

PERSONNEL

TITLE

PERSONNEL

TITLE

COUNTY Fulton

DATE 10 April 89

Stone

F

Crew

S. R. #66

WEATHER Cold

SEC. Fayette

TEMP. 33°

DESCRIPTION

Heavison State Park

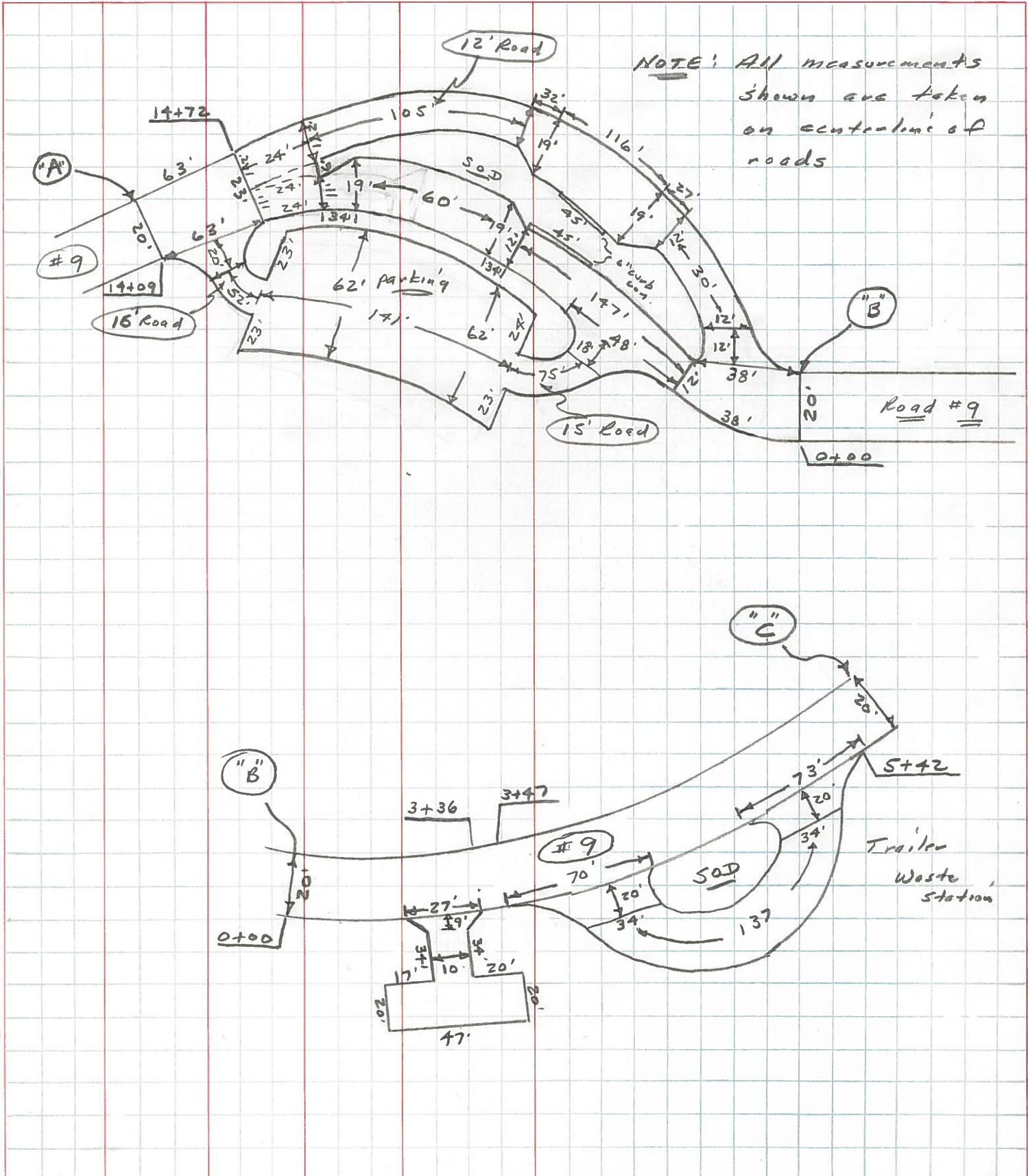
JOB NO.

LEFT

CENTER LINE

RIGHT

NOTE: All measurements shown are taken on centerline of roads



PERSONNEL

TITLE

PERSONNEL

TITLE

COUNTY Fulton

DATE 12 April 89

Stone
5

S. R. #66

WEATHER Cold

Crew

SEC. Fayette

TEMP. 35°

DESCRIPTION

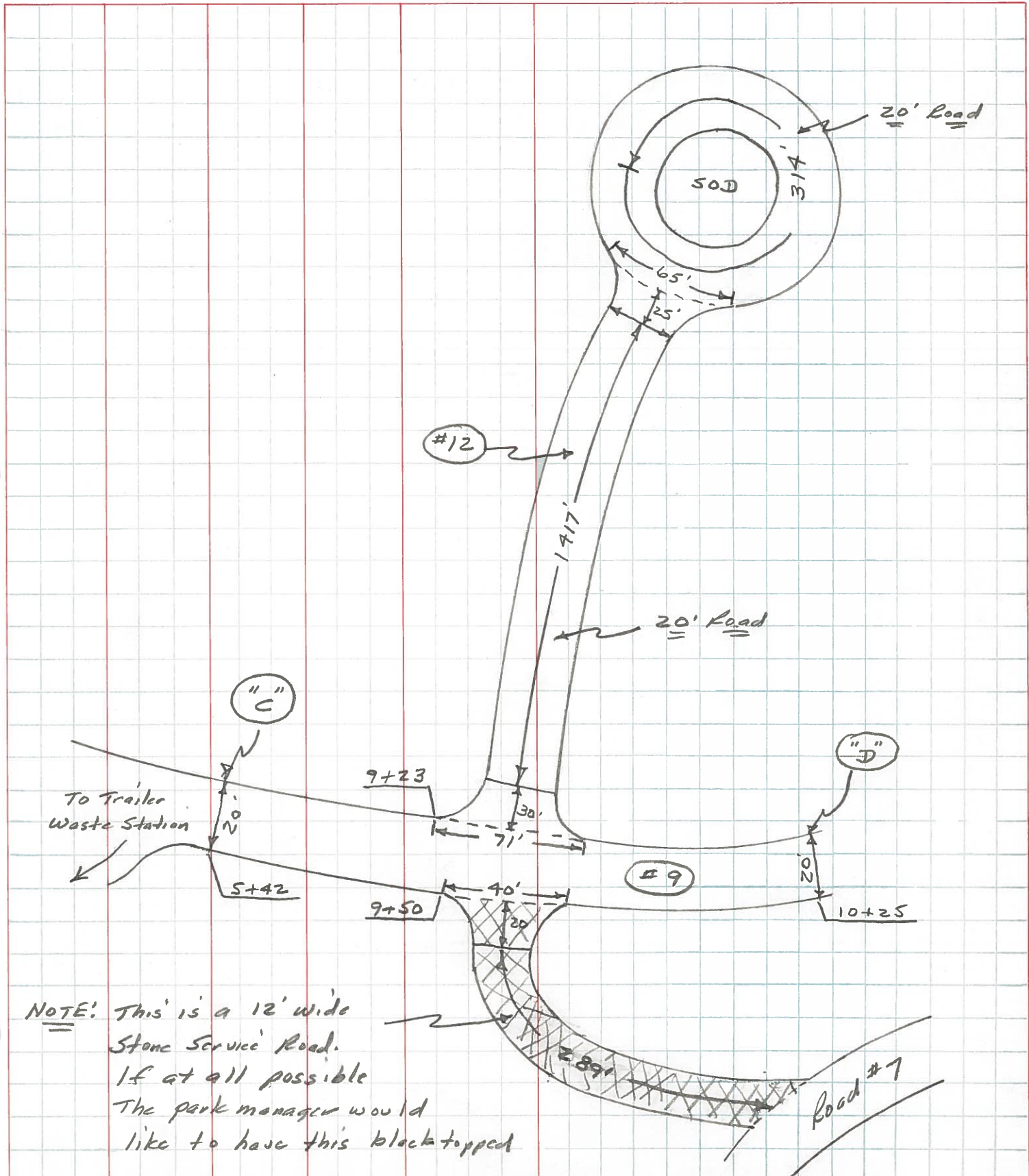
Harrison State Park

JOB NO.

LEFT

CENTER LINE

RIGHT



NOTE! This is a 12' wide Stone Service Road. If at all possible The park manager would like to have this black topped

PERSONNEL

TITLE

PERSONNEL

TITLE

COUNTY Fulton

DATE 10 April 89

Stone

+

Crews

S. R. #66

WEATHER Cold

SEC. Fayette

TEMP. 35°

DESCRIPTION

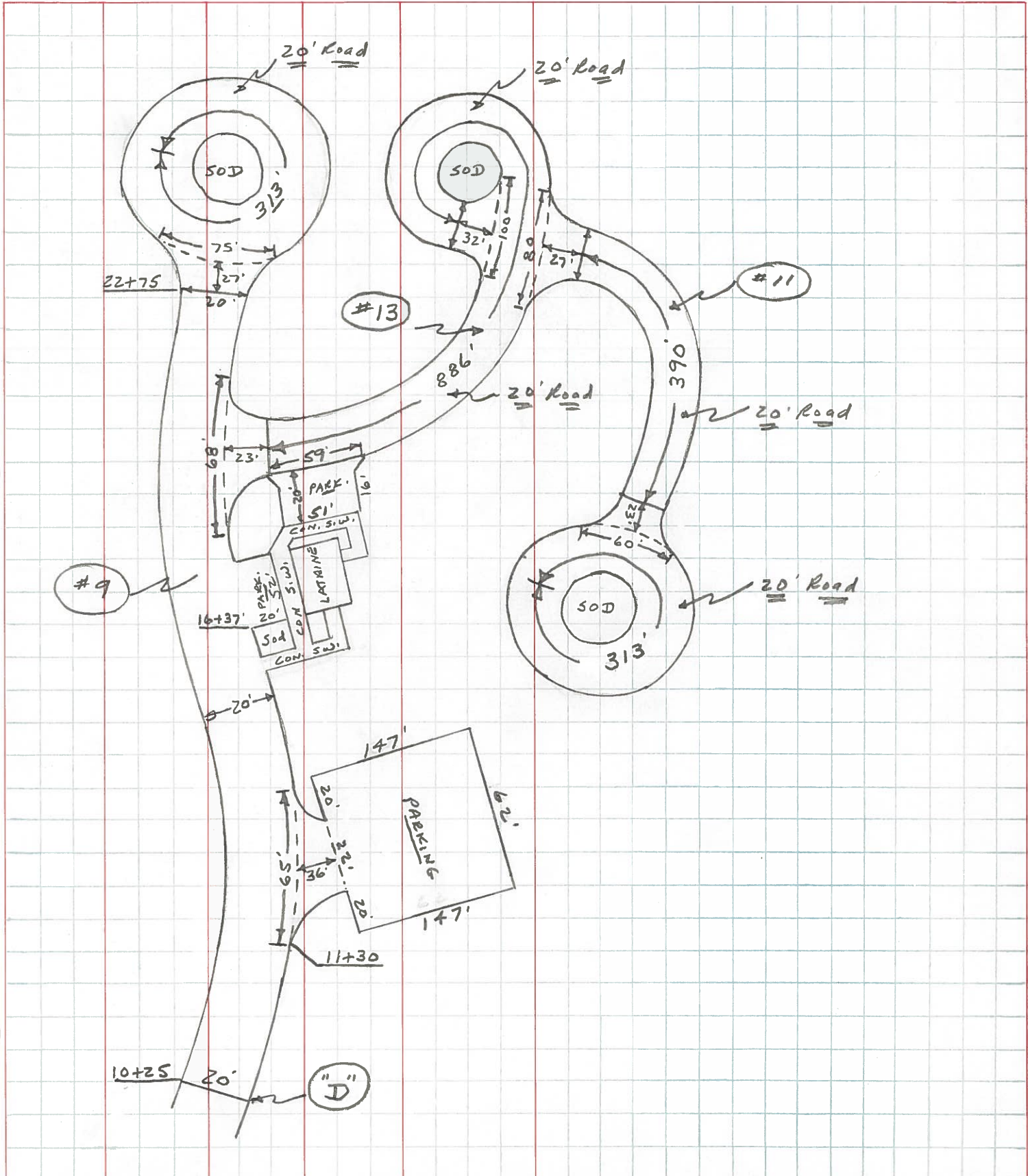
Harrison State Park

JOB NO.

LEFT

CENTER LINE

RIGHT



PERSONNEL

TITLE

PERSONNEL

TITLE

COUNTY Fulton

DATE 13 April 89

Stone

&

Crew

S. R. #66

WEATHER Cool

SEC. Fayette

TEMP. 45°

DESCRIPTION

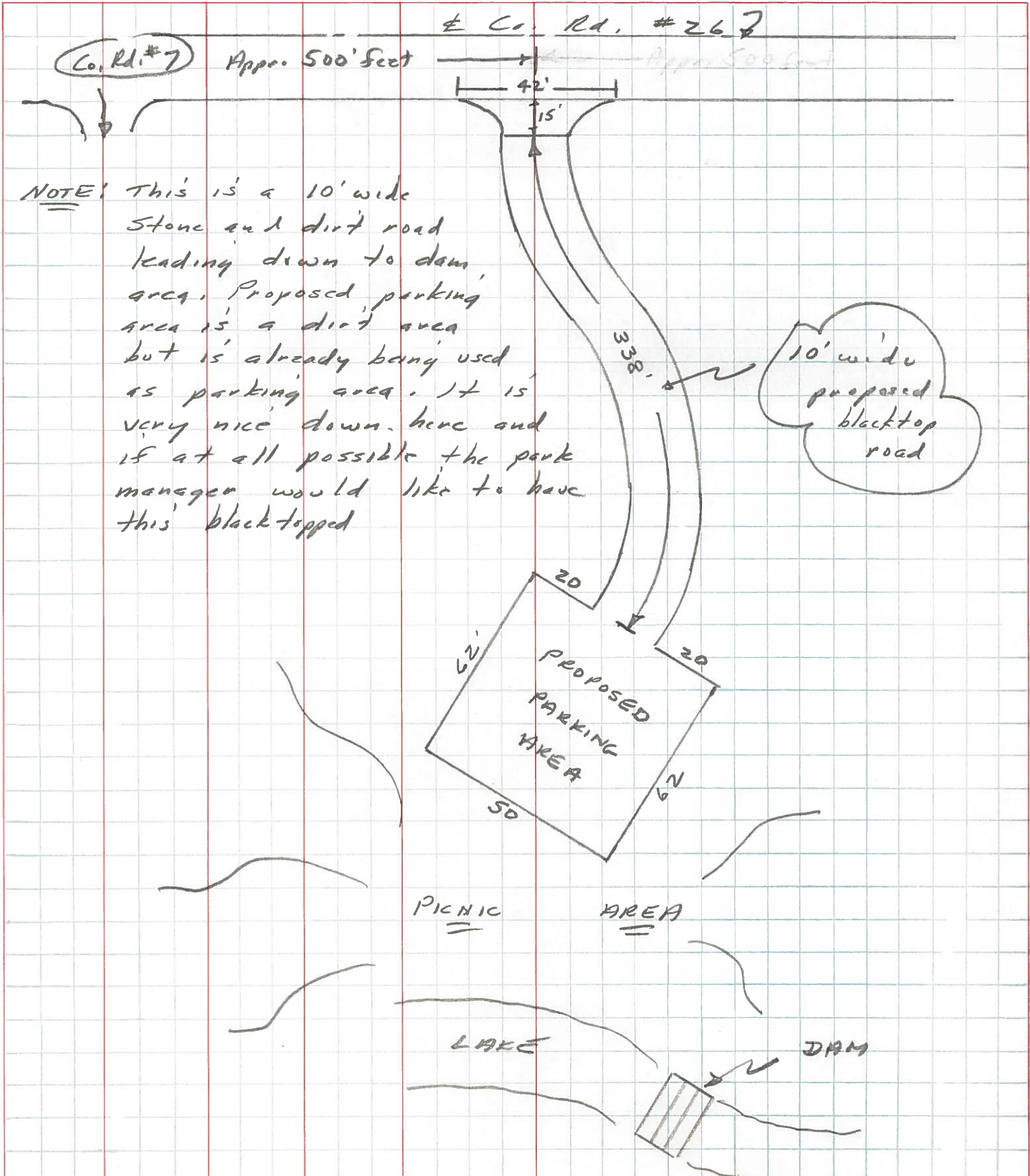
Harrison State Park

JOB NO.

LEFT

CENTER LINE

RIGHT



PERSONNEL

TITLE

PERSONNEL

TITLE

COUNTY FULTON

DATE 4-18-89

STONE

+

CREW

S. R. #66

WEATHER MILD

SEC. Fayette

TEMP. 40°

DESCRIPTION

HARRISON LAKE STATE PARK CAMPING PADS

JOB NO.

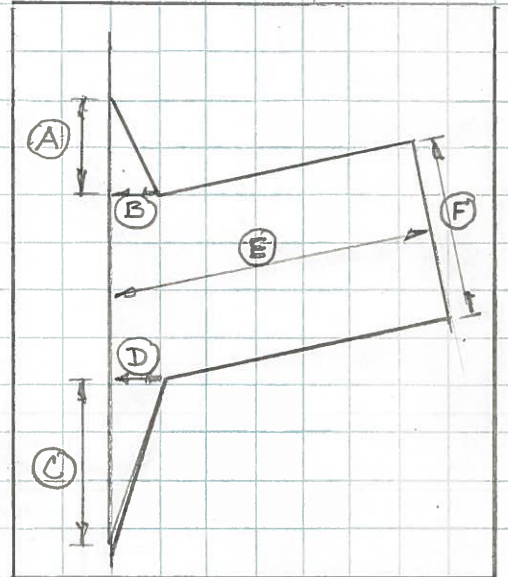
LEFT

CENTER LINE

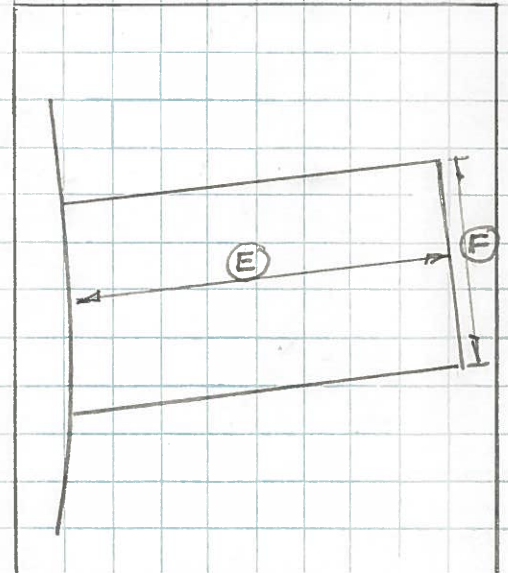
RIGHT

PAD #	A	B	C	D	E	F
1	7	10	11.5	10	47	10
5	6.5	8	11	13	49	8
10	6	8	11.5	14	47.5	10
15	5	6.5	16.5	10	47.5	9
20	5.5	7.5	13.5	12.5	45	9
25	—	—	—	—	45	10
30	5	6	14.5	8	48	9
35	6	7	16.5	15	48.5	9
40	5	8	15.5	10.5	48	9
45	4	6	14	18	46	9
50	4	8.5	13.5	13.5	46.5	9
55	8	7.5	12.5	10	45.5	10
60	6	9	13	11	48.5	9
65	5.5	5.5	10	10	45.5	10
70	—	—	—	—	56	9
75	—	—	—	—	52	9
80	5	6.5	10.5	8.5	46.5	8.5
85	7.5	7.5	12	8	46.5	9
90	6	7	16	10.5	47	9
95	7	7	18	13	48.5	8.5
100	—	—	—	—	49	9
105	7	7.5	13	11	47	9
110	2	7	10	11	47	9
115	5	7	11	9	55	9
120	—	—	—	—	52	9
125	4	7	17	12	47	9

KEY #1 - STANDARD



KEY #2 - FOR PADS IN CULDESACS



ROAD #	SITE NO'S	KEY #1	KEY #2	TOTAL PADS
12	1-51	44	7	51
9	52-88	31	6	37
13	89-109	16	5	21
11	110-126	10	7	17
		<u>101</u>	<u>25</u>	<u>126</u>

PERSONNEL	TITLE	PERSONNEL	TITLE	COUNTY	DATE
Stone				Fulton	10 May 89
&				#66	WEATHER Cool
Crew				SEC. Fayette	TEMP. 53°
DESCRIPTION				Tape - Harrison State Park	JOB NO.
LEFT		CENTER LINE		RIGHT	

