

O.D.O.T. DISTRICT 2 SURVEY OFFICE (USE ONLY)

PERSONNEL _____

REFERENCE NO. 37 A

SHEET 41 OF 47

NOTES HOFFMAN DATE 10/15/84

H.C. LOEHRKE WEATHER CLOUDY

R.C. HOUSEHOLDER TEMP. 60°

ROUTE _____ TR R

COUNTY HENRY

TOWNSHIP NAPOLEON

SECTION 12

DWG BY NIESE PID _____

T 5 N R 6 E

TYPE MONUMENT _____ IPIPE _____

~~ON SURFACE~~ - BELOW 7"

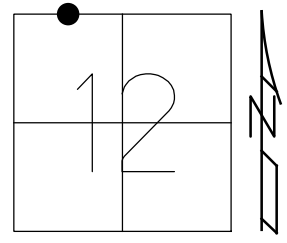
OFFSET C PAVEMENT _____ LT : RT

_____ TO _____ EDGE PAVEMENT

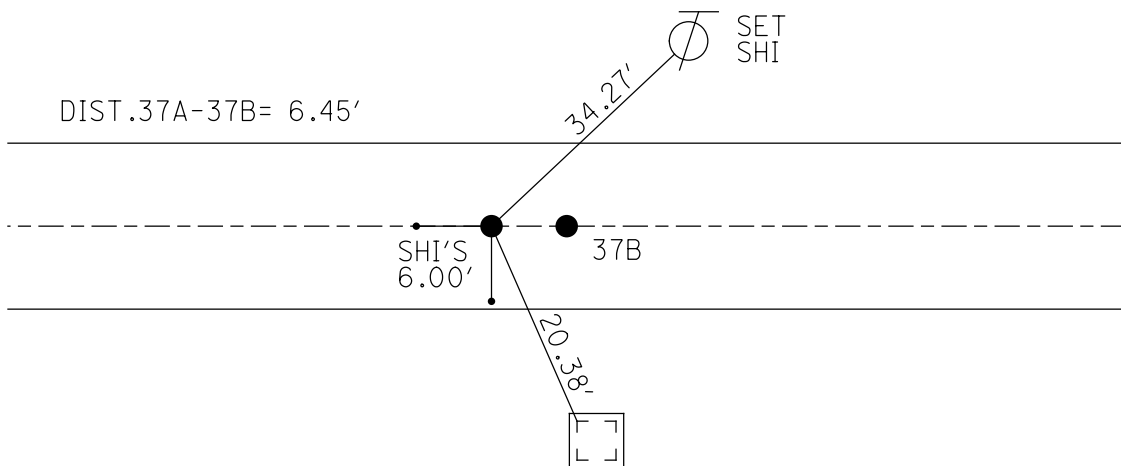
STATION: _____

HORZ. DATUM: _____ GEOID: _____

GRID: NORTHING: _____ EASTING: _____



RECORD:
FD IPIPE
7" DOWN
10/15/84, CL



NEAR SIDE OF
NW LEG OF TOWER
ABOVE STEEL BASE

O.D.O.T. DISTRICT 2 SURVEY OFFICE

PERSONNEL _____

REFERENCE NO. _____

SHEET 1 OF 1

NOTES Hoffman

H.C. LOAN PIPE

R.C. Householder

DATE 10-15-84

WEATHER Cloudy

TEMP. 60°

ROUTE TWP. Rd. "R"

COUNTY Henry

TOWNSHIP Napoleon

SECTION 12

TS N R 6 E

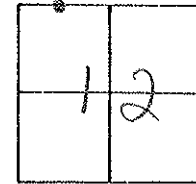
TYPE MONUMENT I. PIPE = "A"

~~ON SURFACE = BELOW~~ 7"

LEFT - ☉ PAV'T. - RIGHT _____

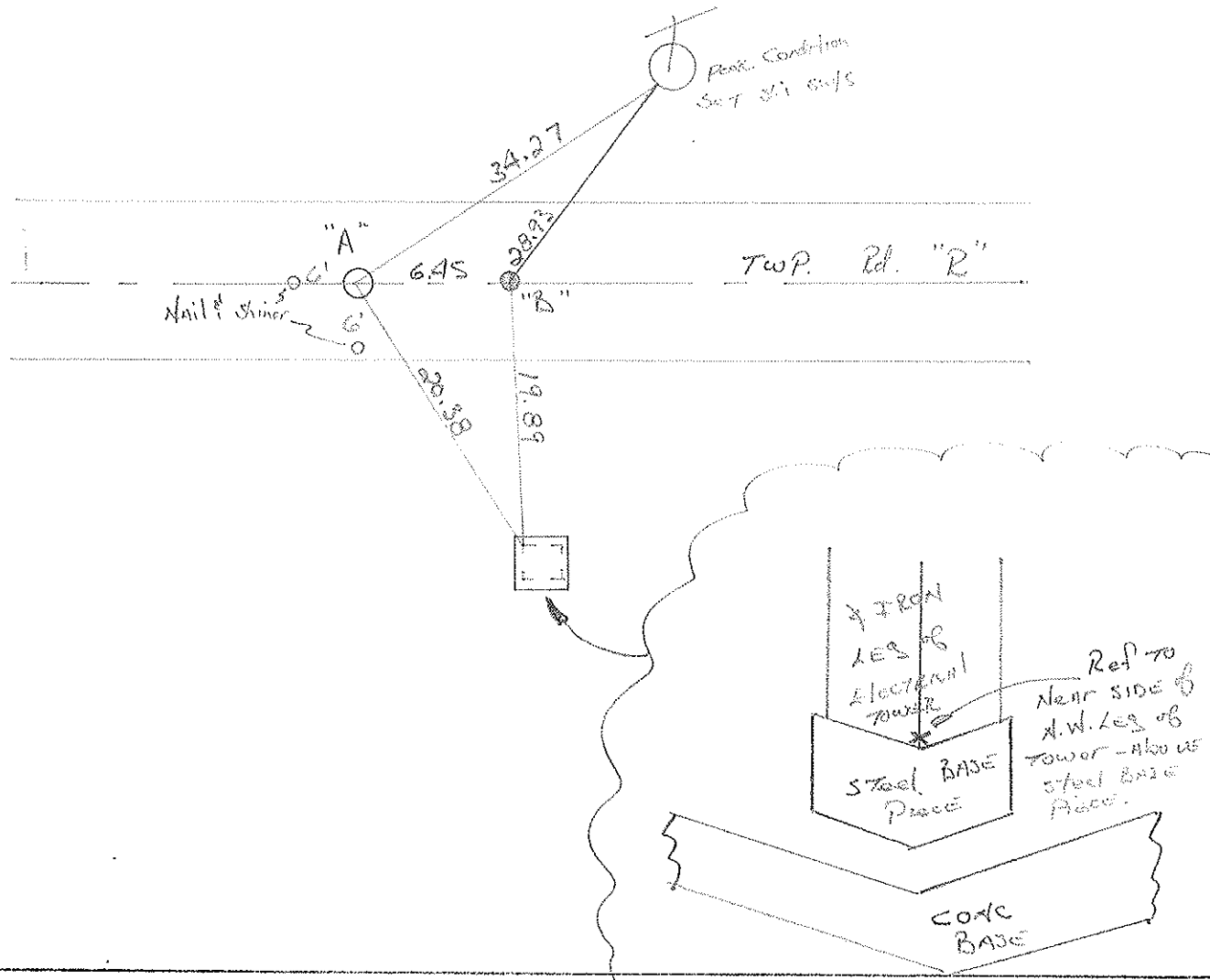
TO _____ EDGE PAVEMENT

S.L.M. _____



"B" = FD I. Rod 4 1/2" below surface
ORIGIN UNKNOWN

[Handwritten signature]



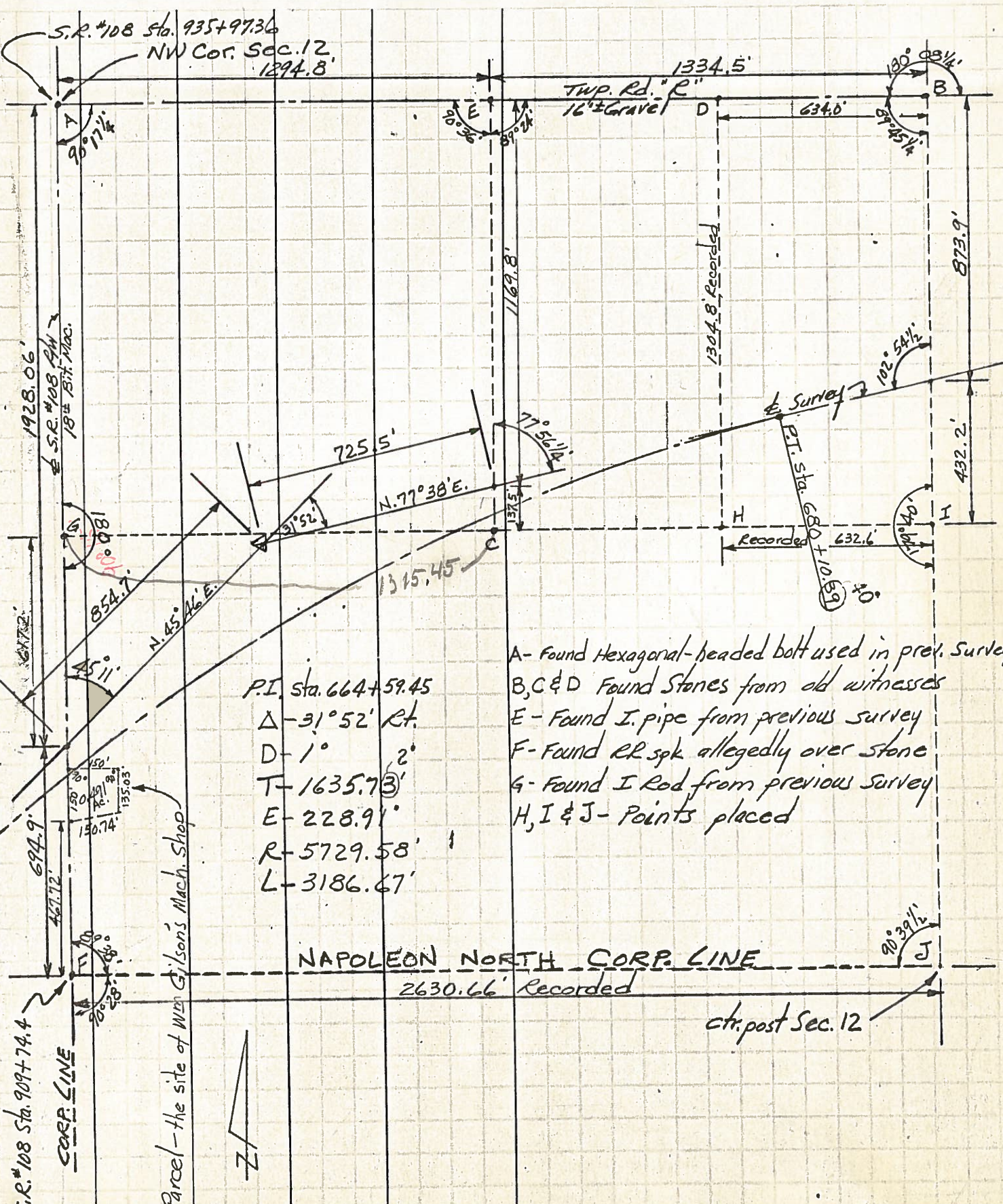
PERSONNEL TITLE PERSONNEL TITLE
Beach

COUNTY *Henry* DATE *Mar. 1961*

S. R. *45th & 0th 24 Bypass* WEATHER

SEC. *NW 1/4 Sec. 12* TEMP.

DESCRIPTION *NAPOLEON TWP, T-5-N R-6-E* JOB NO.



- P.I. Sta. 664+59.45
- Δ - 31° 52' Rt.
- D - 1° 2'
- T - 1635.73'
- E - 228.91'
- R - 5729.58'
- L - 3186.67'

A - Found Hexagonal-headed bolt used in prev. Surveys
 B, C & D Found Stones from old witnesses
 E - Found I. pipe from previous survey
 F - Found er. spk allegedly over stone
 G - Found I Rod from previous survey
 H, I & J - Points placed

NAPOLEON NORTH CORP. LINE

2630.66' Recorded

ctr. post Sec. 12

S.R. #108 Sta. 909+74.4

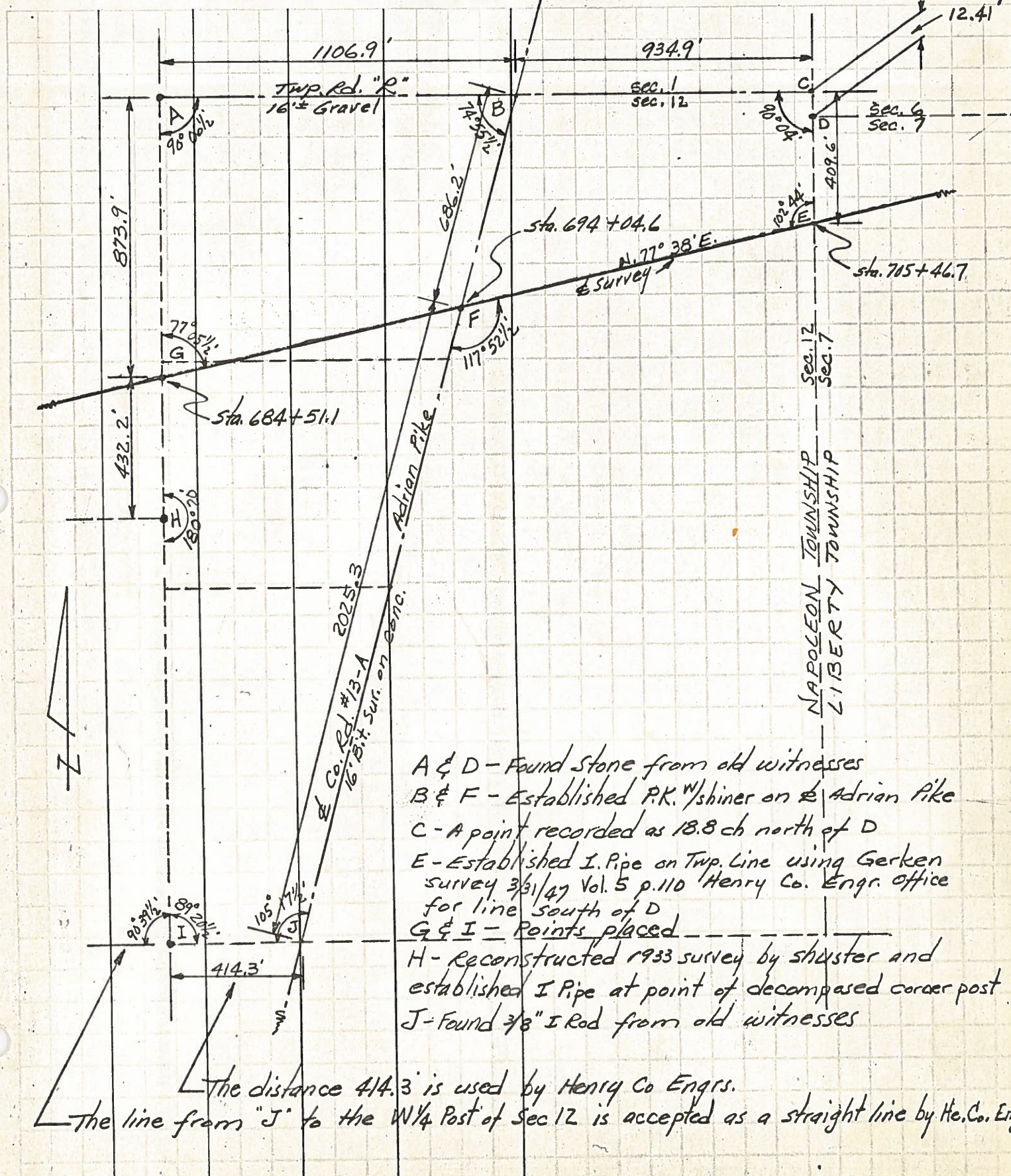
CORP. LINE

Parcel - the site of Wm. Gilson's Mach. Shop



PERSONNEL TITLE PERSONNEL TITLE COUNTY Henry DATE March 1961
Beach _____
 S. R. US #6 & US #24 Bypass WEATHER _____
 SEC. NE 1/4 Sec. 12 TEMP. _____

DESCRIPTION Napoleon Twp. LEFT CENTER LINE RIGHT JOB NO.



A & D - Found Stone from old witnesses
 B & F - Established P.K. w/shiner on & Adrian Pike
 C - A point recorded as 18.8 ch north of D
 E - Established I. Pipe on Twp. Line using Gerken survey 3/31/47 Vol. 5 p.110 Henry Co. Engr. office for line south of D
 G & I - Points placed
 H - Reconstructed 1933 survey by Shuster and established I Pipe at point of decomposed corner post
 J - Found 3/8" I Rod from old witnesses

The distance 414.3 is used by Henry Co Engrs.
 The line from "J" to the W 1/4 Post of Sec. 12 is accepted as a straight line by Ho. Co. Engr