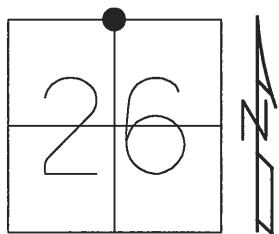


O.D.O.T. DISTRICT 2 SURVEY OFFICE (USE ONLY)

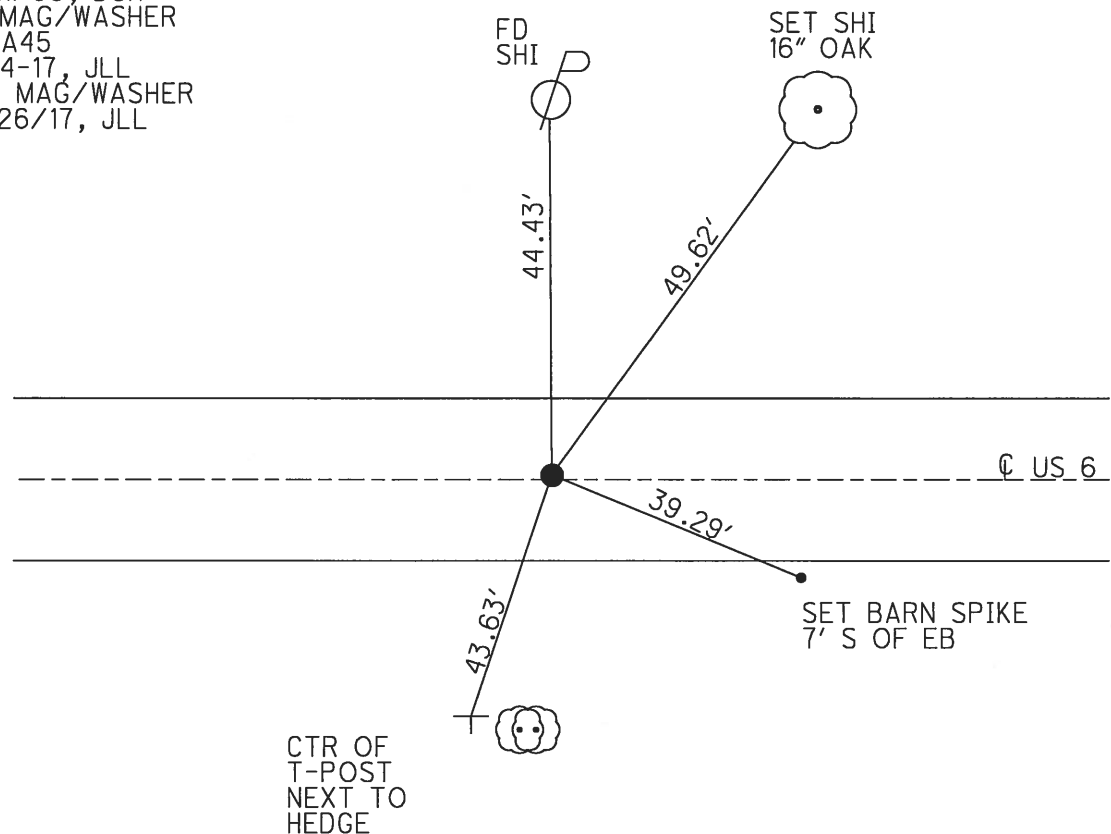
PERSONNEL _____ REFERENCE NO. 45 A SHEET 7 OF 24
 NOTES RHOADES DATE 4/24/17 ROUTE US 6
 H.C. LEU WEATHER SUNNY COUNTY HENRY
 R.C. HELDMAN TEMP. 55° TOWNSHIP HARRISON
 _____ SECTION 26
 _____ T 5 N R 7 E

TYPE MONUMENT MAG/WASHER
 ON SURFACE - ~~BELOW~~ ON
 LEFT - ☉ PAV'T - ~~RIGHT~~ 2.5'
9.2' TO LT EDGE PAVEMENT
 S.L.M. 1076+25.31



GRID: NORTHING: 624542.7092 EASTING: 1548960.868

RECORD:
 SET MAG/WASHER
 4/21/03, DCH
 FD MAG/WASHER
 REFA45
 4-24-17, JLL
 SET MAG/WASHER
 10/26/17, JLL



O.D.O.T. DISTRICT 2 SURVEY OFFICE (USE ONLY)

PERSONNEL

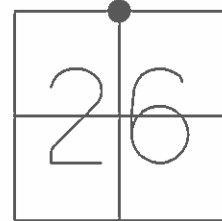
REFERENCE NO. 45 A SHEET 2 OF 18

NOTES HOMAN
 H.C. ROUSOS
 R.C. BEAUMONT
CHLEBECK

DATE 7/18/02
 WEATHER SUNNY
 TEMP. 80°

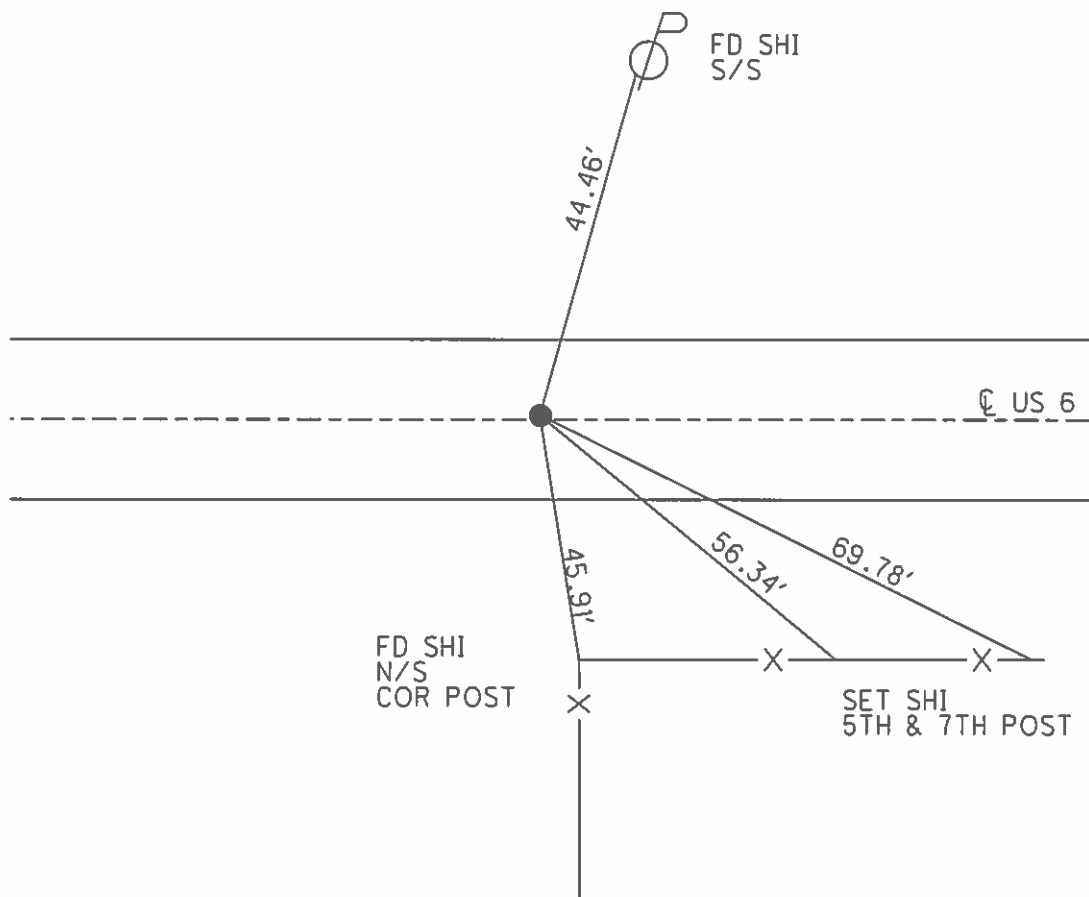
ROUTE US 6
 COUNTY HENRY
 TOWNSHIP HARRISON
 SECTION 26
T 5 N R 7 E

TYPE MONUMENT SM.R.R.SPIKE
 ON SURFACE - ~~BELOW~~ ON
 LEFT - ☉ PAV'T - ~~RIGHT~~ 2.5'
9.2' TOLT EDGE PAVEMENT
 S.L.M. 1078+27



GRID: NORTHING: _____ EASTING: _____

SET MAG/WASHER
 4/21/03, DCH



O.D.O.T. DISTRICT 2 SURVEY OFFICE

PERSONNEL

REFERENCE NO. 45-A

SHEET 2 OF

NOTES HOFFMAN

H.C. BARNHISEL

R.C. LOSHRKE

DATE 4-8-88

WEATHER CLEAR

TEMP. 40°

ROUTE US 6

COUNTY HENRY

TOWNSHIP HARRISON

SECTION 26

T. S N. R 7 E

TYPE MONUMENT P.K. Nail

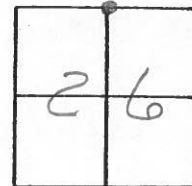
*Set small RR spikes
6-20-88 SWA*

ON SURFACE - ~~BELOW~~ YES

LEFT- ~~&~~ PAV'T. - ~~RIGHT~~ 2.5'

9.2 TO LT EDGE PAVEMENT

S.L.M. 963+69



1078+27

