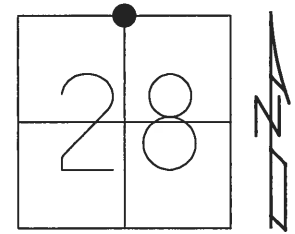


O.D.O.T. DISTRICT 2 SURVEY OFFICE (USE ONLY)

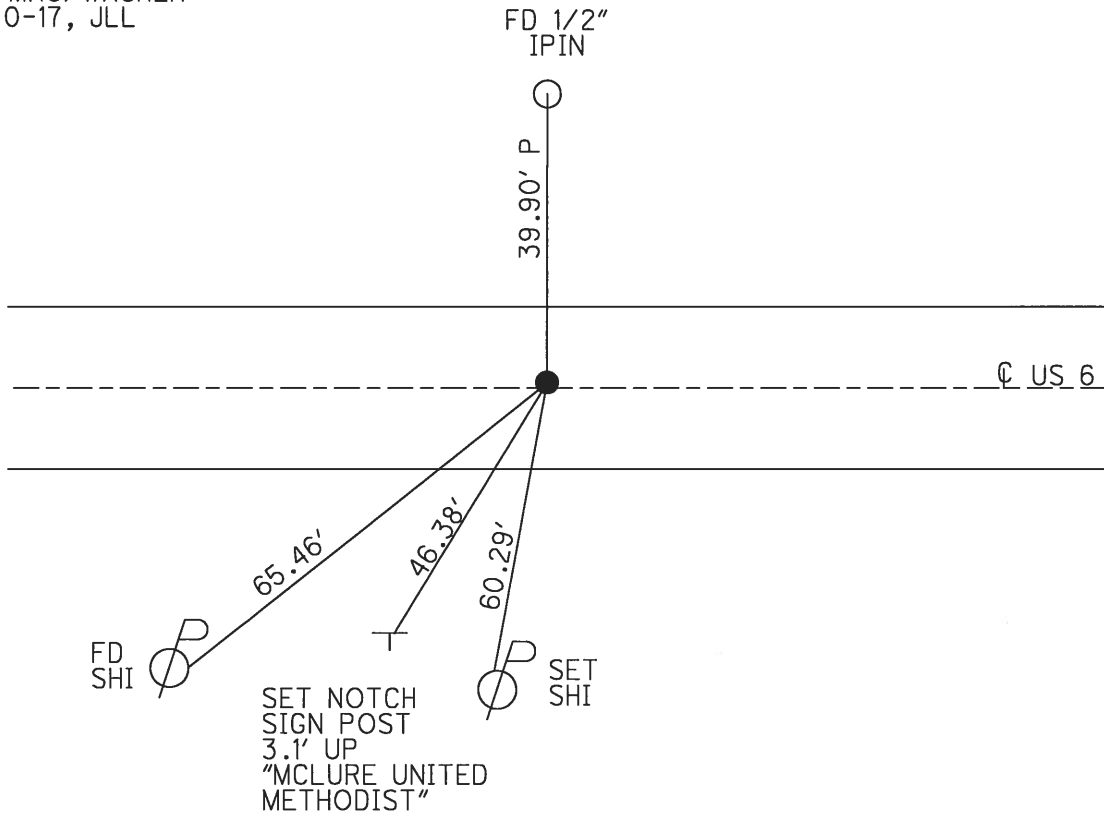
PERSONNEL _____ REFERENCE NO. 53 SHEET 16 OF 24
 NOTES HELDMAN DATE 4/20/17 ROUTE US 6
 H.C. LEU WEATHER PARTLY CLOUDY COUNTY HENRY
 R.C. HELDMAN TEMP. 79° TOWNSHIP DAMASCUS
 _____ SECTION 28
 _____ T 5 N R 8 E

TYPE MONUMENT MAG/WASHER
 ON SURFACE - ~~BELOW~~ ON
 LEFT - ℄ PAV'T - ~~RIGHT~~ 0.4'
12' TO LT EDGE PAVEMENT
 S.L.M. 1289+04.26



GRID: NORTHING: 624381.3986 EASTING: 1570235.527

RECORD:
 SET MAG/ WASHER
 4-21-03, DCH
 FD MAG NAIL
 REF53
 4/20/17, JLL
 SET MAG/WASHER
 10-30-17, JLL

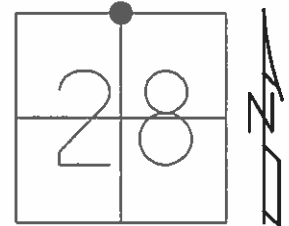


O.D.O.T. DISTRICT 2 SURVEY OFFICE (USE ONLY)

PERSONNEL _____ REFERENCE NO. 53 SHEET 10 OF 18

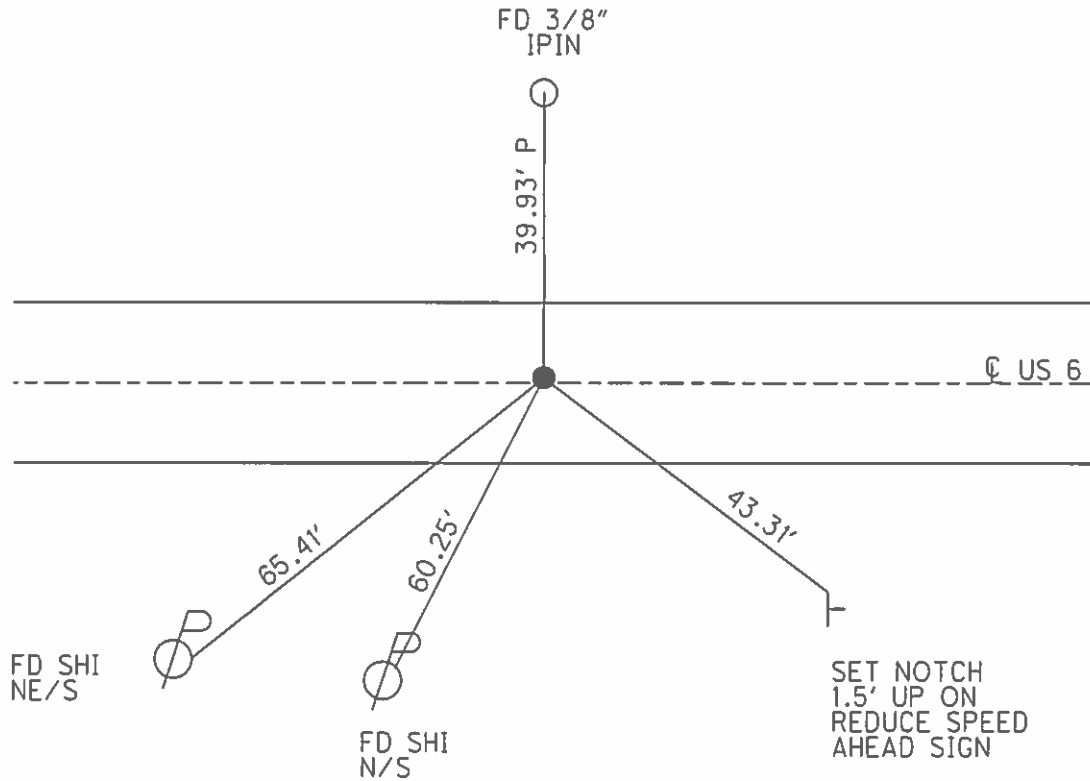
NOTES	<u>HOMAN</u>	DATE	<u>7/18/02</u>	ROUTE	<u>US 6</u>
H.C.	<u>ROUSOS</u>	WEATHER	<u>SUNNY</u>	COUNTY	<u>HENRY</u>
R.C.	<u>BEAUMONT</u>	TEMP.	<u>80°</u>	TOWNSHIP	<u>DAMASCUS</u>
	<u>CHLEBECK</u>			SECTION	<u>28</u>
				T	<u>5</u> N R <u>8</u> E

TYPE MONUMENT SM.R.R.SPIKE
 ON SURFACE - ~~BELOW~~ ON _____
 LEFT - ☉ PAV'T - RIGHT ON _____
12' TO LT EDGE PAVEMENT
 S.L.M. 1291+04



GRID: NORTHING: _____ EASTING: _____

SET MAG/ WASHER
 4-21-03, DCH



O.D.O.T. DISTRICT 2 SURVEY OFFICE

PERSONNEL _____

REFERENCE NO. 53

SHEET 10 OF _____

NOTES HOFFMAN

H.C. BARNHISEL

R.C. LOCHRE

DATE 4-8-88

WEATHER CLEAR

TEMP. 40°

ROUTE US 6

COUNTY HENRY

TOWNSHIP DAMASCUS

SECTION 28

T5 N R 8 E

TYPE MONUMENT P.K. Nail

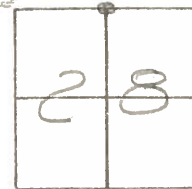
ON SURFACE - ~~BELOW~~ YES

LEFT- & PAV'T. - RIGHT YES

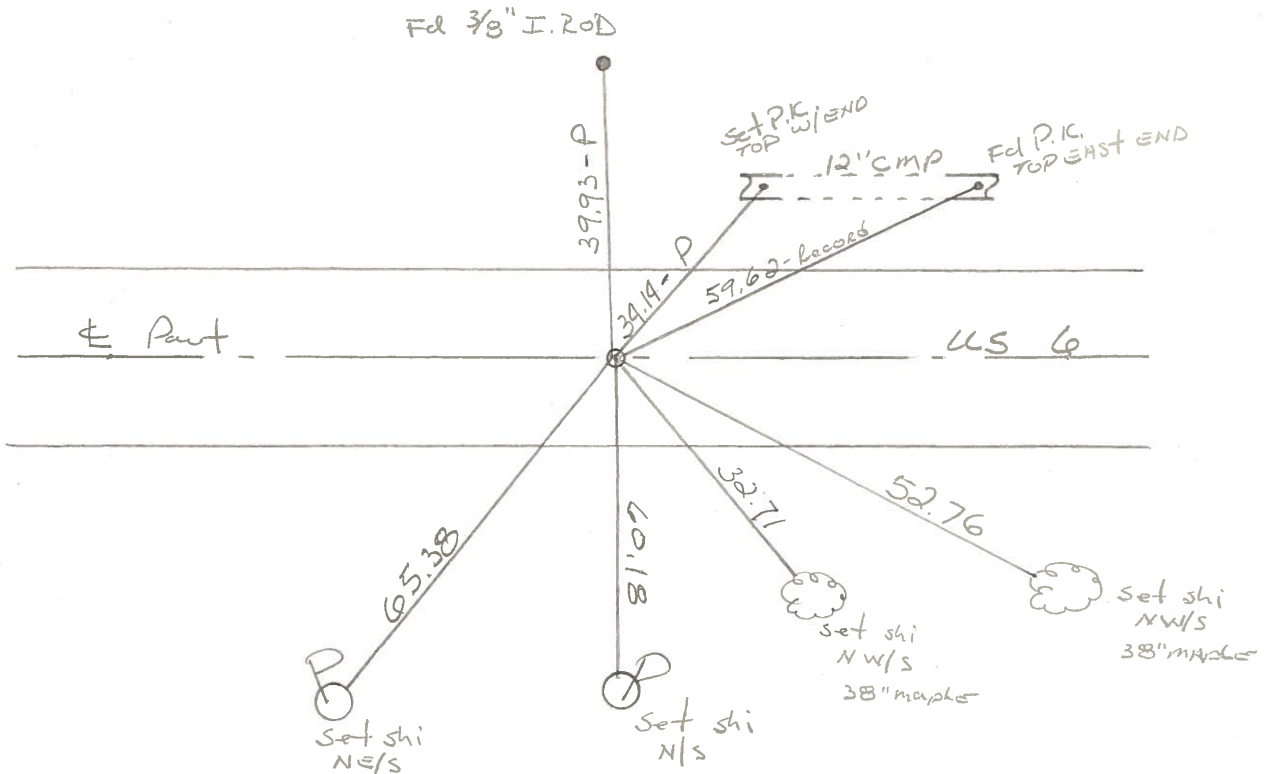
11.9 TO LT EDGE PAVEMENT

S.L.M. 1178+46 1176+46

Set small RR spike
6-20-88 SWA



~~1293+04~~
1291+04 SWA



PERSONNEL	TITLE	PERSONNEL	TITLE
BURNSIDE			
SMITH			
BOWERS			
HOLCOMBE			

COUNTY HENRY DATE 5-26-71
 S. R. U.S. #6 WEATHER LT. RAIN
 SEC. McCLURE, O TEMP. +48°

DESCRIPTION _____ LEFT _____ CENTER LINE _____ RIGHT _____ JOB NO. _____

53



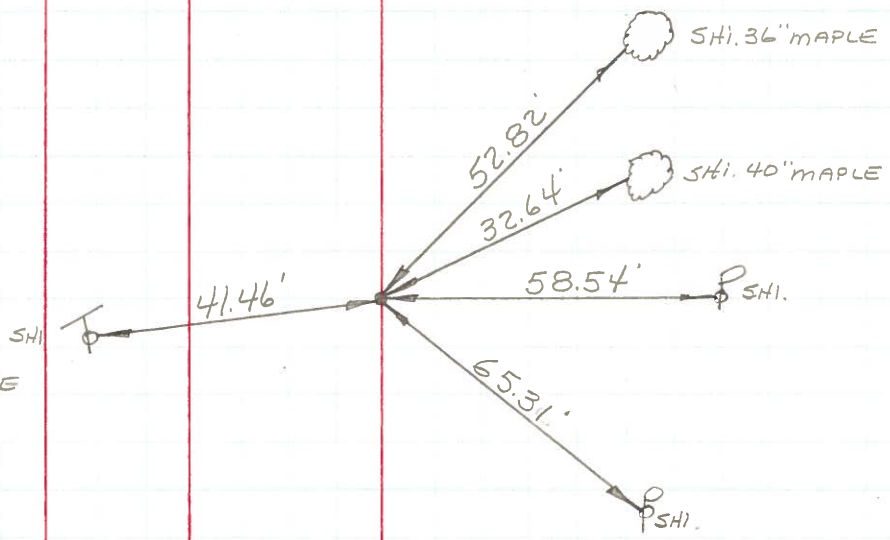
1072

WEST CORP. LINE
McCLURE OHIO

BRASS MON. @ SURFACE

?

N. 1/4 COR. SEC 28
DAMASCUS TWP



PERSONNEL	TITLE	PERSONNEL	TITLE	COUNTY	DATE	WEATHER	TEMP.
Jameson	notes	Robinson		Henry	9-19-57	Cloudy	75°
Burnside				S. R. 11.5 6			
Williams				SEC.			
Metzger							
DESCRIPTION	Witness to Mon's			JOB NO.			
	LEFT	CENTER LINE	RIGHT				

53

