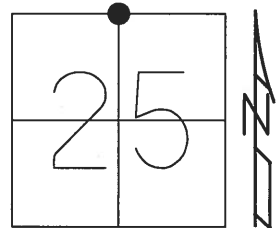


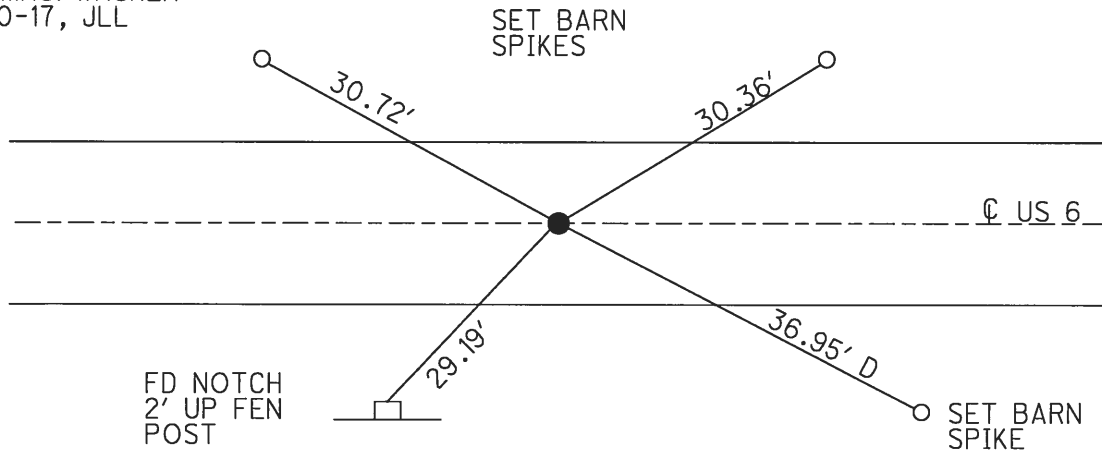
O.D.O.T. DISTRICT 2 SURVEY OFFICE (USE ONLY)

PERSONNEL _____ REFERENCE NO. 59 SHEET 22 OF 24
 NOTES RHOADES DATE 4/24/17 ROUTE SR 6
 H.C. LEU WEATHER SUNNY COUNTY HENRY
 R.C. HELDMAN TEMP. 44° TOWNSHIP DAMASCUS
 SECTION 25
 T 5 N R 8 E

TYPE MONUMENT SM.R.R.SPIKE
~~ON SURFACE~~ - BELOW 1"
~~LEFT~~ - ☉ PAV'T - RIGHT 0.5'
12' TO LT EDGE PAVEMENT
 S.L.M. 1448+20.32
 Grid: Northing: 624216.0386 Easting: 1586150.81



RECORD:
 FD BRASS MON
 2 1/2" BELOW
 SET SQ.HEAD SPIKE
 5-18-82, SH
 SET P.K./WASHER
 10-10-96, SAH
 SET SM.R.R.SPIKE
 6-20-88, SWH
 FD P.K NAIL
 REF59
 4-24-17, JLL
 SET MAG/WASHER
 10-30-17, JLL



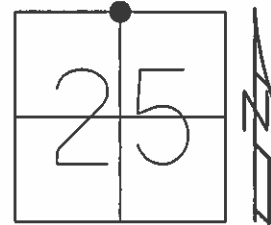
NOTES:
 SET R.R.SPIKE, USING 1' OFFSETS,
 OVER BRASS MON. GPS COODINATE
 WAS SHOT ON BRASS MON.
 11/4/15
 N= 624216.017
 E= 1586150.715
 ELEV= 676.758
 HENRY CO. ENGR.
 JUSTIN NIESE

O.D.O.T. DISTRICT 2 SURVEY OFFICE (USE ONLY)

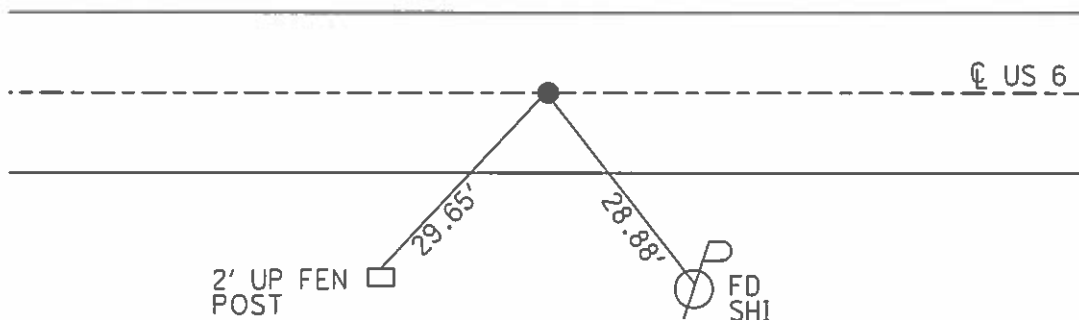
PERSONNEL _____ REFERENCE NO. 59 SHEET 16 OF 18

NOTES HUSS DATE 10/30/01 ROUTE SR 6
 H.C. ROUSOS WEATHER CLOUDY COUNTY HENRY
 R.C. VANDUSEN TEMP. 57° TOWNSHIP DAMASCUS
 SECTION 25
 T 5 N R 8 E

TYPE MONUMENT BRASS MON.
~~ON SURFACE~~ - BELOW 2 1/2"
 LEFT - ☉ PAV'T - RIGHT ON
12' TO LT EDGE PAVEMENT
 S.L.M. 1450.30
 Grid: Northing: - Easting: -



RECORD:
 FD BRASS MON. 2 1/2" BELOW
 SET SQ. HEAD SPIKE
 5/18/82, SH
 SET P.K./WASHER
 10/10/96, SAH
 SET SM.R.R. SPIKE
 6/20/88, SWH



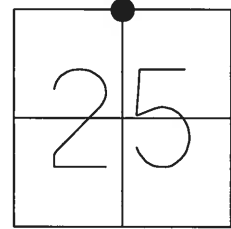
NOTES:
 SET R.R. SPIKE, USING 1' OFFSETS,
 OVER BRASS MON. GPS COORDINATE
 WAS SHOT ON BRASS MON. 11/4/15
 N= 624216.017
 E= 1586150.715
 ELEV= 676.758
 HENRY CO. ENGR.
 JUSTIN NIESE

UPDATED TIES BY HENRY CO:
 30.22' SW TO 5/8" IPIN ON
 N/DITCH BANK BURIED 4",
 28.00' SE TO 5/8" IPIN ON
 N/DITCH BANK BURIED 4",
 30.06' N TO 5/8" CAPPED IPIN
 "WESTHOVEN"

O.D.O.T. DISTRICT 2 SURVEY OFFICE (USE ONLY)

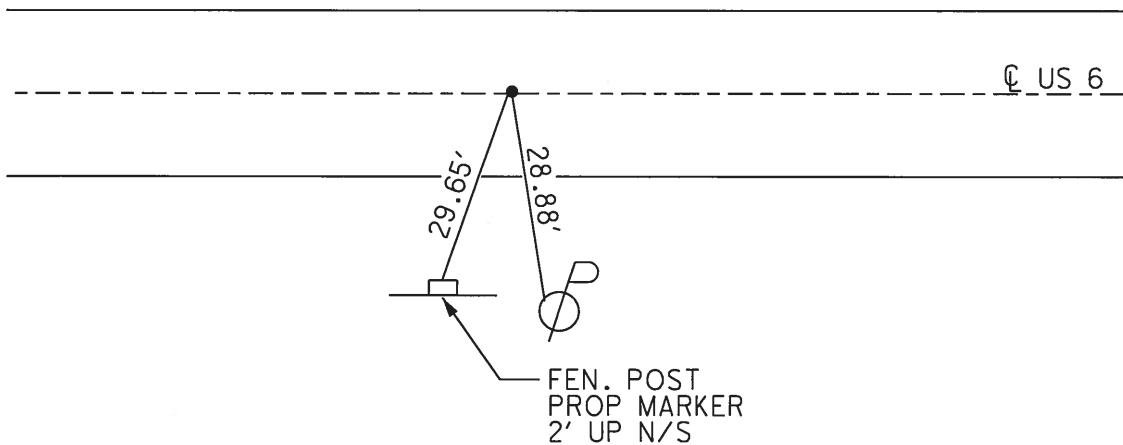
PERSONNEL _____ REFERENCE NO. 59 SHEET 16 OF 17
 NOTES HUSS DATE 10/30/01 ROUTE US 6
 H.C. ROUSOS WEATHER CLOUDY COUNTY HENRY
 R.C. VANDUSEN TEMP. 57° TOWNSHIP DAMASCUS
 _____ SECTION 25
 _____ T 5 N R 8 E

TYPE MONUMENT BRASS MON.
~~ON SURFACE~~ - BELOW 2"
 LEFT - ☉ PAV'T - RIGHT ON
12.0' TO LT EDGE PAVEMENT
 S.L.M. 1450+30



RECORD: FOUND BRASS MON. 2" BELOW
 SURFACE @ ☉ PAVT RESET "☐" HEAD
 SPIKE & WASHER 5-18-82 S.HOFFMAN

SET PK/WASHER TO SURFACE
 10-10-96 SAH



O.D.O.T. DISTRICT 2 SURVEY OFFICE

PERSONNEL _____

REFERENCE NO. 59

SHEET 4 OF 5

NOTES HUSS

H.C. Rousos

DATE 10-30-01

ROUTE U.S. 6

R.C. Van Dusen

WEATHER Cloudy

COUNTY Henry

TEMP. 57°

TOWNSHIP Damascus

SECTION 25

T 5 N R 8 E

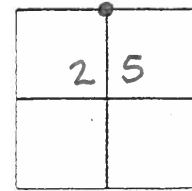
TYPE MONUMENT PK Nail & Washer

ON SURFACE - ~~BELOW~~ Yes

~~LEFT - & PAV'T. - RIGHT~~ On E

12.0' TO Lt EDGE PAVEMENT

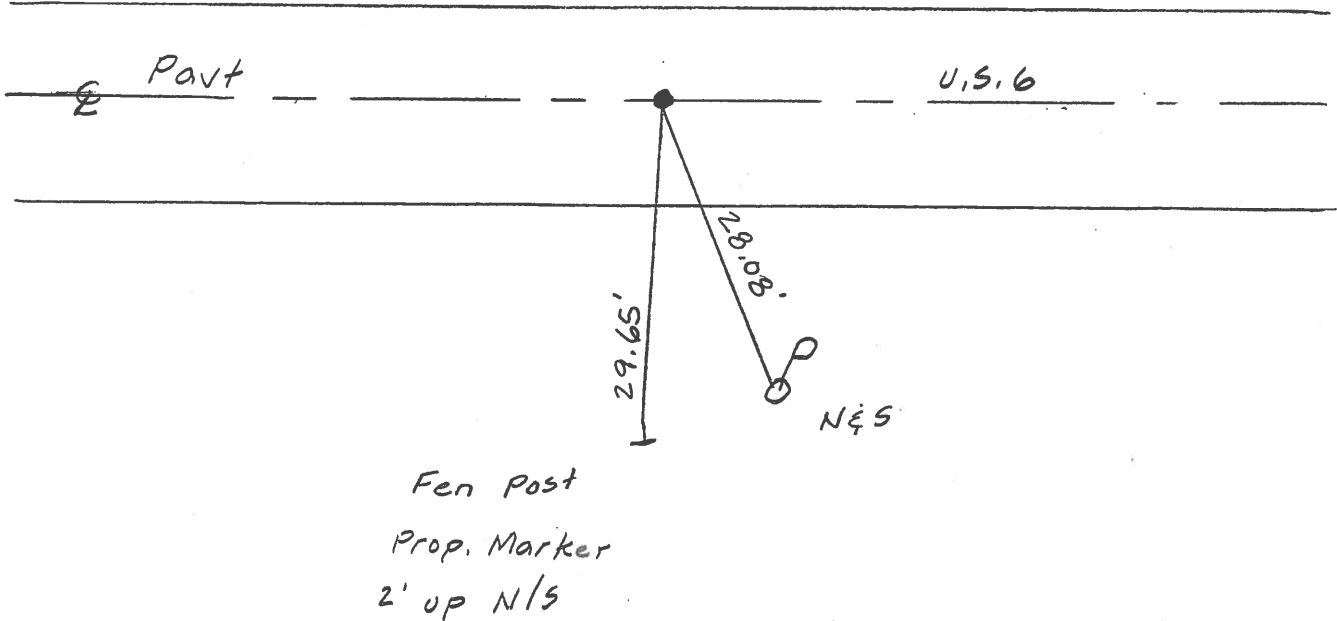
S.L.M. 1450+30



Record:

Found Brass Mon 2 1/2" Below
Surface @ & Pav't

ReSet "□" Head Spk & Washer
5-18-02 Hoffman & Crew



O.D.O.T. DISTRICT 2 SURVEY OFFICE

PERSONNEL _____

REFERENCE NO. 59

SHEET 5 OF 6

NOTES Van Dusen

H.C. Moser

R.C. Huss

DATE 7-31-96

WEATHER Clear

TEMP. +70°F

ROUTE U.S. 6

COUNTY HENRY

TOWNSHIP DAMASCUS

SECTION 25

T 5 N R 8 E

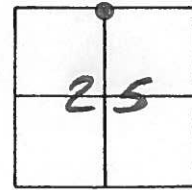
TYPE MONUMENT Brass

~~ON SURFACE~~ - BELOW 2 1/2" below

~~LEFT - & PAV'T - RIGHT~~ on &

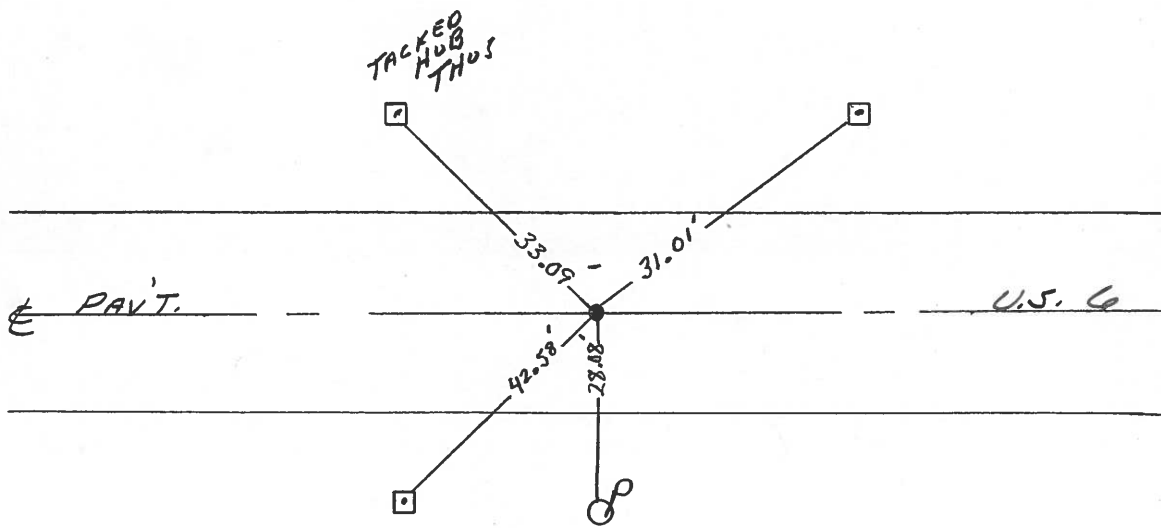
12.00 TO Lt EDGE PAVEMENT

S.L.M. 1450 + 30



RECORD: FOUND BRASS MON. 2 1/2" BELOW SURFACE
@ & PAV'T.
RE-SET □ HEAD SPK. & WASHER
5-18-82
HOFFMAN
&
CREW

Set PK/W to
surface 10-10-96
SAH



O.D.O.T. DISTRICT 2 SURVEY OFFICE

SHEET _____ OF _____

County HENRY S.R. U.S. 6

Township DAMASCUS

Section 25

T5N, R8E

Personnel HOFFMAN

Householder

Loehrke

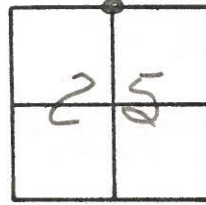
#59

OK-4-23-82

Date 11-18-81

Weather clear

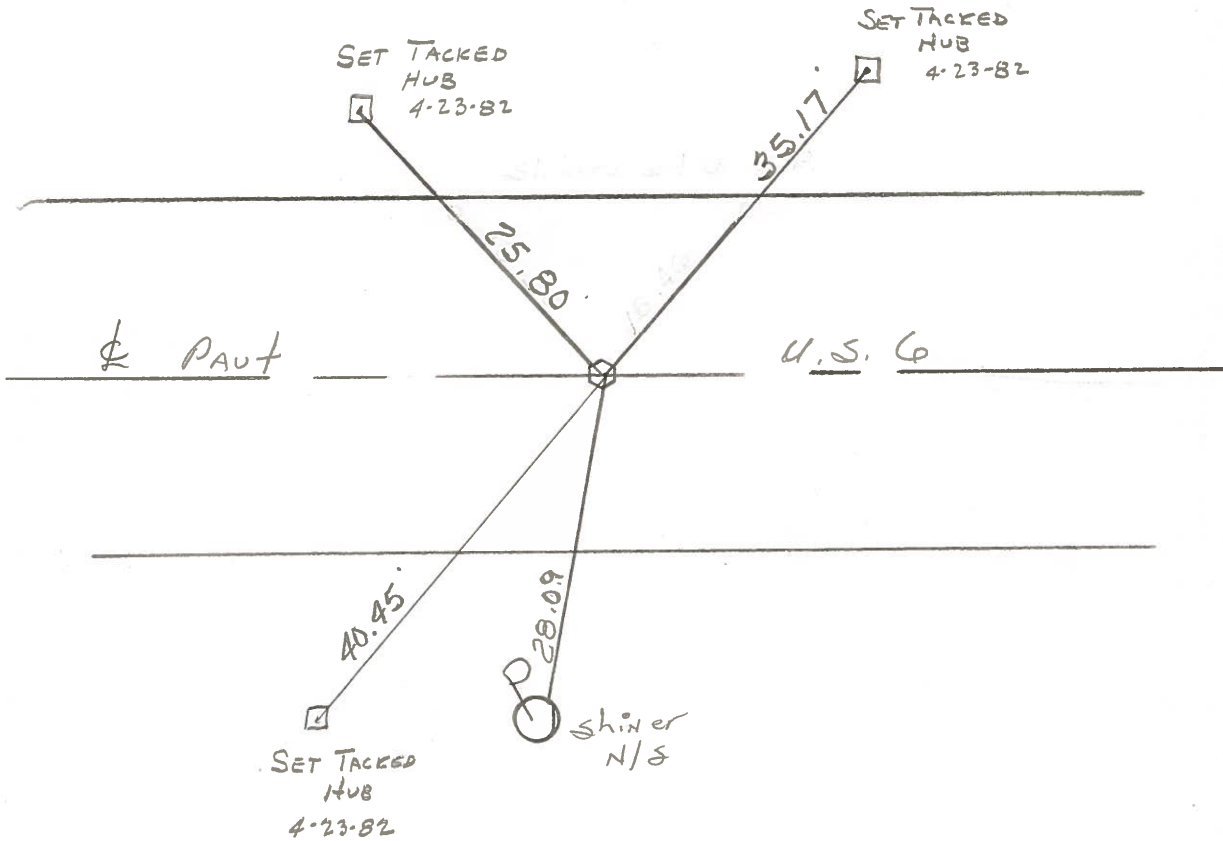
Temp. +45°



Fd BRASS MON. 2 1/2" Below Surface @ & PAUT.

Project stat ± 1325+32

RE-SET "□" HEAD SPRINKLER
5-18-82
HOFFMAN
&
CREW



ODQT. DISTRICT 2 SURVEY OFFICE

SHEET _____ OF _____

County HENRY S.R.U.S. 6

Date OK-4-23-82
11-18-81

Township DAMASCUS

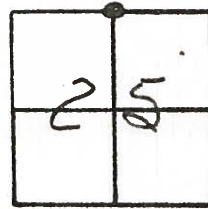
Weather clear

Section 25

Temp. +45°

T5N, R8E

Personnel HOFFMAN



Householder

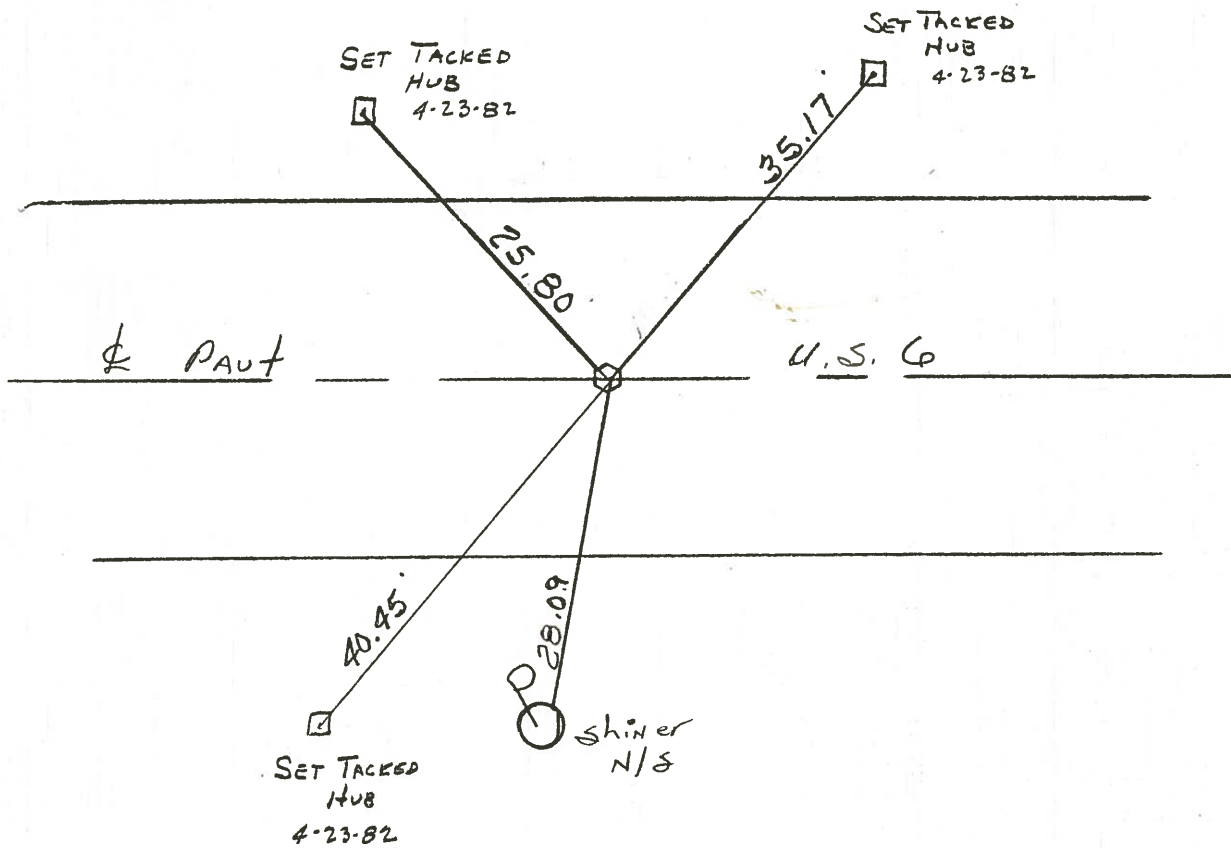
Loehrke

#59

Fd Brass mon. 2 1/2" Below Surface
@ & PAUT.

Project stat ± 1325+32

Set 2" "□" Head SPIK washer
5-18-82
SWH



| PERSONNEL | TITLE | PERSONNEL | TITLE |
|-----------|--------|-----------|-------|
| BURNSIDE | | | |
| SHAW | E.I.T. | | |

COUNTY HENRY DATE 6-1-71

S. R. U.S. 6 WEATHER Cloudy

SEC. TEMP. +72°

DESCRIPTION LEFT CENTER LINE RIGHT JOB NO.

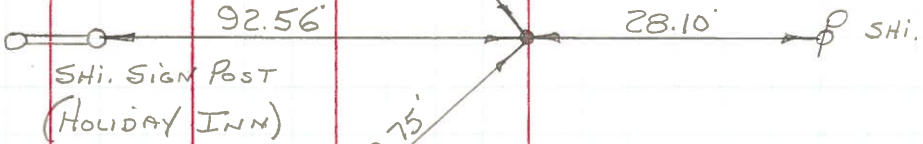
59



N. 1/4 COR. SEC. 25
DAMASCUS TWP.

K-10-72

BRASS MON.
1' DEEP



SHI. SIGN POST
(HOLIDAY INN)

Recorded in Mon. Book. 1954

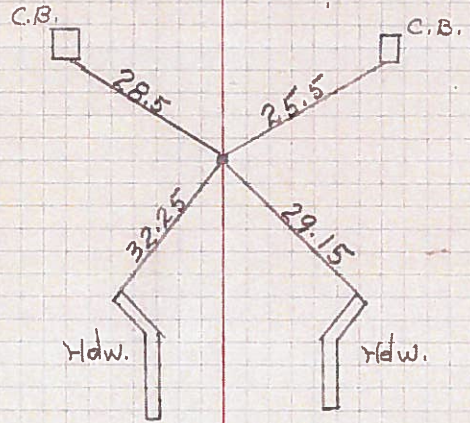
Date _____ County Henry Sheet No. 1

Weather _____ S. R. No. U.S. # 6 Section _____ Job No. 02111

CORNER STAKES DAMASCUS Twp Henry Co U.S. # 6

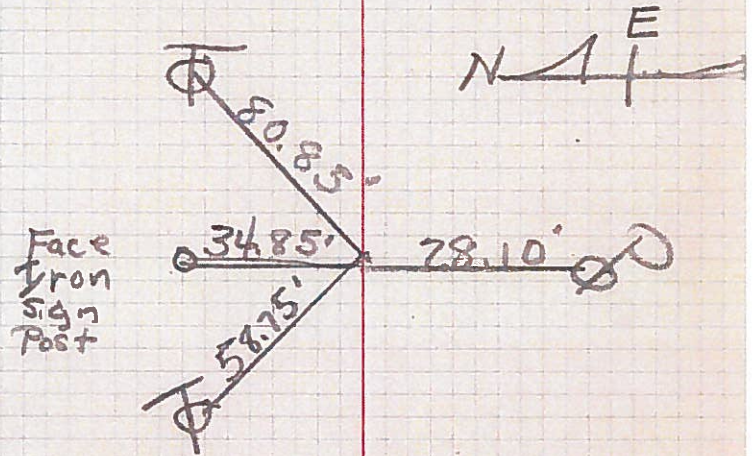
60

N.E. Cor. Sec. 25 Co. Line
Set MOBARA Mon.
(found 8/23/54)
1362 + 46.23



59

1/2 Sec. Between 24 & 25
1335 + 73.51



Fd. Nail Set Mobara Mon.
8/23/54

58

N.W. Cor. Sec. 25
(found Stone 4/16/52)
12" under Top of Pavement O.K.
(Found stone)
6/9/54
1309 + 1276 8/23/54
FOUND STONE - Set MOBARA Mon.

