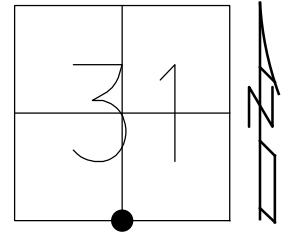


O.D.O.T. DISTRICT 2 SURVEY OFFICE (USE ONLY)

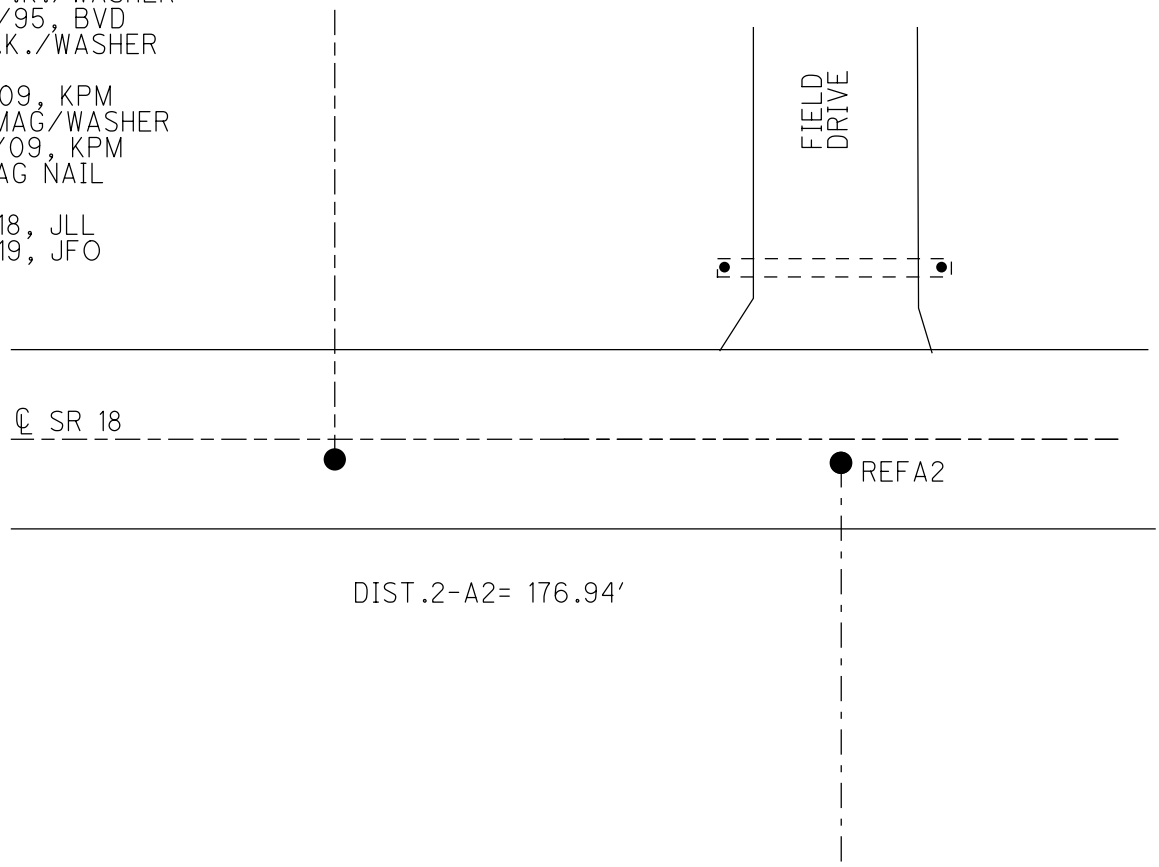
PERSONNEL \_\_\_\_\_ REFERENCE NO. 2 SHEET 2 OF 29  
 NOTES MOSER DATE 9/9/09 ROUTE SR 18  
 H.C. GOLDBERG WEATHER CLOUDY COUNTY HENRY  
 R.C. MOSER TEMP. 80° TOWNSHIP FLATROCK  
 \_\_\_\_\_ SECTION 31  
 DWG BY NIESE PID NO PID T 4 N R 6 E

TYPE MONUMENT P.K./WASHER  
 ON SURFACE - ~~BELOW~~ ON  
 OFFSET 7.9' TO RT EDGE PAVEMENT  
 OFFSET 1.8' RT EDGE PAVEMENT  
 STATION: 20+95



HORZ.DATUM: NAD83(2011) GEOID: 2012A  
 GRID: NORTHING: 582657.097 EASTING: 1495637.431

RECORD:  
 SET R.R.SPIKE  
 1983  
 FD SM.R.R.SPIKE  
 5/30/95, BVD  
 SET P.K./WASHER  
 5/28/95, BVD  
 FD P.K./WASHER  
 SV101  
 9/9/09, KPM  
 SET MAG/WASHER  
 10/6/09, KPM  
 FD MAG NAIL  
 REF2  
 8/7/18, JLL  
 8/6/19, JFO



O.D.O.T. DISTRICT 2 SURVEY OFFICE (USE ONLY)

PERSONNEL

REFERENCE NO. 2

SHEET 2 OF 29

NOTES MOSER

DATE 09-09-09

ROUTE SR 18

H.C. GOLDBERG

WEATHER CLOUDY

COUNTY HENRY

R.C. MOSER

TEMP. +80°

TOWNSHIP Flatrock- Pleasant

SECTION 31

T 4 N R 6 E

TYPE MONUMENT FD. PK/WASHER

ON SURFACE - BELOW ON SURFACE

~~LEFT = C PAVT~~ - RIGHT 1.8'

7.9' TO RT. EDGE PAVEMENT

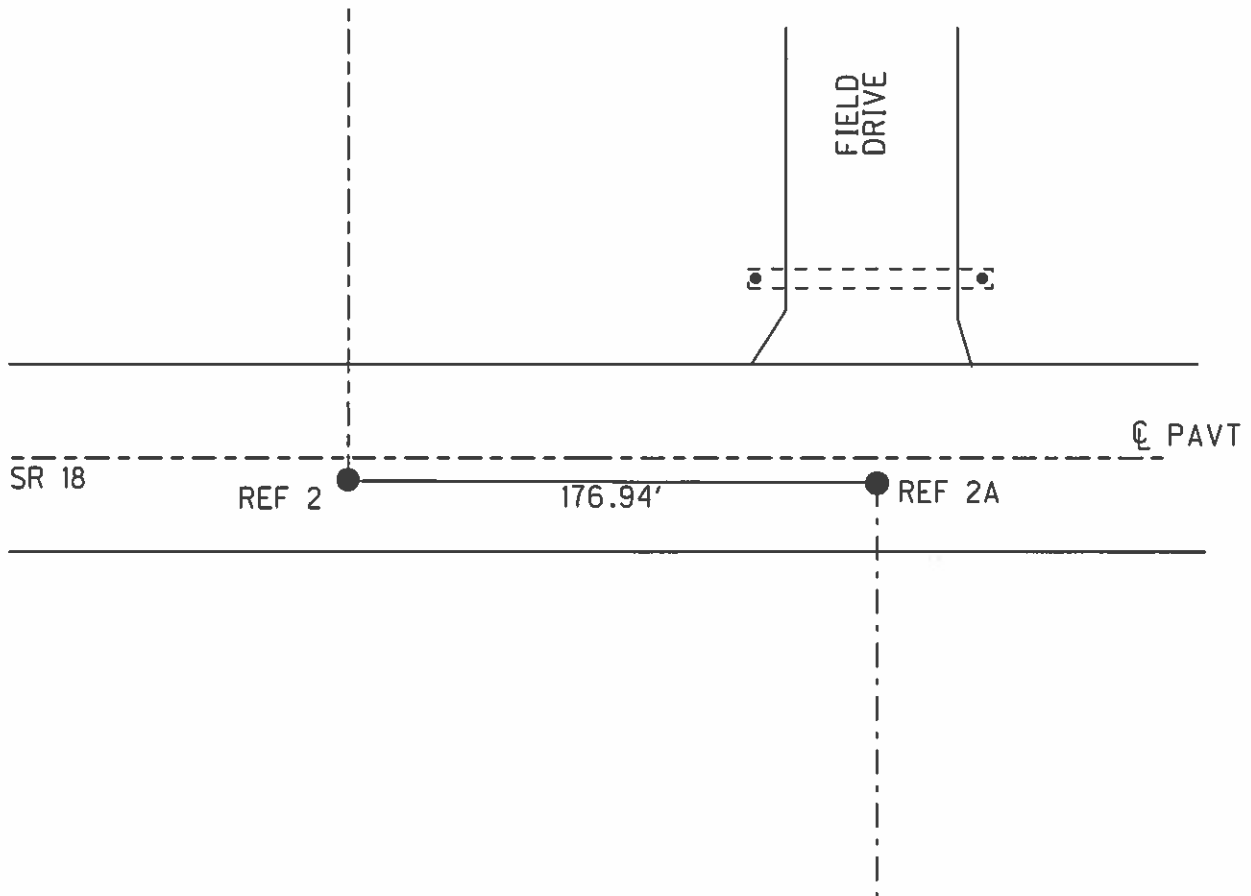
S.L.M. 20 + 95 (SV 101)

Grid: Northing: 582657.064 Easting: 1495637.353

31	
FLATROCK	T4N
PLEASANT	T3N
06	



RECORD: 5/4 POST SECTION 31  
 SET RR.SP.K. RE-ESTABLISHED  
 SINGLE PROPORTIONATE BY HENRY COUNTY 1983  
 FD SM. RR.SP.K 05-30-95 BVD SET PK/WASHER 5-28-95 BVD  
 SET MAG/WASHER 10-06-09 KPM



# O.D.O.T. DISTRICT 2 SURVEY OFFICE

PERSONNEL

REFERENCE NO. 2-2A

SHEET 2 OF 11

NOTES B. VAN DUSEN

H.C. S. HUSS

DATE 5-30-95

ROUTE S.R. 18

R.G. K. MOSER

WEATHER CLOUDY

COUNTY HENRY

TEMP. +55° F

TOWNSHIP Flatrock - Pleasant

SECTION 31

T4 N R6 E

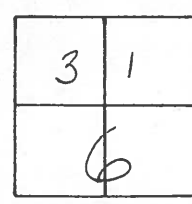
TYPE MONUMENT SM. RR. SPK.

ON SURFACE - BELOW YES

~~LEFT~~ - PAV'T. - RIGHT 1.9" A 2.5" PT B

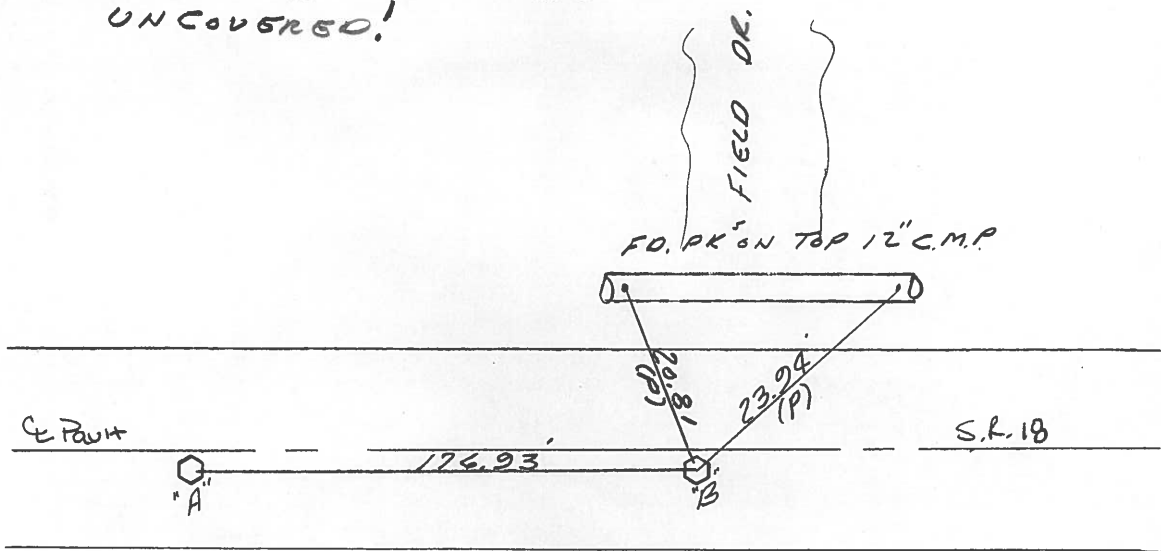
7.2 TO RT. EDGE PAVEMENT PT. A PT. B: 6.8  
RT. ED.

S.L.M. A: 20+95 PT. B: 22+72



NOTE: REF. TIES WERE DESTROYED FOR POINT ("A") UNABLE TO RESET. POINT "A" HAS TO BE UNCOVERED!

SET PK & WASHERS 5-28-95 B.V.D



RECORD:  
S 1/4 COR. SEC. 31  
FLATROCK TWP.  
RE-ESTABLISHED S 1/4 POST  
BY SINGLE PROPORTIONATE  
MEASUREMENTS.  
PLACED R.R. SPK. ON SURFACE  
HENRY COUNTY 1903

RECORD:  
N 1/4 COR. SEC. 6  
PLEASANT TWP.  
RECORDED SPIKE GONE  
RE-ESTABLISHED N 1/4 POST BY  
SINGLE PROPORTIONATE  
MEASUREMENTS.  
PLACED R.T. SPK. ON SURFACE  
HENRY COUNTY 1983

O.D.O.T. DISTRICT 2 SURVEY OFFICE

PERSONNEL

REFERENCE NO. 2-2A SHEET \_\_\_\_\_ OF \_\_\_\_\_

NOTES BARNHISEL

H.C. Loehke

R.C. Loehke

DATE Aug 11, 1986

WEATHER SUNNY

TEMP. +75°

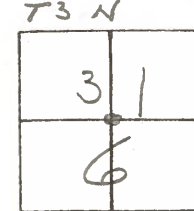
ROUTE SR 18

COUNTY HENRY

TOWNSHIP FLATROCK-PLEASANT

SECTION 31 - 6

T4 N R 6 E



TYPE MONUMENT R.R. SPIKE - RR SPIKE

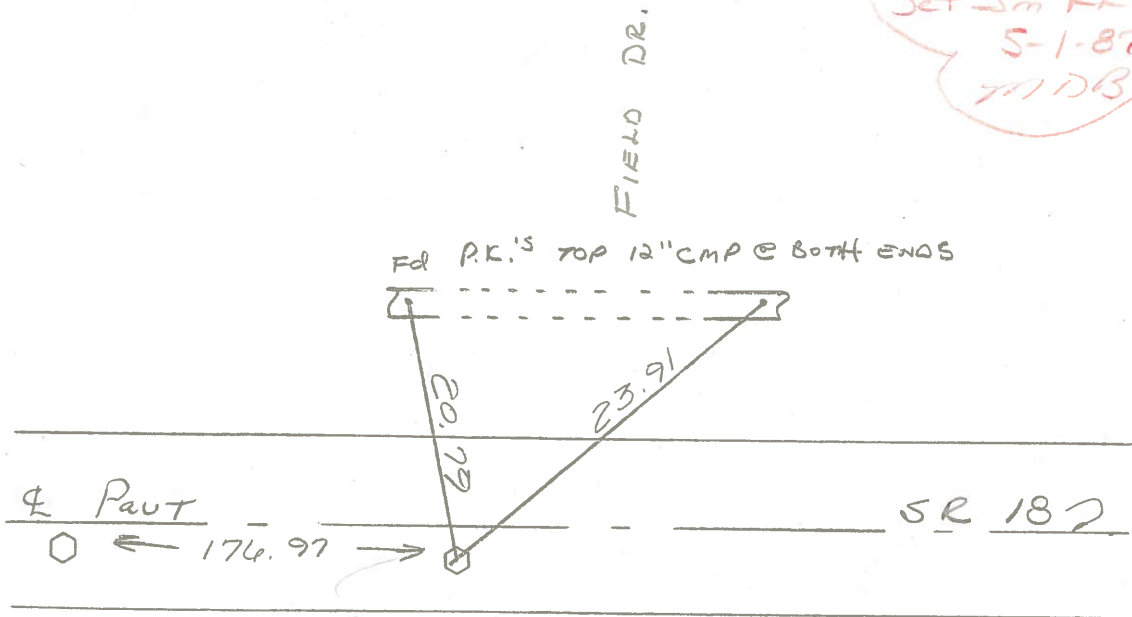
ON SURFACE - BELOW yes - yes

~~LEFT~~ - PAV'T. - RIGHT 0.6' - 1.3

7.3' TO RT EDGE PAVEMENT

7.5 RT S.L.M. 20+92 - 22+69

Set Sm RR SPIK  
5-1-87  
TADB



RECORD:

S 1/4 COR SEC 31  
FLATROCK TWP

Re-established S 1/4 post  
By single PROPORTIONATE  
MEASUREMENTS.

PLACED R.R. SPIK ON SURFACE  
HENRY COUNTY 1983

RECORD:

N 1/4 COR SEC 6  
PLEASANT TWP

RECORDED SPIKE GONG  
Re-established N 1/4 post by  
single PROPORTIONATE  
MEASUREMENTS.

PLACED R.R. SPIK ON SURFACE  
HENRY COUNTY 1983



PERSONNEL	TITLE	PERSONNEL	TITLE	COUNTY	Henry	DATE	July 29, '1-
W. Denno				S. R.	18	WEATHER	Warm
R. Michalak				SEC.		TEMP.	80° ±
D. Curtis							

DESCRIPTION References To Control Points JOB NO. 02999(0)

