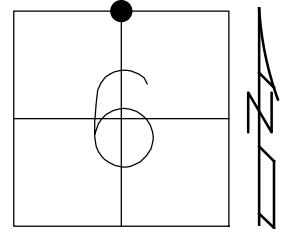


O.D.O.T. DISTRICT 2 SURVEY OFFICE (USE ONLY)

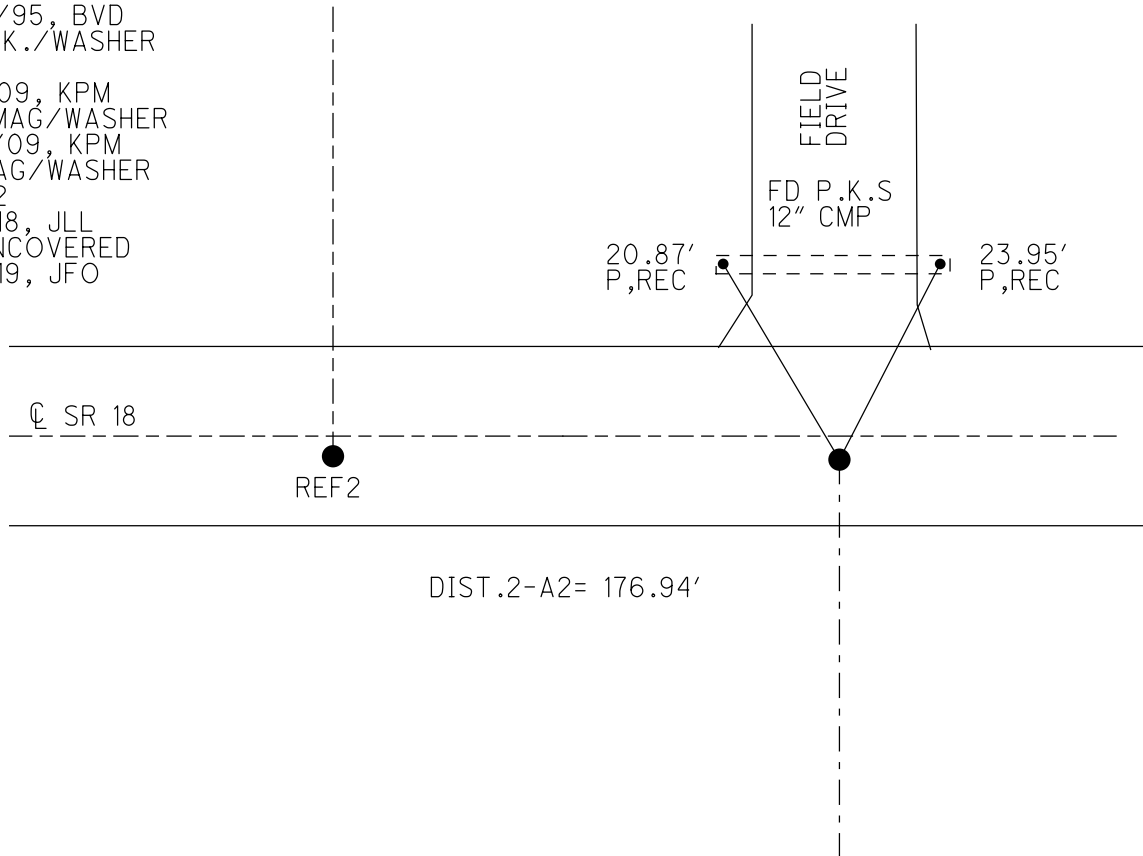
PERSONNEL _____ REFERENCE NO. 2 A SHEET 3 OF 29
 NOTES MOSER DATE 9/9/09 ROUTE SR 18
 H.C. GOLDBERG WEATHER CLOUDY COUNTY HENRY
 R.C. MOSER TEMP. 80° TOWNSHIP PLEASANT
 SECTION 6
 DWG BY NIESE PID NO PID T 3 N R 6 E

TYPE MONUMENT P.K./WASHER
 ON SURFACE - ~~BELOW~~ ON _____
 OFFSET ☉ PAVEMENT 2.0' ~~LT~~ : RT
7.6' TO RT EDGE PAVEMENT
 STATION: 22+72



HORIZ.DATUM: NAD83(2011) GEOID: 2012A
 GRID: NORTHING: 582653.115 EASTING: 1495814.326

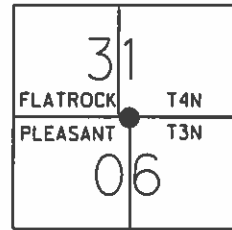
RECORD:
 SET R.R.SPIKE
 1983
 FD SM.R.R.SPIKE
 5/30/95, BVD
 SET P.K./WASHER
 5/28/95, BVD
 FD P.K./WASHER
 SV102
 9/9/09, KPM
 SET MAG/WASHER
 10/6/09, KPM
 FD MAG/WASHER
 REFA2
 8/7/18, JLL
 FD UNCOVERED
 8/6/19, JFO



O.D.O.T. DISTRICT 2 SURVEY OFFICE (USE ONLY)

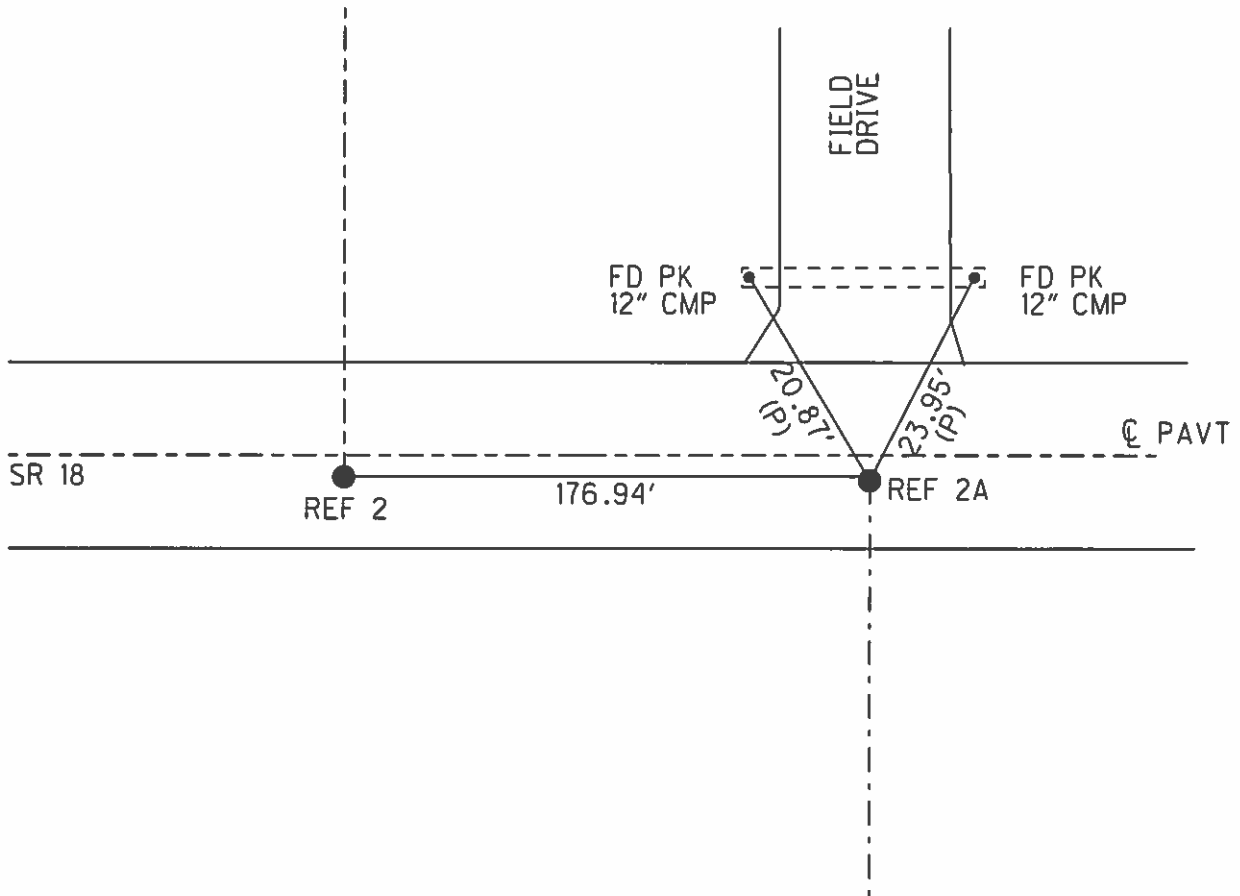
PERSONNEL _____ REFERENCE NO. 2A SHEET 3 OF 29
 NOTES MOSER DATE 09-09-09 ROUTE SR 18
 H.C. GOLDBERG WEATHER CLOUDY COUNTY HENRY
 R.C. MOSER TEMP. +80° TOWNSHIP Flatrock- Pleasant
 _____ SECTION 31
 _____ T 4 N R 6 E

TYPE MONUMENT _____ FD. PK/WASHER _____
 ON SURFACE - ~~BELOW~~ ON SURFACE _____
~~LEFT - C PAV'T~~ - RIGHT 2.0' _____
7.6' TO RT. EDGE PAVEMENT _____
 S.L.M. 22 + 72 (SV 102) _____



Grid: Northing: 582653.040 Easting: 1495814.241

RECORD: N1/4 POST SECTION 6
 SET RR.SP.K. RE-ESTABLISHED
 SINGLE PROPORTIONATE BY HENRY COUNTY 1983
 FD SM. RR.SP.K 05-30-95 BVD SET PK/WASHER 5-28-95 BVD
 SET MAG/WASHER 10-06-09 KPM



O.D.O.T. DISTRICT 2 SURVEY OFFICE

PERSONNEL

REFERENCE NO. 2-2A

SHEET 2 OF 11

NOTES B. VAN DUSEN

H.C. S. HUSS

DATE 5-30-95

ROUTE S.R. 18

R.G. K. MOSER

WEATHER CLOUDY

COUNTY HENRY

TEMP. +55° F

TOWNSHIP Flatrock - Pleasant

SECTION 31

T4 N R6 E

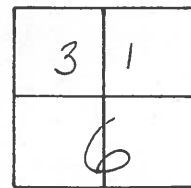
TYPE MONUMENT SM. RR. SPK.

ON SURFACE - BELOW YES

~~LEFT~~ - 6 PAV'T. - RIGHT 1.9" A 2.5" PT B

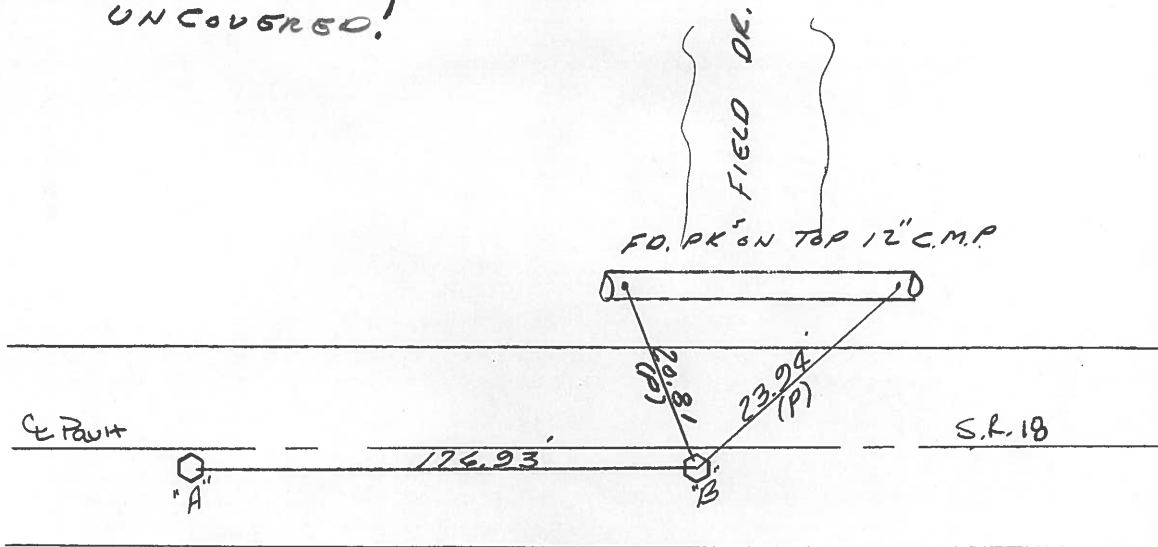
7.2 TO RT. EDGE PAVEMENT PT. A PT. B: 6.8
RT. ED.

S.L.M. A: 20+95 PT. B: 22+72



NOTE: REF. TIES WERE DESTROYED FOR POINT ("A") UNABLE TO RESET. POINT "A" HAS TO BE UNCOVERED!

SET PK & WASHERS
5-28-95
B.V.D



RECORD:

S 1/4 COR. SEC. 31
FLATROCK TWP.
RE-ESTABLISHED S 1/4 POST
BY SINGLE PROPORTIONATE
MEASUREMENTS.
PLACED R.R. SPK. ON SURFACE
HENRY COUNTY 1983

RECORD:

N 1/4 COR. SEC. 6
PLEASANT TWP.
RECORDED SPIKE GONE
RE-ESTABLISHED N 1/4 POST BY
SINGLE PROPORTIONATE
MEASUREMENTS.
PLACED R.T. SPK. ON SURFACE
HENRY COUNTY 1983

O.D.O.T. DISTRICT 2 SURVEY OFFICE

PERSONNEL

REFERENCE NO. 2-2A SHEET _____ OF _____

NOTES BARNHISEL

H.C. Loehke

R.C. Loekman

DATE Aug 11, 1986

WEATHER SUNNY

TEMP. +75°

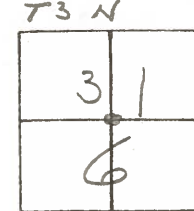
ROUTE SR 18

COUNTY HENRY

TOWNSHIP FLATROCK-PLEASANT

SECTION 31 - 6

T4 N R 6 E



TYPE MONUMENT R.R. SPIKE - RR spike

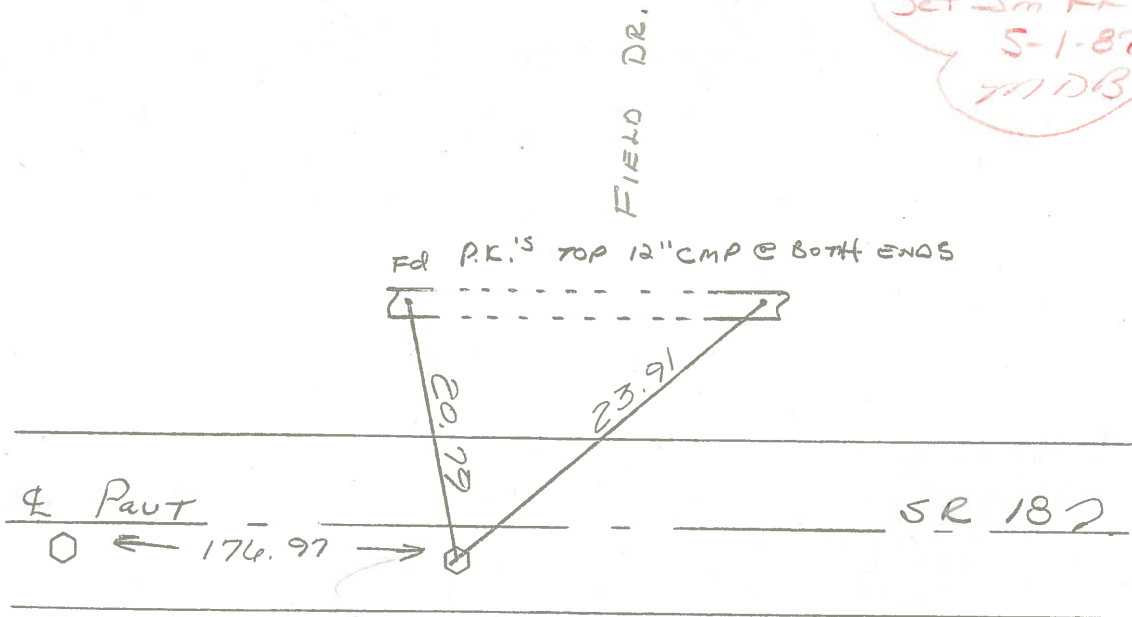
ON SURFACE - BELOW yes - yes

~~LEFT~~ - PAV'T. - RIGHT 0.6' - 1.3

7.3' TO RT EDGE PAVEMENT

S.L.M. 20+92 - 22+69

Set Sm RR Spike
5-1-87
TADB



RECORD:

S 1/4 COR Sec 31
FLATROCK TWP

Re-established S 1/4 post
By single PROPORTIONATE
MEASUREMENTS.

PLACED R.R. SPIKE ON SURFACE
HENRY COUNTY 1983

RECORD:

N 1/4 COR Sec 6
PLEASANT TWP

RECORDED SPIKE GONG
Re-established N 1/4 post by
single PROPORTIONATE
MEASUREMENTS.

PLACED R.R. SPIKE ON SURFACE
HENRY COUNTY 1983

PERSONNEL	TITLE	PERSONNEL	TITLE	COUNTY	Henry	DATE	July 29, '1-
W. Denno				S. R.	18	WEATHER	Warm
R. Michalak				SEC.		TEMP.	80° ±
D. Curtis							

DESCRIPTION References To Control Points JOB NO. 02999(0)

