

O.D.O.T. DISTRICT 2 SURVEY OFFICE (USE ONLY)

PERSONNEL

REFERENCE NO. 4 A

SHEET 7 OF 29

NOTES MOSER
 H.C. GOLDBERG
 R.C. MOSER

DATE 9/9/09
 WEATHER CLOUDY
 TEMP. 80°

ROUTE SR 18
 COUNTY HENRY
 TOWNSHIP PLEASANT
 SECTION 5

DWG BY NIESE PID NO PID

T 3 N R 6 E

TYPE MONUMENT P.K./WASHER

ON SURFACE - ~~BELOW~~ ON

OFFSET CL PAVEMENT 6.7' ~~RT~~ : RT

2.8' TO RT EDGE PAVEMENT

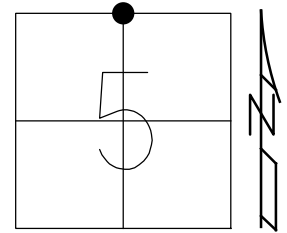
STATION: 75+63 (SV106)

HORZ.DATUM: NAD83(2011)

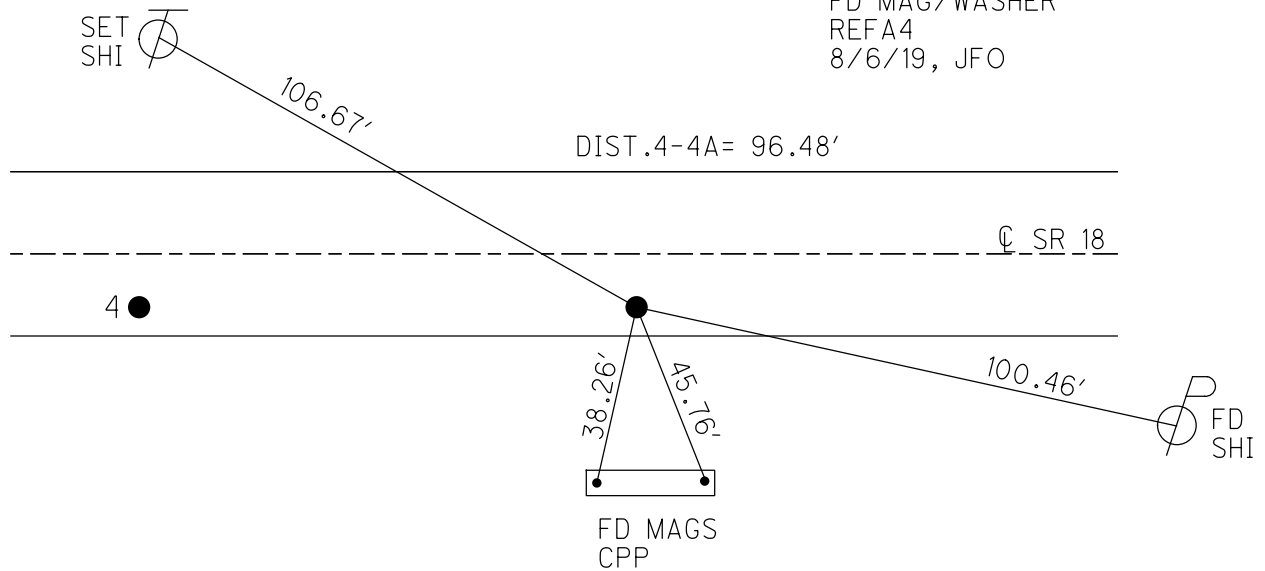
GEOID: 2012A

GRID: NORTHING: 582546.320

EASTING: 1501099.262



RECORD:
 SET R.R.SPIKE
 OVER STONES
 FIRST STONE 4" DOWN
 SECOND STONE 14.5" DOWN
 1976
 FD P.K./WASHER
 SV106
 9/9/09, KPM
 SET MAG/WASHER
 10/6/09
 FD MAG/WASHER
 REFA4
 8/6/19, JFO



O.D.O.T. DISTRICT 2 SURVEY OFFICE

PERSONNEL

REFERENCE NO. 4A

SHEET 7 OF 29

NOTES MOSE

DATE 9-9-09

ROUTE SR 18

H.C. GOLDBERG

WEATHER CLOUDY

COUNTY Henry

R.C. MOSE

TEMP. +80°

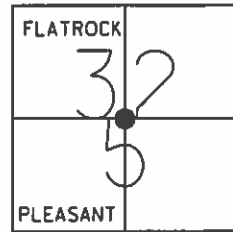
TOWNSHIP Flatrock- Pleasant

SECTION 32 - 5

TYPE MONUMENT PK WASHERS

T 4 N R 6 E
3

ON SURFACE - ~~BELOW~~ YES



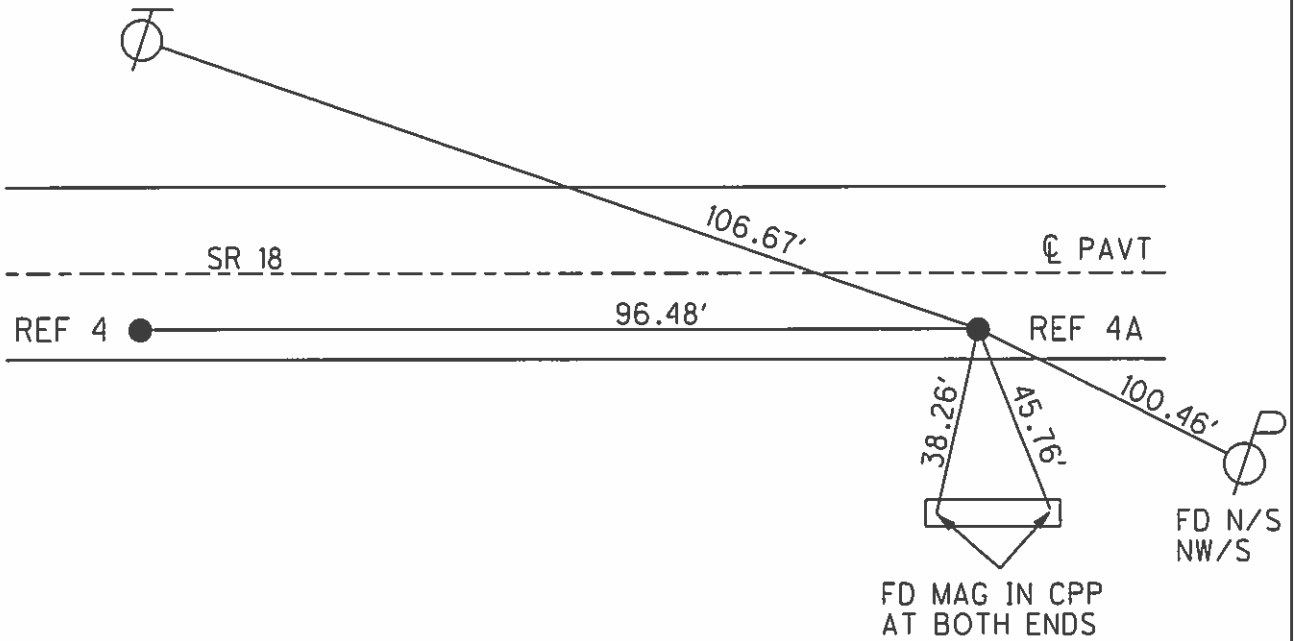
~~LEFT - C PAV'T~~ - RIGHT 6.7'

2.8' TO RT. EDGE PAVEMENT

S.L.M. 75 + 63 (SV 106)

Grid: Northing: 582546.301 Easting: 1501099.189

Record: N1/4 section 5 pleasant
Placed RR spk. over stones. First
stone 4" deep second stone 14.5"
deep Henry Co. 1976
Set Mag/washer 10/06/2009



O.D.O.T. DISTRICT 2 SURVEY OFFICE

PERSONNEL

REFERENCE NO. 4-4A

SHEET 4 OF 11

NOTES VAW ROSEN

H.C. HUSS

DATE 5-30-95

ROUTE SR-18

R.C. MOSEK

WEATHER CLOUDY

COUNTY Henry

TEMP. +55°F

TOWNSHIP Flat Rock-Pleasant

SECTION 32 - 5

T 4 N 3 R 6 E

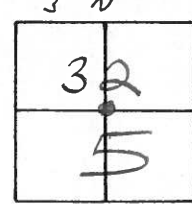
TYPE MONUMENT PK & WASHERS

ON SURFACE - ~~BELOW~~ YES

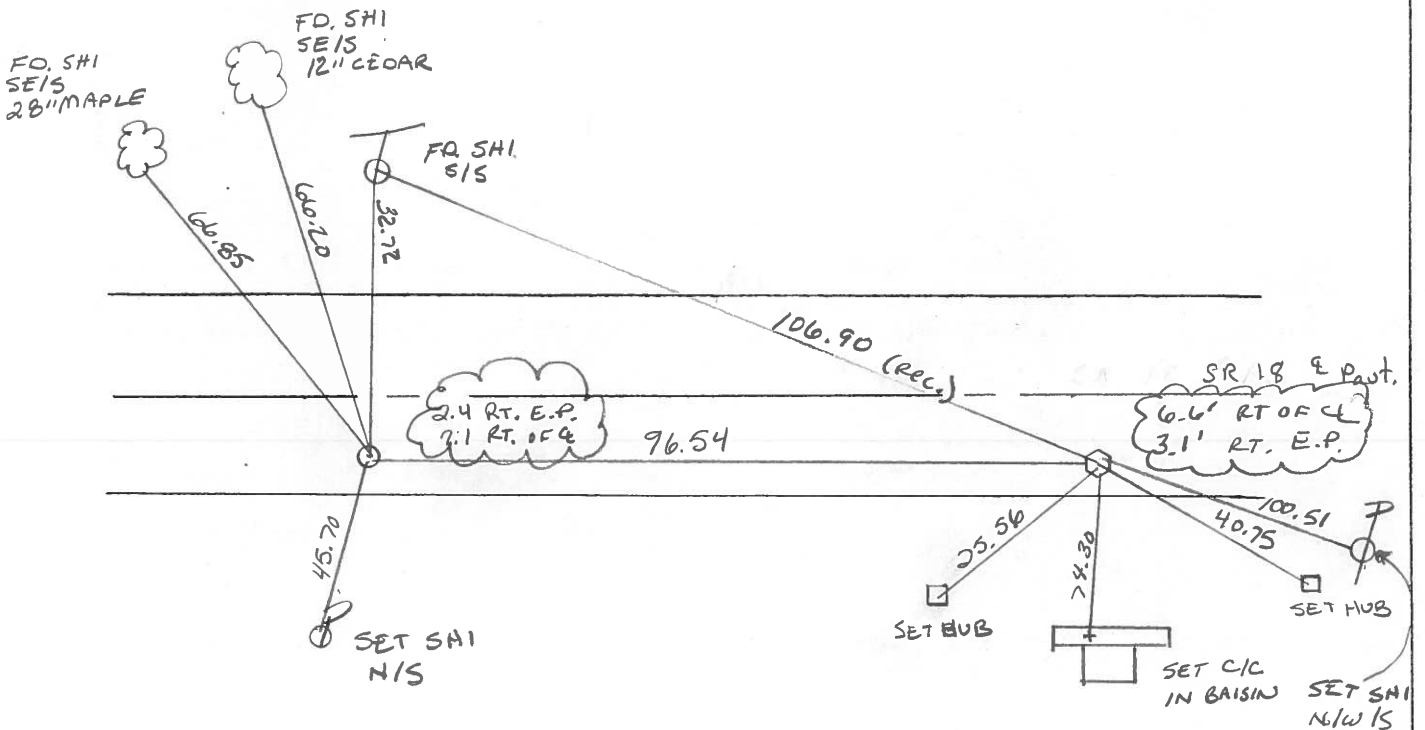
LEFT- & PAV'T. - RIGHT SEE BELOW

SEE TO BELOW EDGE PAVEMENT

S.L.M. 74 + 67 - 75 + 63



SET PK & WASHERS
8-28-95
BVD



Record:
S 1/4 Sec 32 Flatrock
Found 5/8" I Pipe 3" deep
Found Stone 16" Deep
Placed P.K. @ surface over pipe
Henry Co. 1976

Record:
N 1/4 Sec 5 Pleasant
Placed RR spk. over stones
First Stone 4" deep
Second Stone 14 1/2" deep
Henry Co. 1976

O.D.O.T. DISTRICT 2 SURVEY OFFICE

PERSONNEL

REFERENCE NO. 4 - 4A

SHEET _____ OF _____

NOTES BARNHISEL

H.C. Loehrke

R.C. SOCKMAN

DATE Aug 11, 1986

WEATHER SUNNY

TEMP. +75°

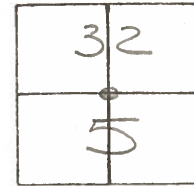
ROUTE SR 18

COUNTY HENRY

TOWNSHIP FLATROCK - PLEASANT

SECTION 32 - 5

T4 N R 6 E
T3 N



TYPE MONUMENT Sm RR Spk

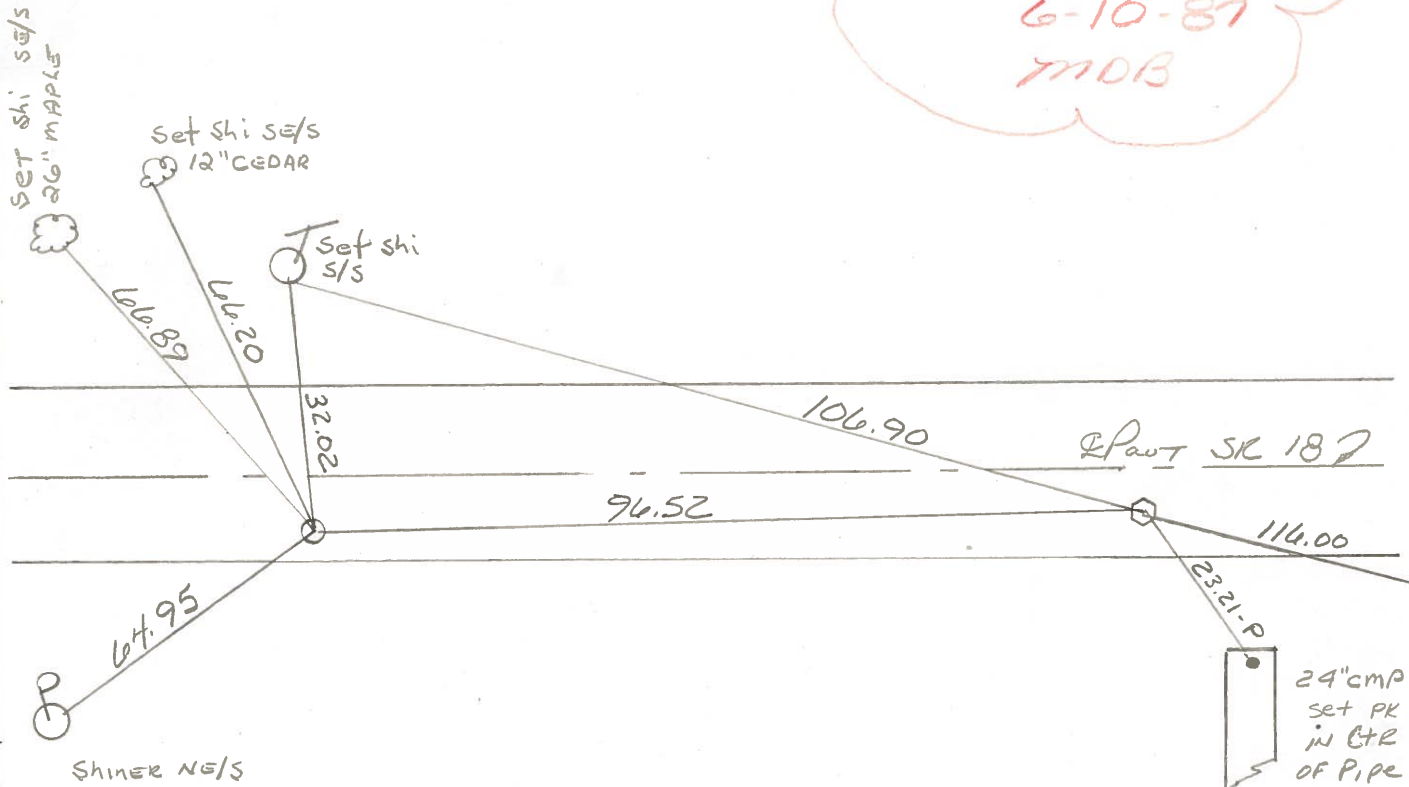
ON SURFACE - BELOW 1"

LEFT & PAV'T. - RIGHT 6.6 - 6.0'

2.5 TO RT EDGE PAVEMENT

S.L.M. 74 + 59 - 75 + 55

Set Sm RR Spk's
6-10-87
MOB



RECORD:
S 1/4 SEC 32 FLATROCK
FOUND 5/8" I. PIPE 3" DEEP
FOUND STONE 16" DEEP
PLACED P.K. @ SURFACE OVER PIPE
HENRY COUNTY 1976

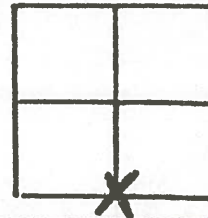
RECORD:
N 1/4 SEC 5 PLEASANT
PLACED R.R. SPK OVER STONE
FIRST STONE 4" DEEP
SECOND STONE 14 1/2" DEEP
HENRY COUNTY 1976

HENRY COUNTY ENGINEER'S OFFICE CORNER STONE RECOVERY PROGRAM

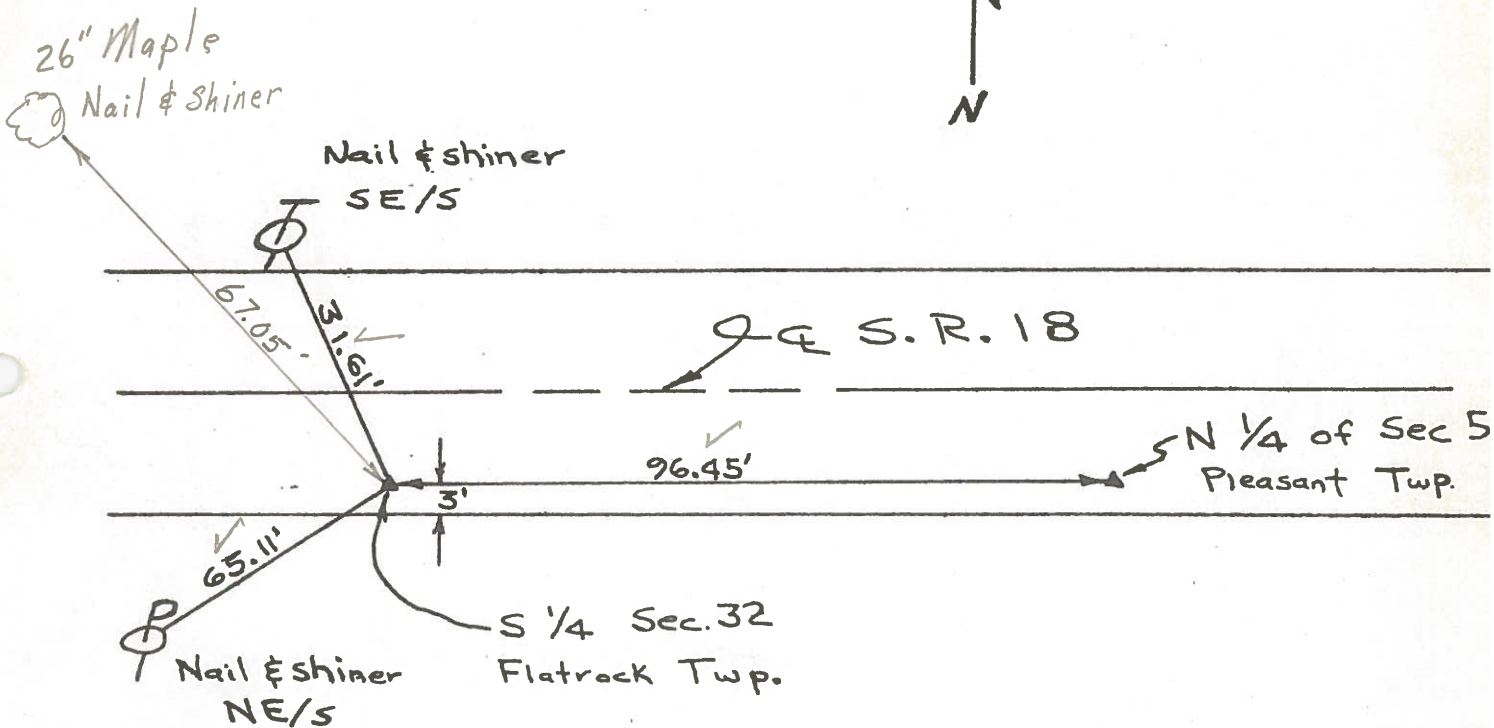
Sht. 2 of
S.R. 18

TOWNSHIP FLATRACK
SECTION 32
T4N, R6E
PERSONNEL J.G.
B.B.
M.S.
S.S.

DATE 6-17-76
WEATHER WARM & CLEAR
TEMP _____



3 4-4A



Found $\frac{5}{8}$ " ϕ Iron pipe on East side of stone angled over top center of stone. Stone is 3' north of south edge of S.R. 18. Pipe is 3" deep and stone is 16" deep. Placed P.K. nail over pipe. Also placed P.K. nails 6' N & 6' W. Stone lies 96.45' west of Pleasant Twp stone.

Copied:

Painted: 8-76

From

HENRY COUNTY ENGINEER'S OFFICE CORNER STONE RECOVERY PROGRAM

Sht. 3 of
S.R. 18

TOWNSHIP PLEASANT

DATE 6-15-76

SECTION 5

WEATHER CLEAR & WARM

T3N, R6E

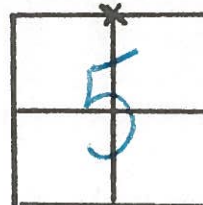
TEMP _____

PERSONNEL JG

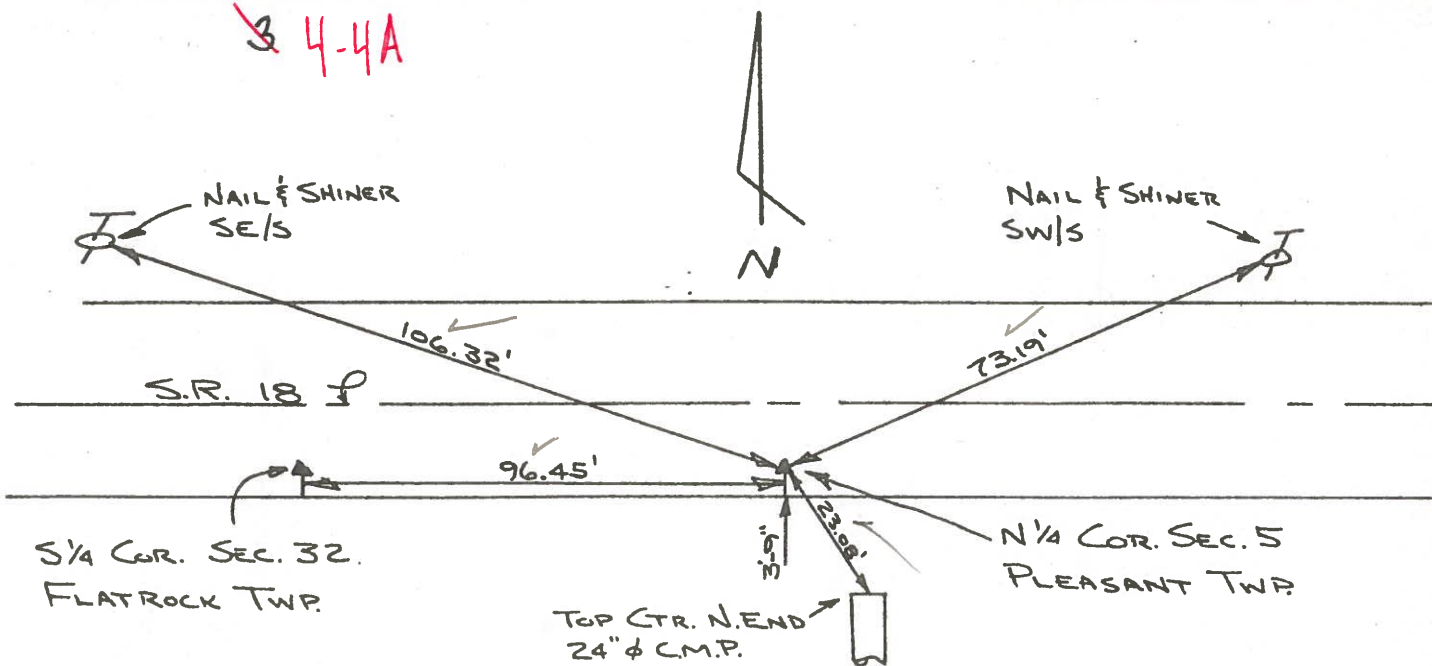
BB

MS

SS



3 4-4A



NOTE:

FOUND P.K. & SHINER OVER CHISELED 'X' IN STONE. STONE WAS 4" DEEP AND OVER ANOTHER STONE. SECOND STONE WAS 14 1/2" DEEP. P.K. & SHINER WERE 3" S.E. OF HIGH POINT OF LOWER STONE. REMOVED TOP STONE AND PLACED CTR. PUNCH RR. SPK. OVER STONE. STONE IS 3'-9" NORTH OF SOUTH EDGE S.R. 18. P.K.'S 6' N. & 6' E.

Copied:

Painted: 8-76

Form CSR-1 9-76

PERSONNEL	TITLE	PERSONNEL	TITLE
W. Denno			
R. Michalok			
D. Curtis			

COUNTY Henry DATE July 30, '7
 S. R. 18 WEATHER Warm
 SEC. _____ TEMP. 80° ±

DESCRIPTION References To Control Points JOB NO. 02999(0)

