

O.D.O.T. DISTRICT 2 SURVEY OFFICE (USE ONLY)

PERSONNEL

REFERENCE NO. 8

SHEET 14 OF 29

NOTES MOSER

DATE 9/9/09

ROUTE SR 18

H.C. GOLDBERG

WEATHER CLOUDY

COUNTY HENRY

R.C. MOSER

TEMP. 80°

TOWNSHIP FLATROCK

SECTION 34

DWG BY NIESE PID NO PID

T 4 N R 6 E

TYPE MONUMENT P.K./WASHER

ON SURFACE - ~~BELOW~~ ON

OFFSET 4.8' TO RT EDGE PAVEMENT

5.0' RT : RT

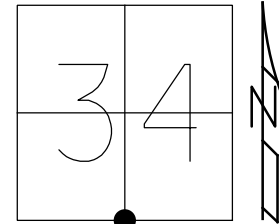
STATION: 180+76

HORZ.DATUM: NAD83(2011)

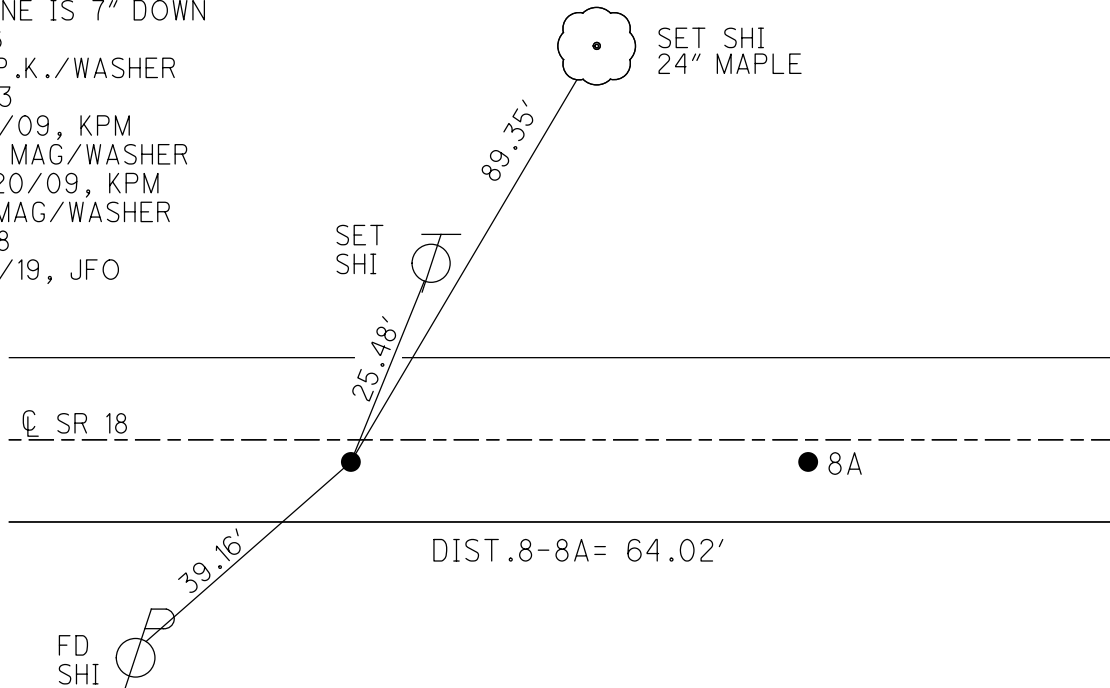
GEOID: 2012A

GRID: NORTHING: 582421.177

EASTING: 1511597.503



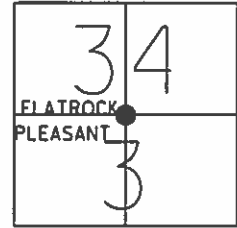
RECORD:  
 FD P.K.NAIL  
 OVER R.R.SPIKE  
 OVER STONE  
 STONE IS 7" DOWN  
 1976  
 FD P.K./WASHER  
 SV113  
 9/9/09, KPM  
 SET MAG/WASHER  
 10/20/09, KPM  
 FD MAG/WASHER  
 REF8  
 8/6/19, JFO



O.D.O.T. DISTRICT 2 SURVEY OFFICE (USE ONLY)

PERSONNEL	REFERENCE NO. <u>8</u>	SHEET <u>14</u> OF <u>29</u>
NOTES <u>MOSE</u>	DATE <u>09-09-09</u>	ROUTE <u>SR 18</u>
H.C. <u>GOLDBERG</u>	WEATHER <u>CLOUDY</u>	COUNTY <u>HENRY</u>
R.C. <u>MOSE</u>	TEMP. <u>+80°</u>	TOWNSHIP <u>PLEASANT</u>
		SECTION <u>34-3</u>
		T <u>4</u> N R <u>6</u> E

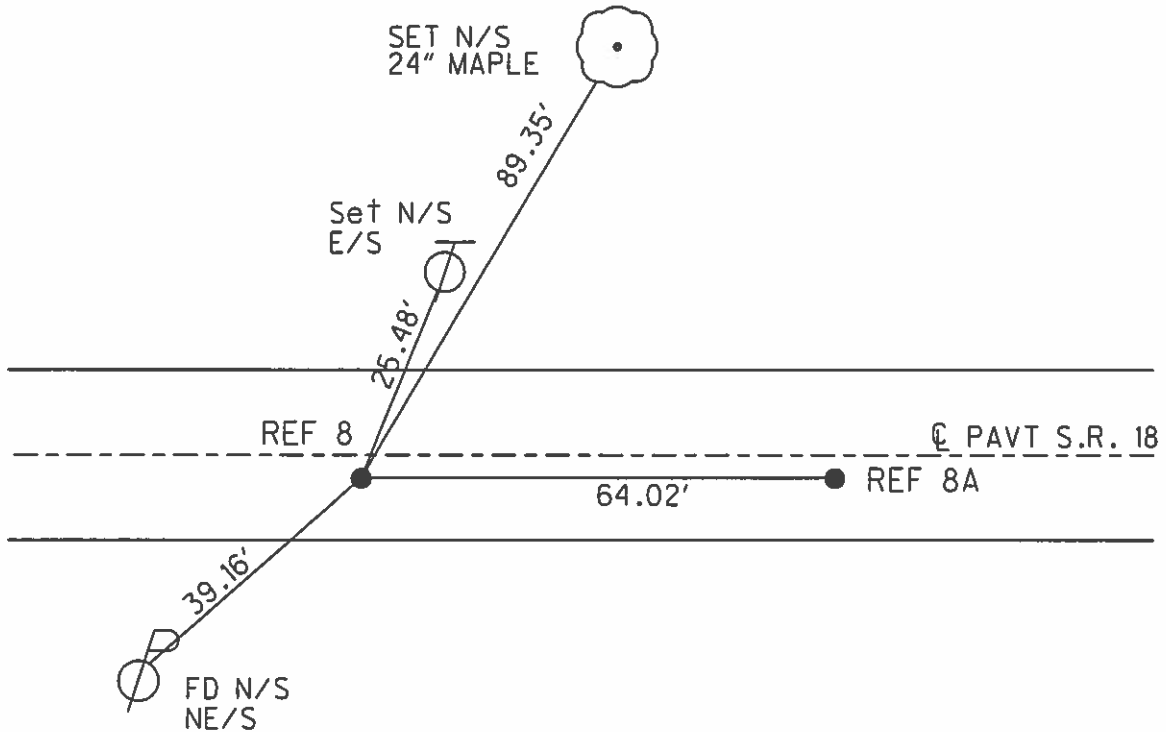
TYPE MONUMENT PK/WASHER  
 ON SURFACE - ~~BELOW~~ ON SURFACE  
~~LEFT = C PAV'T~~ - RIGHT 5.0'  
4.8' TO RT. EDGE PAVEMENT  
 S.L.M. 180+76 (SV113)



Grid: Northing: 582421.138 Easting: 1511597.434

Record: Fd. PK over RR spk  
 over stone. Stone is 7" deep  
 S1/4 cor. sec 34  
 Henry Co. 1976

SET MAG/WASHER  
 10-20-09 KPM



# O.D.O.T. DISTRICT 2 SURVEY OFFICE

PERSONNEL

REFERENCE NO. 8-8A

SHEET 8 OF 11

NOTES HOSS

H.C. VAN DUSEN

DATE 5-30-95

ROUTE S.R. 18

R.C. MOSEY

WEATHER SUNNY

COUNTY HENRY

TEMP. +70°F

TOWNSHIP FLATROCK - PLEASANT

SECTION 34-3

T4 N R 6 E

T3 N

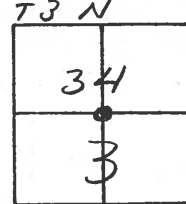
TYPE MONUMENT PK & WASHERS

ON SURFACE - ~~BELOW~~ YES - Yes

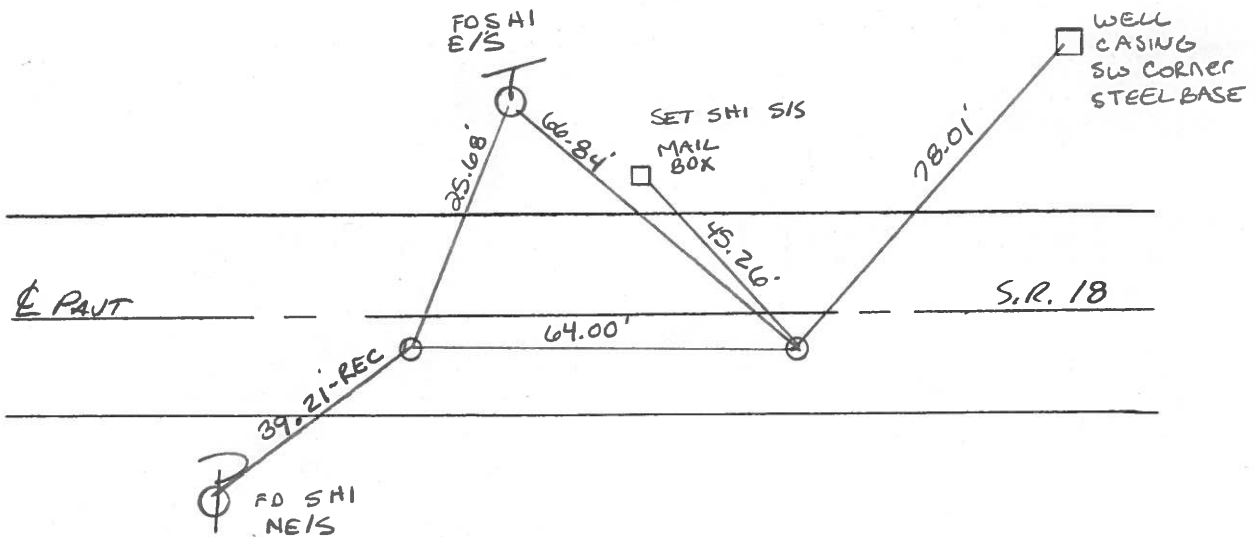
LEFT - ~~C~~ PAV'T. - RIGHT 4.7' ~ 4.6'

4.7' TO RT EDGE PAVEMENT

S.L.M. 180+76 ~ 181+40.



SET PK & WASHERS  
8-28-95  
SAH



**RECORD**

Fd. P.K. OVER R.R. SPIKE  
OVER STONE  
STONE IS 7" DEEP  
SW COR SEC 34  
FLATROCK TWP  
HENRY CO. 1976

**RECORD**

N 1/4 COR SEC. 3  
PLEASANT TWP  
Fd. STONE 12" BELOW SURFACE  
1/2 150' SOUTH OF SOUTH LINE  
OF SEC. 34 FLATROCK TWP,  
PLACED R.R. SPIKE ON SURFACE,  
150' NORTH OF STONE  
HENRY CO. 1983

O.D.O.T. DISTRICT 2 SURVEY OFFICE

PERSONNEL

REFERENCE NO. 8-8A

SHEET \_\_\_\_\_ OF \_\_\_\_\_

NOTES BARNHISEL

H.C. Loehrke

R.C. SOCKMAN

DATE Aug 12, 1986

WEATHER SUNNY

TEMP. +82°

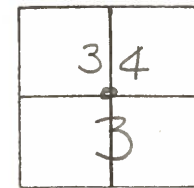
ROUTE SR 18

COUNTY HENRY

TOWNSHIP FLATROCK-PLEASANT

SECTION 34 - 3

T4 N R 6 E  
T3 N



TYPE MONUMENT R.R. SPIKE - R.R. SPIKE

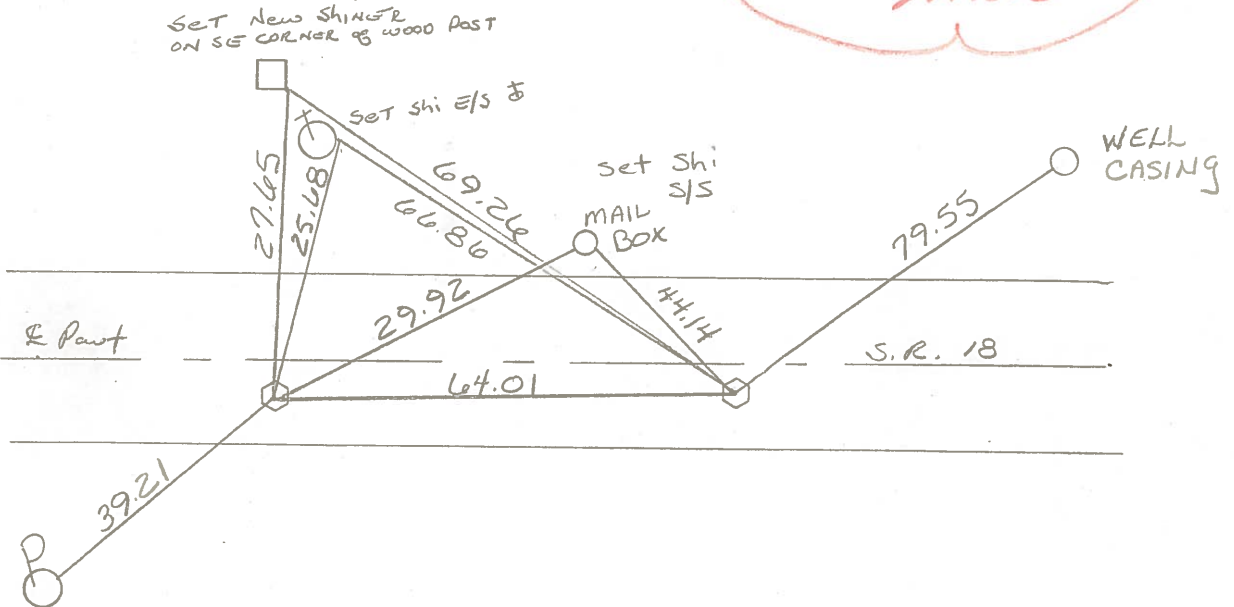
ON SURFACE - BELOW yes - yes

~~LEFT -~~ PAV'T. - RIGHT 4.1 - 3.9

S.O TO RT EDGE PAVEMENT

S.O RT 180+53 - 181+17

Set Sm RR Spk's  
6-15-87  
MAB



RECORD:

Fd P.K. OVER RR SPIKE OVER STONE  
STONE IS 7" DEEP  
S 1/4 COR SEC 34  
FLATROCK TWP  
HENRY Co. 1976

RECORD:

N 1/2 COR SEC 3  
PLEASANT TWP  
Fd STONE 12" Below SURFACE  
& 1.50' SOUTH of SOUTH LINE of  
SEC. 34 FLATROCK TWP.  
Placed R.R. SPK ON SURFACE, 1.50'  
NORTH of STONE.  
HENRY COUNTY 1983

HENRY COUNTY ENGINEERS' OFFICE  
CORNER STONE RECOVERY PROGRAM

Sht. 6 of  
S.R. 1

TOWNSHIP Flatrock

DATE 6-15-76

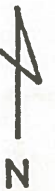
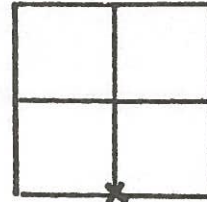
SECTION 34

WEATHER Warm & Clear

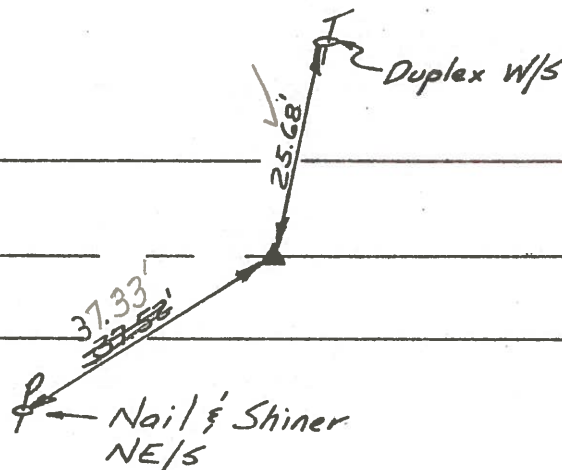
T4N, R6E

TEMP \_\_\_\_\_

PERSONNEL JG  
BB  
MS  
SS  
\_\_\_\_\_



~~78~~



Notes:

Found P.K. over R.R. Spike over Stone. Stone is  
7" deep

Replaced R.R. Spike on Surface. P.K.'s 6' N. & W.

Copied:

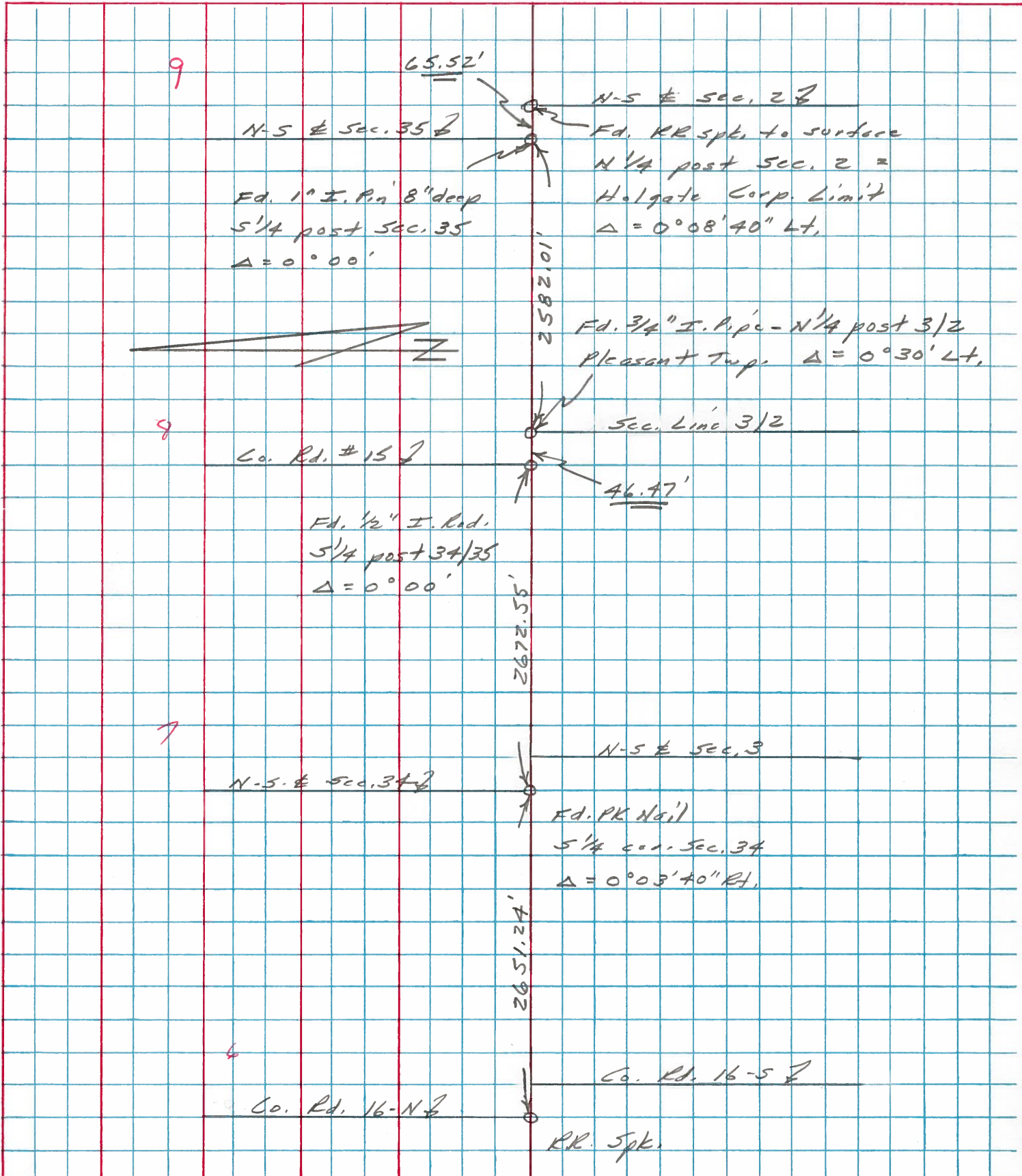
Painted: 8-76

Form CSR-1 9-76

PERSONNEL	TITLE	PERSONNEL	TITLE	COUNTY	DATE
Stone				Henry	18 Oct. 74
Denno				S. R. #18	WEATHER Cool
Michalak				SEC. Pleasant Twp.	TEMP. 70°
Curtis					

DESCRIPTION \_\_\_\_\_ Alignment \_\_\_\_\_ JOB NO. \_\_\_\_\_

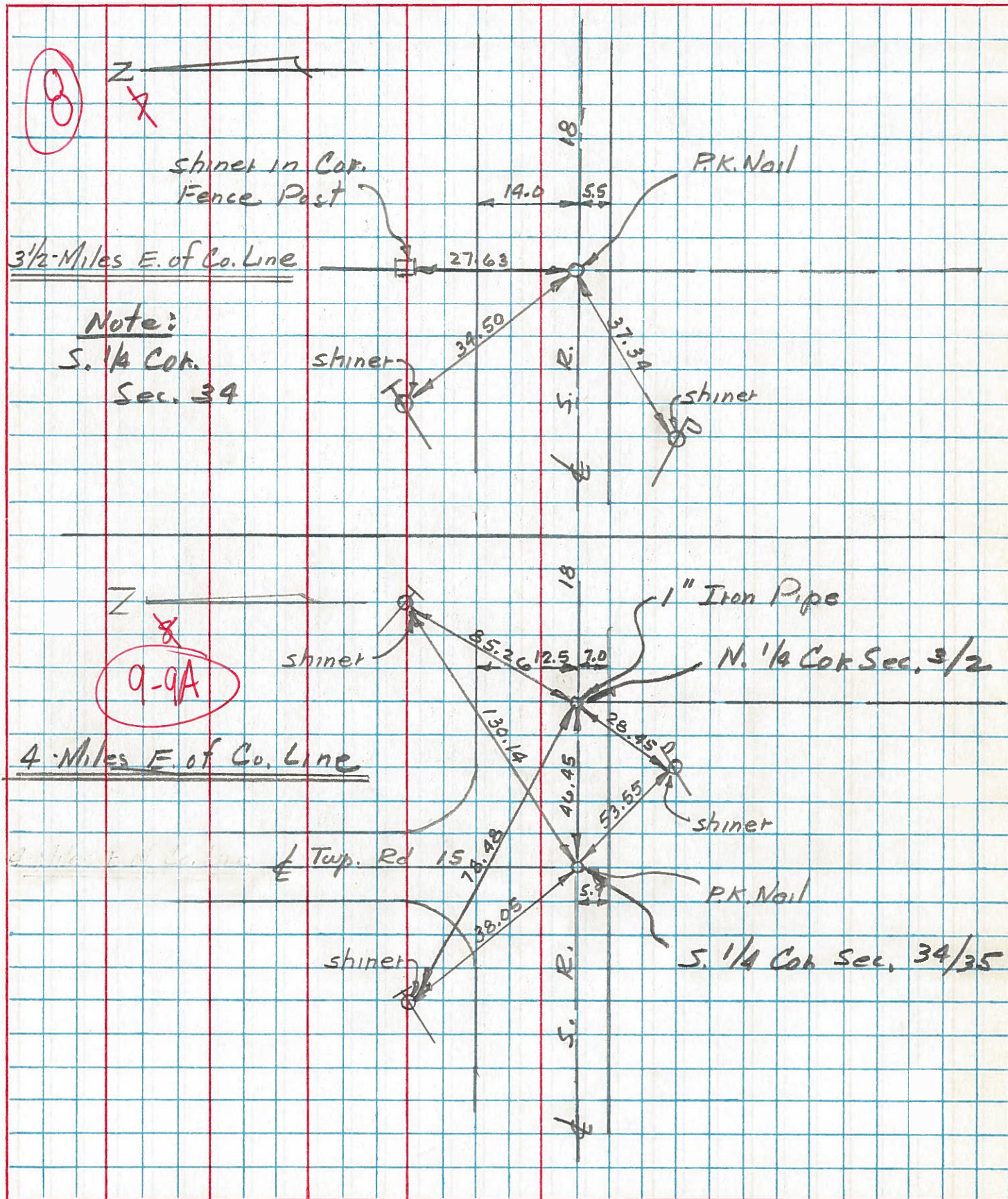
LEFT \_\_\_\_\_ CENTER LINE \_\_\_\_\_ RIGHT \_\_\_\_\_



PERSONNEL TITLE PERSONNEL TITLE  
 W. Denno \_\_\_\_\_  
 R. Micholak \_\_\_\_\_  
 D. Curtis \_\_\_\_\_

COUNTY Henry DATE July 30, 74  
 S. R. 18 WEATHER Warm  
 SEC. \_\_\_\_\_ TEMP. 75° ±

DESCRIPTION References To Control Points JOB NO. 02999(0)



PERSONNEL TITLE PERSONNEL TITLE COUNTY HENRY DATE Aug 73  
 Red Beach Newcomb S. R. 18 WEATHER \_\_\_\_\_  
 Knape Mead SEC. S.H. 318 Sec. N TEMP. \_\_\_\_\_

DESCRIPTION CONTROL POINTS JOB NO. \_\_\_\_\_

