

O.D.O.T. DISTRICT 2 SURVEY OFFICE (USE ONLY)

PERSONNEL

REFERENCE NO. 10

SHEET 18 OF 29

NOTES MOSER DATE 9/10/09
 H.C. GOLDBERG WEATHER SUNNY
 R.C. PIETKOWSKI TEMP. 75°

ROUTE SR 18
 COUNTY HENRY
 TOWNSHIP FLATROCK
 SECTION 35
 T 4 N R 6 E

DWG BY NIESE PID NO PID

TYPE MONUMENT P.K./WASHER

ON SURFACE - ~~BELOW~~ ON

OFFSET 0 PAVEMENT 1.0' ~~±~~ : RT

9.2' TO RT EDGE PAVEMENT

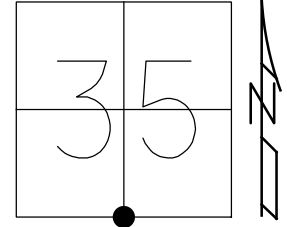
STATION: 234+12

HORZ.DATUM: NAD83(2011)

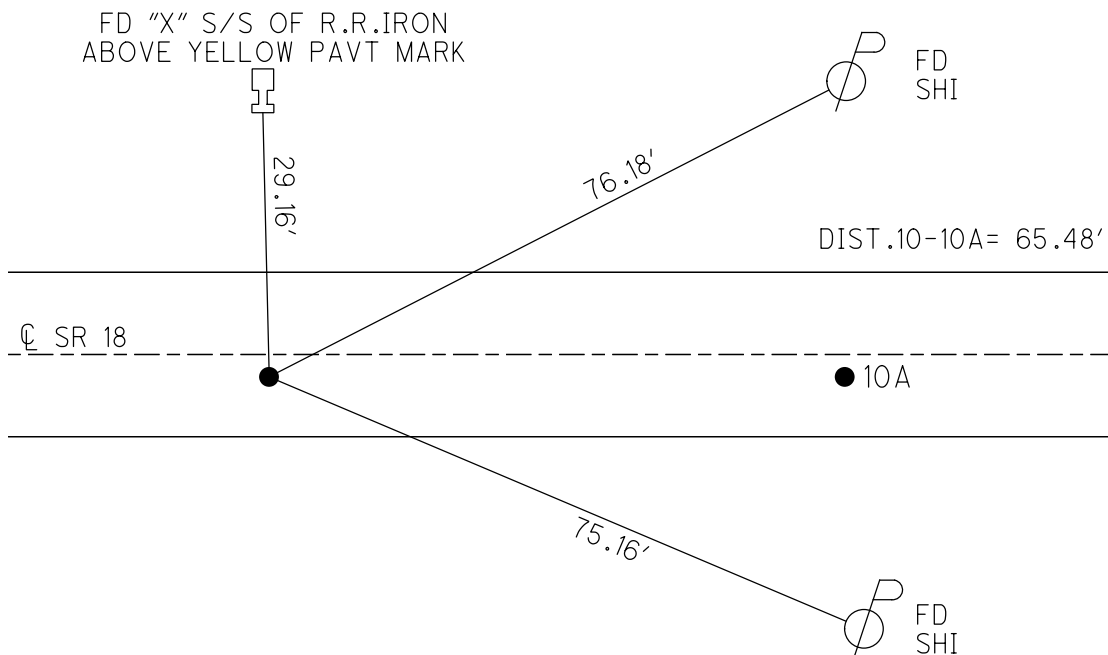
GEOID: 2012A

GRID: NORTHING: 582377.110

EASTING: 1516897.190



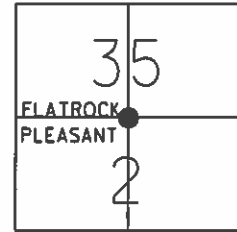
RECORD:
 FD STONE 13" DOWN
 SM.R.R.SPIKE NEAR SURFACE
 5/8" REBAR ANGLED
 OVER CENTER OF STONE
 REPLACED REBAR AS FOUND
 1976
 FD P.K./WASHER
 SV117
 9/10/09, KPM
 SET MAG/WASHER
 10/20/09, KPM
 FD MAG/WASHER
 REF10
 8/6/19, JFO



O.D.O.T. DISTRICT 2 SURVEY OFFICE (USE ONLY)

| | | |
|------------------------|-------------------------|------------------------------|
| PERSONNEL | REFERENCE NO. <u>10</u> | SHEET <u>18</u> OF <u>29</u> |
| NOTES <u>MOSER</u> | DATE <u>09-10-09</u> | ROUTE <u>SR 18</u> |
| H.C. <u>GOLDBERG</u> | WEATHER <u>SUNNY</u> | COUNTY <u>HENRY</u> |
| R.C. <u>PIETKOWSKI</u> | TEMP. <u>+75°</u> | TOWNSHIP <u>PLEASANT</u> |
| | | SECTION <u>35 - 2</u> |
| | | T <u>4</u> N R <u>6</u> E |

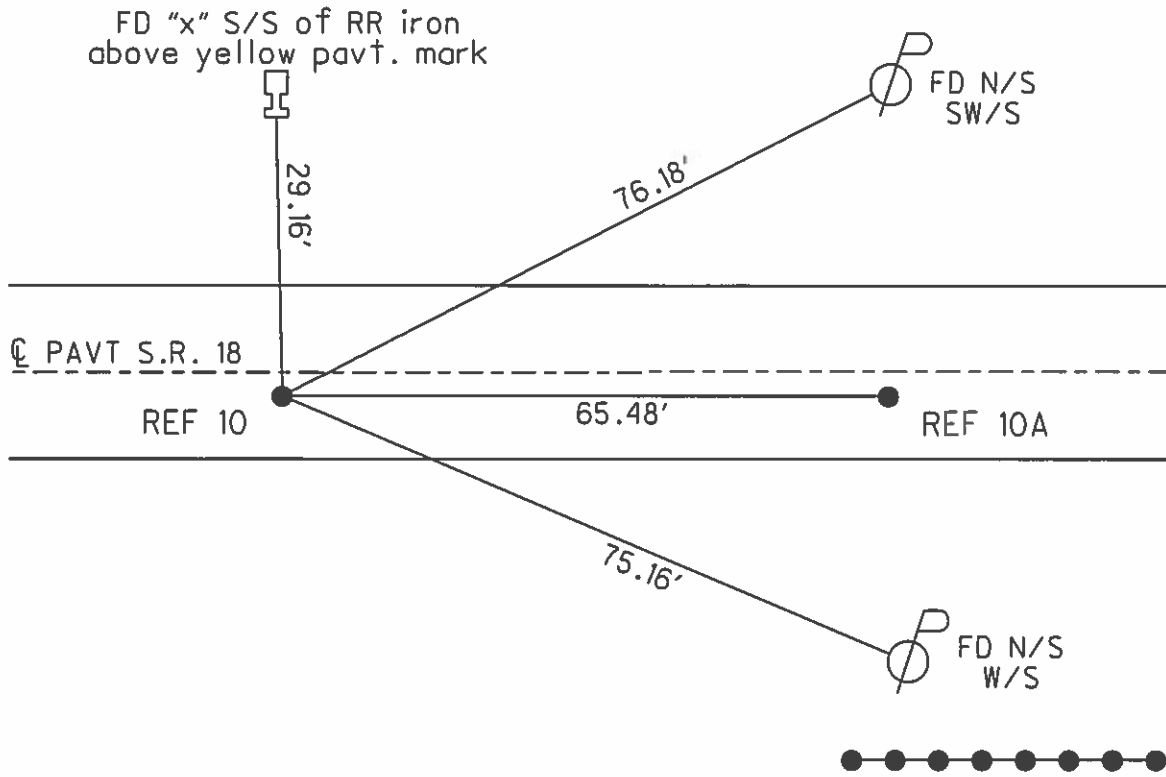
TYPE MONUMENT PK/WASHER
 ON SURFACE - ~~BELOW~~ ON SURFACE
~~LEFT - C PAV'T~~ - RIGHT 1.0'
9.2' TO RT. EDGE PAVEMENT
 S.L.M. 234+12 (SV117)



Grid: Northing: 582377.079 Easting: 1516897.176

Record: S1/4 cor. sec. 35
 Flatrock twp Fd. stone 13" deep
 small RR spk near surface 5/8" rebar
 angled over center of stone.
 Replaced Rebar as found.
 Henry Co. 1976

SET MAG/WASHER
 10-20-09 KPM



O.D.O.T. DISTRICT 2 SURVEY OFFICE

PERSONNEL

REFERENCE NO. 10-10A

SHEET 10 OF 11

NOTES HUSS

H.C. VAN DUSEN

R.C. HUSS

DATE 6-1-95

WEATHER CLOUDY / DRIZZLE

TEMP. +65°F

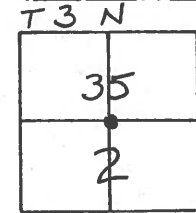
ROUTE S.R. 18

COUNTY HENRY

TOWNSHIP FLATROCK-PLEASANT

SECTION 35 - 2

T 4 N R 6 E



TYPE MONUMENT PK'S & WASHERS

ON SURFACE - BELOW YES - YES

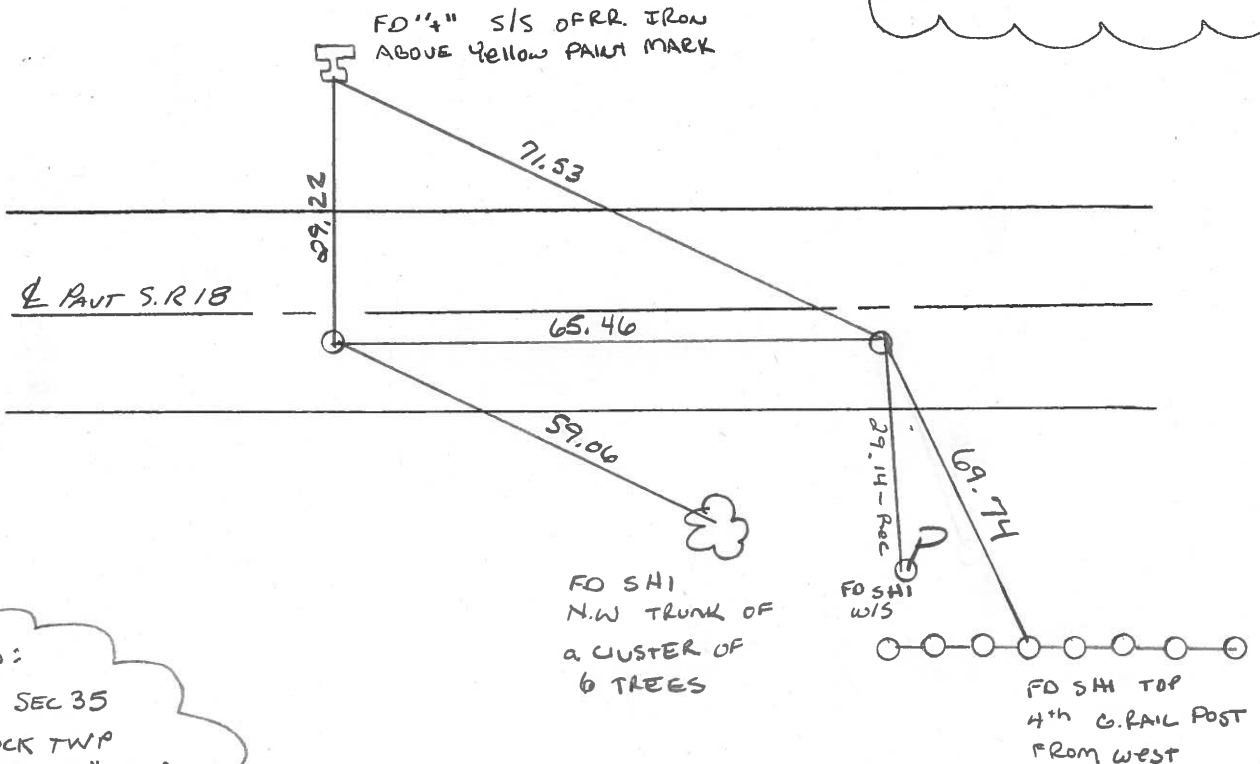
LEFT-~~C~~ PAV'T. - RIGHT 0.6' - 0.5'

9.6 TO RT. EDGE PAVEMENT

S.L.M. 234+10 ~ 234+78

SET PK'S WASHERS
 8-28-95
 SAH

RECORD:
 N 1/4 COR SEC 2
 PLEASANT TWP.
 Fd. 1 1/2" I. PIPE 5 1/2" DEEP
 W/ BABY R.R. SPK. ON SURFACE
 OVER PIPE, FOUND NO STONE
 Fd. PIECES OF WOOD HUB
 ALONG PIPE, REPLACED
 BABY R.R. SPK ON SURFACE



RECORD:
 S 1/4 COR SEC 35
 FLATROCK TWP
 Fd. STONE 13" DEEP
 BABY R.R. SPK NEAR SURFACE
 5/8" REBAR ANGLED OVER CTR
 OF STONE
 REPLACED REBAR AS FOUND
 HENRY CO. 1976

O.D.O.T. DISTRICT 2 SURVEY OFFICE

PERSONNEL

REFERENCE NO. 10-10A

SHEET _____ OF _____

NOTES BARNHISEL

H.C. Loehrke

DATE Aug 12, 1986

ROUTE SR 18

R.C. SOCKMAN

WEATHER SUNNY

COUNTY HENRY

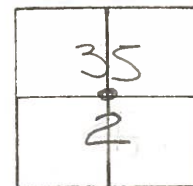
TEMP. +82°

TOWNSHIP FLATROCK - PLEASANT

SECTION 35 - 2

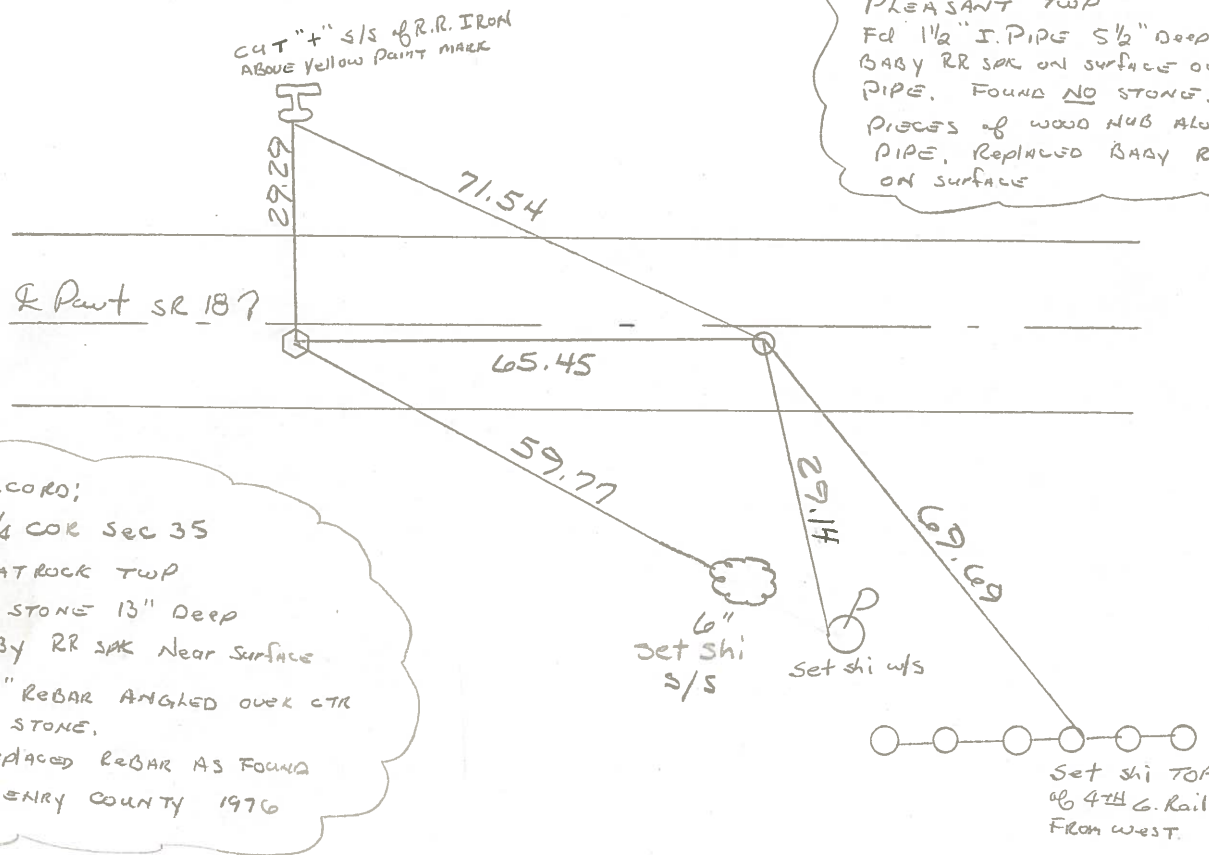
T4 N R 6 E
T3 N

TYPE MONUMENT PK/NAIL-IRON PIPE
 ON SURFACE - BELOW 1 1/2" below - surface
 LEFT-~~C~~ PAV'T. - RIGHT 0.5' - 0.4'
9.5 TO RT EDGE PAVEMENT
9.5 RT
 S.L.M. 233+82 - 234+47



Set Sm RR Spk's
6-15-87
MAB

Records:
 N 1/4 cor sec 2
 PLEASANT TWP
 Fd 1 1/2" I. PIPE 5 1/2" deep w/rd
 BABY RR SAK ON SURFACE OVER
 PIPE. FOUND NO STONE. Fd
 PIECES of WOOD HUB ALONG
 PIPE. Replaced BABY RR SAK
 ON SURFACE



Records:
 S 1/4 cor sec 35
 FLATROCK TWP
 Fd STONE 13" Deep
 BABY RR SAK Near Surface
 5/8" REBAR ANGLED OVER CTR
 of STONE.
 Replaced REBAR AS FOUND
 HENRY COUNTY 1976

HENRY COUNTY ENGINEER'S OFFICE
CORNER STONE RECOVERY PROGRAM

Sht. 9 of
S.R. 1

TOWNSHIP FLATROCK

DATE 6-4-76

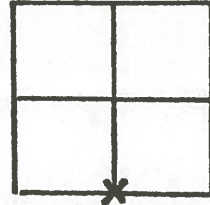
SECTION 35

WEATHER _____

T4N, R6E

TEMP _____

PERSONNEL J.G.
B.B.
R.S.
S.S.
M.S.



10-10A

9

NEAR FACE
IRON FENCE POST

GONE
NAIL & SHINER
SW/S

E S.R. 18

NORTH 1/4 COR. SEC. 2
PLEASANT TWP.

29.39'
29.36'

65.32'

68.67'

NAIL & SHINER
NW/S

NOTES:

FOUND STONE 13" DEEP ON E S.R. 18 WITH BABY R.R. SPK.
NEAR SURFACE & 5/8" REBAR ANGLED OVER CENTER OF STONE REPLACED
REBAR AS FOUND. PLACED P.K.'S 6' N. & E.

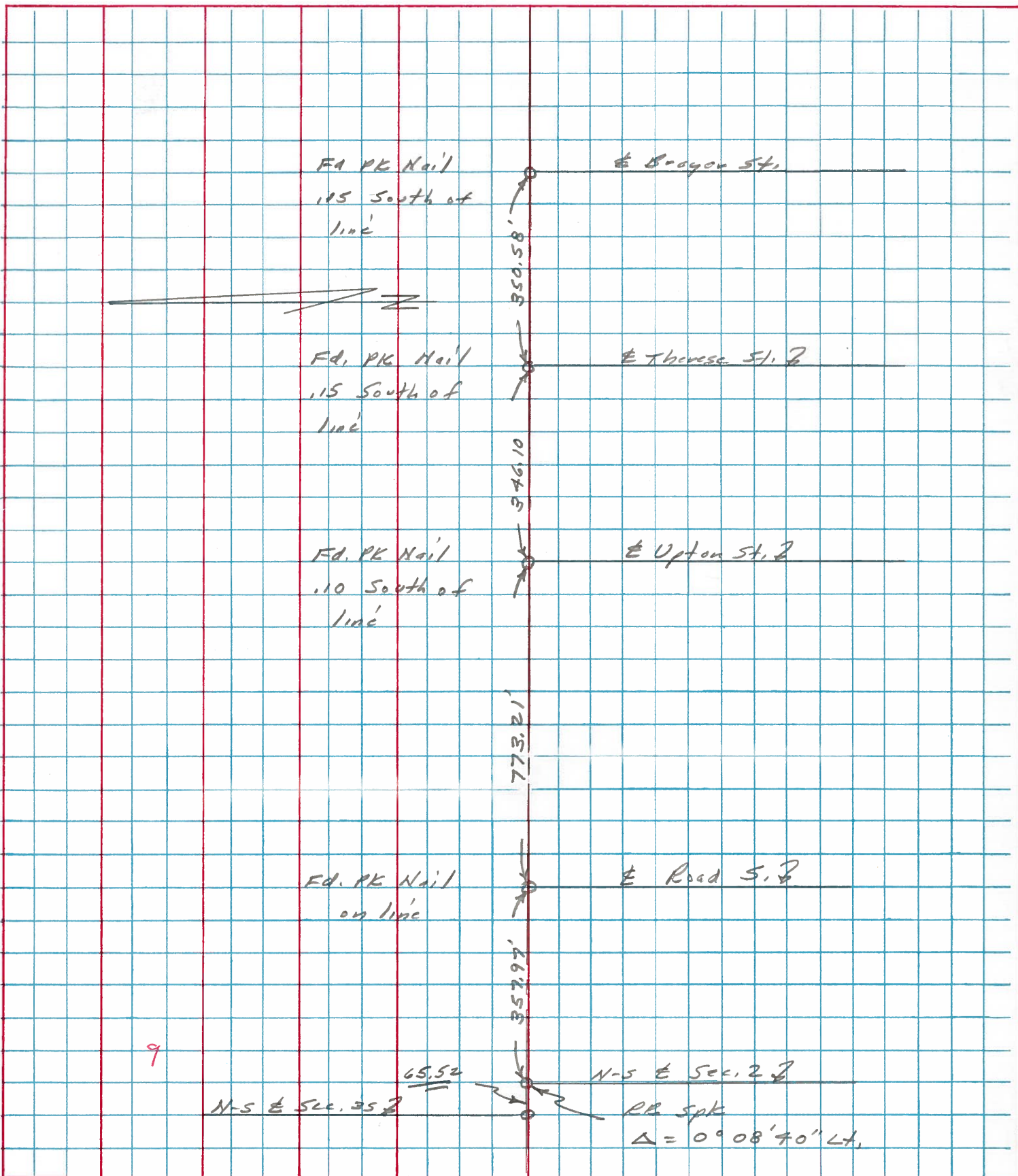
Copied:

Painted:

Form CSR-1 9-76

| PERSONNEL | TITLE | PERSONNEL | TITLE | COUNTY | DATE |
|-----------|-------|-----------|-------|--------------|--------------|
| Stone | | | | Henry | 22 Oct. 74 |
| Michalek | | | | S. R. #18 | WEATHER Cool |
| Denno | | | | SEC. Holgate | TEMP. 34° |
| Curtis | | | | | |

DESCRIPTION _____ Alignment _____ JOB NO. _____
 LEFT _____ CENTER LINE _____ RIGHT _____



PERSONNEL TITLE PERSONNEL TITLE
 W. Denno _____
 R. Michalak _____
 D. Curtis _____

COUNTY Henry DATE Aug 19, '74
 S. R. 18 WEATHER Warm
 SEC. _____ TEMP. 75° ±

DESCRIPTION References To Control Points LEFT CENTER LINE RIGHT JOB NO. 02999 (0)

