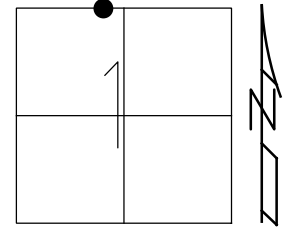


O.D.O.T. DISTRICT 2 SURVEY OFFICE (USE ONLY)

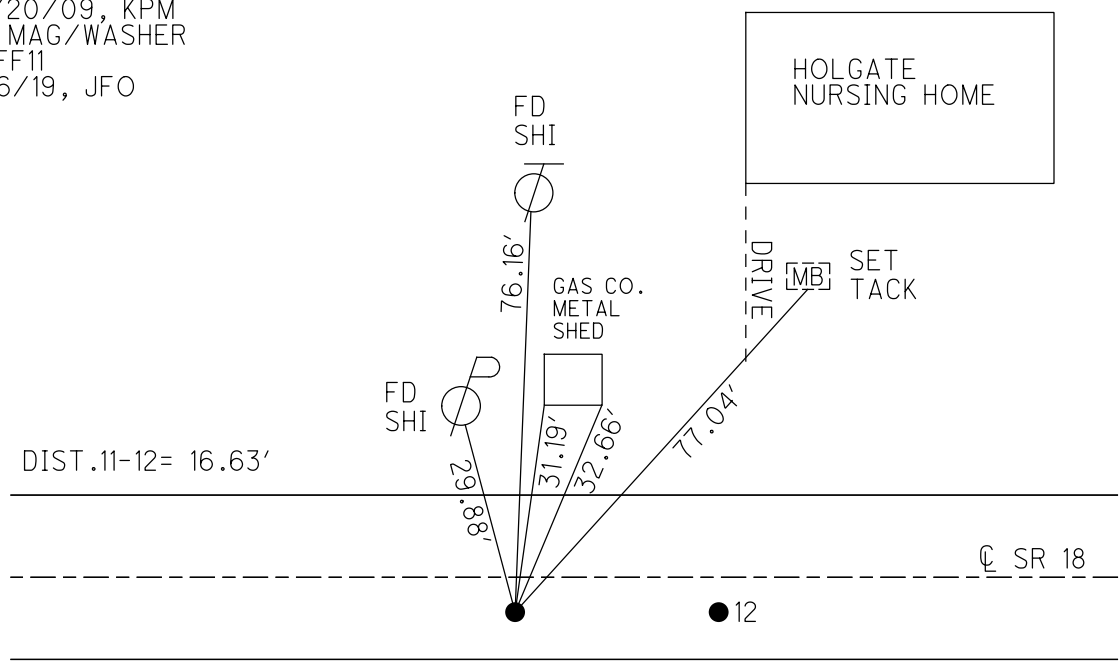
PERSONNEL _____ REFERENCE NO. 11 F SHEET 27 OF 29
 NOTES MOSE DATE 9/10/09 ROUTE SR 18
 H.C. GOLDBERG WEATHER SUNNY COUNTY HENRY
 R.C. PIETKOWSKI TEMP. 75° TOWNSHIP PLEASANT
 DWG BY NIESE PID NO PID SECTION 1
 T 3 N R 6 E

TYPE MONUMENT P.K.NAIL
 ON SURFACE - ~~BELOW~~ ON
 OFFSET ☉ PAVEMENT 2.0' ~~±~~ : RT
7.4' TO RT EDGE PAVEMENT
 STATION: 287+00



HORZ.DATUM: NAD83(2011) GEOID: 2012A
 GRID: NORTHING: 582341.033 EASTING: 1522213.726

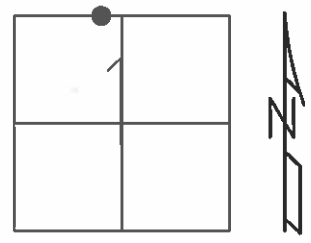
RECORD:
 FD P.K.NAIL
 SV126
 9/10/09, KPM
 SET MAG/WASHER
 10/20/09, KPM
 FD MAG/WASHER
 REFF11
 8/6/19, JFO



O.D.O.T. DISTRICT 2 SURVEY OFFICE (USE ONLY)

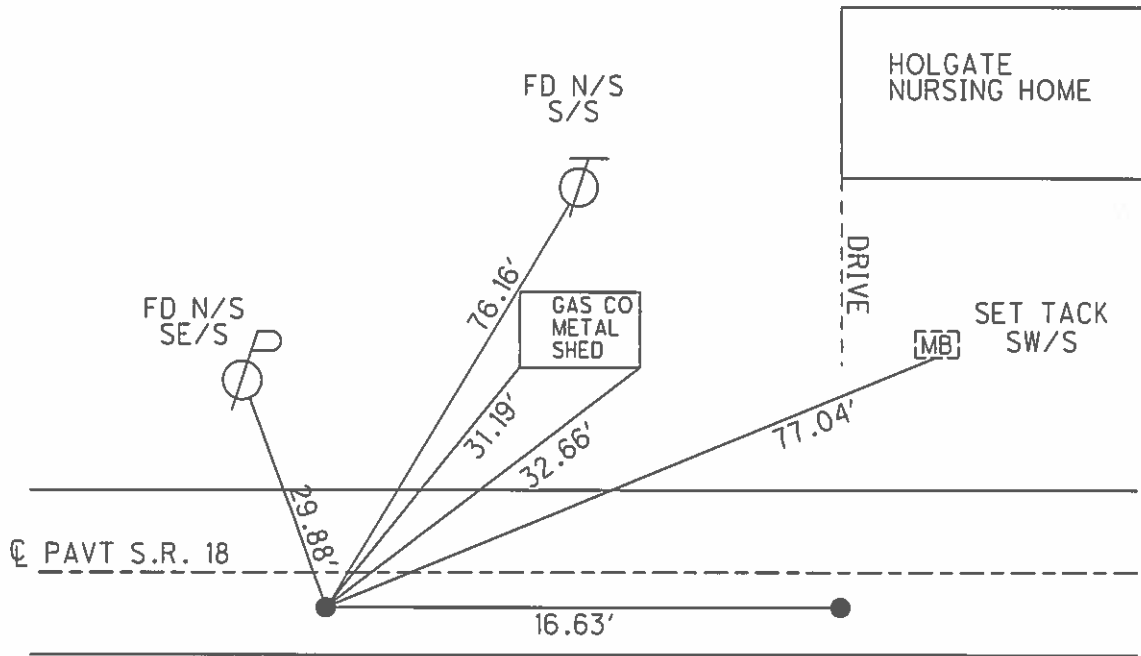
PERSONNEL _____ REFERENCE NO. 11 F SHEET 27 OF 29
 NOTES MOSER DATE 09-10-09 ROUTE SR 18
 H.C. GOLDBERG WEATHER SUNNY COUNTY HENRY
 R.C. PIETKOWSKI TEMP. +75° TOWNSHIP PLEASANT
 SECTION 1
 T 3 N R 6 E

TYPE MONUMENT PK NAIL
 ON SURFACE - ~~BELOW~~ ON SURFACE
~~LEFT - C PAV'T~~ - RIGHT 2.0'
7.4 TO RT EDGE PAVEMENT
 S.L.M. 287+00 (SV126)



GRID: NORTHING: 582341.019 EASTING: 1522213.721

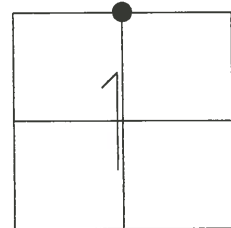
SET MAG/WASHER
10-20-09 KPM



O.D.O.T. DISTRICT 2 SURVEY OFFICE (USE ONLY)

PERSONNEL	REFERENCE NO. <u>11 A</u>	SHEET <u>1</u> OF <u>31</u>
NOTES <u>NUHFER</u>	DATE <u>6/26/08</u>	ROUTE <u>SR 18</u>
H.C. <u>MOSER</u>	WEATHER <u>CLEAR</u>	COUNTY <u>HENRY</u>
R.C. <u>NUHFER</u>	TEMP. <u>83°</u>	TOWNSHIP <u>PLEASANT</u>
		SECTION <u>1</u>
		T <u>3</u> N R <u>6</u> E

TYPE MONUMENT SM.R.R.SPIKE
 ON SURFACE - ~~BELOW~~ ON _____
~~LEFT~~ - Q PAV'T - RIGHT 2.4'
7.5' TO RT EDGE PAVEMENT
 S.L.M. 287+00

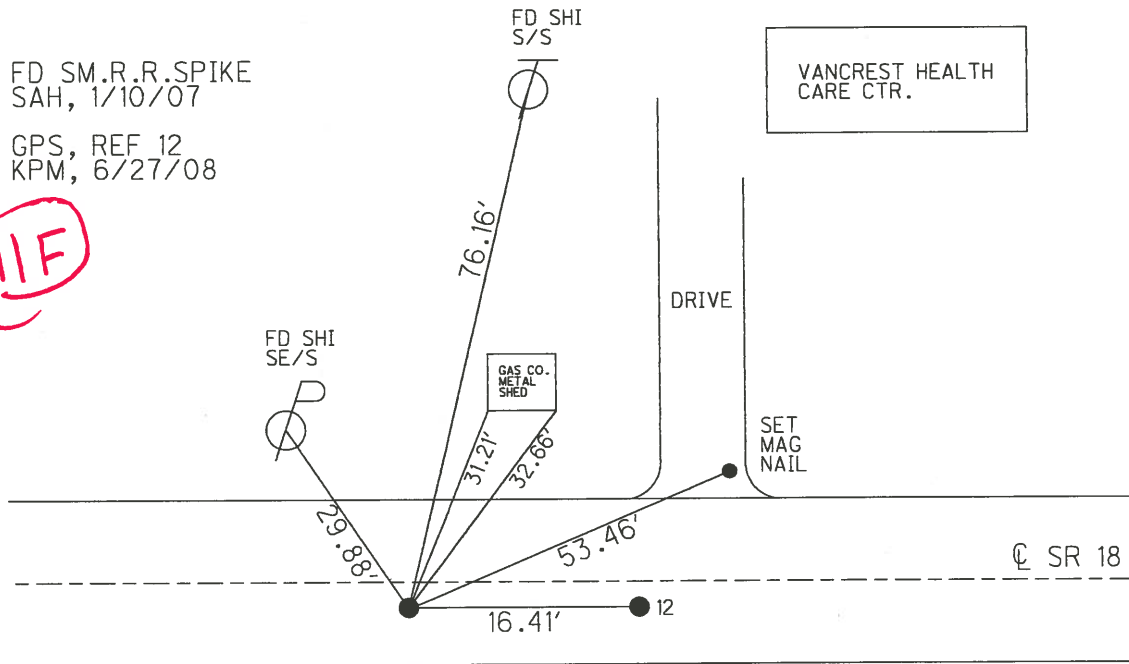


Grid: Northing: 582340.485 Easting: 1522230.356

FD SM.R.R.SPIKE
 SAH, 1/10/07

GPS, REF 12
 KPM, 6/27/08

IIF



O.D.O.T. DISTRICT 2 SURVEY OFFICE

PERSONNEL _____

REFERENCE NO. 12

SHEET _____ OF _____

NOTES Sockman

H.C. BARNDISSEL

R.C. LochHrke

DATE 8-12-87

WEATHER Clear

TEMP. +72

ROUTE SR 18

COUNTY HENRY

TOWNSHIP PLeasant

SECTION 1

T3 N R 6 E

TYPE MONUMENT PK NAILS

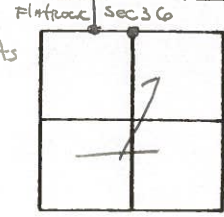
ON SURFACE - ~~BELOW~~

LEFT - ~~0~~ PAVT. - RIGHT 2.7' - 2.8'

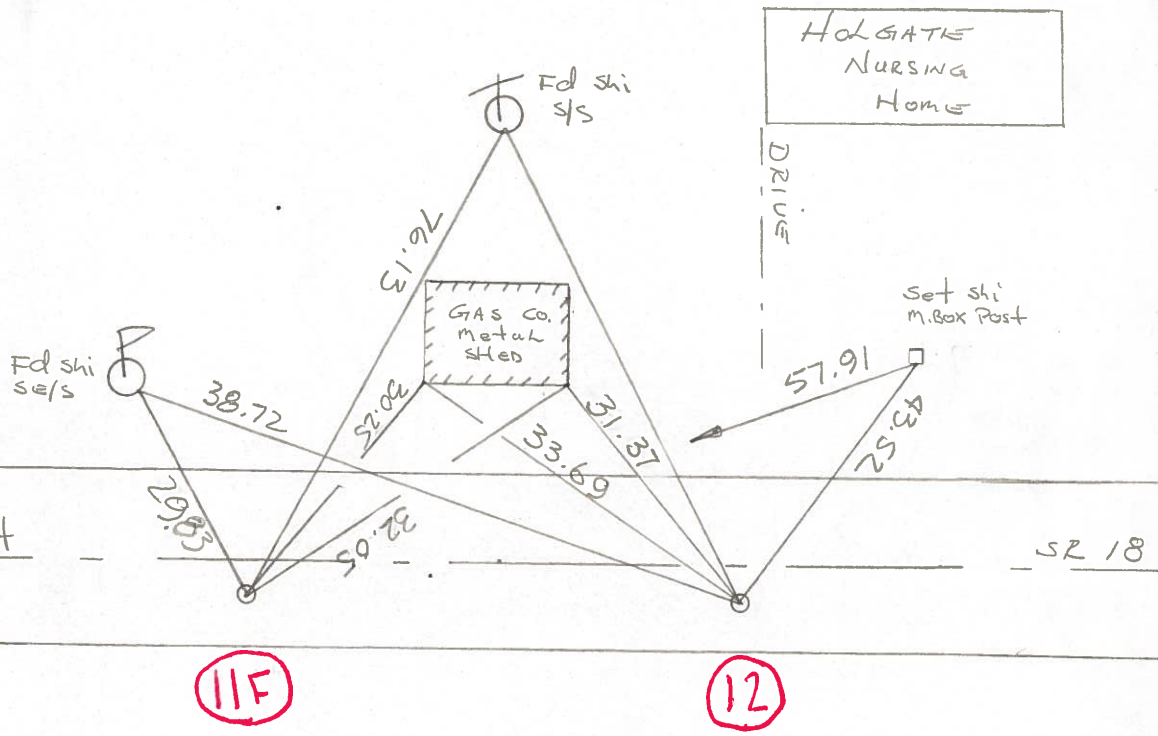
6.6 TO EDGE PAVEMENT

S.L.M. 287+00 - 287+16

Set small RR. SPK'S BOTH points 8-20-87 SWH



BETWEEN 16.39



OD.OT. DISTRICT 2 SURVEY OFFICE

SHEET 5 OF

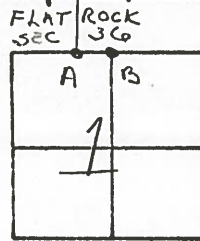
County HENRY S.R. 18
 Township PLEASANT - IN HOLGATE
 Section 1 VILLAGE

Date 5-28-81 *8-20-81*
 Weather PART. Cloudy *clear*
 Temp. +60° *+75°*

T3N, R6E

Personnel S. Hoffman
C. Loehrke
J. Householder

11F
12



PT. "A" Fd. R.R. SPK @ SURFACE

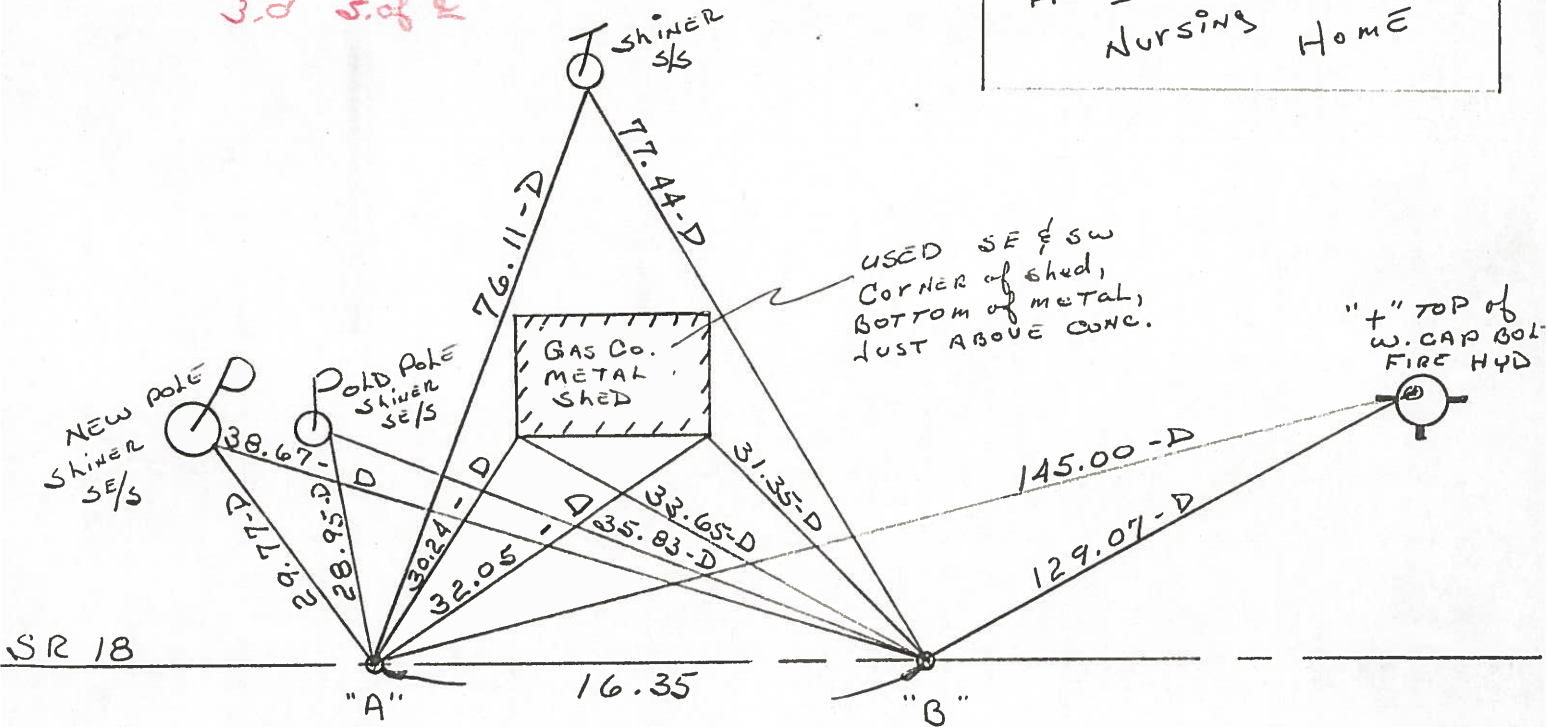
PROJECT STA. ± 287+19

set P.K. washer
~~15.0~~ *14* TO N. EDGE PAUT.
~~9.1~~ *7.2* TO S. EDGE PAUT.
~~2.7~~ *2.7* *sof k*

PT. "B" Fd. R.R. SPK. 1" Below Surface-PROJECT STA. ± 287+35

~~14.0~~
~~13.3~~ TO N. EDGE PAUT.
~~9.1~~ *6.5* TO S. EDGE PAUT.
~~3.0~~ *3.0* *sof k*

HOLGATE
 NURSING HOME



SR 18

"A"

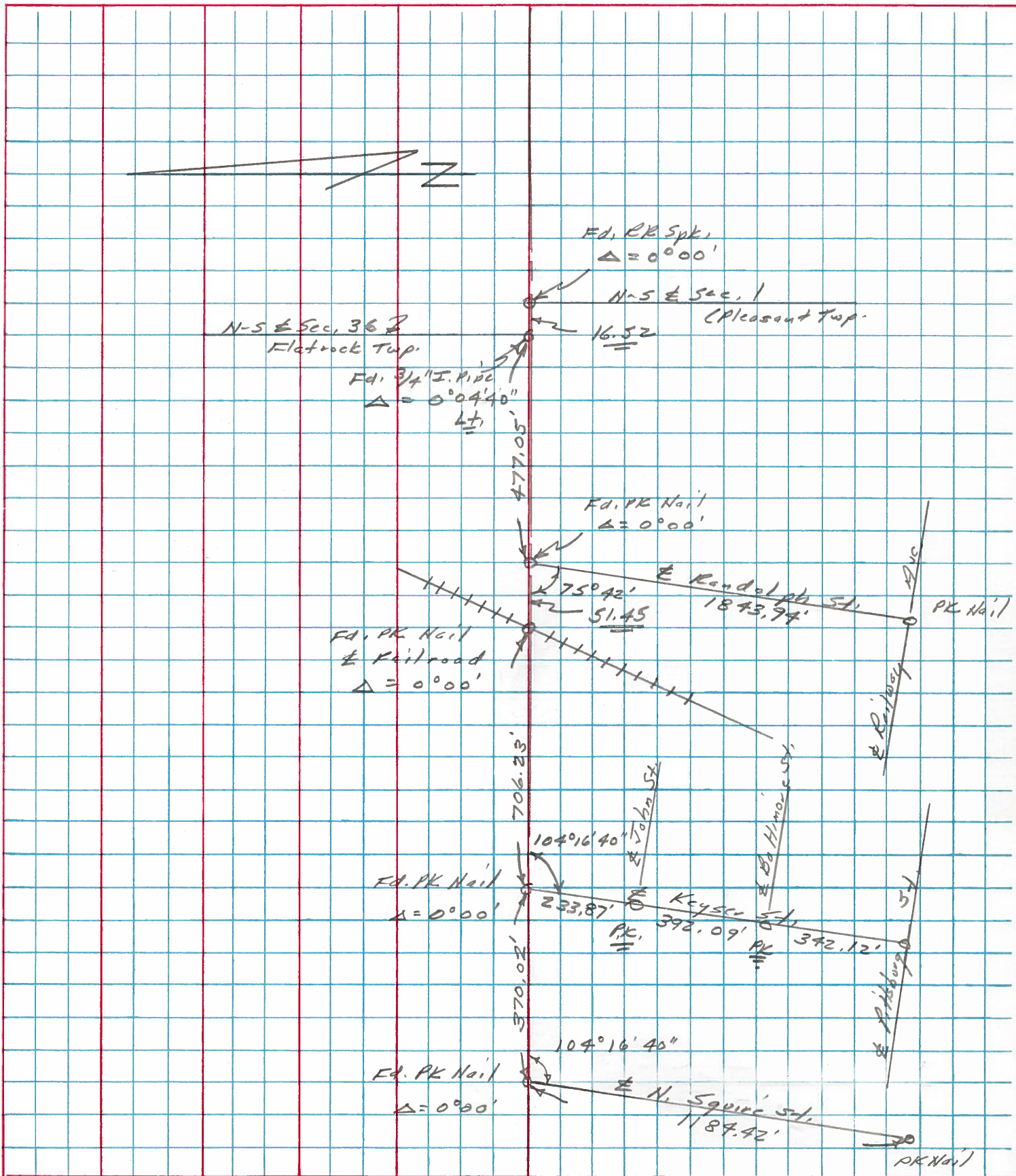
16.35

"B"

PERSONNEL	TITLE	PERSONNEL	TITLE	COUNTY	DATE
Stone				Henry	22 Oct. 74
Michalak				S. R. #18	WEATHER Cold
Dunn				SEC. Holgate	TEMP. 50°
Curtis					

DESCRIPTION Alignment JOB NO. _____

LEFT CENTER LINE RIGHT

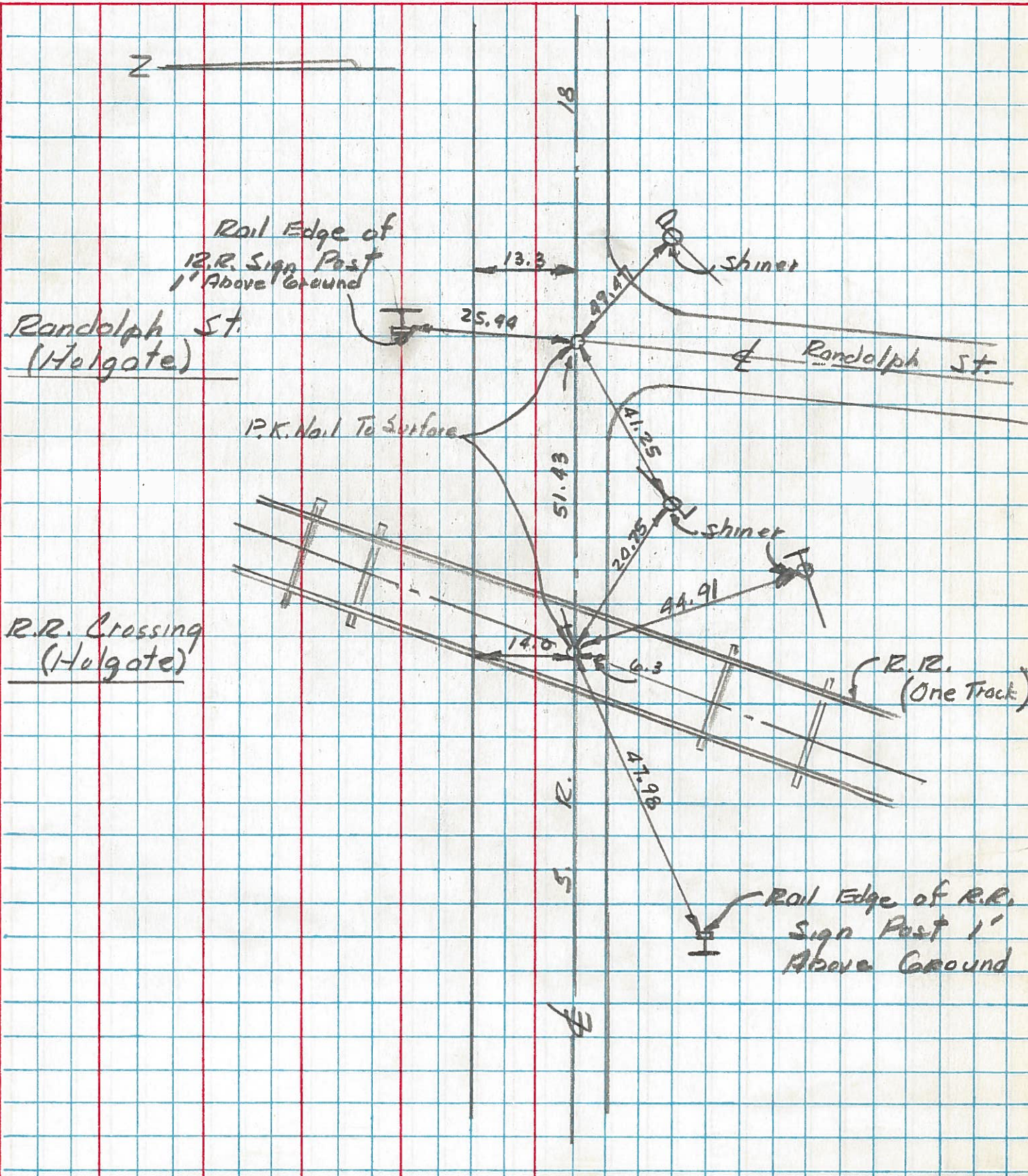


PERSONNEL	TITLE	PERSONNEL	TITLE
W. Denna			
R. Michalak			
D. Curtis			

COUNTY Henry DATE Aug. 20, '74
 S. R. 18 WEATHER Warm

SEC. _____ TEMP. 90°

DESCRIPTION References To Control Points JOB NO. 02999(0)



PERSONNEL	TITLE	PERSONNEL	TITLE
W. Denno			
R. Michalak			
D. Curtis			

COUNTY Henry DATE Aug. 20, '74

S. R. 18 WEATHER Warm

SEC. TEMP. 90°

DESCRIPTION References To Control Points LEFT CENTER LINE RIGHT JOB NO. 02999(0)

