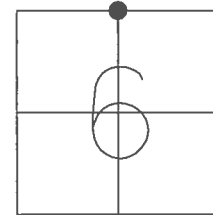


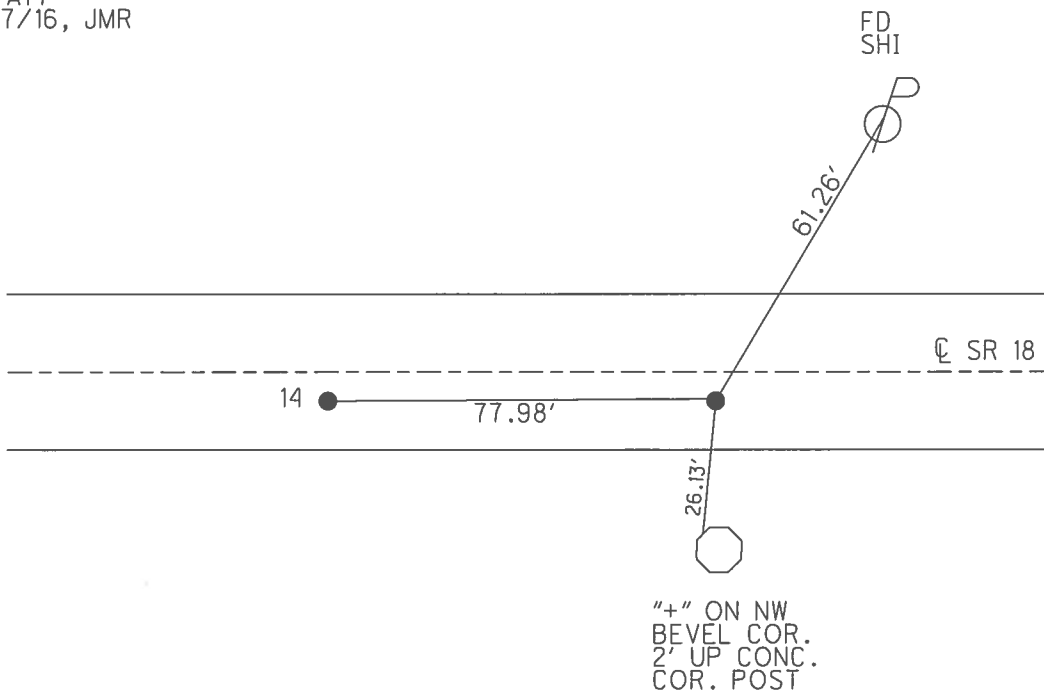
O.D.O.T. DISTRICT 2 SURVEY OFFICE (USE ONLY)

PERSONNEL _____ REFERENCE NO. 14 A SHEET 7 OF 31
 NOTES NUHFER DATE 6/26/08 ROUTE SR 18
 H.C. MOSER WEATHER CLEAR COUNTY HENRY
 R.C. NUHFER TEMP. 83° TOWNSHIP MARION
 _____ SECTION 6
 _____ T 3 N R 7 E

TYPE MONUMENT P.K./WASHER
 ON SURFACE - ~~BELOW~~ ON
~~LEFT~~ - C PAV'T - RIGHT 3.6'
5.7' TO RT EDGE PAVEMENT
 S.L.M. 340+68
 GRID: NORTHING 582267.631 EASTING: 1527579.136



RECORD:
 FD P.K./WASHER
 1/10/07, SAH
 REFA14
 6/27/08, KPM
 FD MAG/WASHER
 REFA14
 6/17/16, JMR



O.D.O.T. DISTRICT 2 SURVEY OFFICE (USE ONLY)

PERSONNEL

REFERENCE NO. 14 A

SHEET 7 OF 31

NOTES NUHFER

DATE 6/26/08

ROUTE SR 18

H.C. MOSER

WEATHER CLEAR

COUNTY HENRY

R.C. NUHFER

TEMP. 83°

TOWNSHIP MARION

SECTION 6

T 3 N R 7 E

TYPE MONUMENT P.K./WASHER

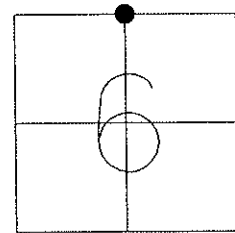
ON SURFACE - ~~BELOW~~ ON

~~LEFT~~ - Q PAV'T - RIGHT 3.6'

5.7' TO RT EDGE PAVEMENT

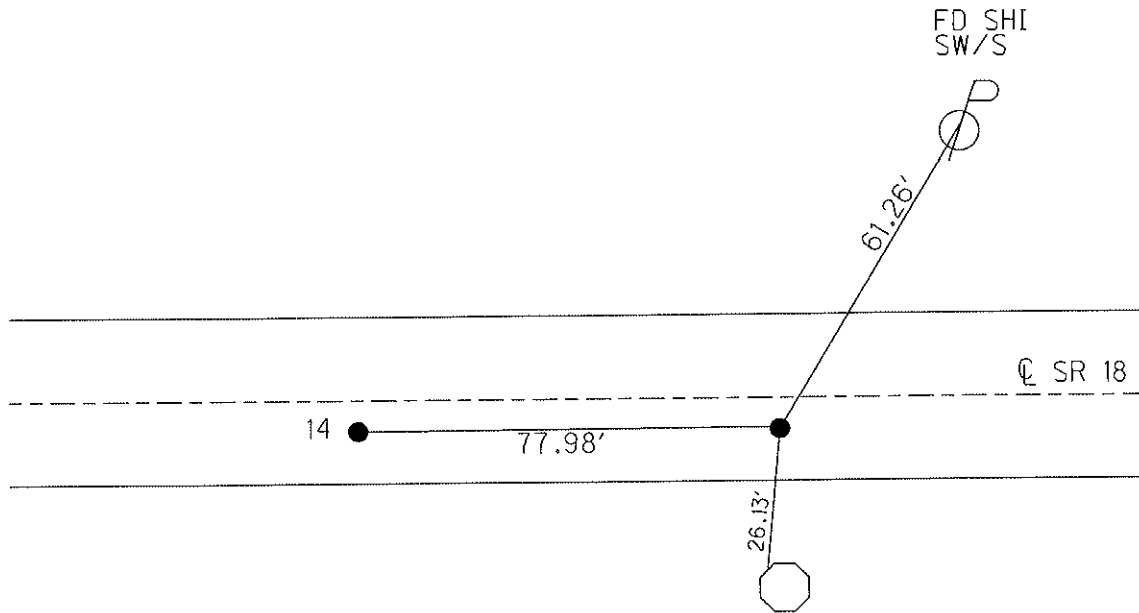
S.L.M. 340+68

Grid: Northing: 582267.593 Easting: 1527579.032



FD P.K./WASHER
SAH, 1/10/07

GPS, REF A14
KPM, 6/27/08



"+" ON NW
BEVEL COR.
2" UP CONC.
COR. POST

O.D.O.T. DISTRICT 2 SURVEY OFFICE

PERSONNEL

REFERENCE NO. 14

SHEET 1 OF

NOTES BARNHISEL

H.C. " " "

R.C. Loehert

DATE 3-30-89

WEATHER cloudy - RAIN

TEMP. +40°

ROUTE 18

COUNTY HENRY

TOWNSHIP MARION

SECTION 6

T3 N R 7 E

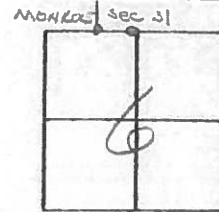
TYPE MONUMENT P.K./WASHER - P.K. WASHER

ON SURFACE - BELOW YES - YES

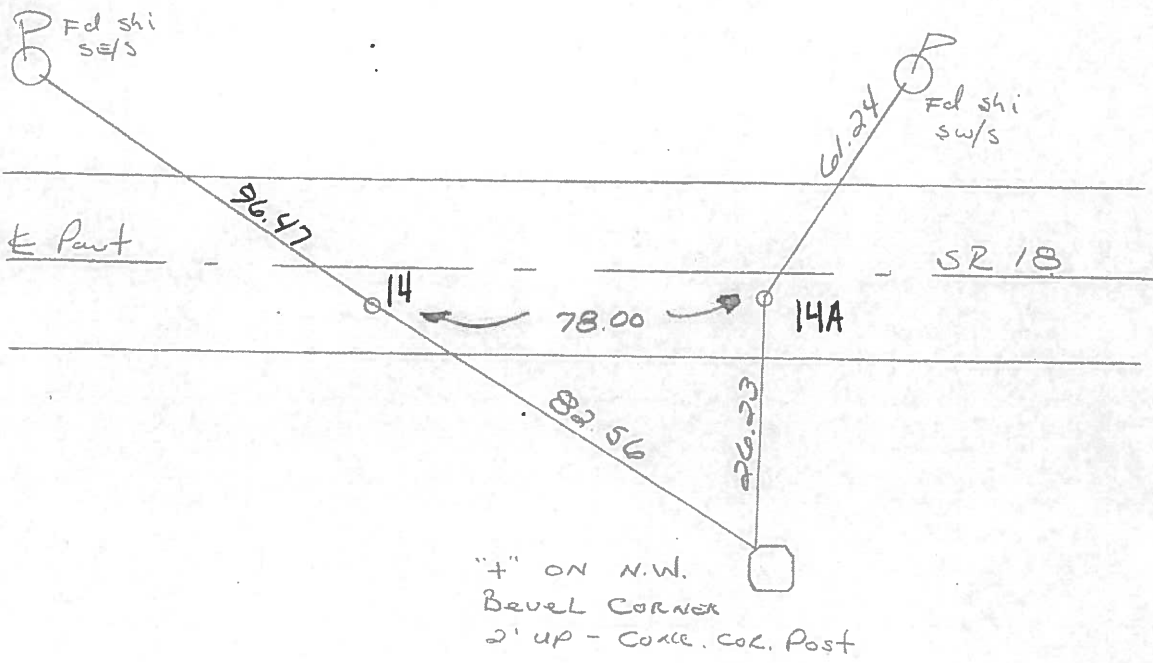
~~LEFT - 1/2~~ PAVT. - RIGHT 3.4' - 3.2'

0.3 TO RT EDGE PAVEMENT

S.L.M. 339+90 - 340+68



Set Sm RR Spt's
 6-13-89
 M.D.B.



County HENRY S.R. 18

Date 5-28-81 8-19-81

Township MARION

Weather CLEAR

Section 6

Temp. +70°

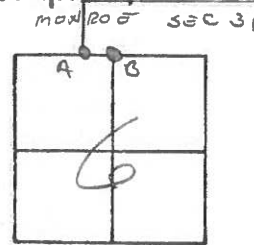
T3N, R7E

Personnel S. Hoffman

C. Loehrke

J. Householder

14

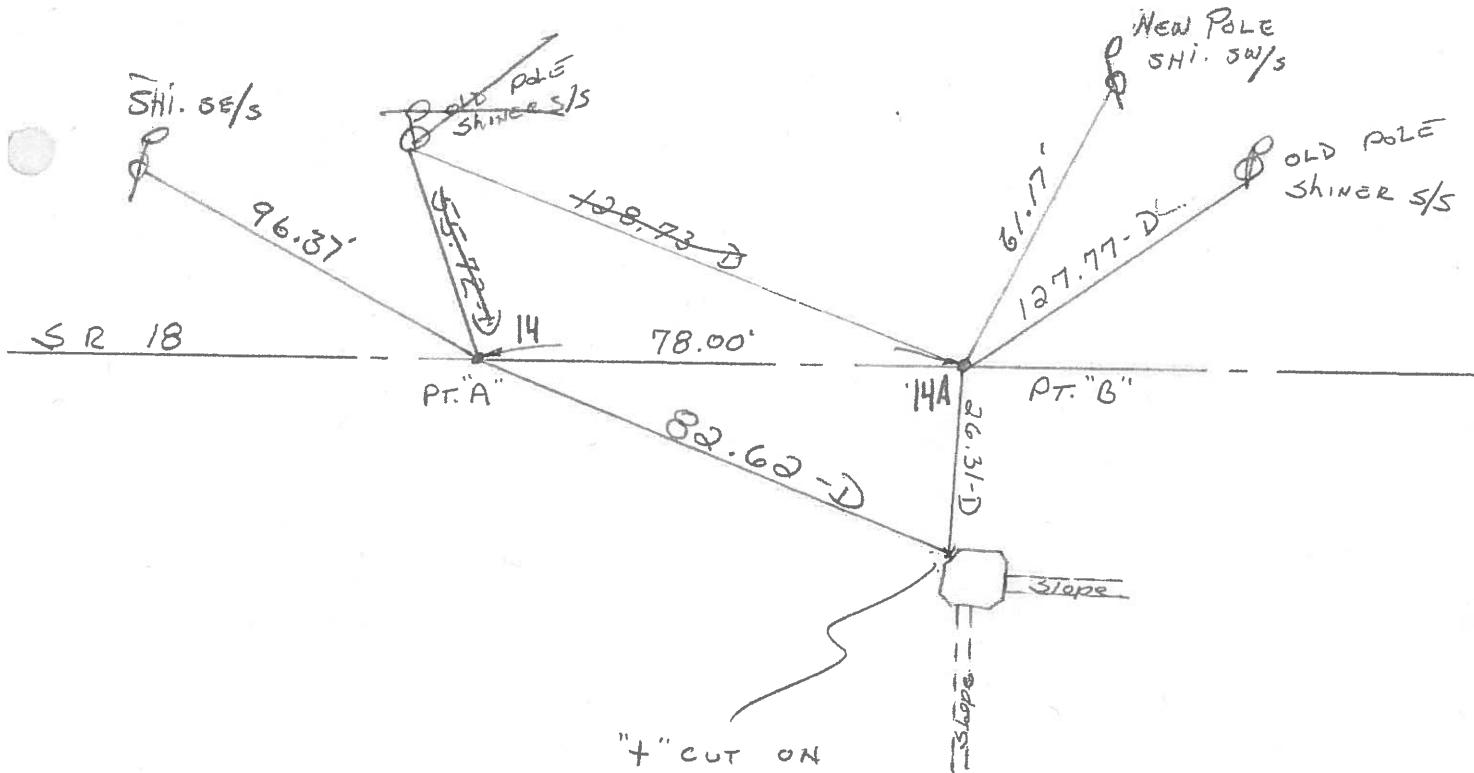


PT. A Fd. R.R. SPK @ SURFACE
SET P.K. & WASHER 11.8' TO N. Edge PAUT
6.6' TO S. Edge PAUT

PROJECT STA. ± 340+07

PT. B Fd. R.R. SPK @ SURFACE
12.0' TO N. Edge PAUT
6.7' TO S. Edge PAUT

PROJECT STA ± 348+85



"+" CUT ON
N.W. Bevel corner,
2' up from ground
ON CONC. FENCE CORNER POST

PERSONNEL	TITLE	PERSONNEL	TITLE
W. Denno			
R. Michalak			
D. Curtis			

COUNTY Henry DATE Aug 20, '74

S. R. 18 WEATHER Warm

SEC. _____ TEMP. 90°

DESCRIPTION References To Control Points JOB NO. 02999(0)

