

O.D.O.T. DISTRICT 2 SURVEY OFFICE (USE ONLY)

PERSONNEL

REFERENCE NO. 18

SHEET 14 OF 31

NOTES RHOADES

DATE 4/2/20

ROUTE SR 18

H.C. O'DONNELL

WEATHER SUNNY

COUNTY HENRY

R.C. BALBAUGH

TEMP. 50°

TOWNSHIP MONROE

SECTION 33

DWG BY NIESE

PID 105662

T 4 N R 7 E

TYPE MONUMENT MAG/WASHER

ON SURFACE - ~~BELOW~~ ON

OFFSET ☉ PAVEMENT 1.3' LT : ~~RT~~

8.5' TO LT EDGE PAVEMENT

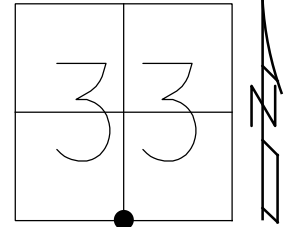
STATION: 446+00

HORZ.DATUM: NAD83 (2011)

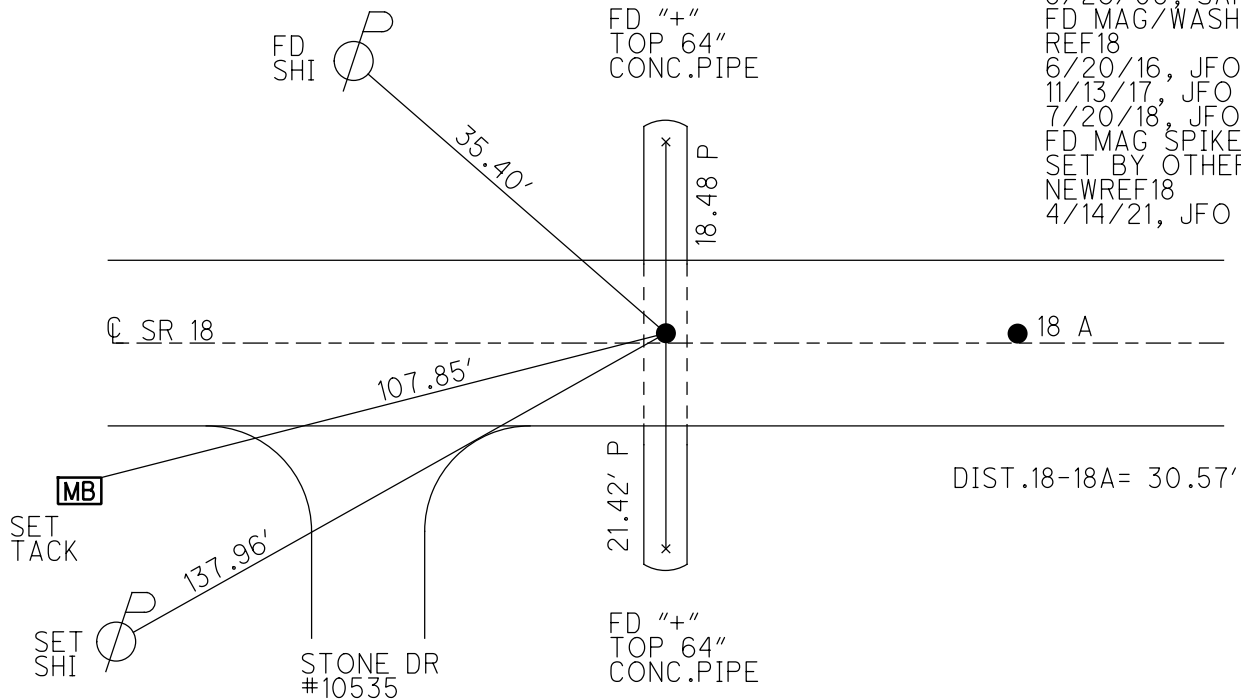
GEOID: NAVD88 2012A

GRID: NORTHING: 582110.263

EASTING: 1538105.366



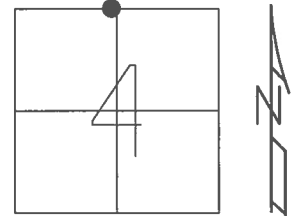
RECORD:
 SET SM.R.R.SPIKE
 6/13/89, MDB
 FD P.K./WASHER
 1/10/07, SAH
 6/27/08, KPM
 SET MAG/WASHER
 5/26/09, SAH
 FD MAG/WASHER
 REF18
 6/20/16, JFO
 11/13/17, JFO
 7/20/18, JFO
 FD MAG SPIKE
 SET BY OTHERS
 NEWREF18
 4/14/21, JFO



O.D.O.T. DISTRICT 2 SURVEY OFFICE (USE ONLY)

PERSONNEL _____ REFERENCE NO. 18 SHEET 14 OF 31
 NOTES NUHFER DATE 6/26/08 ROUTE SR 18
 H.C. MOSER WEATHER SUNNY COUNTY HENRY
 R.C. NUHFER TEMP. 85° TOWNSHIP MARION
 _____ SECTION 4
 _____ T 3 N R 7 E

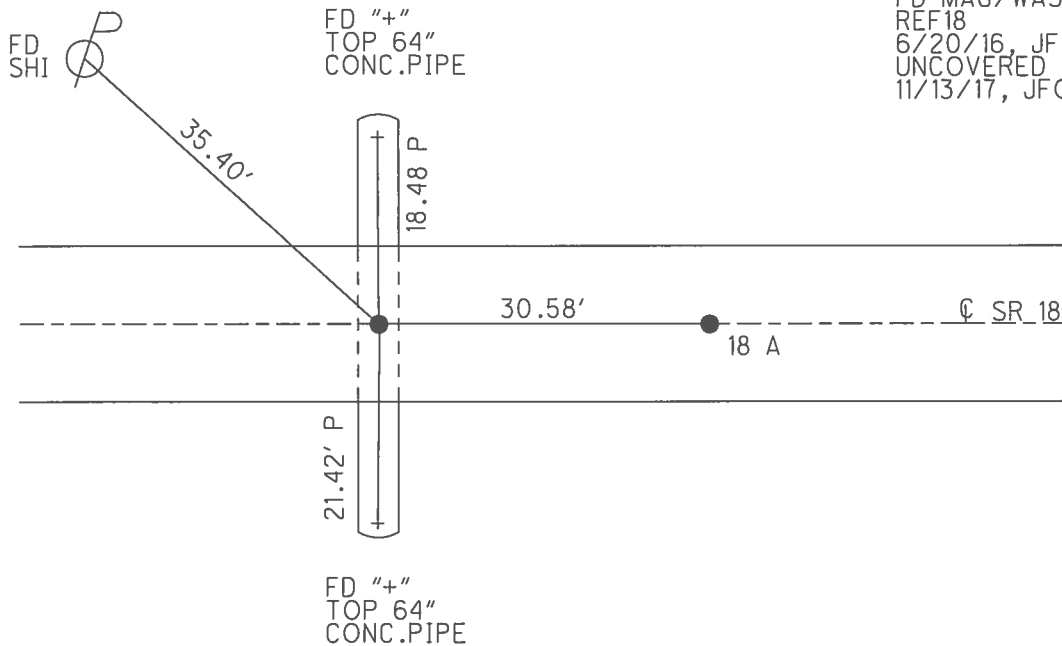
TYPE MONUMENT P.K./WASHER
 ON SURFACE - ~~BELOW~~ ON _____
 LEFT - ☉ PAV'T - ~~RIGHT~~ 1.3'
8.5' TO LT EDGE PAVEMENT
 S.L.M. 446+00



GRID: NORTHING: 582110.247 EASTING: 1538105.393

NOTE: MONROE TWP
 SEC 33 S 1/4 POST

RECORD:
 SET SM.R.R.SPIKE
 6/13/89, MDB
 FD P.K./WASHER
 1/10/07, SAH
 REF18
 6/27/08, KPM
 SET MAG/WASHER
 5/26/09, SAH
 FD MAG/WASHER
 REF18
 6/20/16, JFO
 UNCOVERED
 11/13/17, JFO



O.D.O.T. DISTRICT 2 SURVEY OFFICE (USE ONLY)

PERSONNEL

REFERENCE NO. 18

SHEET 14 OF 31

NOTES NUHFER

DATE 6/26/08

ROUTE SR 18

H.C. MOSER

WEATHER SUNNY

COUNTY HENRY

R.C. NUHFER

TEMP. 85°

TOWNSHIP MARION

SECTION 4

T 3 N R 7 E

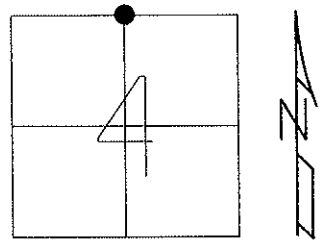
TYPE MONUMENT P.K./WASHER

ON SURFACE - ~~BELOW~~ ON

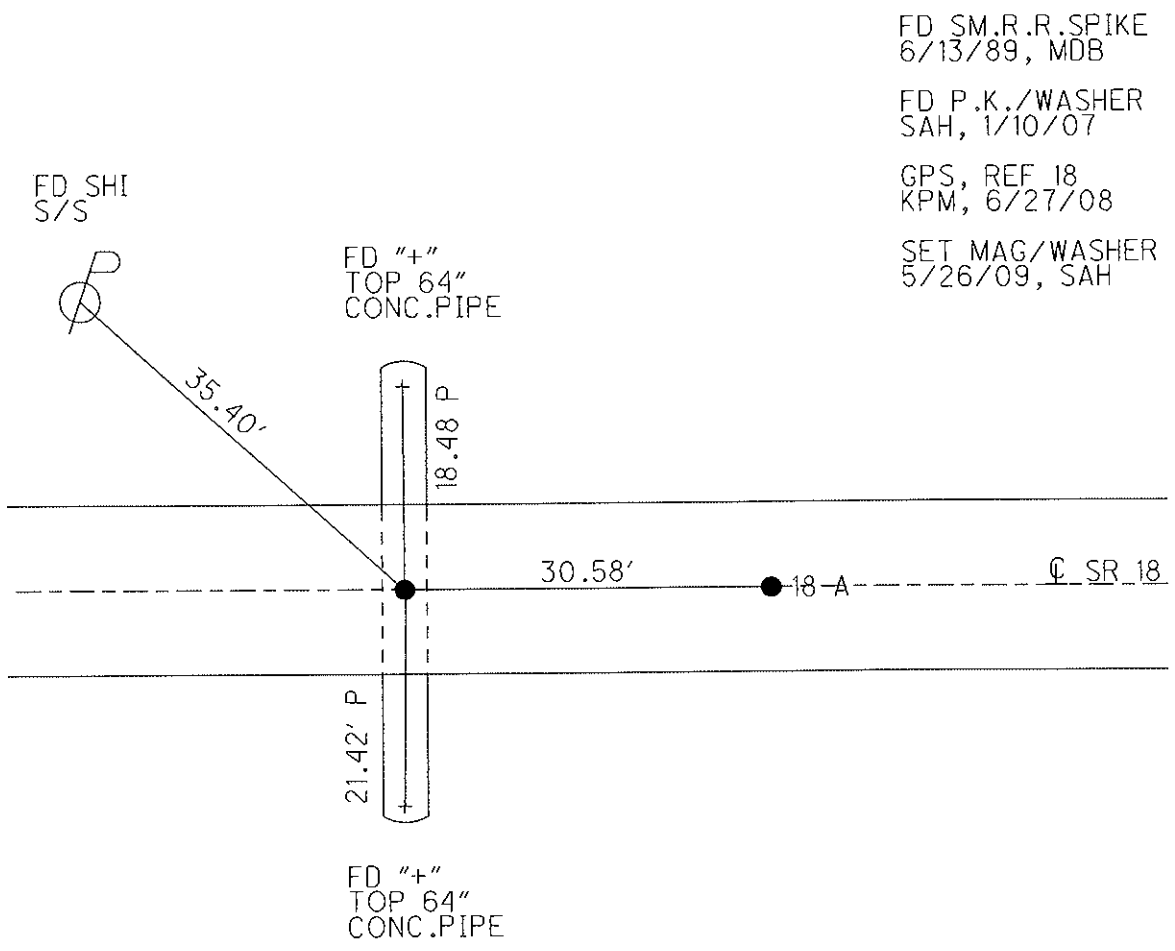
LEFT - Q PAV'T - ~~RIGHT~~ 1.3'

8.5' TO LT EDGE PAVEMENT

S.L.M. 446+00



Grid: Northing: 582110.230 Easting: 1538105.449



O.D.O.T. DISTRICT 2 SURVEY OFFICE

PERSONNEL _____

REFERENCE NO. 18

SHEET 5 OF _____

NOTES BARNHISEL

H.C. _____

DATE 4-3-89

ROUTE 18

R.C. Loehrke

WEATHER cloudy

COUNTY HENRY

TEMP. +48°

TOWNSHIP MARION

SECTION 4

T 3 N R 7 E

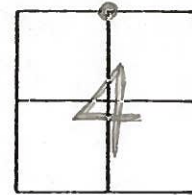
TYPE MONUMENT PK+WASHER

ON SURFACE - BELOW YES

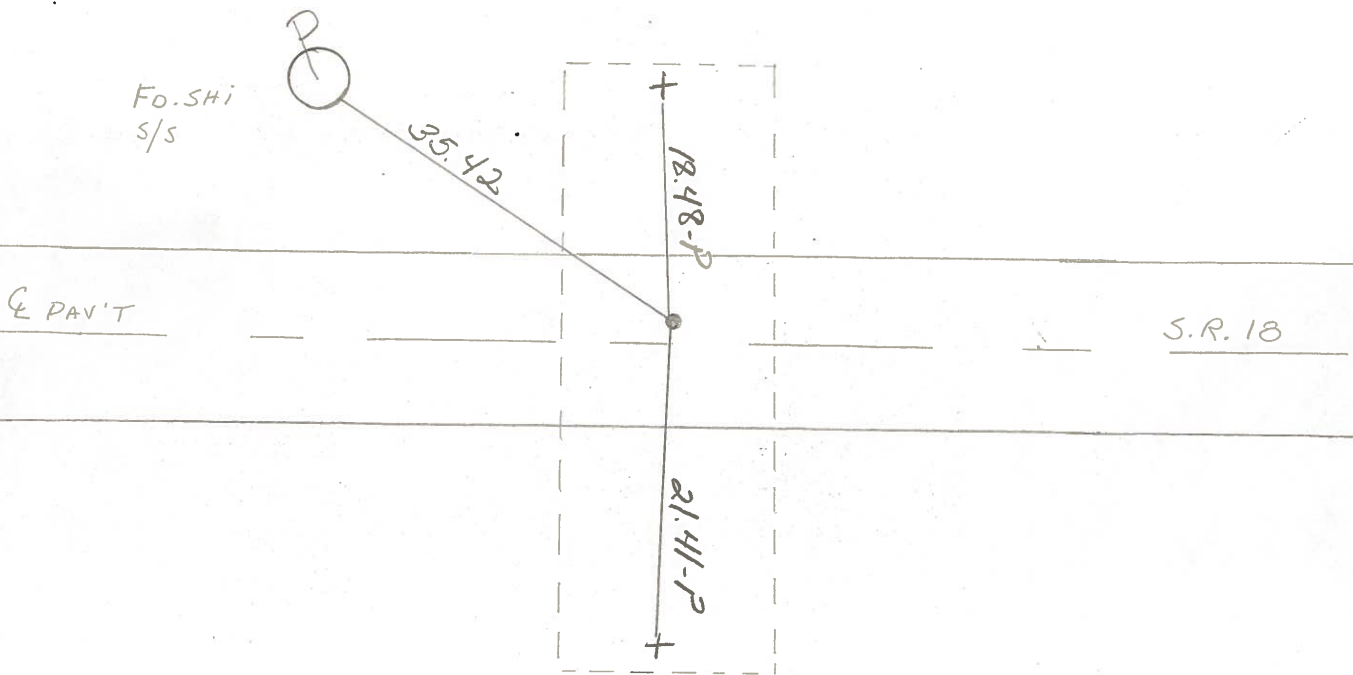
LEFT - 0 PAV'T. - RIGHT 1.7

8.5 TO LT. EDGE PAVEMENT

S.L.M. 446+00



Set Sm PE Spk
6-13-89
YMDB



FD. "+" ON N & S END
OF 64" CONC. PIPE.

County HENRY S.R. 18

Date 5-29-81

Township MARION

Weather cloudy

Section 4

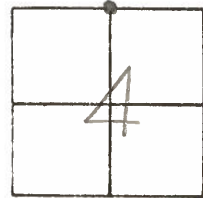
Temp. +60°

T3N, R7E

Personnel S. Hoffmann

C. Loehrke

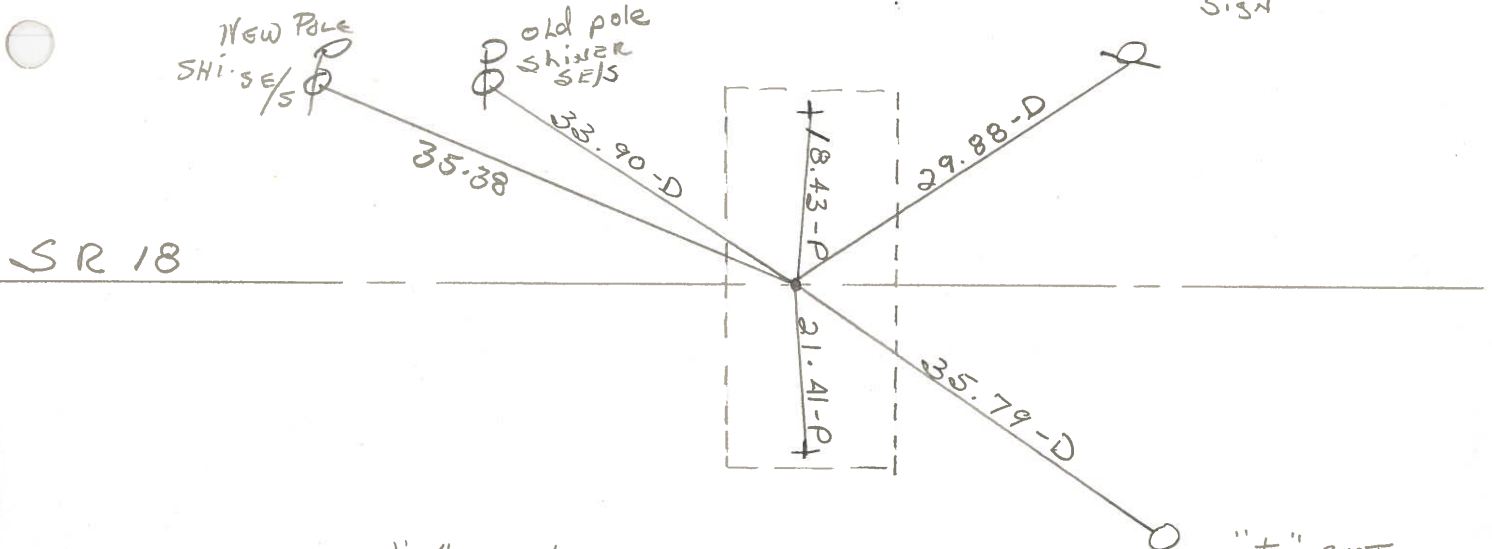
18 I Householder



Fd. R.R. SPR @ SURFACE
7.8' TO N. Edge PAUT.
10.8' TO S. Edge PAUT.
SET. SMALL R.R. SPR.

PROJECT STA ± 447+17

"+" CUT ON HEAD
of TOP BOLT of white
GAS LINE MARKER
SIGN



"+" N & S END,
ON TOP of CONC PIPE
64" VERT. elliptical

"+" CUT
NW FACE of
white POST,
2' DOWN FROM
TOP.
GAS LINE
MARKER

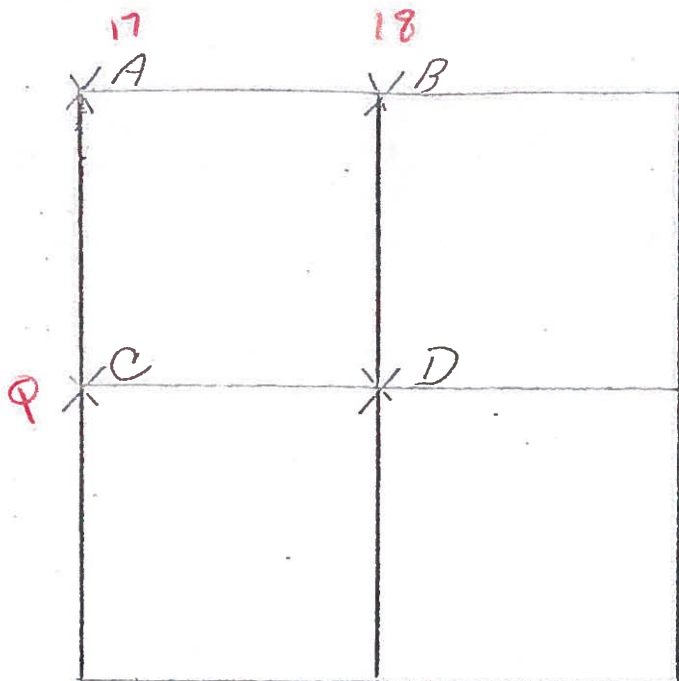
COUNTY HENRY J.R. 10

1-3-N , R-1-E

TOWNSHIP MARION

SECTION 4

6-18-79
RW, JJ, GM



A- FOUND ROAT SPIKE OVER
AXLE DRIVEN THROUGH CENTER
OF STONE (12"x12"x11") 14" BELOW
ROAD SURFACE. PLACED CENTER
PUNCHED R.R. SPIKE ON SURFACE
OVER AXLE. P.K.'S 6'S. & W.
STONE IS 6.4 SOUTH OF N.
EDGE OF PAUEMENT

66.63' N.N.W. TO SHINER ^{SE/S} POWER POLE

47.20' N.N.W. TO SHINER ^{S/S} TELEPHONE POLE

42.04' S.E. TO "+" IN TOP CONC. HEAD WALL

27.55' S.S.W. TO "+" IN TOP CONC. HEAD WALL

31.46' W. TO S.W. COR. SEC. 35 MONROE TWP.

6-19-79 R.W, J.J, G.M.

B- STONE COULD NOT BE LOCATED. RE-ESTABLISHED N¹/₄ POST, SECTION
4 ON SOUTH LINE OF SECTION 33; MONROE TWP. BY SINGLE
PROPORTIONATE MEASUREMENT BETWEEN THE N.W. CORNER AND N.E.
CORNER OF SECTION 4; MARION TWP. PLACED CENTER PUNCHED
RAILROAD SPIKE ON SURFACE. P.K.'S 6' N. & E.
25.50' N.W. TO "+" N.E. BRIDGE ABUTMENT (PLUMBED)
28.48' S.W. TO "+" S.E. BRIDGE ABUTMENT (PLUMBED)

PERSONNEL TITLE PERSONNEL TITLE

Stone

COUNTY Henry

DATE 29 Oct. 74

Deno

S. R. #18

WEATHER Cloudy

Michalak

SEC. Monroe - Marion Twp. TEMP. 60°

Curtis

DESCRIPTION

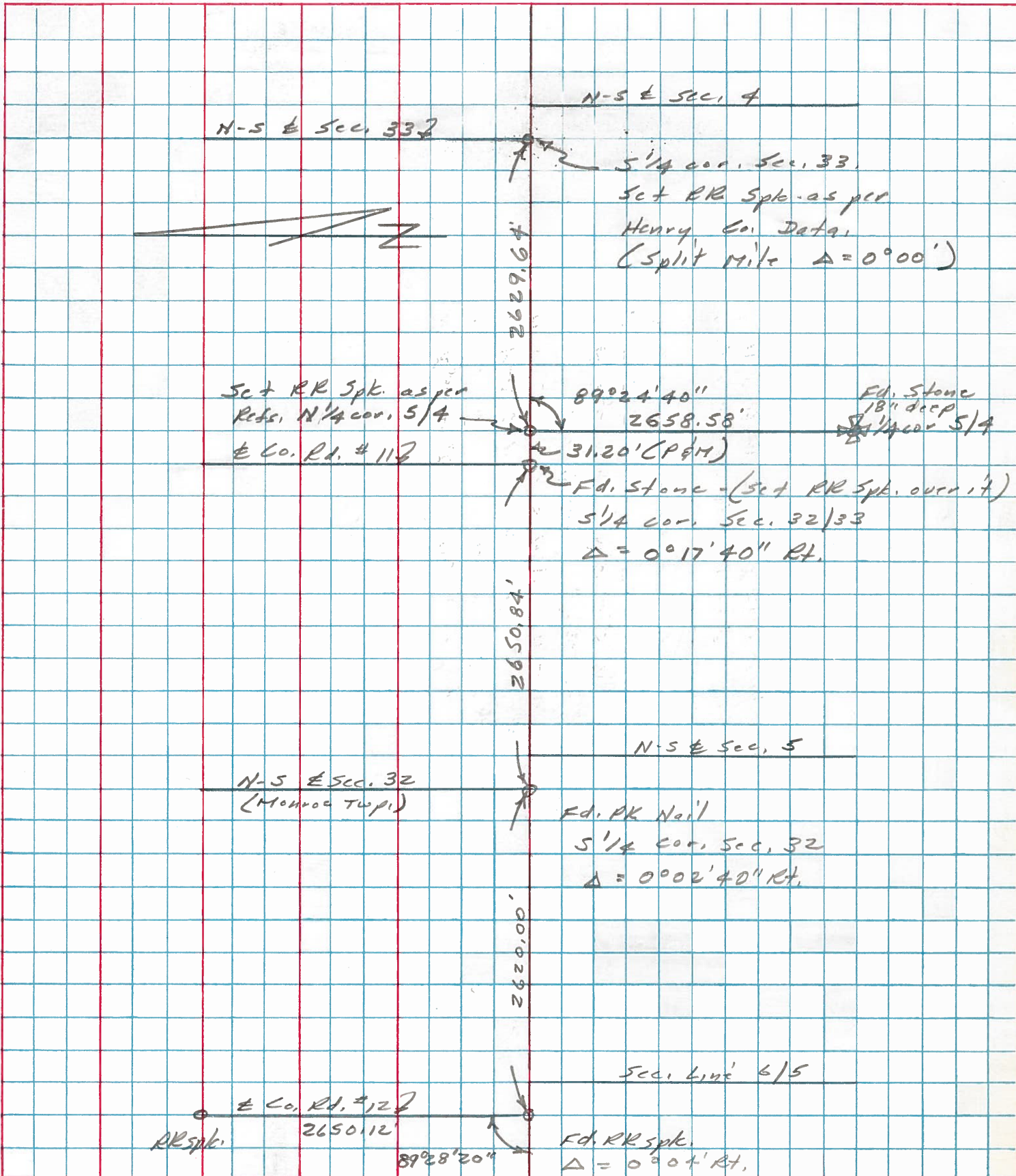
Alignment

JOB NO.

LEFT

CENTER LINE

RIGHT



PERSONNEL TITLE PERSONNEL TITLE
 W. Denno _____
 R. Micholok _____
 D. Curtis _____

COUNTY Henry DATE Oct. 3, '74

S. R. 18 WEATHER Mild

SEC. _____ TEMP. 55°

DESCRIPTION References To Control Points JOB NO. 02999101

