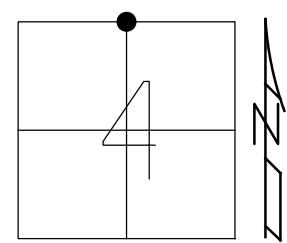


O.D.O.T. DISTRICT 2 SURVEY OFFICE (USE ONLY)

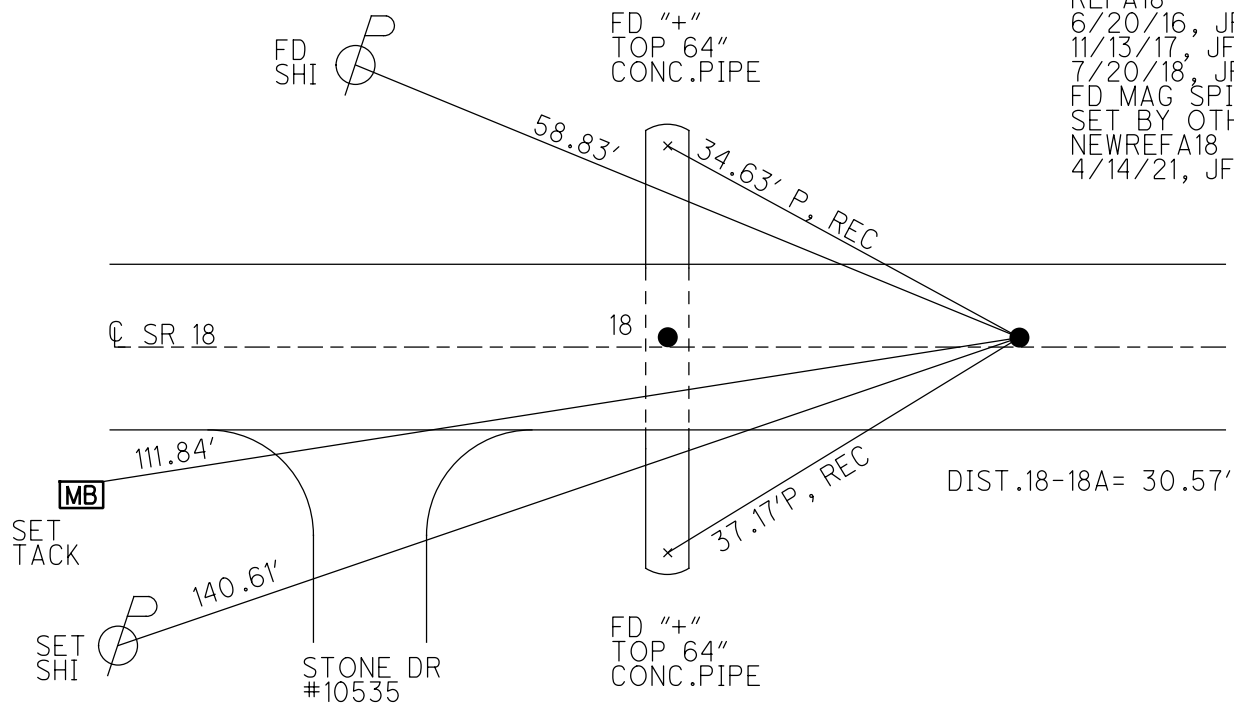
PERSONNEL \_\_\_\_\_ REFERENCE NO. 18 A SHEET 15 OF 31  
 NOTES RHOADES DATE 4/2/20 ROUTE SR 18  
 H.C. O'DONNELL WEATHER SUNNY COUNTY HENRY  
 R.C. BALBAUGH TEMP. 50° TOWNSHIP MARION  
 DWG BY NIESE PID 105662 SECTION 4  
 T 3 N R 7 E

TYPE MONUMENT MAG/WASHER  
 ON SURFACE - ~~BELOW~~ ON  
 OFFSET Q PAVEMENT 1.3' LT : ~~RT~~  
8.5' TO LT EDGE PAVEMENT  
 STATION: 446+31



HORZ.DATUM: NAD83 (2011) GEOID: NAVD88 2012A  
 GRID: NORTHING: 582109.640 EASTING: 1538135.962

RECORD:  
 FD P.K./WASHER  
 1/10/07, SAH  
 6/27/08, KPM  
 SET MAG/WASHER  
 5/26/09, SAH  
 FD MAG/WASHER  
 REFA18  
 6/20/16, JFO  
 11/13/17, JFO  
 7/20/18, JFO  
 FD MAG SPIKE  
 SET BY OTHERS  
 NEWREFA18  
 4/14/21, JFO



**MB**

SET TACK

SET SHI

STONE DR #10535

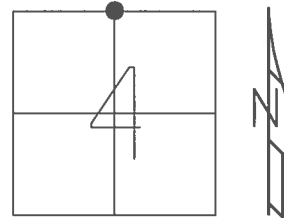
FD \"+\"  
TOP 64\"  
CONC.PIPE

DIST.18-18A= 30.57'

O.D.O.T. DISTRICT 2 SURVEY OFFICE (USE ONLY)

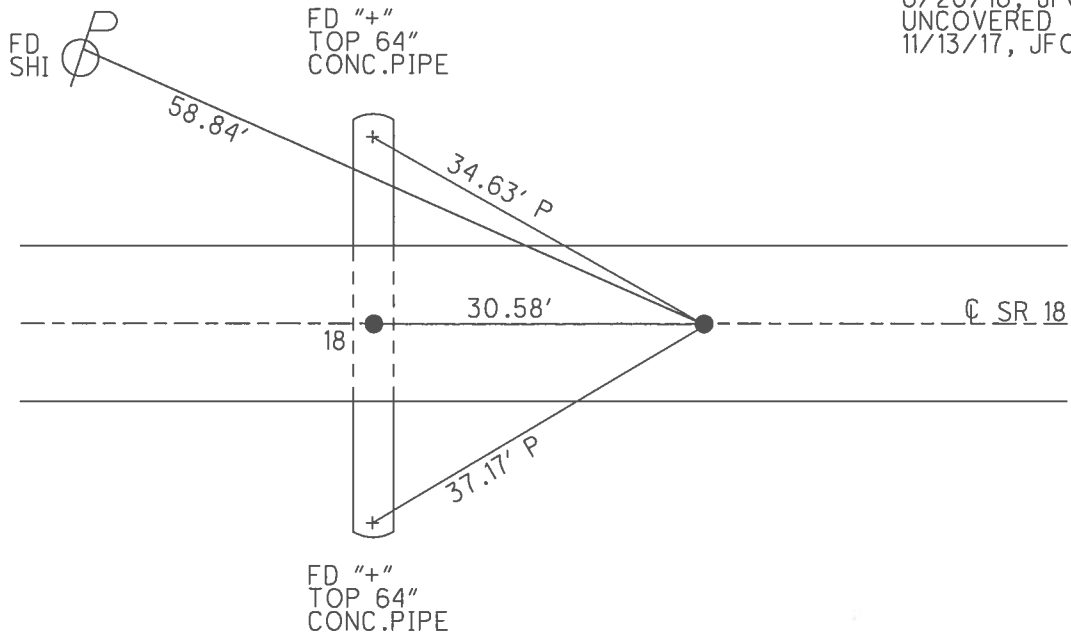
PERSONNEL \_\_\_\_\_ REFERENCE NO. 18 A SHEET 15 OF 31  
 NOTES NUHFER DATE 6/26/08 ROUTE SR 18  
 H.C. MOSE WEATHER SUNNY COUNTY HENRY  
 R.C. NUHFER TEMP. 85° TOWNSHIP MARION  
 \_\_\_\_\_ SECTION 4  
 \_\_\_\_\_ T 3 N R 7 E

TYPE MONUMENT P.K./WASHER  
 ON SURFACE - ~~BELOW~~ ON \_\_\_\_\_  
 LEFT - ☉ PAV'T - ~~RIGHT~~ 1.3'  
8.5' TO LT EDGE PAVEMENT  
 S.L.M. 446+31



GRID: NORTHING: 582109.597 EASTING: 1538135.974

RECORD:  
 FD P.K./WASHER  
 1/10/07, SAH  
 REFA18  
 6/27/08, KPM  
 SET MAG/WASHER  
 5/26/09, SAH  
 FD MAG/WASHER  
 REFA18  
 6/20/16, JFO  
 UNCOVERED  
 11/13/17, JFO



O.D.O.T. DISTRICT 2 SURVEY OFFICE (USE ONLY)

PERSONNEL

REFERENCE NO. 18 A

SHEET 15 OF 31

NOTES NUHFER

DATE 6/26/08

ROUTE SR 18

H.C. MOSER

WEATHER SUNNY

COUNTY HENRY

R.C. NUHFER

TEMP. 85°

TOWNSHIP MARION

SECTION 4

T 3 N R 7 E

TYPE MONUMENT P.K./WASHER

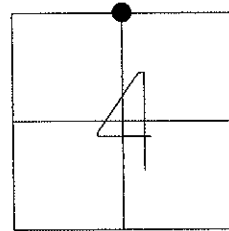
ON SURFACE - ~~BELOW~~ ON

LEFT - Q PAV'T - ~~RIGHT~~ 1.3'

8.5' TO LT EDGE PAVEMENT

S.L.M. 446+31

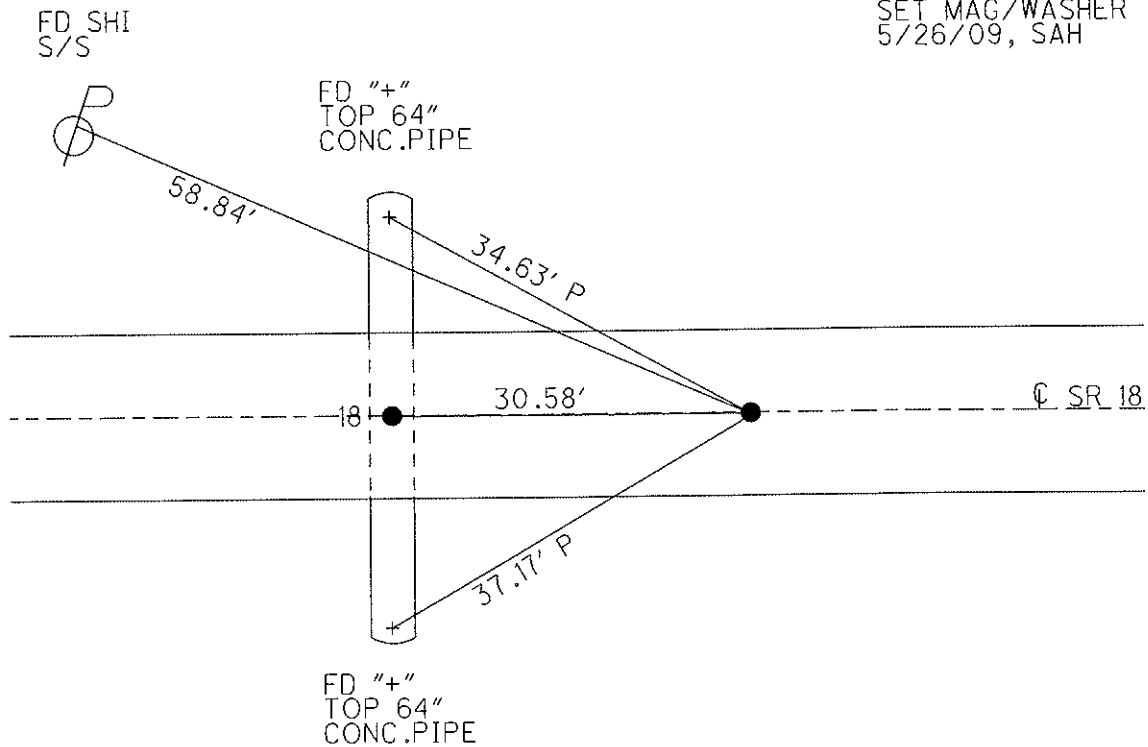
Grid: Northing: 582109.686 Easting: 1538135.944



FD P.K./WASHER  
SAH, 1/10/07

GPS, REF A18  
KPM, 6/27/08

SET MAG/WASHER  
5/26/09, SAH



PERSONNEL TITLE PERSONNEL TITLE

Stone

COUNTY Henry

DATE 29 Oct. 74

Deno

S. R. #18

WEATHER Cloudy

Michalak

SEC. Monroe - Marion Twp. TEMP. 60°

Curtis

DESCRIPTION

Alignment

JOB NO.

LEFT

CENTER LINE

RIGHT

