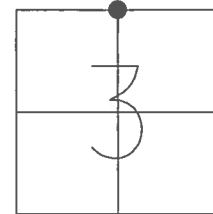


O.D.O.T. DISTRICT 2 SURVEY OFFICE (USE ONLY)

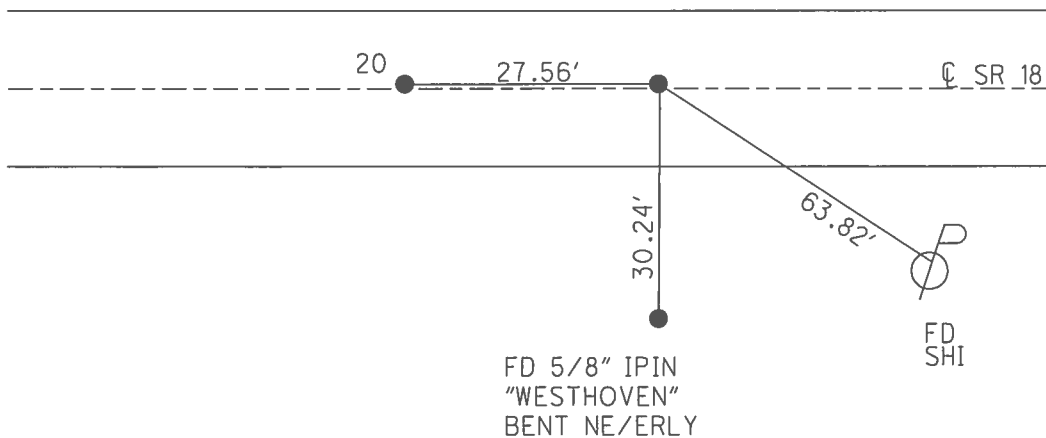
PERSONNEL _____ REFERENCE NO. 20 A SHEET 19 OF 31
 NOTES NUHFER DATE 6/26/08 ROUTE SR 18
 H.C. MOSER WEATHER SUNNY COUNTY HENRY
 R.C. NUHFER TEMP. 85° TOWNSHIP MARION
 _____ SECTION 3
 _____ T 3 N R 7 E

TYPE MONUMENT P.K./WASHER
 ON SURFACE - ~~BELOW~~ ON _____
 LEFT - ☉ PAV'T - ~~RIGHT~~ 3.3'
5.9' TO LT EDGE PAVEMENT
 S.L.M. 499+34



GRID: NORTHING: 582044.997 EASTING: 1543433.804

RECORD:
 SET SM.R.R.SPIKE
 6/13/89, MDB
 FD SM.R.R.SPIKE
 1/10/07, SAH
 REF20
 6/30/08, KPM
 SET MAG/WASHER
 5/26/09, SAH
 FD MAG/WASHER
 REF20
 6/20/16, JFO



O.D.O.T. DISTRICT 2 SURVEY OFFICE (USE ONLY)

PERSONNEL

REFERENCE NO. 20 A

SHEET 19 OF 31

NOTES NUHFER

DATE 6/26/08

ROUTE SR 18

H.C. MOSER

WEATHER SUNNY

COUNTY HENRY

R.C. NUHFER

TEMP. 85°

TOWNSHIP MARION

SECTION 3

T 3 N R 7 E

TYPE MONUMENT P.K./WASHER

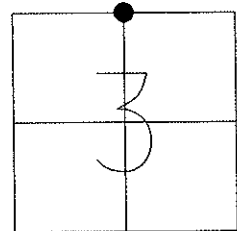
ON SURFACE - ~~BELOW~~ ON

LEFT - Q PAV'T - ~~RIGHT~~ 3.3'

5.9' TO LT EDGE PAVEMENT

S.L.M. 499+34

Grid: Northing: 582044.925 Easting: 1543433.675

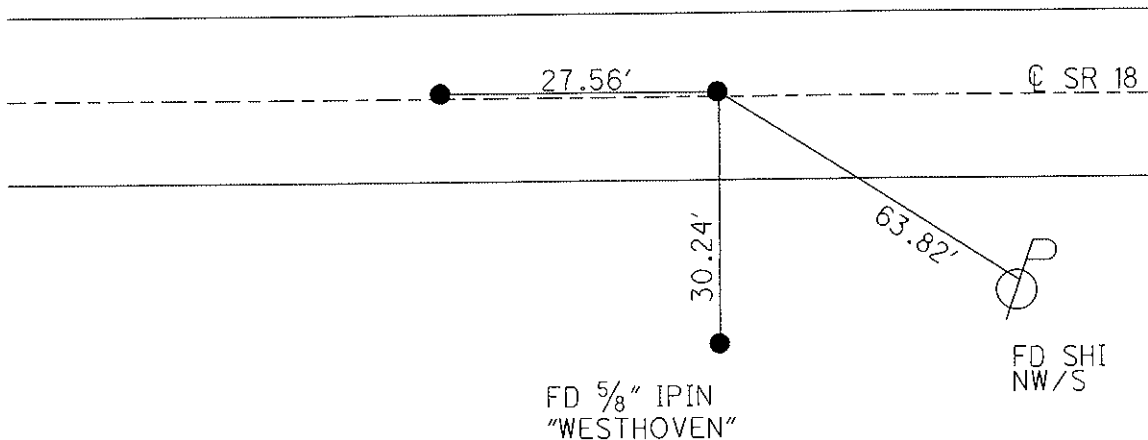


SET SM.R.R.SPIKE
6/13/89, MDB

FD SM.R.R.SPIKE
SAH, 1/10/07

GPS, REF A20
KPM, 6/30/08

SET MAG/WASHER
5/26/09, SAH



O.D.O.T. DISTRICT 2 SURVEY OFFICE

PERSONNEL _____

REFERENCE NO. 20

SHEET 7 OF _____

NOTES BARNHISEL

H.C. _____

DATE 4-3-89

ROUTE 18

R.C. Loehrke

WEATHER cloudy

COUNTY HENRY

TEMP. +48°

TOWNSHIP MARION

SECTION 3

T 3 N R 7 E

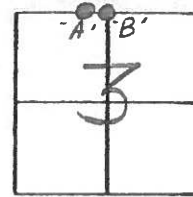
TYPE MONUMENT PREWASHER, P.K. & WASHER

ON SURFACE - BELOW YES, YES

LEFT- & PAV'T. - RIGHT 3.3, 3.3

5.9 TO LT. EDGE PAVEMENT

S.L.M. 499+06, 499+64



Set Sm RR Spk
6-13-89
m.D.B.

Q PAV'T

"A"

27.56

"B"

S.R. 18

20

20A

42.98 - "R"

63.76

31.63 - "R"

NEW POLE
FD. SHI NW/S

NOTE: 4-3-89
STONE WASN'T
USABLE

FD. "t"

ON TOP OF STONE

County HENRY S.R. 18

Date 5-29-81

Township MARION

Weather cloudy

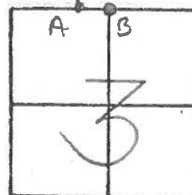
Section 3

Temp. +60°

T3N, R7E

Personnel S. Hoffmann

MONROE SEC 3A



2.0
C. Doehrke
L. Householder

P.T. "A" Fd. R.R. SPK @ SURFACE

PROJECT STA. ± 500+20

6' TO N. EDGE PAVT
 12.3' TO S. EDGE PAVT

P.T. "B" Fd. R.R. SPK @ SURFACE

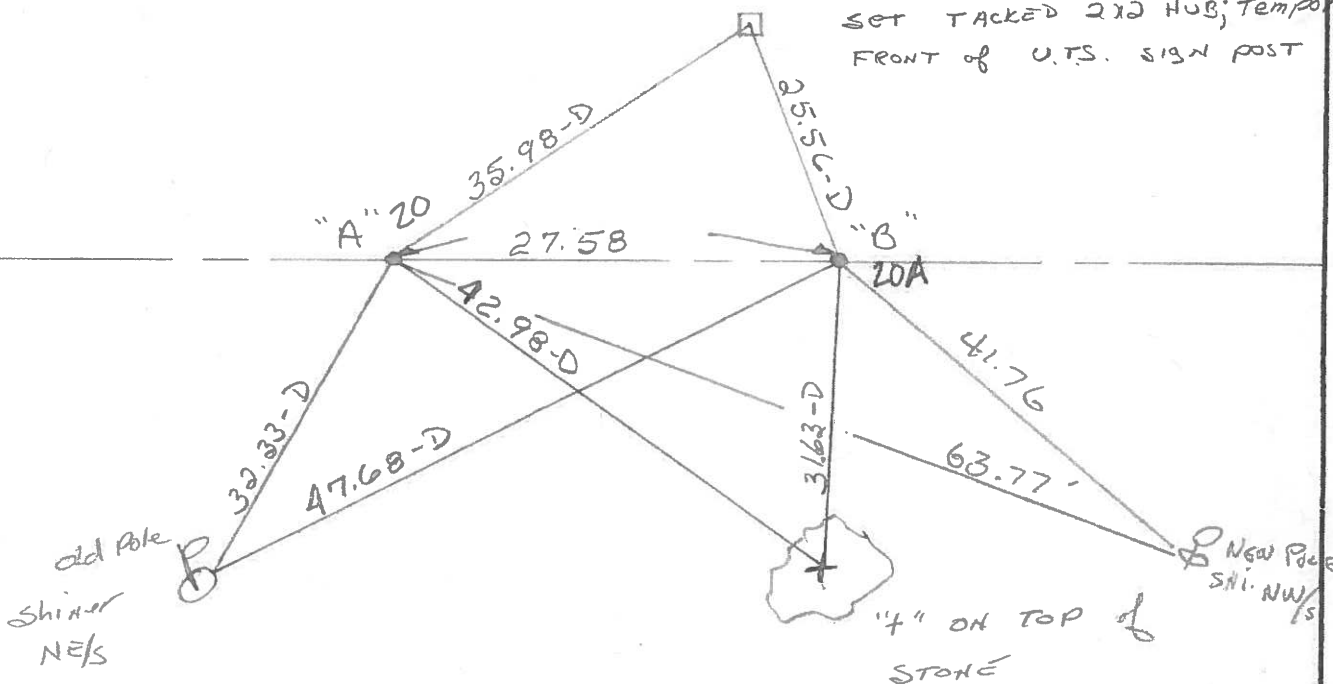
PROJECT STA. ± 500+48

6.4' TO N. EDGE PAVT
 11.9' TO S. EDGE PAVT.

SET PK & WASHER
 AT "A"-"B"

SET TACKED 2" HUB; Tempo
 FRONT of U.T.S. SIGN POST

S.R. 18



PERSONNEL	TITLE	PERSONNEL	TITLE	COUNTY	DATE	WEATHER	TEMP.
Stone				Henry	9 Jan. 75	Cloudy	41°
Michalak				#18			
Dunn							
Curtis				SEC. Monroec-Madison Twp.			

DESCRIPTION _____ Alignment _____ JOB NO. _____

LEFT CENTER LINE RIGHT

