

O.D.O.T. DISTRICT 2 SURVEY OFFICE (USE ONLY)

PERSONNEL _____ REFERENCE NO. 52 SHEET 40 OF 40
 NOTES LOEHRKE DATE 6/1/93 ROUTE US 24
 H.C. ROMETO WEATHER CLEAR COUNTY HENRY
 R.C. CANTERBURY TEMP. 60° TOWNSHIP WASHINGTON
BARNHISEL SECTION 1
 T 5 N R 8 E

TYPE MONUMENT HUB-REMAINS

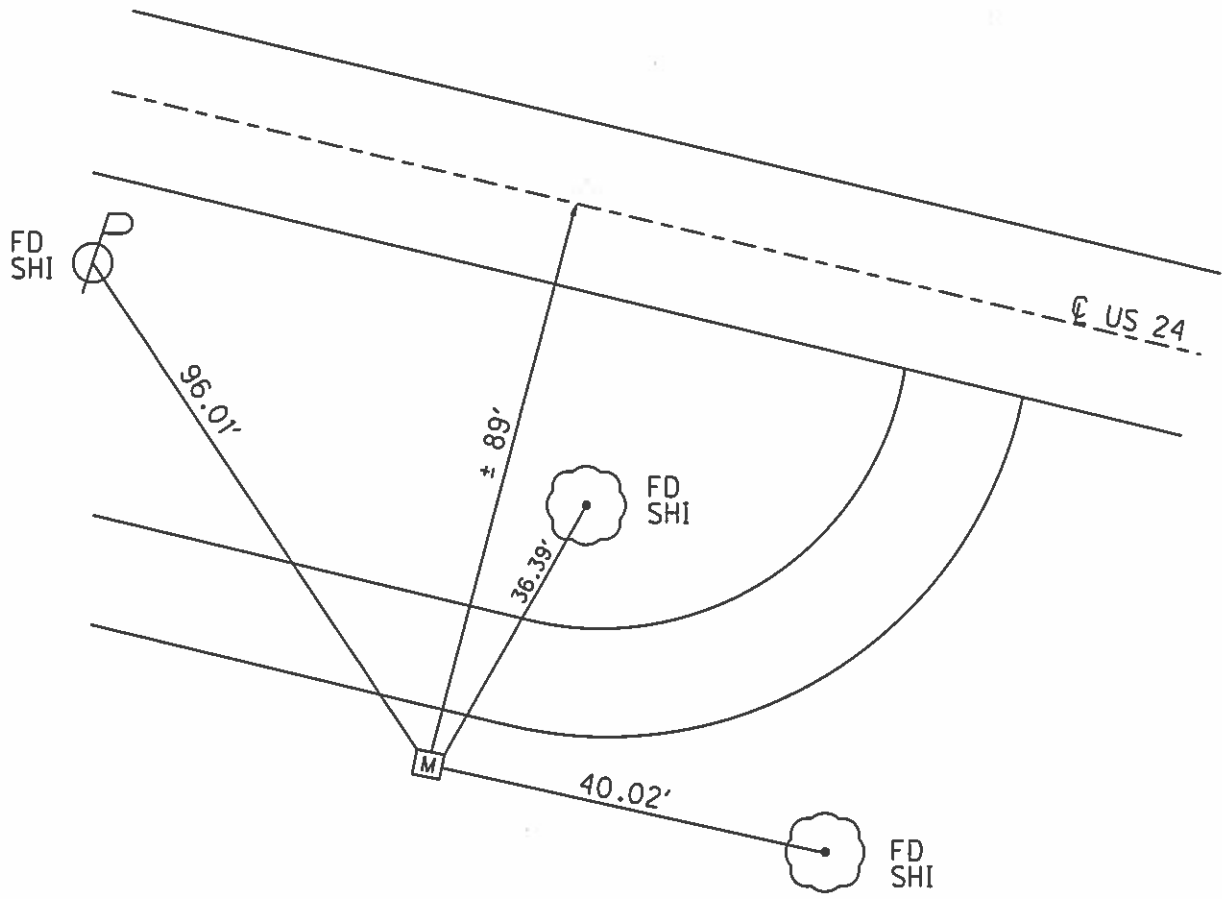
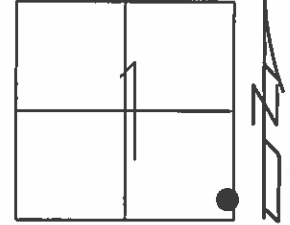
~~ON SURFACE~~ - BELOW 4"

~~LEFT~~ - Q PAV'T - RIGHT 89.'

76.5' TO RT EDGE PAVEMENT

S.L.M. 1025+22

Grid: Northing: - Easting: -



O.D.O.T. DISTRICT 2 SURVEY OFFICE

PERSONNEL _____

REFERENCE NO. 52

SHEET 37 OF 40

NOTES LOGBOOK

H.C. ROMSTO

DATE 6-1-93

ROUTE U.S. 24

R.C. CANTERBURY

WEATHER Clear

COUNTY Henry

BARNHISEL

TEMP. 60

TOWNSHIP Washington

SECTION 1

T 5 N R 8 E

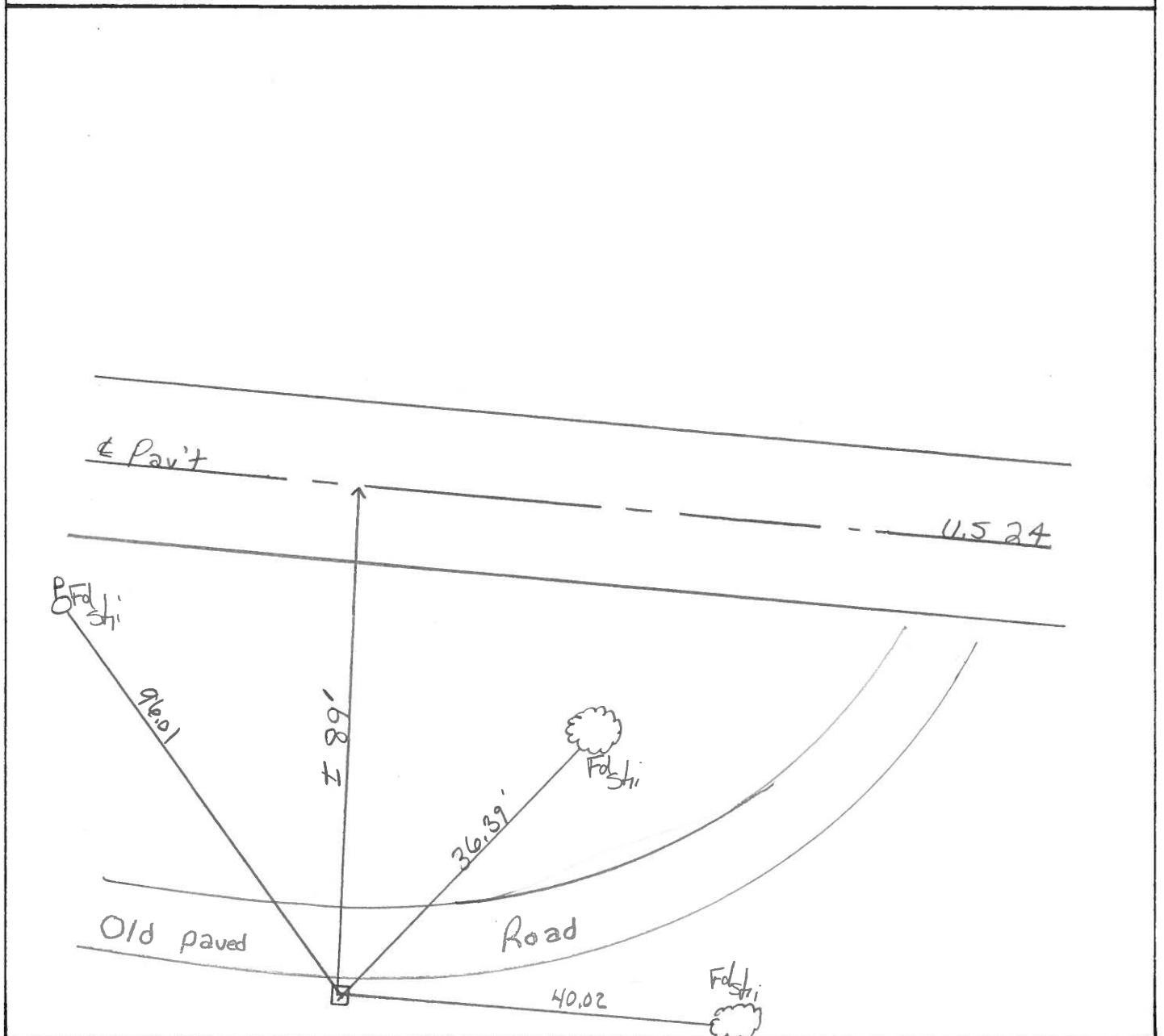
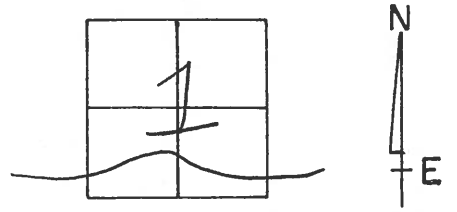
TYPE MONUMENT Hub - Remains

~~ON~~ SURFACE - BELOW 4"

LEFT - ☉ PAV'T. - RIGHT 89

76.50 Rt. EDGE PAVEMENT

S.L.M. 1025+22 19.42



PERSONNEL	TITLE	PERSONNEL	TITLE	COUNTY	DATE
Silvester					
				S. R. U.S. 24 Henry & Lucas Co. Line	WEATHER
				SEC.	TEMP.

DESCRIPTION Curve Data & witness ties LEFT CENTER LINE RIGHT JOB NO. _____

DESCRIPTION	LEFT	CENTER LINE	RIGHT	JOB NO.
		CURVE #	(27)	
P.I. Sta.	1231+77.78		@ Lucas Henry Co Line	
P.C. Sta.	1224+71.45			
P.T. Sta.			Shiner in 8" Elm W. 78.79	
A =	27°42' Lt.	P.I. wit	" " 12" Pine N.E. 36.57	
D =	2°00		" " 15" Ash E.S.E. 78.47	
T =	706.33			
L =	1385			
R =	2864.79			
E =	85.78			
		P.C. wit	Shiner in T. Pole N.E. 47.43	
			" " P. Pole S.E. 32.93	
			iron fence Post N.W. 69.85	
		P.T. wit	x on top E End Drive Pipe N.W. 41.78	
			Shiner in P. Pole N.W. 64.17	
			" " T. Pole S.W. 56.46	