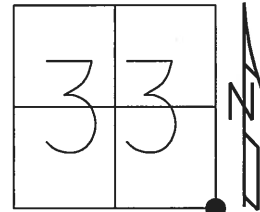


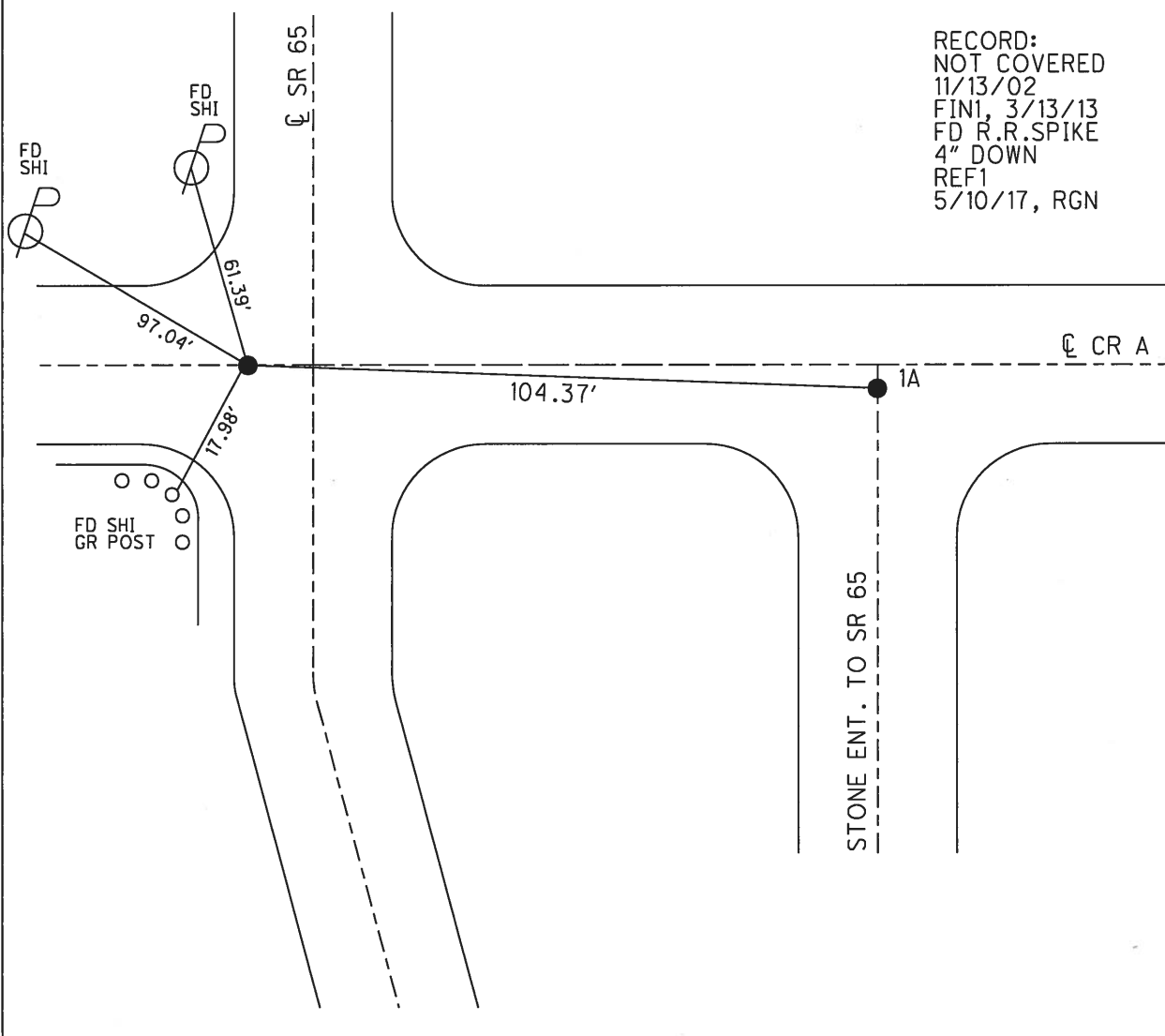
O.D.O.T. DISTRICT 2 SURVEY OFFICE (USE ONLY)

PERSONNEL _____ REFERENCE NO. 1 SHEET 1 OF 42
 NOTES RHOADES DATE 5/3/17 ROUTE SR 65
 H.C. O'DONNELL WEATHER SUNNY COUNTY HENRY
 R.C. HELDMAN TEMP. 46° TOWNSHIP BARTLOW
 SECTION 33
 T 3 N R 8 E

TYPE MONUMENT R.R.SPIKE
~~ON SURFACE~~ - BELOW 0.2'
 LEFT - ℄ PAV'T - ~~RIGHT~~ 6.9'
2.6' TO LT. EDGE PAVEMENT
 S.L.M. 0+00



GRID: NORTHING: 550022.006 EASTING: 1572379.303



RECORD:
 NOT COVERED
 11/13/02
 FINI, 3/13/13
 FD R.R.SPIKE
 4" DOWN
 REF1
 5/10/17, RGN

O.D.O.T. DISTRICT 2 SURVEY OFFICE (USE ONLY)

PERSONNEL	REFERENCE NO.	<u>1 A</u>	SHEET	<u>2</u>	OF	<u>42</u>
NOTES	<u>RHOADES</u>	DATE	<u>5/3/17</u>	ROUTE	<u>SR 65</u>	
H.C.	<u>O'DONNELL</u>	WEATHER	<u>SUNNY</u>	COUNTY	<u>HENRY</u>	
R.C.	<u>HELDMAN</u>	TEMP.	<u>46°</u>	TOWNSHIP	<u>BARTLOW</u>	
				SECTION	<u>34</u>	
				T	<u>3</u>	R
					<u>N</u>	<u>8</u>
					<u>E</u>	

TYPE MONUMENT SM.R.R.SPIKE

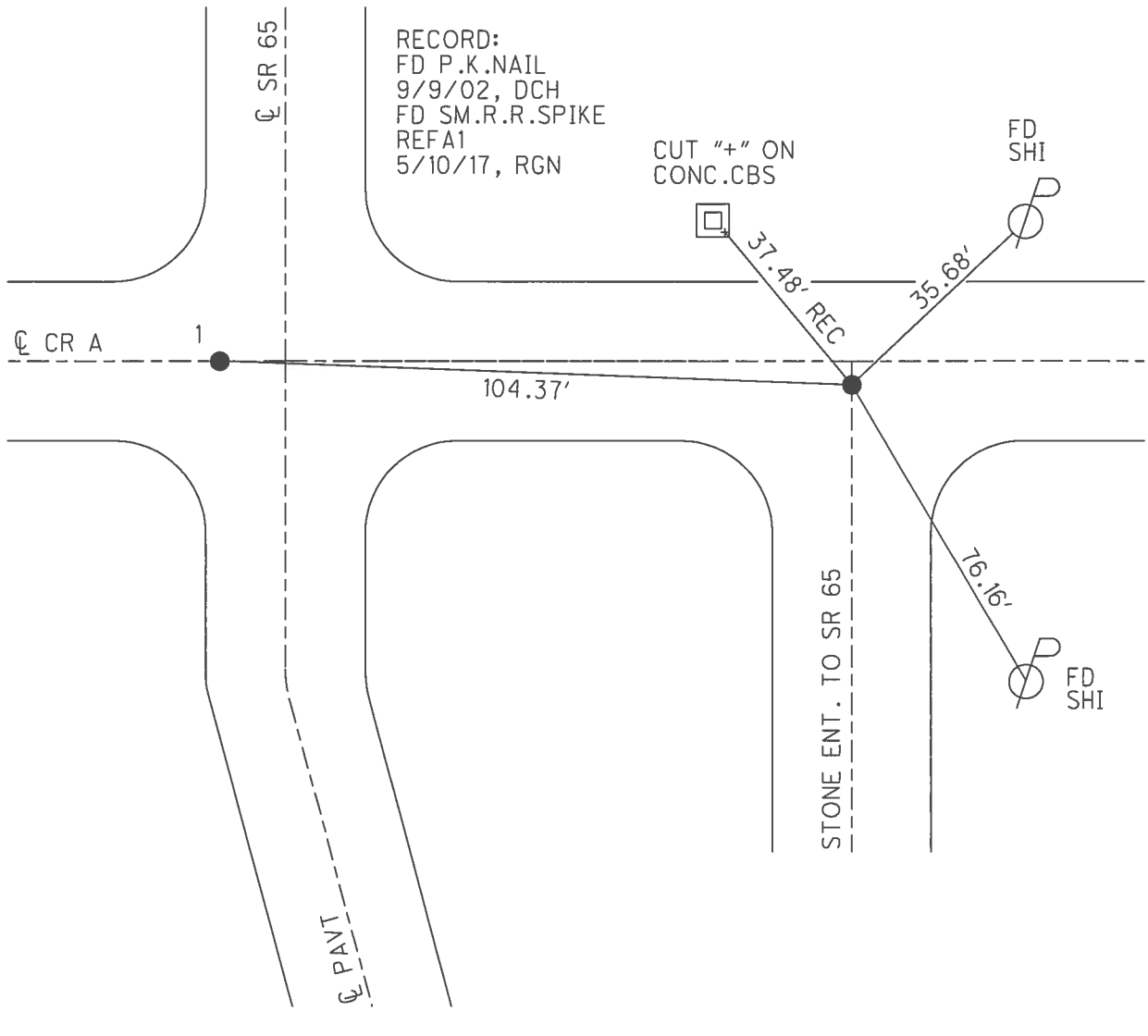
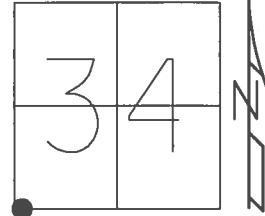
ON SURFACE - ~~BELOW~~ ON

~~LEFT~~ - ☉ PAV'T - RIGHT 5', ☉ CR A

- TO - EDGE PAVEMENT

S.L.M. 0+00

GRID: NORTHING: 550022.356 EASTING: 1572483.637



O.D.O.T. DISTRICT 2 SURVEY OFFICE (USE ONLY)

PERSONNEL _____ REFERENCE NO. 2 SHEET 3 OF 42

NOTES	<u>O'DONNELL</u>	DATE	<u>5/10/17</u>	ROUTE	<u>SR 65</u>
H.C.	<u>O'DONNELL</u>	WEATHER	<u>SUNNY</u>	COUNTY	<u>HENRY</u>
R.C.	<u>NUHFER</u>	TEMP.	<u>70°</u>	TOWNSHIP	<u>BARTLOW</u>
				SECTION	<u>33</u>
					<u>T 3 N R 8 E</u>

TYPE MONUMENT R.R.SPIKE

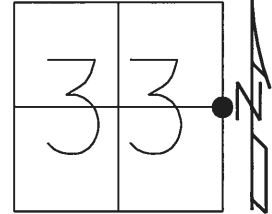
ON SURFACE - ~~BELOW~~ 6"

LEFT - ☉ PAV'T - ~~RIGHT~~ 2.1'

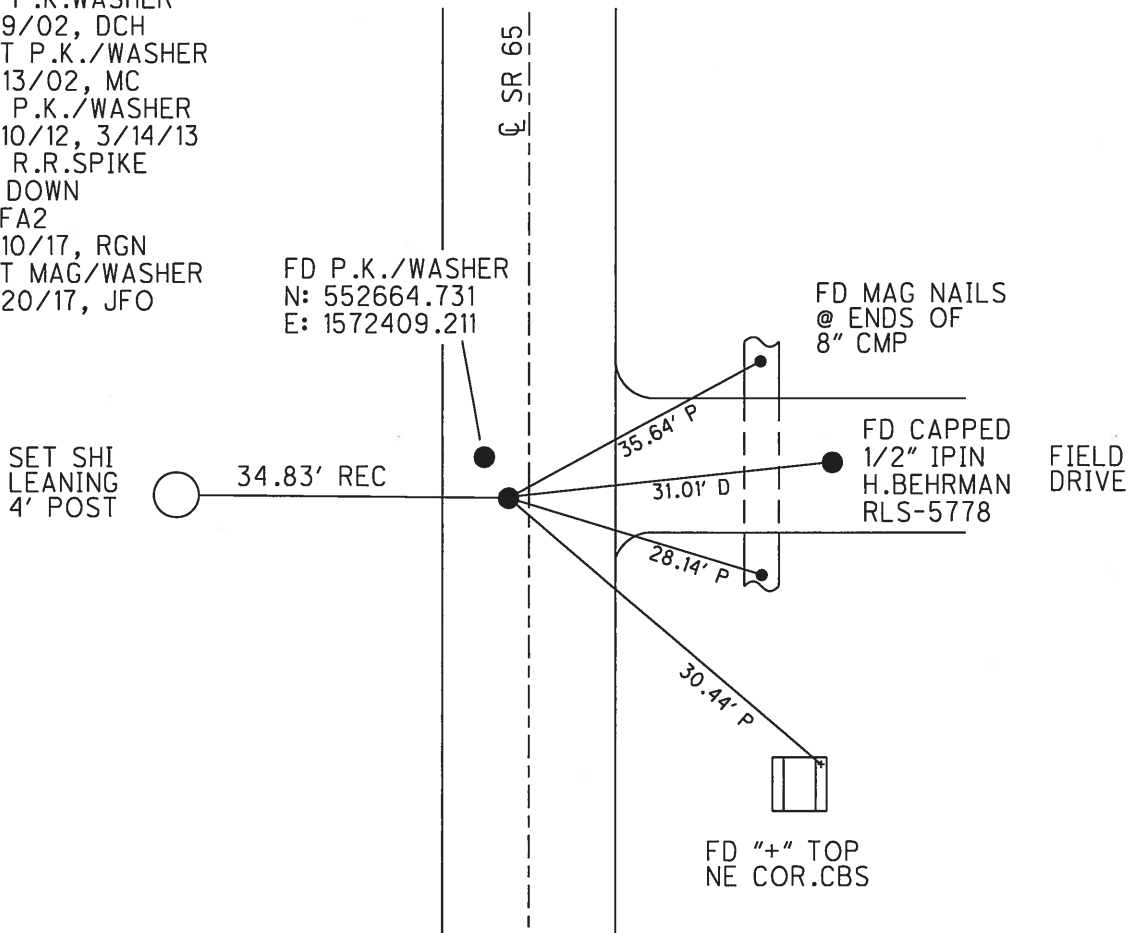
8.1' TO LT EDGE PAVEMENT

S.L.M. 26+49

GRID: NORTHING: 552664.045 EASTING: 1572409.211



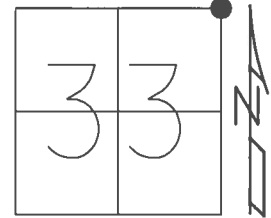
RECORD:
 FD P.K.WASHER
 9/9/02, DCH
 SET P.K./WASHER
 11/13/02, MC
 FD P.K./WASHER
 7/10/12, 3/14/13
 FD R.R.SPIKE
 6" DOWN
 REFA2
 5/10/17, RGN
 SET MAG/WASHER
 9/20/17, JFO



O.D.O.T. DISTRICT 2 SURVEY OFFICE (USE ONLY)

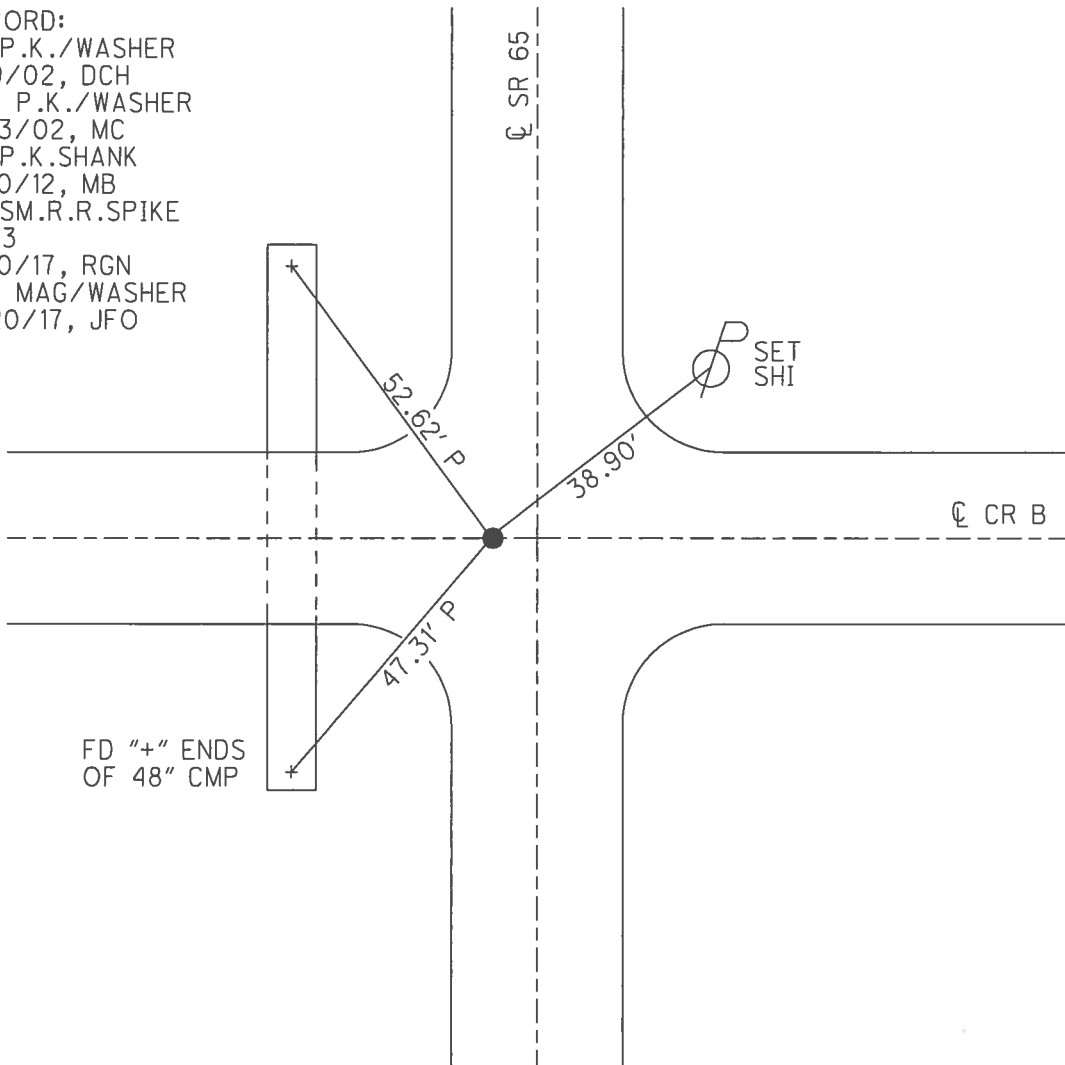
PERSONNEL _____ REFERENCE NO. 3 SHEET 4 OF 42
 NOTES RHOADES DATE 5/3/17 ROUTE SR 65
 H.C. O'DONNELL WEATHER SUNNY COUNTY HENRY
 R.C. HELDMAN TEMP. 46° TOWNSHIP BARTLOW
 _____ SECTION 33
 _____ T 3 N R 8 E

TYPE MONUMENT SM.R.R.SPIKE
 ON SURFACE - ~~BELOW~~ ON
 LEFT - ☉ PAV'T - ~~RIGHT~~ 7', 1.7' S. OF ☉ W.
4.2' TO LT EDGE PAVEMENT
 S.L.M. 52+98



GRID: NORTHING: 555306.258 EASTING: 1572441.385

RECORD:
 FD P.K./WASHER
 9/9/02, DCH
 SET P.K./WASHER
 11/13/02, MC
 FD P.K.SHANK
 7/10/12, MB
 FD SM.R.R.SPIKE
 REF3
 5/10/17, RGN
 SET MAG/WASHER
 9/20/17, JFO



FD "+" ENDS
 OF 48" CMP

O.D.O.T. DISTRICT 2 SURVEY OFFICE (USE ONLY)

PERSONNEL _____ REFERENCE NO. 4 SHEET 5 OF 42

NOTES RHOADES DATE 5/3/17 ROUTE SR 65
 H.C. O'DONNELL WEATHER SUNNY COUNTY HENRY
 R.C. HELDMAN TEMP. 46° TOWNSHIP BARTLOW
 _____ SECTION 28
 _____ T 3 N R 8 E

TYPE MONUMENT PK/WASHER

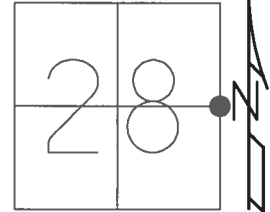
ON SURFACE - ~~BELOW~~ ON _____

LEFT - ☐ PAV'T - ~~RIGHT~~ 1.0'

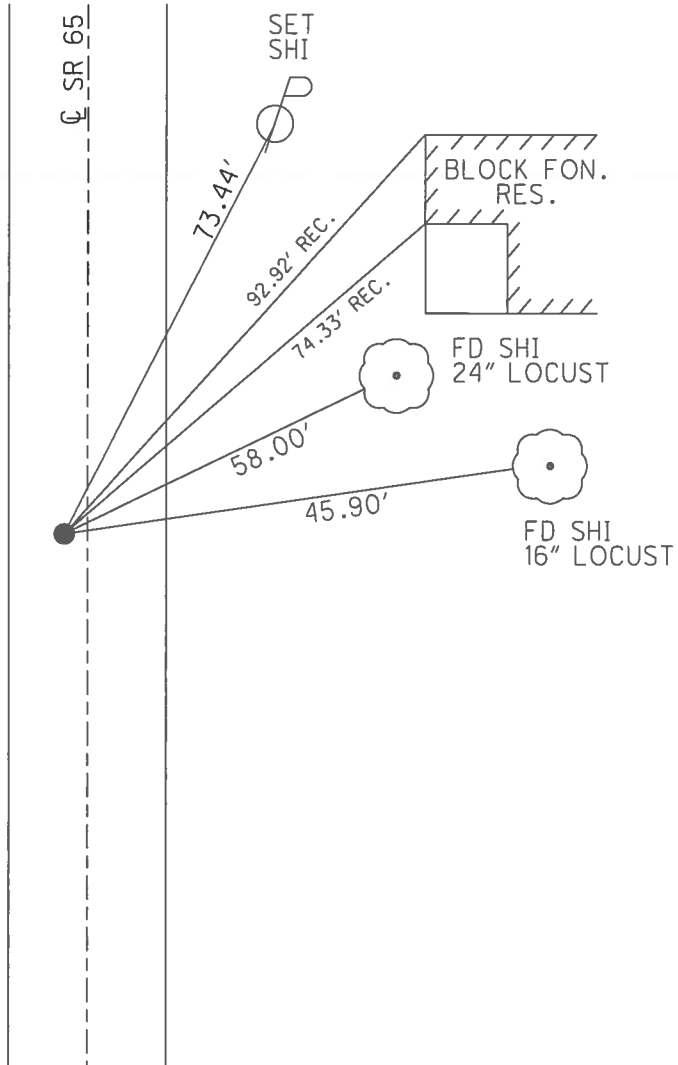
9.2' TO LT EDGE PAVEMENT

S.L.M. 79+63

GRID: NORTHING: 557962.812 EASTING: 1572464.422



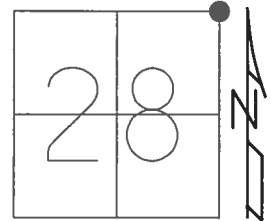
- RECORD:
 FD P.K./WASHER
 9/9/02, DCH
 SET P.K./WASHER
 11/14/02, MB
 FD P.K./WASHER
 7/10/12, SAH
 FD P.K./WASHER
 REF4
 5/10/17, JFO
 SET MAG/WASHER
 9/20/17, JFO



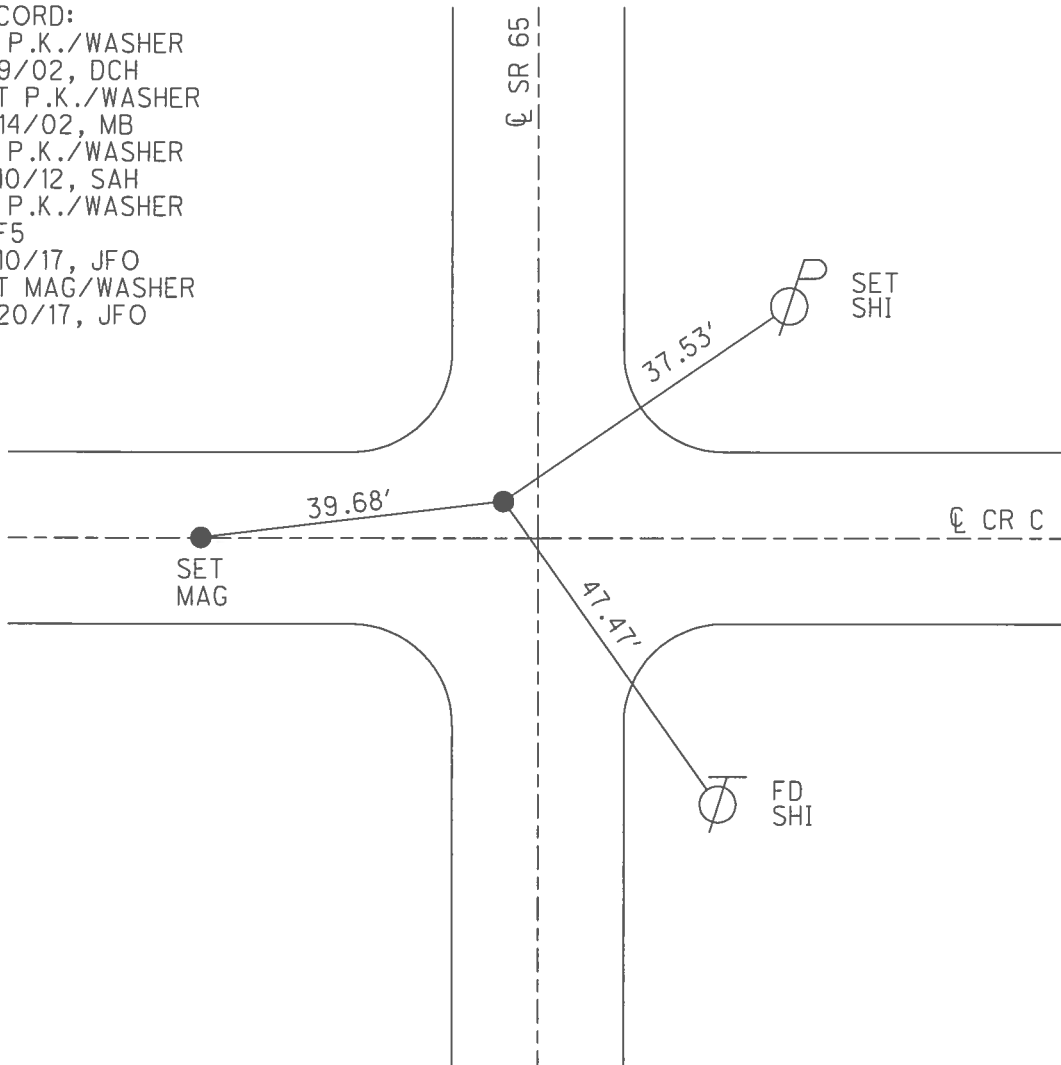
O.D.O.T. DISTRICT 2 SURVEY OFFICE (USE ONLY)

PERSONNEL _____ REFERENCE NO. 5 SHEET 6 OF 42
 NOTES RHOADES DATE 5/3/17 ROUTE SR 65
 H.C. O'DONNELL WEATHER SUNNY COUNTY HENRY
 R.C. HELDMAN TEMP. 46° TOWNSHIP BARTLOW
 SECTION 28
 T 3 N R 8 E

TYPE MONUMENT PK/WASHER
 ON SURFACE - ~~BELOW~~ ON _____
 LEFT - ☉ PAV'T - ~~RIGHT~~ 3.0'
7.3' TO LT. EDGE PAVEMENT
 S.L.M. 106+28
 GRID: NORTHING: 560619.930 EASTING: 1572457.468



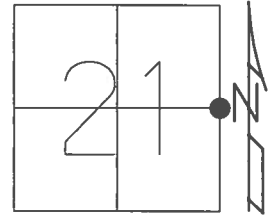
RECORD:
 FD P.K./WASHER
 9/9/02, DCH
 SET P.K./WASHER
 11/14/02, MB
 FD P.K./WASHER
 7/10/12, SAH
 FD P.K./WASHER
 REF5
 5/10/17, JFO
 SET MAG/WASHER
 9/20/17, JFO



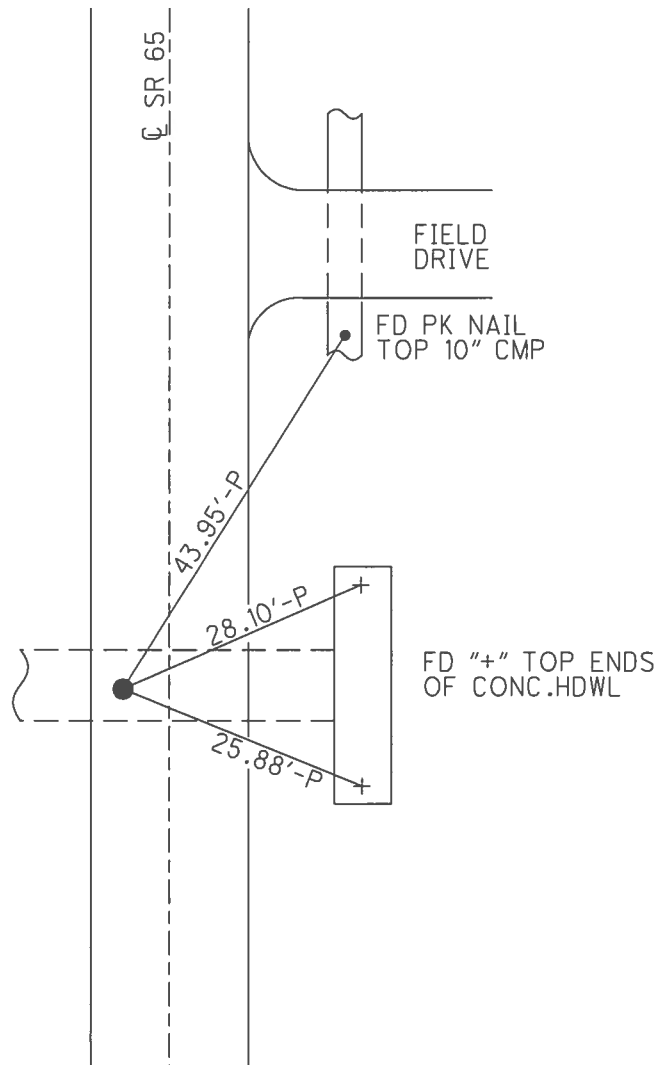
O.D.O.T. DISTRICT 2 SURVEY OFFICE (USE ONLY)

PERSONNEL	REFERENCE NO.	<u>6</u>	SHEET	<u>7</u>	OF	<u>42</u>
NOTES	<u>BROWN</u>	DATE	<u>09-09-02</u>	ROUTE	<u>SR 65</u>	
H.C.	<u>HOMAN</u>	WEATHER	<u>SUNNY</u>	COUNTY	<u>HENRY</u>	
R.C.	<u>BROWN</u>	TEMP.	<u>75°</u>	TOWNSHIP	<u>BARTLOW</u>	
				SECTION	<u>21</u>	
				T	<u>3</u>	N
				R	<u>8</u>	E

TYPE MONUMENT PK/WASHER
 ON SURFACE - ~~BELOW~~ ON
 LEFT - ☉ PAV'T - ~~RIGHT~~ 6.8'
3.6' TO LT EDGE PAVEMENT
 S.L.M. 132+92
 GRID: NORTHING: 563276.037 EASTING: 1572480.316



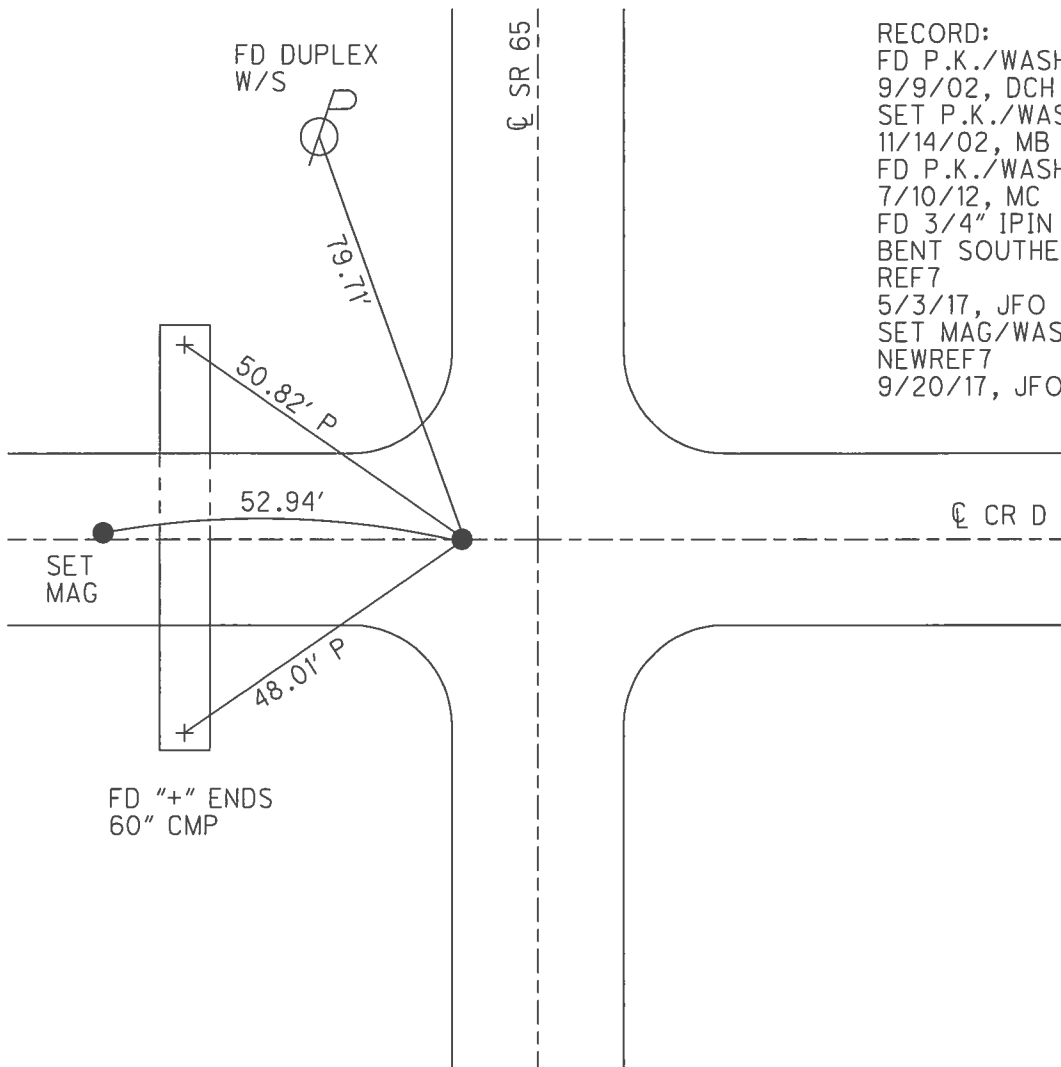
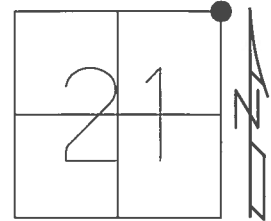
RECORD:
 SET P.K./WASHER
 11/14/02, MB
 FD P.K./WASHER
 7/10/12, MC
 FD P.K./WASHER
 REF6
 5/10/17, JFO
 SET MAG/WASHER
 9/20/17, JFO



O.D.O.T. DISTRICT 2 SURVEY OFFICE (USE ONLY)

PERSONNEL _____ REFERENCE NO. 7 SHEET 8 OF 42
 NOTES O'DONNELL DATE 9/28/17 ROUTE SR 65
 H.C. O'DONNELL WEATHER SUNNY COUNTY HENRY
 R.C. RHOADES TEMP. 70° TOWNSHIP BARTLOW
 _____ SECTION 21
 _____ T 3 N R 8 E

TYPE MONUMENT MAG/WASHER
 ON SURFACE - ~~BELOW~~ ON _____
 LEFT - CL PAV'T - ~~RIGHT~~ 9.5'
1.5' TO LT EDGE PAVEMENT
 S.L.M. 159+55
 GRID: NORTHING: 565931.648 EASTING: 1572503.484



RECORD:
 FD P.K./WASHER
 9/9/02, DCH
 SET P.K./WASHER
 11/14/02, MB
 FD P.K./WASHER
 7/10/12, MC
 FD 3/4" IPIN
 BENT SOUTHERLY
 REF7
 5/3/17, JFO
 SET MAG/WASHER
 NEWREF7
 9/20/17, JFO

O.D.O.T. DISTRICT 2 SURVEY OFFICE (USE ONLY)

PERSONNEL _____ REFERENCE NO. 7 A SHEET 9 OF 42

NOTES	<u>RHOADES</u>	DATE	<u>9/22/17</u>	ROUTE	<u>SR 65</u>
H.C.	<u>O'DONNELL</u>	WEATHER	<u>FAIR</u>	COUNTY	<u>HENRY</u>
R.C.	<u>RHOADES</u>	TEMP.	<u>70°</u>	TOWNSHIP	<u>BARTLOW</u>
				SECTION	<u>16</u>
				<u>T 3 N</u>	<u>R 8 E</u>

TYPE MONUMENT MAG/WASHER

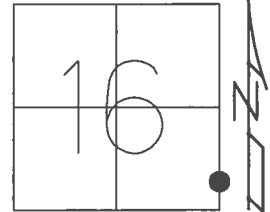
ON SURFACE - ~~BELOW~~ ON _____

LEFT - ☉ PAV'T - ~~RIGHT~~ 8.6', 0.7' N OF ☉ SR 18

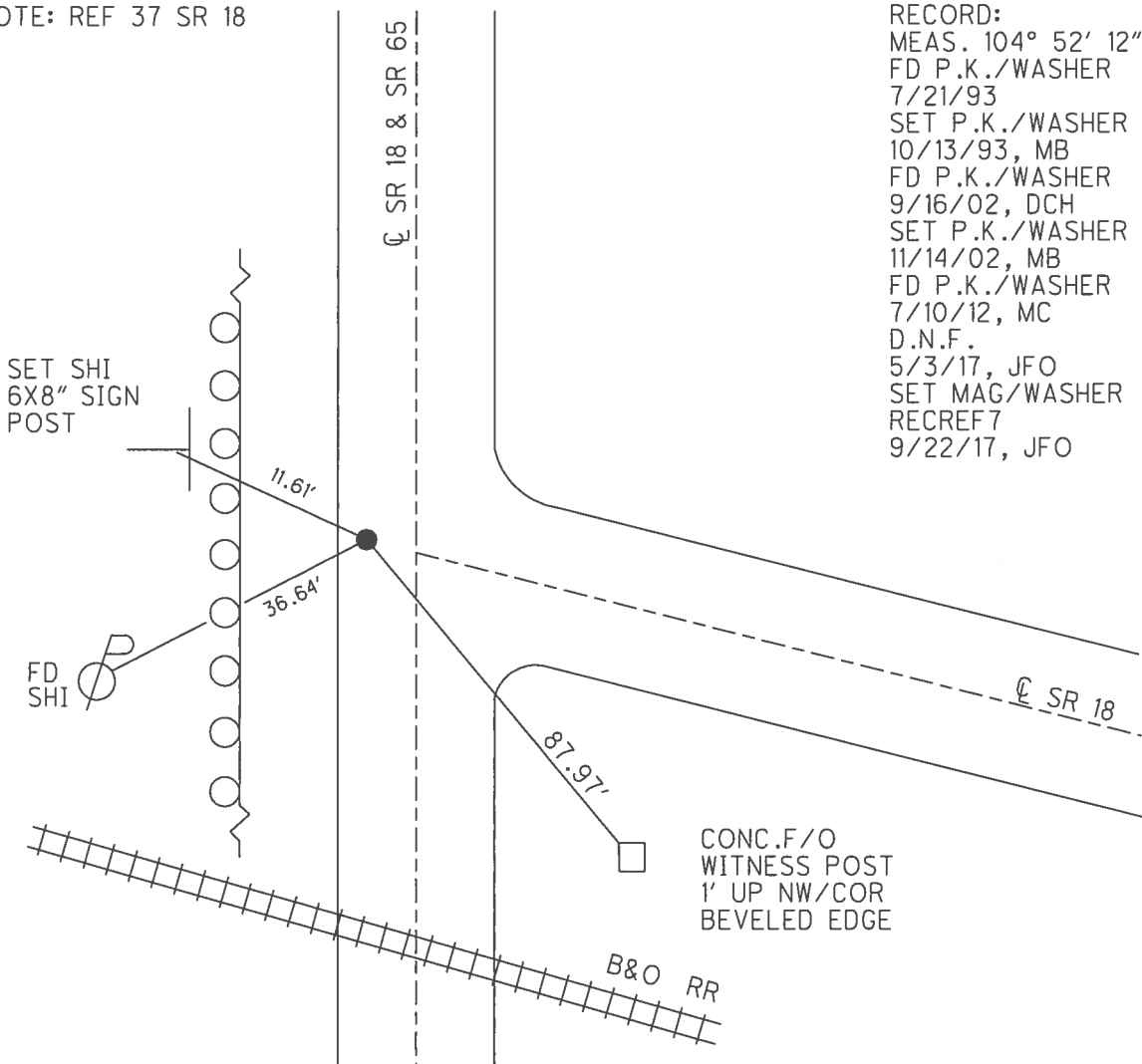
1.6' TO LT EDGE PAVEMENT

S.L.M. 164+65

GRID: NORTHING: 566529.641 EASTING: 1572505.884



NOTE: REF 37 SR 18

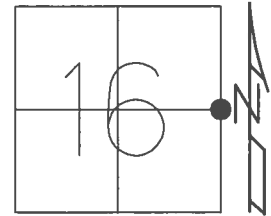


RECORD:
 MEAS. 104° 52' 12"
 FD P.K./WASHER
 7/21/93
 SET P.K./WASHER
 10/13/93, MB
 FD P.K./WASHER
 9/16/02, DCH
 SET P.K./WASHER
 11/14/02, MB
 FD P.K./WASHER
 7/10/12, MC
 D.N.F.
 5/3/17, JFO
 SET MAG/WASHER
 RECRE7
 9/22/17, JFO

O.D.O.T. DISTRICT 2 SURVEY OFFICE (USE ONLY)

PERSONNEL	REFERENCE NO.	<u>8</u>	SHEET	<u>10</u>	OF	<u>42</u>
NOTES	<u>RHOADES</u>	DATE	<u>5/3/17</u>	ROUTE	<u>SR 65</u>	
H.C.	<u>O'DONNELL</u>	WEATHER	<u>CLOUDY</u>	COUNTY	<u>HENRY</u>	
R.C.	<u>HELDMAN</u>	TEMP.	<u>52°</u>	TOWNSHIP	<u>BARTLOW</u>	
				SECTION	<u>16</u>	
				T	<u>3</u>	N
				R	<u>8</u>	E

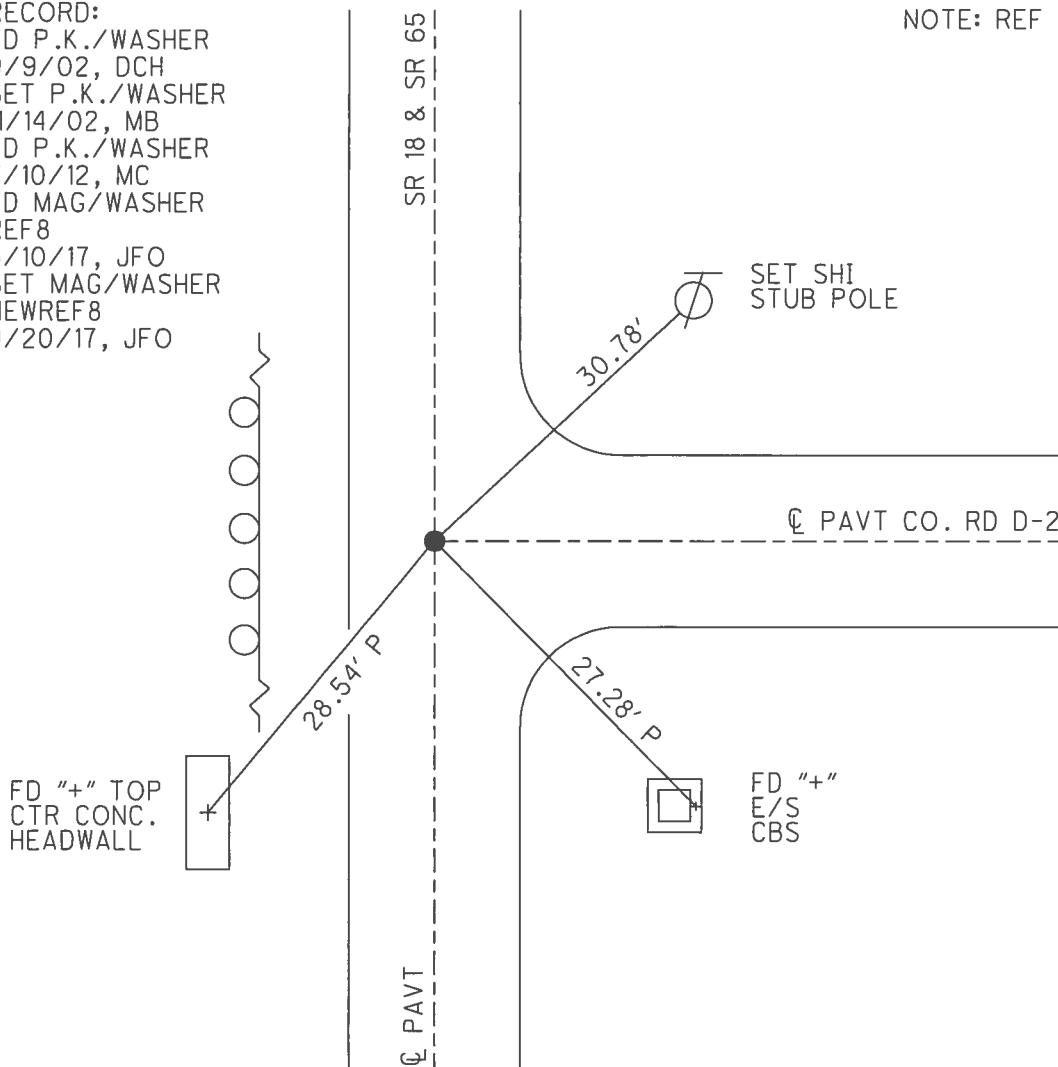
TYPE MONUMENT MAG/WASHER
 ON SURFACE - ~~BELOW~~ ON
~~LEFT~~ - ☉ PAV'T - RIGHT 0.3'
9.4' TO LT. EDGE PAVEMENT
 S.L.M. 184+90



GRID: NORTHING: 568566.514 EASTING: 1572515.193

RECORD:
 FD P.K./WASHER
 9/9/02, DCH
 SET P.K./WASHER
 11/14/02, MB
 FD P.K./WASHER
 7/10/12, MC
 FD MAG/WASHER
 REF8
 5/10/17, JFO
 SET MAG/WASHER
 NEWREF8
 9/20/17, JFO

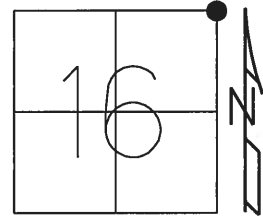
NOTE: REF 36 SR 18



O.D.O.T. DISTRICT 2 SURVEY OFFICE (USE ONLY)

PERSONNEL	REFERENCE NO.	9	SHEET	11	OF	42
NOTES	RHOADES	DATE	5/3/17	ROUTE	SR 65	
H.C.	O'DONNELL	WEATHER	CLOUDY	COUNTY	HENRY	
R.C.	HELDMAN	TEMP.	52°	TOWNSHIP	BARTLOW	
				SECTION	16	
				T	3	N
				R	8	E

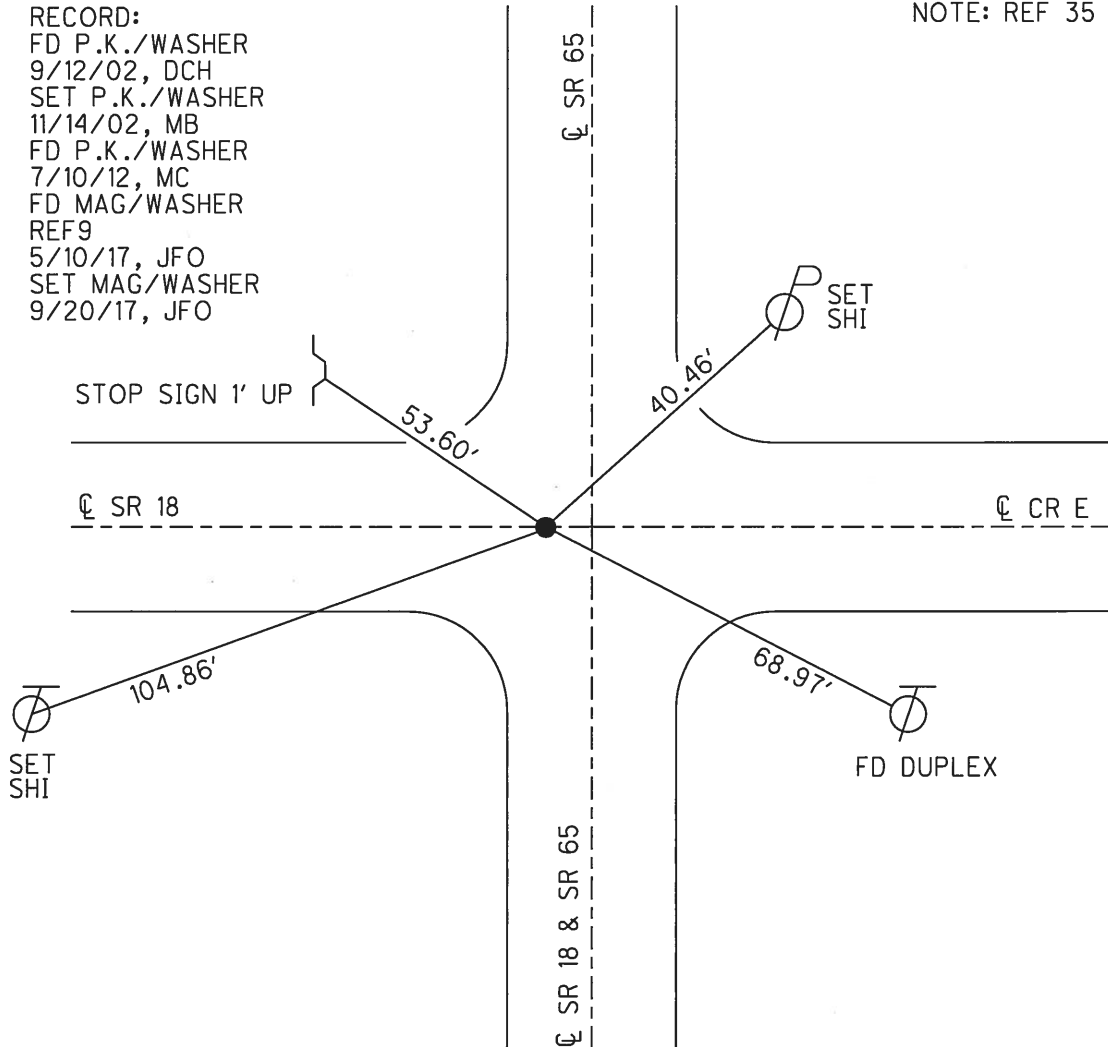
TYPE MONUMENT MAG/WASHER
 ON SURFACE - ~~BELOW~~ ON
~~LEFT~~ - CL PAV'T - RIGHT 2'
- TO - EDGE PAVEMENT
 S.L.M. 211+11



GRID: NORTHING: 571197.153 EASTING: 1572515.028

RECORD:
 FD P.K./WASHER
 9/12/02, DCH
 SET P.K./WASHER
 11/14/02, MB
 FD P.K./WASHER
 7/10/12, MC
 FD MAG/WASHER
 REF9
 5/10/17, JFO
 SET MAG/WASHER
 9/20/17, JFO

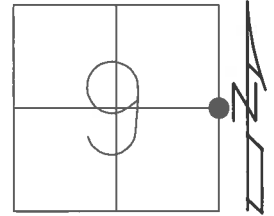
NOTE: REF 35 SR 18



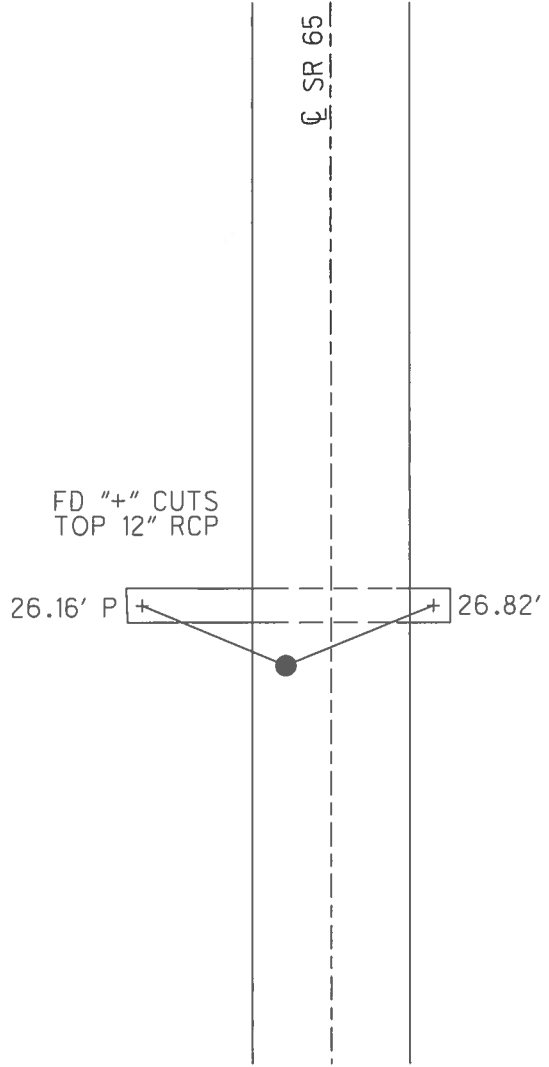
O.D.O.T. DISTRICT 2 SURVEY OFFICE (USE ONLY)

PERSONNEL	REFERENCE NO.	<u>10</u>	SHEET	<u>12</u>	OF	<u>42</u>
NOTES	<u>RHOADES</u>	DATE	<u>5/3/17</u>	ROUTE	<u>SR 65</u>	
H.C.	<u>O'DONNELL</u>	WEATHER	<u>CLOUDY</u>	COUNTY	<u>HENRY</u>	
R.C.	<u>HELDMAN</u>	TEMP.	<u>54°</u>	TOWNSHIP	<u>BARTLOW</u>	
				SECTION	<u>9</u>	
				T	<u>3</u>	N
				R	<u>8</u>	E

TYPE MONUMENT MAG/WASHER
 ON SURFACE - ~~BELOW~~ ON
 LEFT - ☉ PAV'T - ~~RIGHT~~ 7.5'
3.0' TO LT EDGE PAVEMENT
 S.L.M. 237+77
 GRID: NORTHING: 573837.417 EASTING: 1572516.250



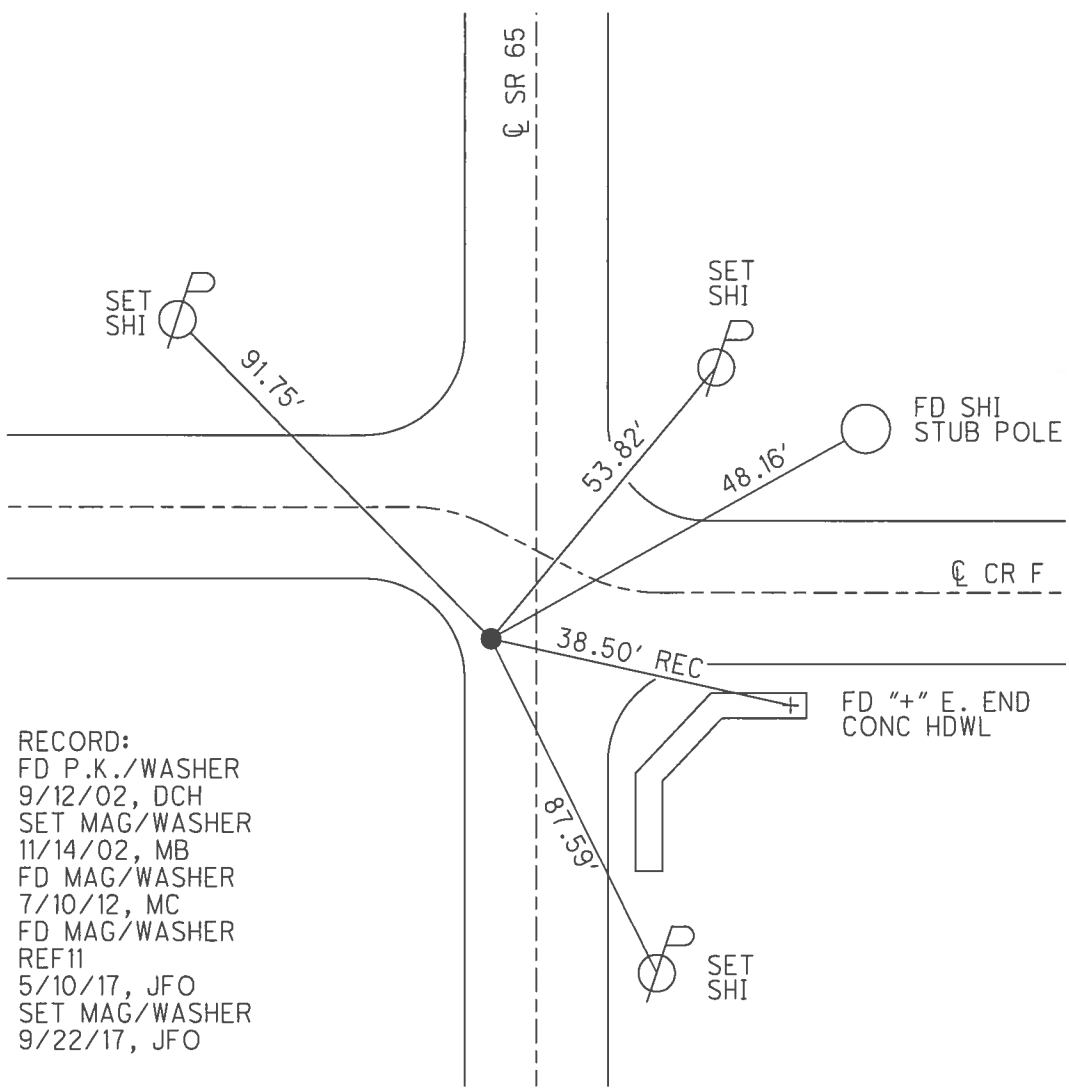
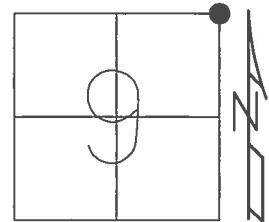
RECORD:
 FD P.K./WASHER
 9/12/02, DCH
 SET MAG/WASHER
 11/14/02, MB
 FD P.K./WASHER
 7/10/12, MC
 FD MAG/WASHER
 REF10
 5/10/17, JFO
 SET MAG/WASHER
 9/22/17, JFO



O.D.O.T. DISTRICT 2 SURVEY OFFICE (USE ONLY)

PERSONNEL	REFERENCE NO.	<u>11</u>	SHEET	<u>13</u>	OF	<u>42</u>
NOTES	<u>RHOADES</u>	DATE	<u>5/3/17</u>	ROUTE	<u>SR 65</u>	
H.C.	<u>O'DONNELL</u>	WEATHER	<u>CLOUDY</u>	COUNTY	<u>HENRY</u>	
R.C.	<u>HELDMAN</u>	TEMP.	<u>54°</u>	TOWNSHIP	<u>BARTLOW</u>	
				SECTION	<u>9</u>	
				T	<u>3</u>	R
					<u>N</u>	<u>8</u>
					<u>E</u>	

TYPE MONUMENT MAG/WASHER
 ON SURFACE - ~~BELOW~~ ON
 LEFT - ☉ PAV'T - ~~RIGHT~~ 7.7'
2.4' TO LT EDGE PAVEMENT
 S.L.M. 263+99
 GRID: NORTHING: 576477.651 EASTING: 1572517.841



RECORD:
 FD P.K./WASHER
 9/12/02, DCH
 SET MAG/WASHER
 11/14/02, MB
 FD MAG/WASHER
 7/10/12, MC
 FD MAG/WASHER
 REF11
 5/10/17, JFO
 SET MAG/WASHER
 9/22/17, JFO

O.D.O.T. DISTRICT 2 SURVEY OFFICE (USE ONLY)

PERSONNEL	REFERENCE NO.	<u>12</u>	SHEET	<u>14</u>	OF	<u>42</u>
NOTES	<u>RHOADES</u>	DATE	<u>5/3/17</u>	ROUTE	<u>SR 65</u>	
H.C.	<u>O'DONNELL</u>	WEATHER	<u>CLOUDY</u>	COUNTY	<u>HENRY</u>	
R.C.	<u>HELDMAN</u>	TEMP.	<u>54°</u>	TOWNSHIP	<u>BARTLOW</u>	
				SECTION	<u>4</u>	
				T	<u>3</u>	N
				R	<u>8</u>	E

TYPE MONUMENT BARN SPIKE ATOP 3/4" IPIPE

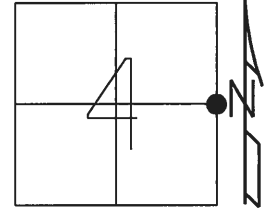
~~ON SURFACE~~ - BELOW 14"

LEFT - ℄ PAV'T - ~~RIGHT~~ 12.8'

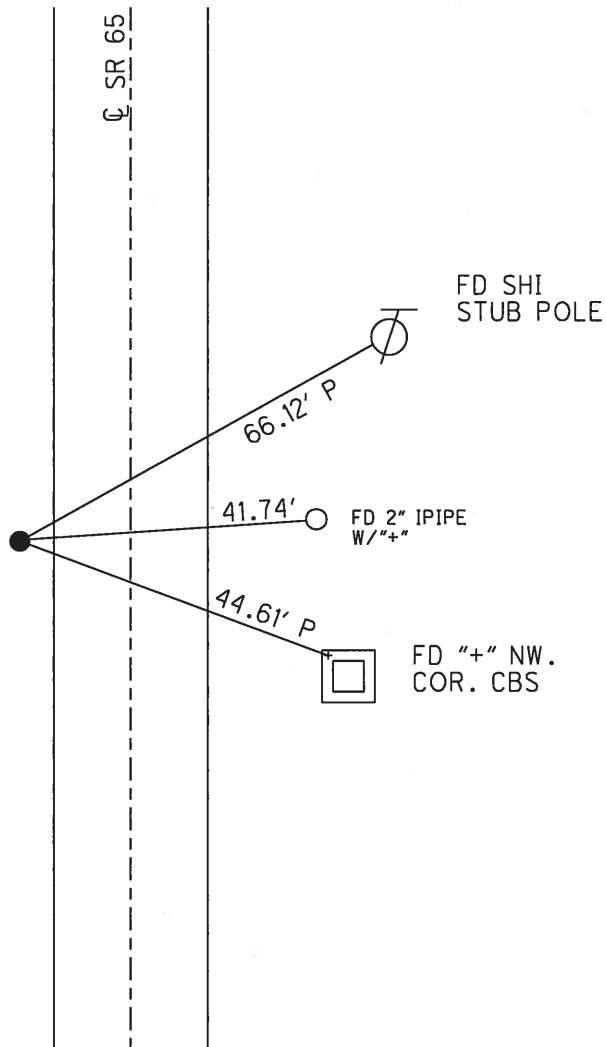
3.8' LT OF LT EDGE PAVEMENT

S.L.M. 290+31

GRID: NORTHING: 579115.336 EASTING: 1572511.789



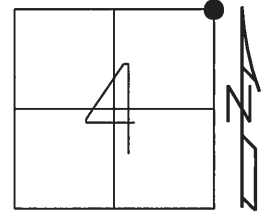
RECORD:
 FD 3/4" IPIPE
 12" DOWN
 9/12/02, DCH
 FD 3/4" IPIPE
 11/14/02, MB
 FD 3/4" IPIPE
 7/10/12, MC
 FD BARN SPIKE
 ATOP 3/4" IPIPE
 14" DOWN
 REF12
 5/3/17, JFO



O.D.O.T. DISTRICT 2 SURVEY OFFICE (USE ONLY)

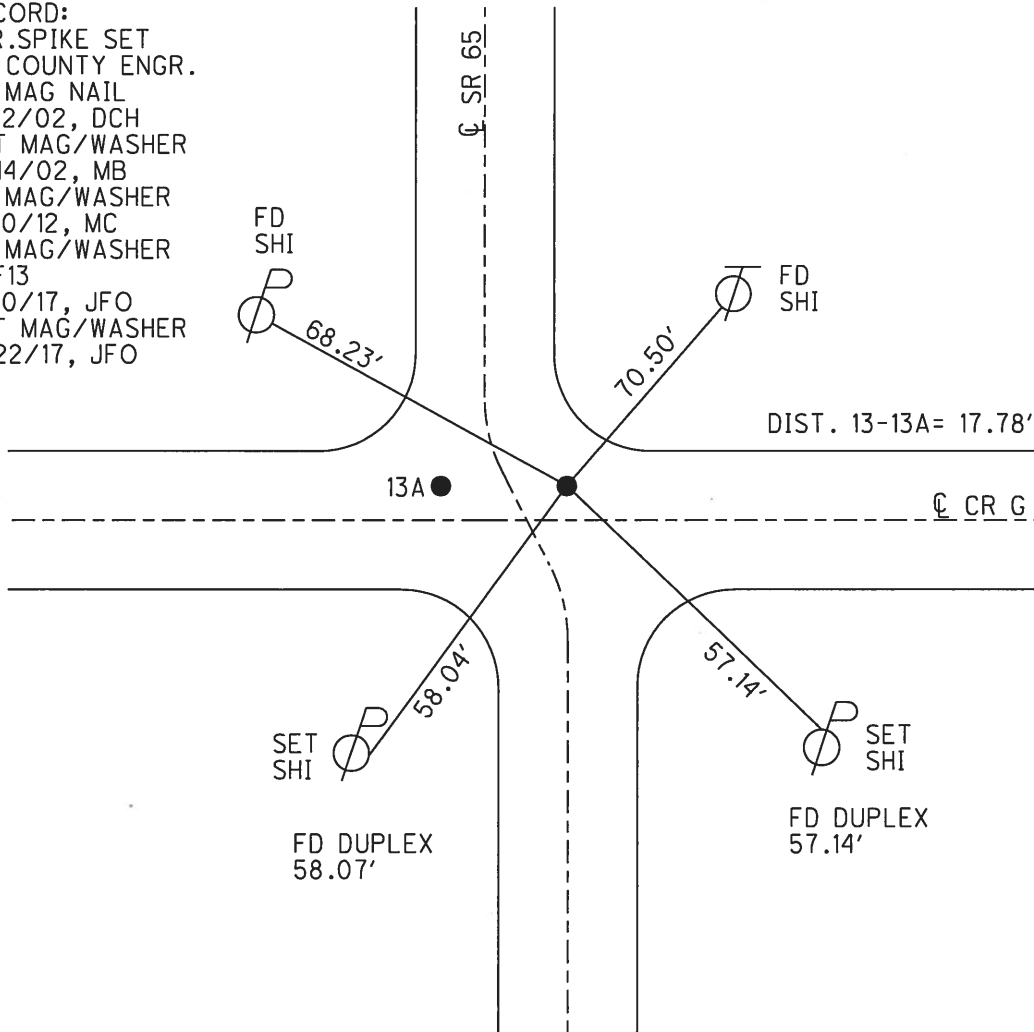
PERSONNEL _____ REFERENCE NO. 13 SHEET 15 OF 42
 NOTES RHOADES DATE 5/8/17 ROUTE SR 65
 H.C. O'DONNELL WEATHER SUNNY COUNTY HENRY
 R.C. RHOADES TEMP. 37° TOWNSHIP BARTLOW
 _____ SECTION 4
 _____ T 3 N R 8 E

TYPE MONUMENT MAG/WASHER
 ON SURFACE - ~~BELOW~~ ON _____
~~LEFT~~ - ☉ PAV'T - RIGHT 7.5', 5' N. OF ☉ E.
 _____ TO _____ EDGE PAVEMENT
 S.L.M. 316+59



GRID: NORTHING: 581750.092 EASTING: 1572510.693

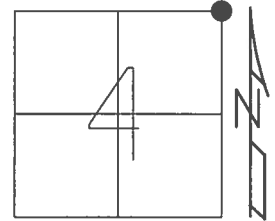
RECORD:
 R.R.SPIKE SET
 BY COUNTY ENGR.
 FD MAG NAIL
 9/12/02, DCH
 SET MAG/WASHER
 11/14/02, MB
 FD MAG/WASHER
 7/10/12, MC
 FD MAG/WASHER
 REF13
 5/10/17, JFO
 SET MAG/WASHER
 9/22/17, JFO



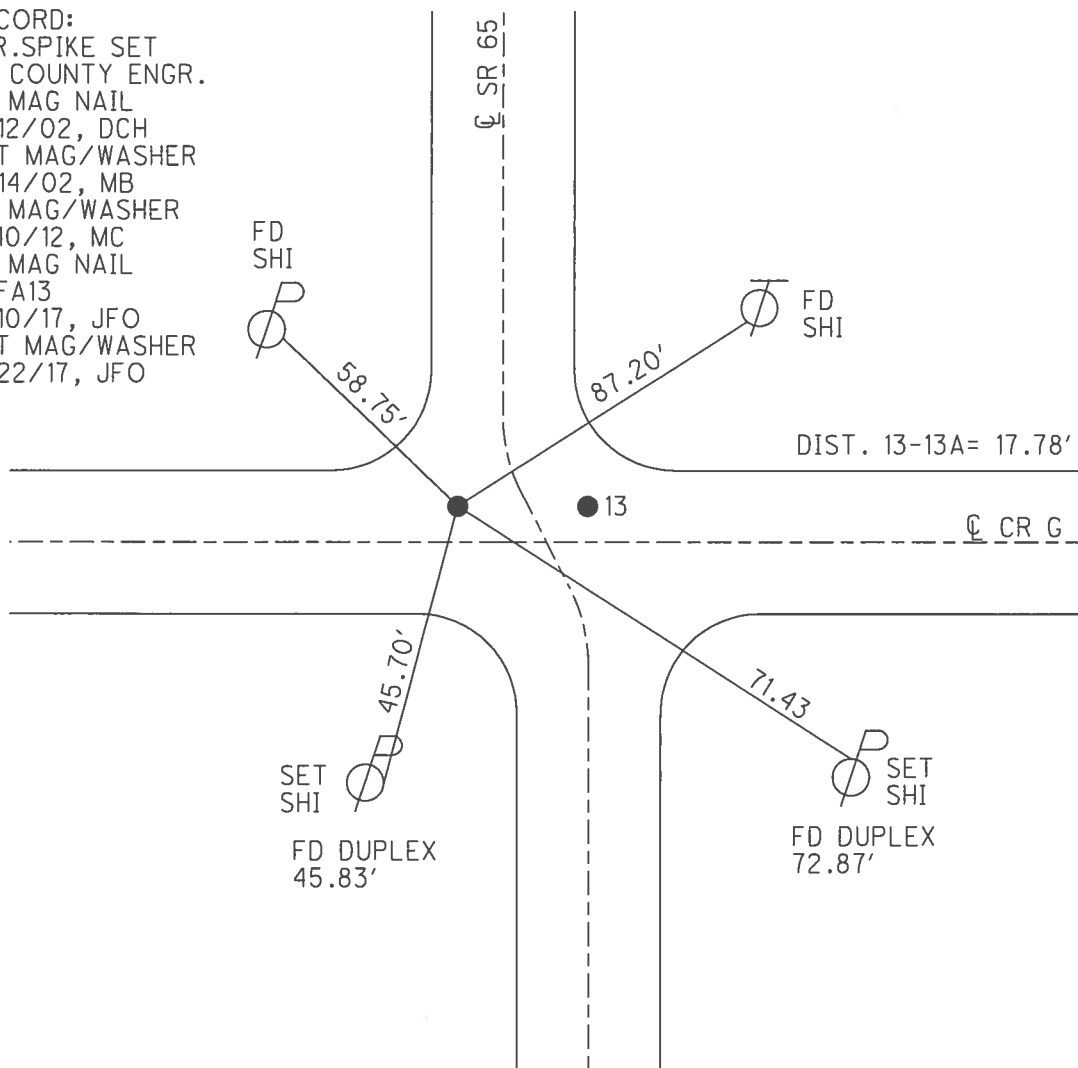
O.D.O.T. DISTRICT 2 SURVEY OFFICE (USE ONLY)

PERSONNEL	REFERENCE NO.	13 A	SHEET	16	OF	42
NOTES	RHOADES	DATE	5/8/17	ROUTE	SR 65	
H.C.	O'DONNELL	WEATHER	SUNNY	COUNTY	HENRY	
R.C.	RHOADES	TEMP.	37°	TOWNSHIP	BARTLOW	
				SECTION	4	
				T	3	N
				R	8	E

TYPE MONUMENT MAG NAIL
 ON SURFACE - ~~BELOW~~ ON _____
 LEFT - ☉ PAV'T - ~~RIGHT~~ 10.3', 5' N. OF ☉ E.
 _____ TO _____ EDGE PAVEMENT
 S.L.M. 316+59
 GRID: NORTHING: 581750.046 EASTING: 1572492.923



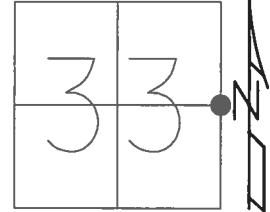
RECORD:
 R.R.SPIKE SET
 BY COUNTY ENGR.
 FD MAG NAIL
 9/12/02, DCH
 SET MAG/WASHER
 11/14/02, MB
 FD MAG/WASHER
 7/10/12, MC
 FD MAG NAIL
 REFA13
 5/10/17, JFO
 SET MAG/WASHER
 9/22/17, JFO



O.D.O.T. DISTRICT 2 SURVEY OFFICE (USE ONLY)

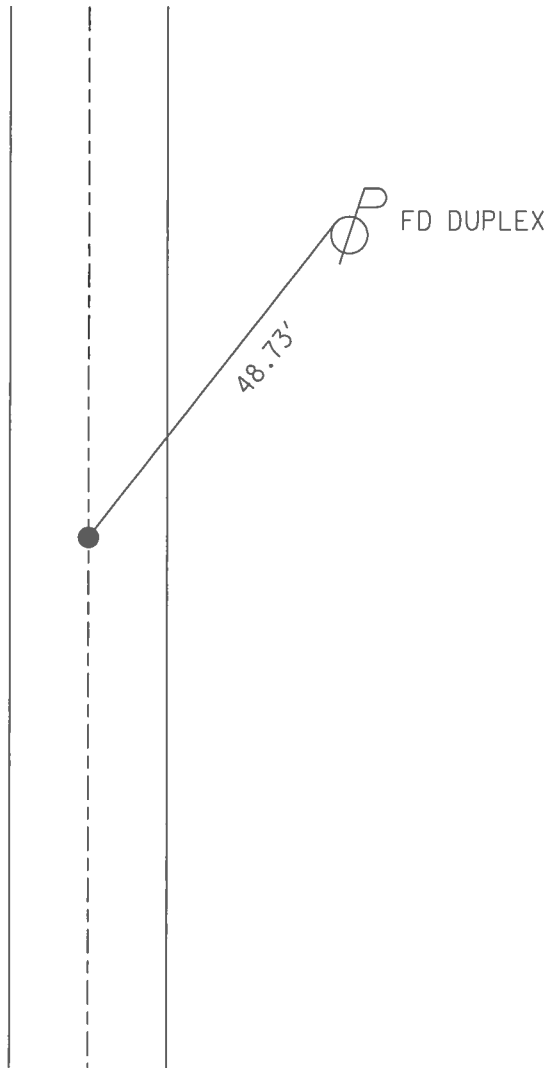
PERSONNEL _____ REFERENCE NO. 14 SHEET 17 OF 42
 NOTES BARNHISEL DATE 9/16/02 ROUTE SR 65
 H.C. CANTERBURY WEATHER SUNNY COUNTY HENRY
 R.C. BARNHISEL TEMP. 75° TOWNSHIP RICHFIELD
 _____ SECTION 33
 _____ T 4 N R 8 E

TYPE MONUMENT MON BOX
 ON SURFACE - ~~BELOW~~ ON
 LEFT - ☉ PAV'T - RIGHT ON
9.6' TO LT EDGE PAVEMENT
 S.L.M. 343+49



GRID: NORTHING: 584434.625 EASTING: 1572510.533

RECORD:
 R.R.SPIKE SET
 BY COUNTY ENGR.
 FD MONBOX
 9/16/02, DCH
 FD MONBOX
 7/10/12, MC
 FD MONBOX
 RECF14
 5/10/17, JFO
 SET MONBOX
 W/1" IPIN
 NEWREF14
 9/22/17, JFO



O.D.O.T. DISTRICT 2 SURVEY OFFICE (USE ONLY)

PERSONNEL _____ REFERENCE NO. 15 SHEET 18 OF 42

NOTES RHOADES DATE 5/8/17 ROUTE SR 65
 H.C. O'DONNELL WEATHER SUNNY COUNTY HENRY
 R.C. RHOADES TEMP. 37° TOWNSHIP RICHFIELD
 _____ SECTION 33
 _____ T 4 N R 8 E

TYPE MONUMENT MAG/WASHER

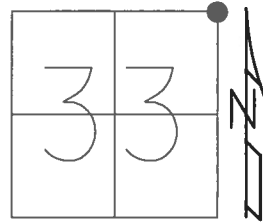
ON SURFACE - ~~BELOW~~ ON _____

LEFT - ☉ PAV'T - ~~RIGHT~~ 0.5', 3.5' S.OF ☉ E.

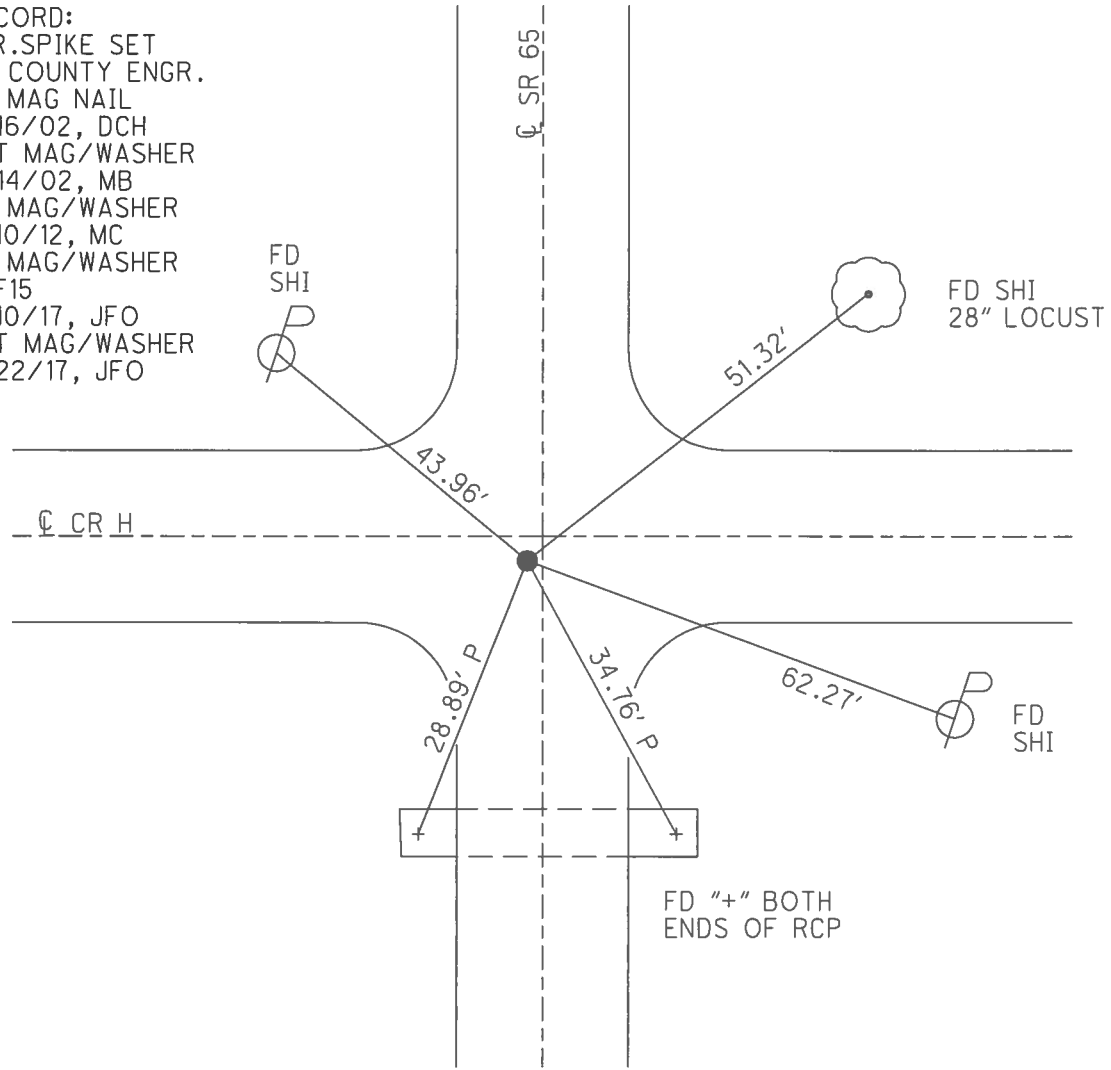
_____ TO _____ EDGE PAVEMENT

S.L.M. 370+38

GRID: NORTHING: 587119.228 EASTING: 1572528.191



RECORD:
 R.R.SPIKE SET
 BY COUNTY ENGR.
 FD MAG NAIL
 9/16/02, DCH
 SET MAG/WASHER
 11/14/02, MB
 FD MAG/WASHER
 7/10/12, MC
 FD MAG/WASHER
 REF15
 5/10/17, JFO
 SET MAG/WASHER
 9/22/17, JFO



O.D.O.T. DISTRICT 2 SURVEY OFFICE (USE ONLY)

PERSONNEL _____ REFERENCE NO. 16 SHEET 19 OF 42

NOTES	<u>RHOADES</u>	DATE	<u>5/8/17</u>	ROUTE	<u>SR 65</u>
H.C.	<u>O'DONNELL</u>	WEATHER	<u>SUNNY</u>	COUNTY	<u>HENRY</u>
R.C.	<u>RHOADES</u>	TEMP.	<u>44°</u>	TOWNSHIP	<u>RICHFIELD</u>
				SECTION	<u>28</u>
					<u>T 4 N R 8 E</u>

TYPE MONUMENT MAG/WASHER

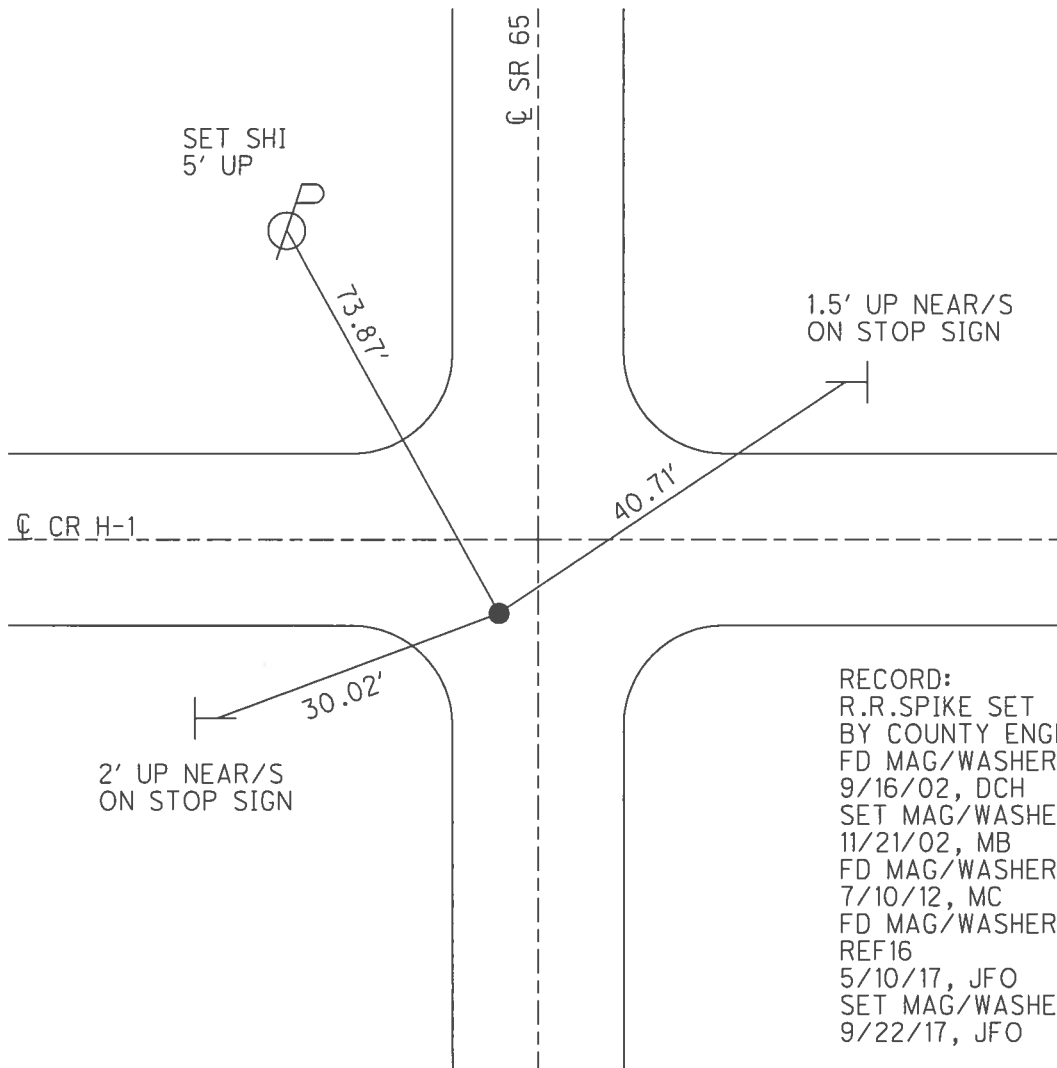
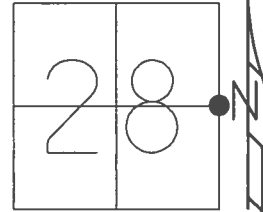
ON SURFACE - ~~BELOW~~ ON _____

LEFT - ☉ PAV'T - ~~RIGHT~~ 3.0', 8' S. OF ☉ E.

6.6' TO LT EDGE PAVEMENT

S.L.M. 396+93

GRID: NORTHING: 589778.623 EASTING: 1572539.737

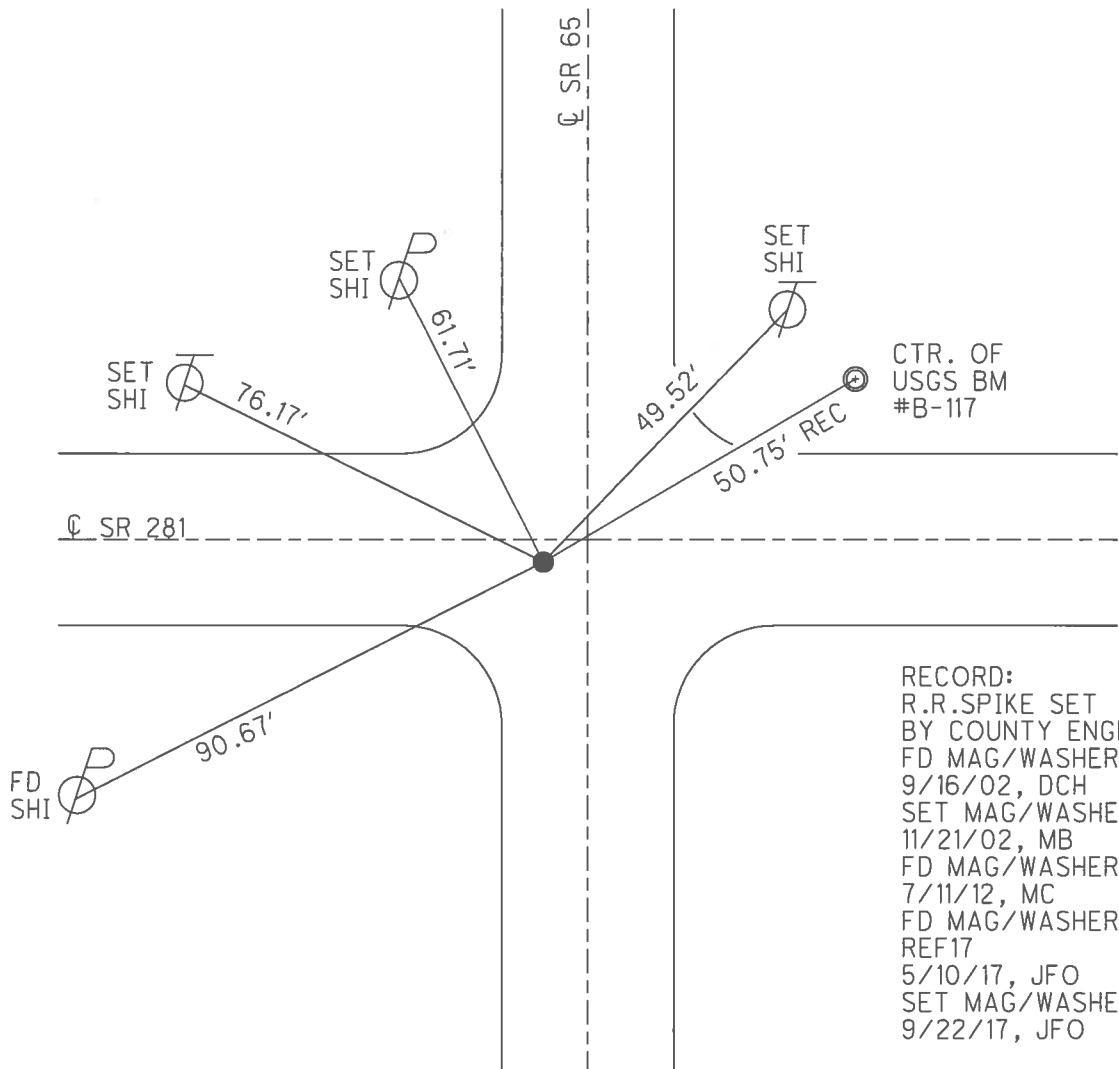
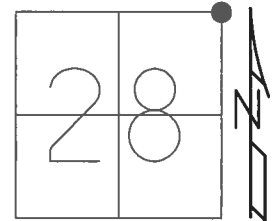


RECORD:
 R.R.SPIKE SET
 BY COUNTY ENGR.
 FD MAG/WASHER
 9/16/02, DCH
 SET MAG/WASHER
 11/21/02, MB
 FD MAG/WASHER
 7/10/12, MC
 FD MAG/WASHER
 REF16
 5/10/17, JFO
 SET MAG/WASHER
 9/22/17, JFO

O.D.O.T. DISTRICT 2 SURVEY OFFICE (USE ONLY)

PERSONNEL	REFERENCE NO.	17	SHEET	20	OF	42
NOTES	RHOADES	DATE	5/8/17	ROUTE	SR 65	
H.C.	O'DONNELL	WEATHER	SUNNY	COUNTY	HENRY	
R.C.	RHOADES	TEMP.	44°	TOWNSHIP	RICHFIELD	
				SECTION	28	
				T	4	N
				R	8	E

TYPE MONUMENT MAG/WASHER
 ON SURFACE - ~~BELOW~~ ON _____
 LEFT - ☉ PAV'T - ~~RIGHT~~ 3.2', 1.7' S. OF ☉ SR 281
 - TO - EDGE PAVEMENT
 S.L.M. 423+45
 GRID: NORTHING: 592437.952 EASTING: 1572551.483

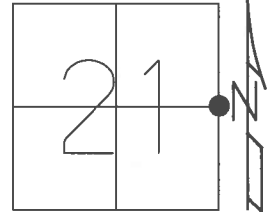


RECORD:
 R.R.SPIKE SET
 BY COUNTY ENGR.
 FD MAG/WASHER
 9/16/02, DCH
 SET MAG/WASHER
 11/21/02, MB
 FD MAG/WASHER
 7/11/12, MC
 FD MAG/WASHER
 REF17
 5/10/17, JFO
 SET MAG/WASHER
 9/22/17, JFO

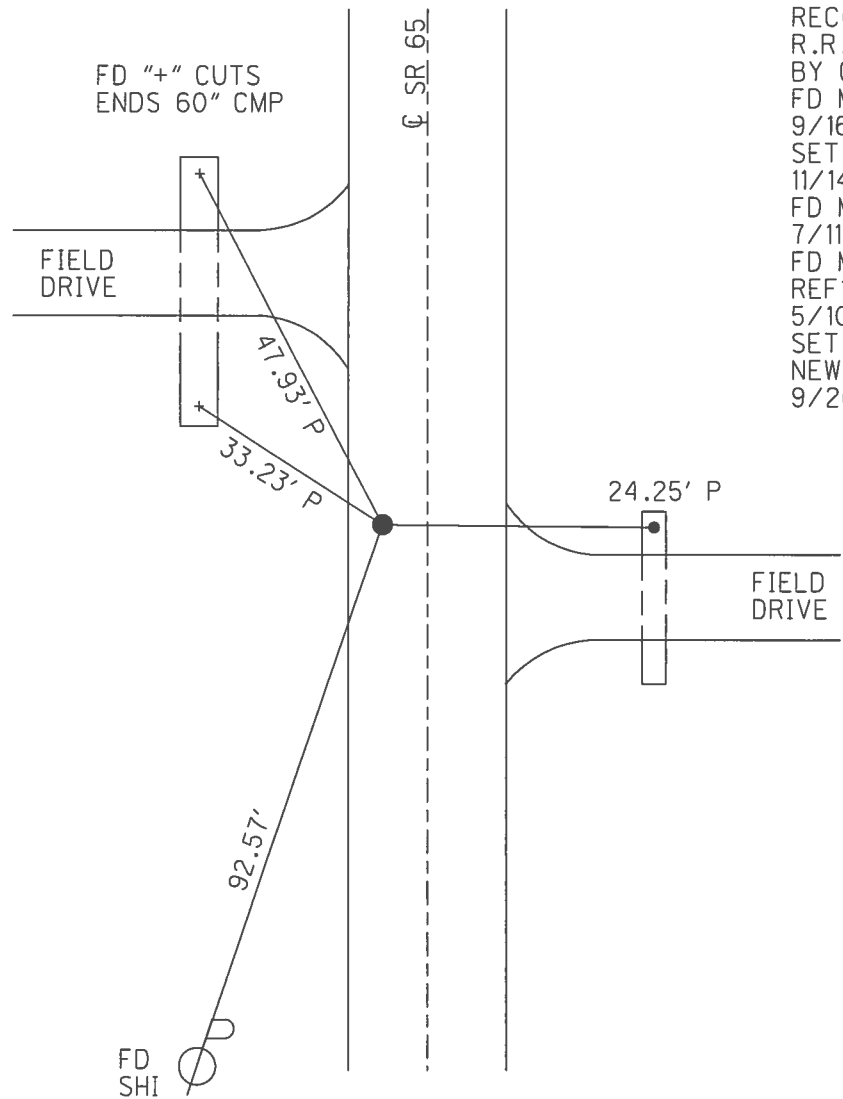
O.D.O.T. DISTRICT 2 SURVEY OFFICE (USE ONLY)

PERSONNEL _____ REFERENCE NO. 18 SHEET 21 OF 42
 NOTES RHOADES DATE 5/8/17 ROUTE SR 65
 H.C. O'DONNELL WEATHER SUNNY COUNTY HENRY
 R.C. RHOADES TEMP. 44° TOWNSHIP RICHFIELD
 _____ SECTION 21
 _____ T 4 N R 8 E

TYPE MONUMENT MAG/WASHER
 ON SURFACE - ~~BELOW~~ ON _____
 LEFT - ☉ PAV'T - ~~RIGHT~~ 4.9'
3.6' TO LT. EDGE PAVEMENT
 S.L.M. 449+99



GRID: NORTHING: 595091.897 EASTING: 1572562.053



RECORD:
 R.R. SPIKE SET
 BY COUNTY ENGR.
 FD MAG NAIL
 9/16/02, DCH
 SET MAG/WASHER
 11/14/02, MB
 FD MAG/WASHER
 7/11/12, MC
 FD MAG/WASHER
 REF18
 5/10/17, JFO
 SET MAG/WASHER
 NEWREF18
 9/26/17, JFO

O.D.O.T. DISTRICT 2 SURVEY OFFICE (USE ONLY)

PERSONNEL	REFERENCE NO.	<u>19</u>	SHEET	<u>22</u>	OF	<u>42</u>
NOTES	<u>RHOADES</u>	DATE	<u>5/8/17</u>	ROUTE	<u>SR 65</u>	
H.C.	<u>O'DONNELL</u>	WEATHER	<u>SUNNY</u>	COUNTY	<u>HENRY</u>	
R.C.	<u>RHOADES</u>	TEMP.	<u>44°</u>	TOWNSHIP	<u>RICHFIELD</u>	
				SECTION	<u>21</u>	
				T	<u>4</u>	N
				R	<u>8</u>	E

TYPE MONUMENT MAG SHANK

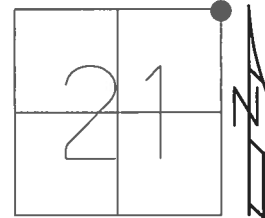
~~ON SURFACE~~ - BELOW ON _____

LEFT - ☉ PAV'T - ~~RIGHT~~ 0.5', 7' S. OF ☉ CR J

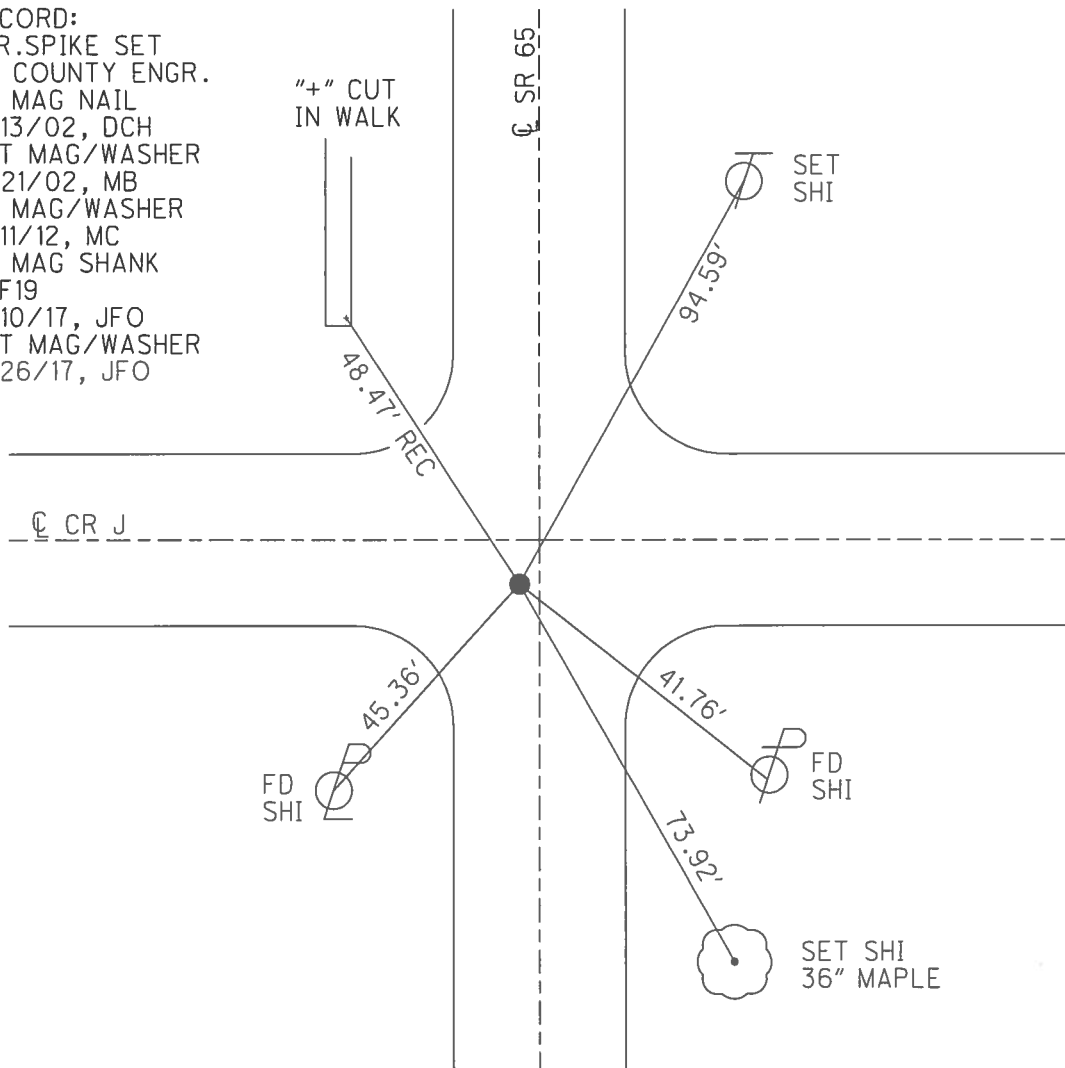
- TO - EDGE PAVEMENT

S.L.M. 476+55

GRID: NORTHING: 597746.184 EASTING: 1572573.835



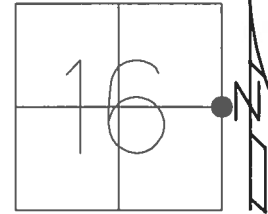
RECORD:
 R.R.SPIKE SET
 BY COUNTY ENGR.
 FD MAG NAIL
 9/13/02, DCH
 SET MAG/WASHER
 11/21/02, MB
 FD MAG/WASHER
 7/11/12, MC
 FD MAG SHANK
 REF19
 5/10/17, JFO
 SET MAG/WASHER
 9/26/17, JFO



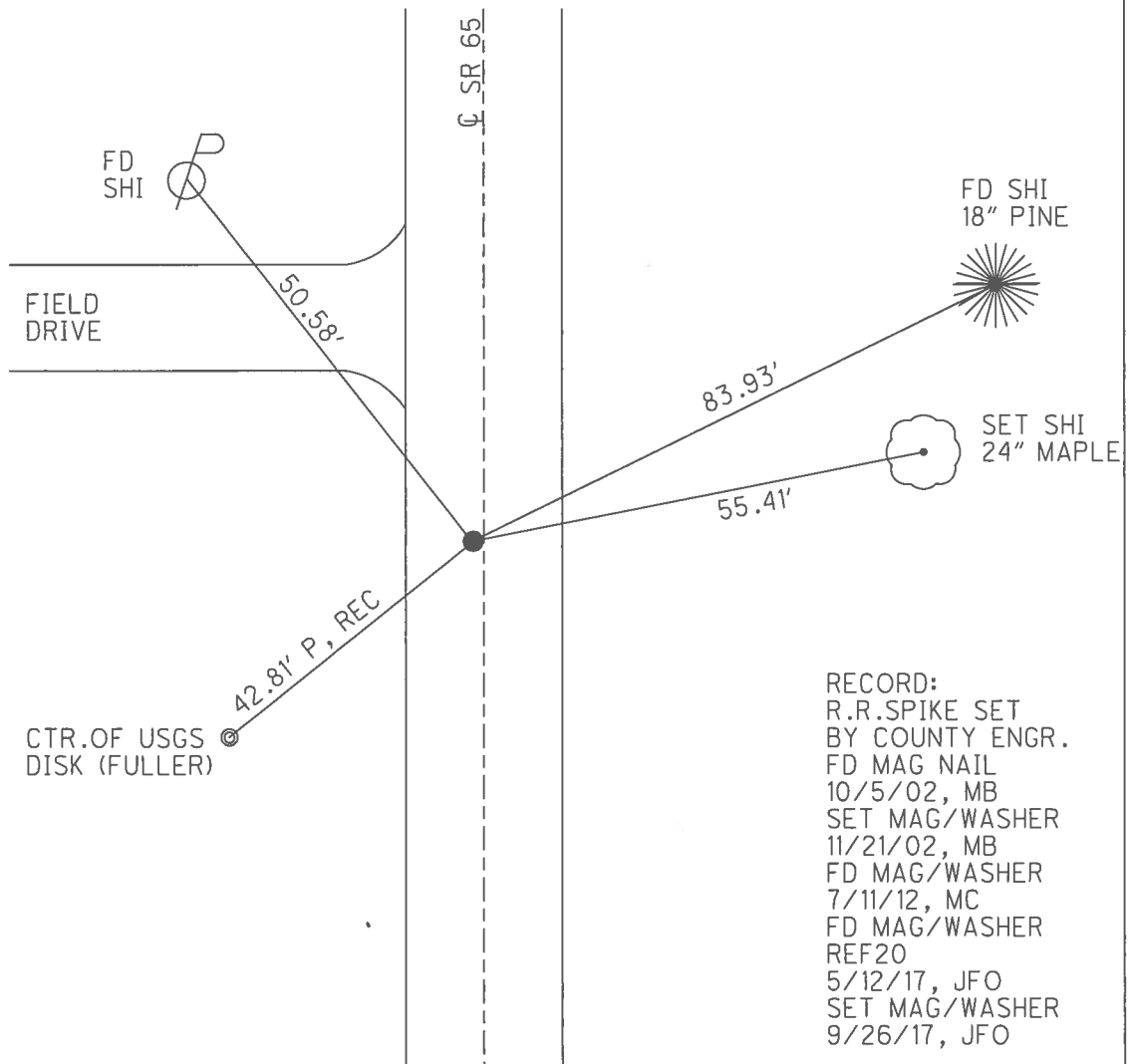
O.D.O.T. DISTRICT 2 SURVEY OFFICE (USE ONLY)

PERSONNEL	REFERENCE NO.	<u>20</u>	SHEET	<u>23</u>	OF	<u>42</u>
NOTES	RHOADES	DATE	<u>5/9/17</u>	ROUTE	<u>SR 65</u>	
H.C.	O'DONNELL	WEATHER	<u>SUNNY</u>	COUNTY	<u>HENRY</u>	
R.C.	RHOADES	TEMP.	<u>47°</u>	TOWNSHIP	<u>RICHFIELD</u>	
				SECTION	<u>16</u>	
				T	<u>4</u>	N
				R	<u>8</u>	E

TYPE MONUMENT MAG/WASHER
~~ON SURFACE~~ - BELOW ON
 LEFT - ☉ PAV'T - ~~RIGHT~~ 0.5'
9.3' TO LT EDGE PAVEMENT
 S.L.M. 503+05



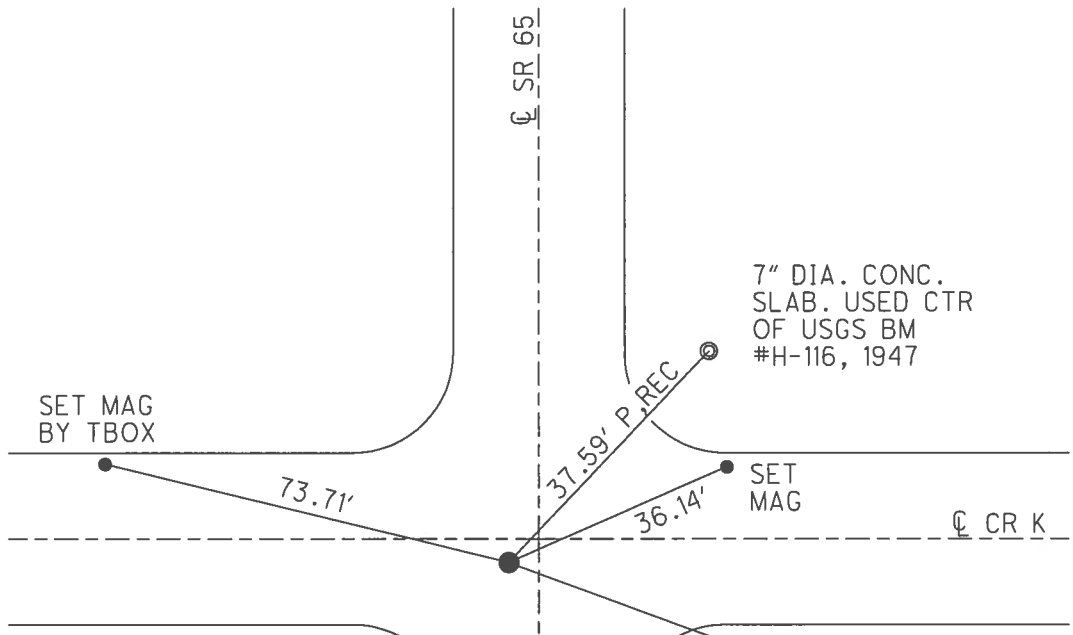
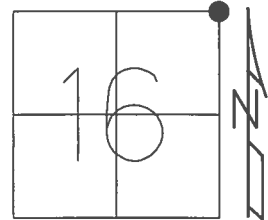
GRID: NORTHING: 600395.657 EASTING: 1572587.396



O.D.O.T. DISTRICT 2 SURVEY OFFICE (USE ONLY)

PERSONNEL _____ REFERENCE NO. 21 SHEET 24 OF 42
 NOTES RHOADES DATE 5/9/17 ROUTE SR 65
 H.C. O'DONNELL WEATHER SUNNY COUNTY HENRY
 R.C. RHOADES TEMP. 47° TOWNSHIP RICHFIELD
 _____ SECTION 16
 _____ T 4 N R 8 E

TYPE MONUMENT MAG/WASHER
 ON SURFACE - ~~BELOW~~ ON
 LEFT - ☉ PAV'T - ~~RIGHT~~ 5.6', 5' S.OF ☉ CR K W.
_____ TO _____ EDGE PAVEMENT
 S.L.M. 529+25
 GRID: NORTHING: 603045.127 EASTING: 1572600.423



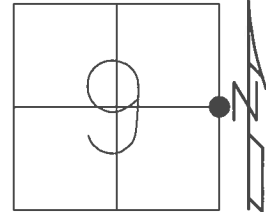
RECORD:
 R.R.SPIKE SET
 BY COUNTY ENGR.
 SET MAG/WASHER
 11/21/02, MB
 FD MAG/WASHER
 7/11/12, MC
 FD MAG NAIL
 7/9/15, DCH
 FD MAG/WASHER
 REF21
 5/12/17, JFO
 SET MAG/WASHER
 9/26/17, JFO



O.D.O.T. DISTRICT 2 SURVEY OFFICE (USE ONLY)

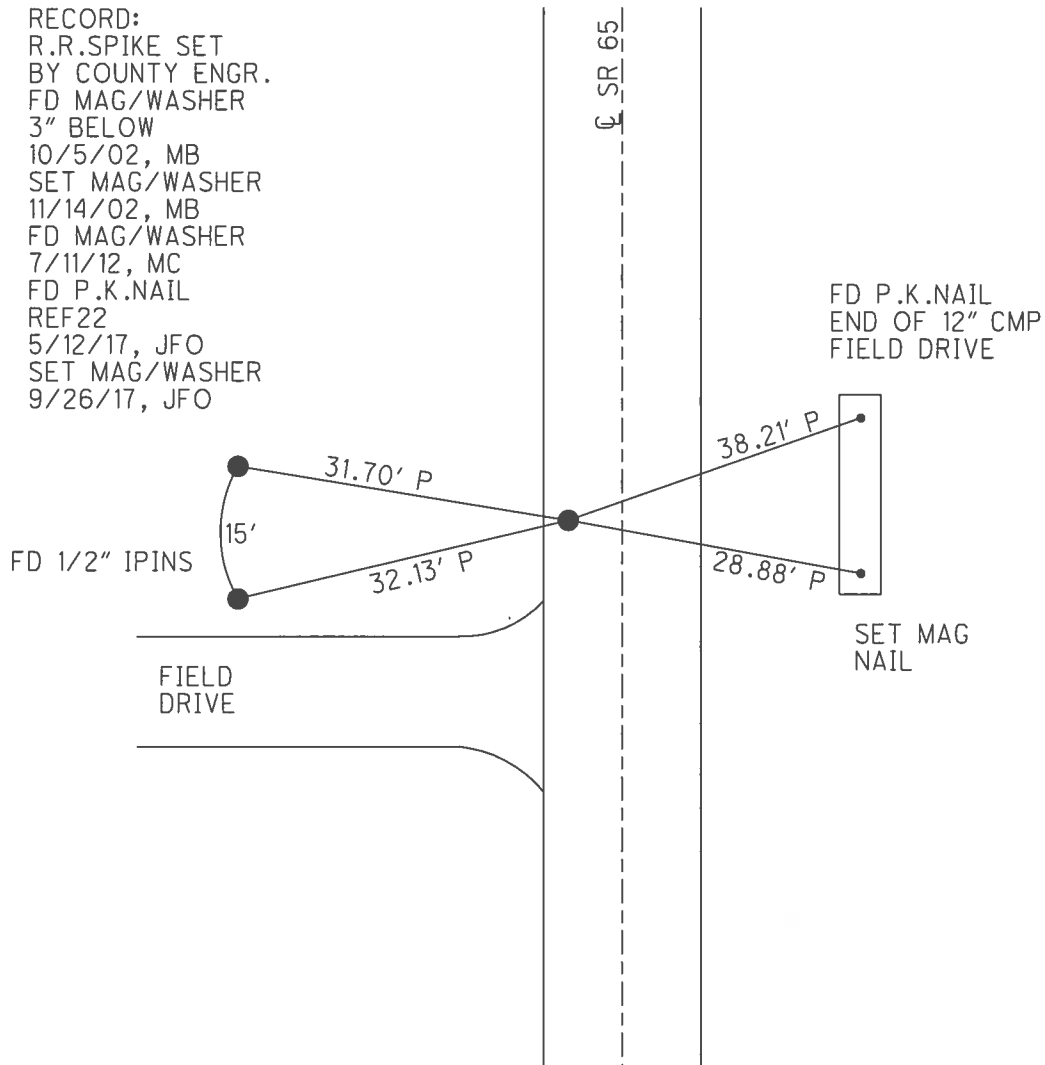
PERSONNEL	REFERENCE NO.	22	SHEET	25	OF	42
NOTES	RHOADES	DATE	5/9/17	ROUTE	SR 65	
H.C.	O'DONNELL	WEATHER	SUNNY	COUNTY	HENRY	
R.C.	RHOADES	TEMP.	47°	TOWNSHIP	RICHFIELD	
				SECTION	9	
				T	4	N
				R	8	E

TYPE MONUMENT P.K.NAIL
 ON SURFACE - ~~BELOW~~ ON _____
 LEFT - Q PAV'T - ~~RIGHT~~ 7.5'
2.2' TO LT EDGE PAVEMENT
 S.L.M. 555+99



GRID: NORTHING: 605681.637 EASTING: 1572610.688

RECORD:
 R.R.SPIKE SET
 BY COUNTY ENGR.
 FD MAG/WASHER
 3" BELOW
 10/5/02, MB
 SET MAG/WASHER
 11/14/02, MB
 FD MAG/WASHER
 7/11/12, MC
 FD P.K.NAIL
 REF22
 5/12/17, JFO
 SET MAG/WASHER
 9/26/17, JFO



O.D.O.T. DISTRICT 2 SURVEY OFFICE (USE ONLY)

PERSONNEL _____ REFERENCE NO. 23 SHEET 26 OF 42

NOTES	<u>RHOADES</u>	DATE	<u>5/9/17</u>	ROUTE	<u>SR 65</u>
H.C.	<u>O'DONNELL</u>	WEATHER	<u>SUNNY</u>	COUNTY	<u>HENRY</u>
R.C.	<u>RHOADES</u>	TEMP.	<u>47°</u>	TOWNSHIP	<u>RICHFIELD</u>
				SECTION	<u>9</u>
					<u>T 4 N R 8 E</u>

TYPE MONUMENT MAG NAIL

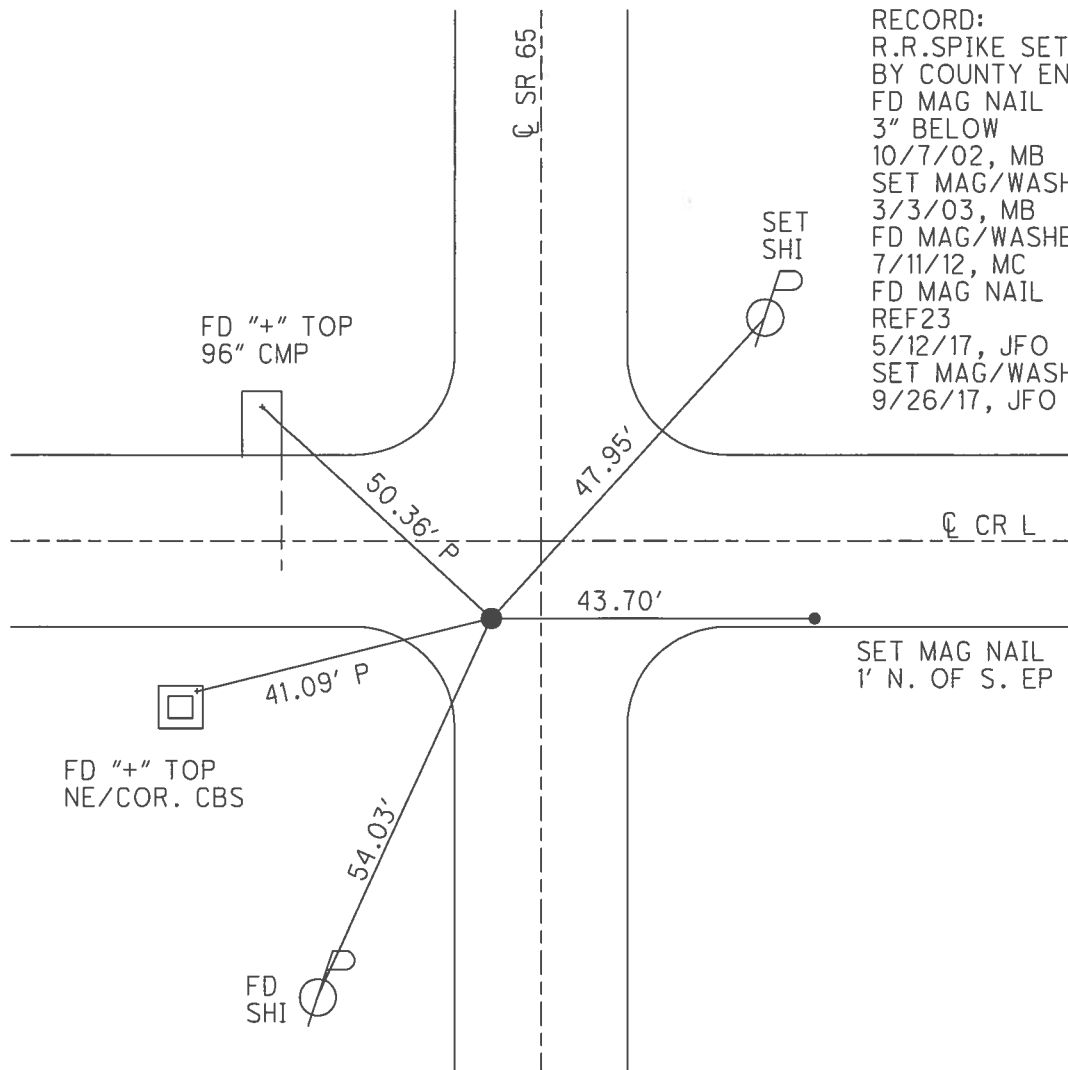
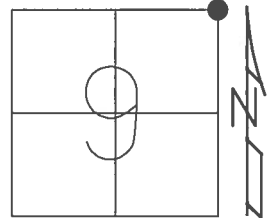
~~ON SURFACE~~ - BELOW ON _____

LEFT - ☉ PAV'T - ~~RIGHT~~ 5.0', 10' S. OF ☉ W.

_____ TO _____ EDGE PAVEMENT

S.L.M. 582+25

GRID: NORTHING: 608315.606 EASTING: 1572631.681

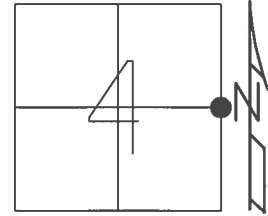


RECORD:
 R.R.SPIKE SET
 BY COUNTY ENGR.
 FD MAG NAIL
 3" BELOW
 10/7/02, MB
 SET MAG/WASHER
 3/3/03, MB
 FD MAG/WASHER
 7/11/12, MC
 FD MAG NAIL
 REF23
 5/12/17, JFO
 SET MAG/WASHER
 9/26/17, JFO

O.D.O.T. DISTRICT 2 SURVEY OFFICE (USE ONLY)

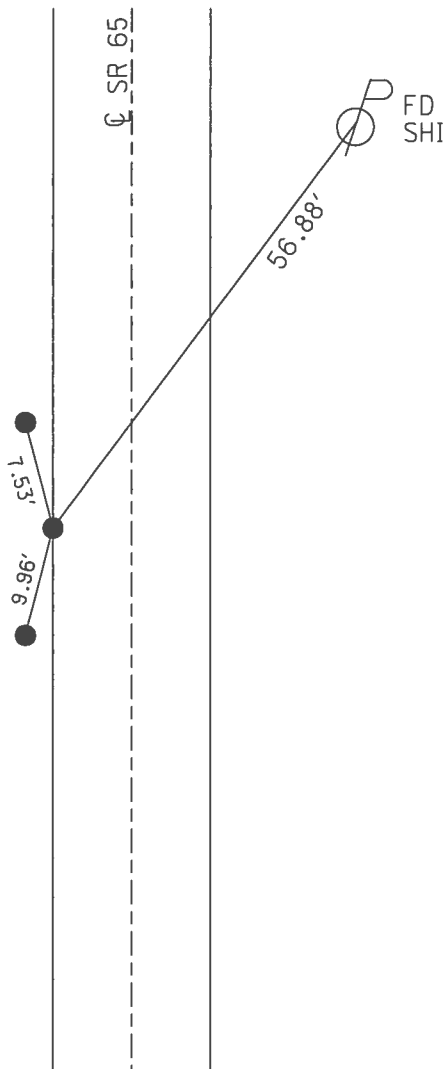
PERSONNEL	REFERENCE NO.	<u>24</u>	SHEET	<u>27</u>	OF	<u>42</u>
NOTES	<u>HUSS</u>	DATE	<u>7/11/12</u>	ROUTE	<u>SR 65</u>	
H.C.	<u>HUSS</u>	WEATHER	<u>CLEAR</u>	COUNTY	<u>HENRY</u>	
R.C.	<u>CANTERBURY</u>	TEMP.	<u>78°</u>	TOWNSHIP	<u>RICHFIELD</u>	
	<u>COUTCHER</u>			SECTION	<u>4</u>	
	<u>HARBAUGH</u>			T	<u>4</u>	R
					<u>N</u>	<u>8</u>
					<u>E</u>	

TYPE MONUMENT MAG/WASHER
~~ON SURFACE~~ - BELOW 5"
 LEFT - C PAV'T - ~~RIGHT~~ 9.7'
0' TO LT EDGE PAVEMENT
 S.L.M. 609+10
 GRID: NORTHING: 610999.538 EASTING: 1572642.933



RECORD:
 R.R.SPIKE SET
 BY COUNTY ENGR.
 10/7/02
 SET MAG/WASHER
 11/14/02, MB
 FD MAG/WASHER
 7/11/12, MC
 D.N.F. POINT
 5/12/17, JFO
 SET MAG/WASHER
 RECRE24
 9/26/17, JFO

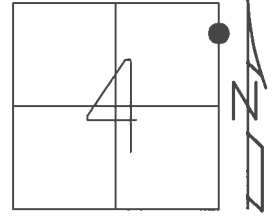
FD 5/8" IPINS
 ON DITCH BANK
 ±2' W.OF EB



O.D.O.T. DISTRICT 2 SURVEY OFFICE (USE ONLY)

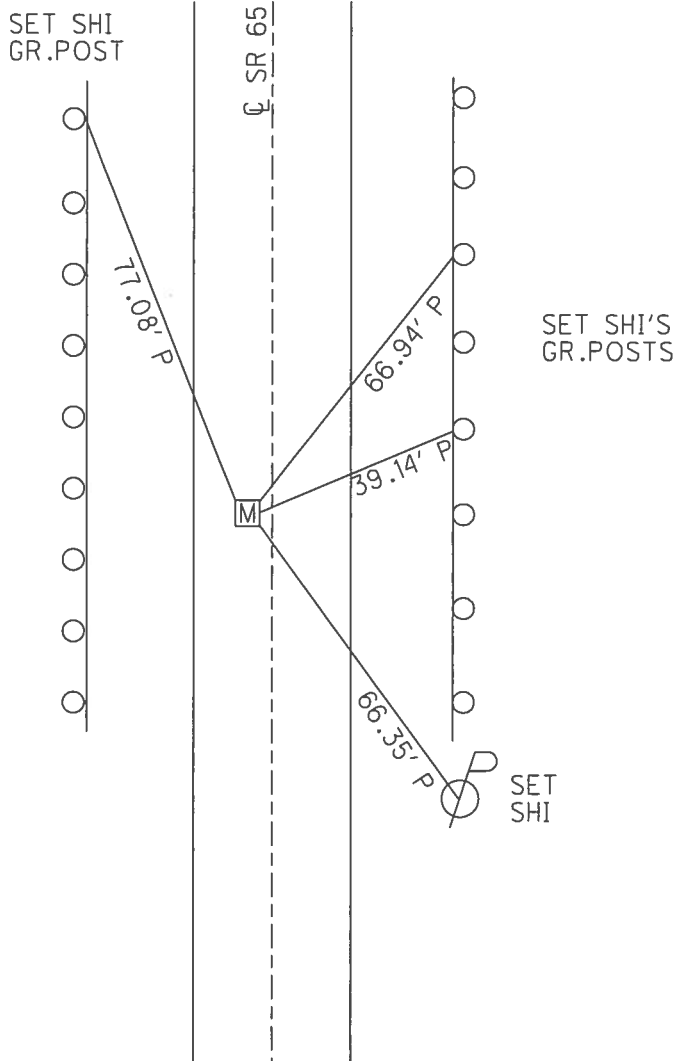
PERSONNEL _____ REFERENCE NO. 24 A SHEET 28 OF 42
 NOTES BARNHISEL DATE 10/7/02 ROUTE SR 65
 H.C. CANTERBURY WEATHER SUNNY COUNTY HENRY
 R.C. BARNHISEL TEMP. 59° TOWNSHIP RICHFIELD
 _____ SECTION 4
 _____ T 4 N R 8 E

TYPE MONUMENT MONBOX
 ON SURFACE - ~~BELOW~~ ON _____
 LEFT - ℄ PAV'T - ~~RIGHT~~ 2.3'
10.5' TO LT EDGE PAVEMENT
 S.L.M. 633+34



GRID: NORTHING: 613428.506 EASTING: 1572695.037

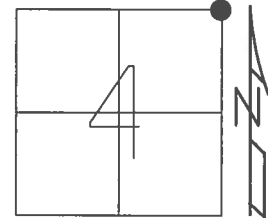
RECORD:
 FD MONBOX
 REFA24
 7/11/12, MC
 FD MONBOX
 5/12/17, JFO
 FD ASPHALT
 COVERED MONBOX
 9/26/17, JFO



O.D.O.T. DISTRICT 2 SURVEY OFFICE (USE ONLY)

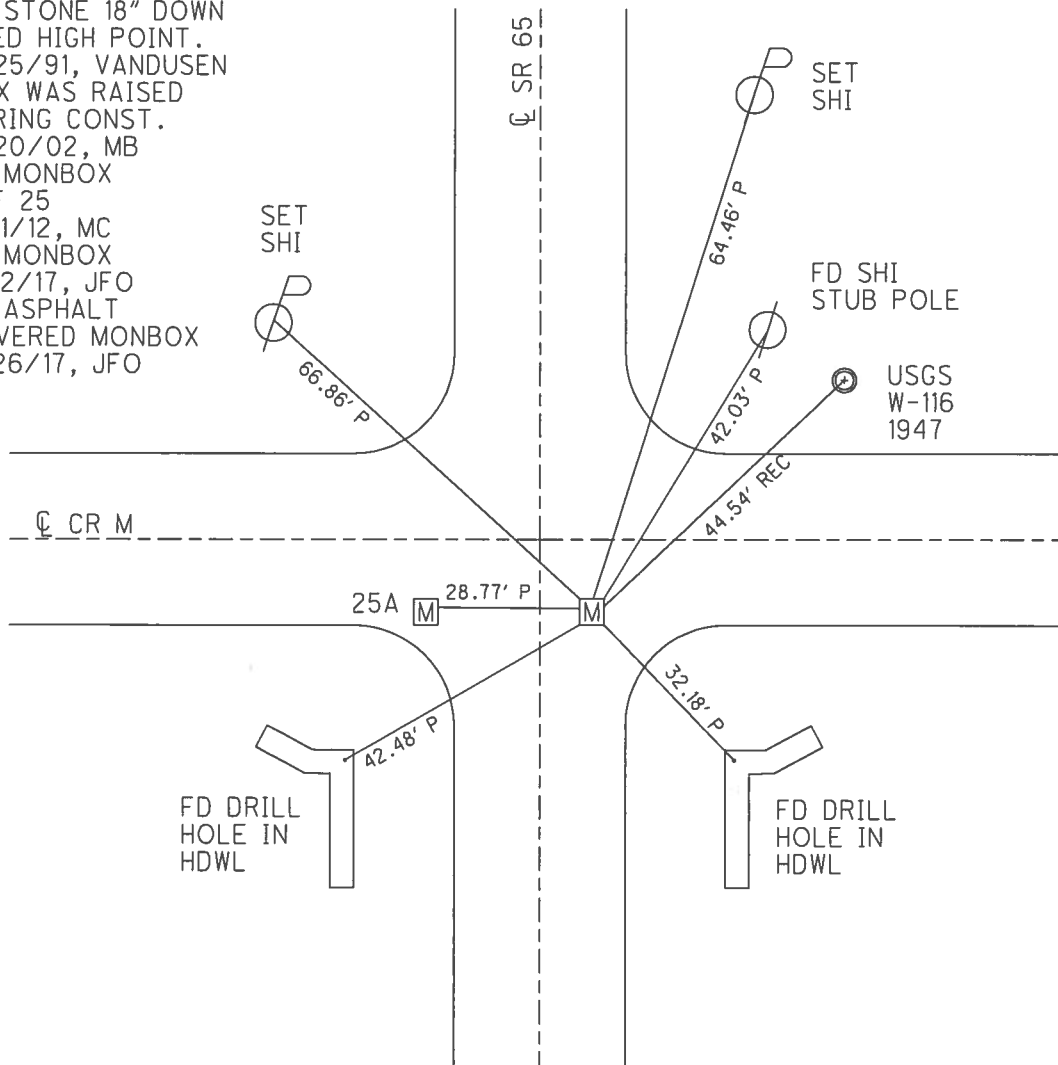
PERSONNEL	REFERENCE NO.	25	SHEET	29	OF	42
NOTES	BARNHISEL	DATE	10/7/02	ROUTE	SR 65	
H.C.	CANTERBURY	WEATHER	SUNNY	COUNTY	HENRY	
R.C.	BARNHISEL	TEMP.	59°	TOWNSHIP	RICHFIELD	
				SECTION	4	
				T	4	N
				R	8	E

TYPE MONUMENT MONBOX
 ON SURFACE - ~~BELOW~~ ON _____
~~LEFT~~ - CL PAV'T - RIGHT 7.5'
5' TO RT EDGE PAVEMENT
 S.L.M. 636+41



GRID: NORTHING: 613728.314 EASTING: 1572722.416

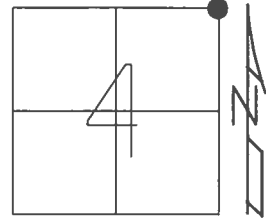
RECORD:
 FD STONE 18" DOWN
 USED HIGH POINT.
 11/25/91, VANDUSEN
 BOX WAS RAISED
 DURING CONST.
 11/20/02, MB
 FD MONBOX
 REF 25
 7/11/12, MC
 FD MONBOX
 5/12/17, JFO
 FD ASPHALT
 COVERED MONBOX
 9/26/17, JFO



O.D.O.T. DISTRICT 2 SURVEY OFFICE (USE ONLY)

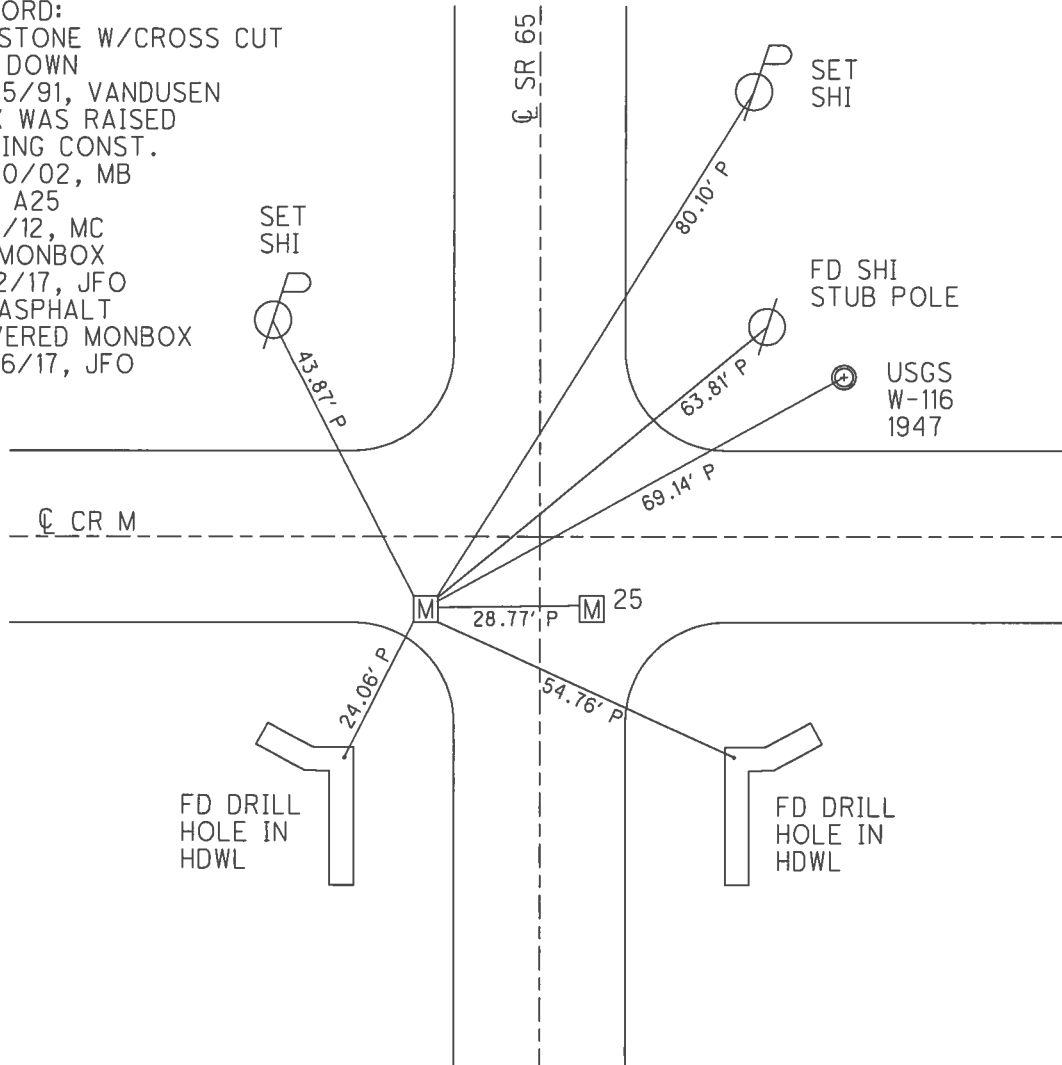
PERSONNEL _____ REFERENCE NO. 25 A SHEET 30 OF 42
 NOTES BARNHISEL DATE 10/7/02 ROUTE SR 65
 H.C. CANTERBURY WEATHER SUNNY COUNTY HENRY
 R.C. BARNHISEL TEMP. 59° TOWNSHIP RICHFIELD
 _____ SECTION 4
 _____ T 4 N R 8 E

TYPE MONUMENT MONBOX
 ON SURFACE - ~~BELOW~~ ON _____
 LEFT - ☉ PAV'T - ~~RIGHT~~ 21.9'
10.2' W TO LT EDGE PAVEMENT
 S.L.M. 636+41



GRID: NORTHING: 613728.643 EASTING: 1572693.613

RECORD:
 FD STONE W/CROSS CUT
 24" DOWN
 11/25/91, VANDUSEN
 BOX WAS RAISED
 DURING CONST.
 11/20/02, MB
 REF A25
 7/11/12, MC
 FD MONBOX
 5/12/17, JFO
 FD ASPHALT
 COVERED MONBOX
 9/26/17, JFO

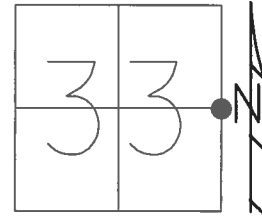


O.D.O.T. DISTRICT 2 SURVEY OFFICE (USE ONLY)

PERSONNEL _____ REFERENCE NO. 26 SHEET 31 OF 42

NOTES RHOADES DATE 5/9/17 ROUTE SR 65
 H.C. O'DONNELL WEATHER SUNNY COUNTY HENRY
 R.C. RHOADES TEMP. 47° TOWNSHIP DAMASCUS
 _____ SECTION 33
 _____ T 5 N R 8 E

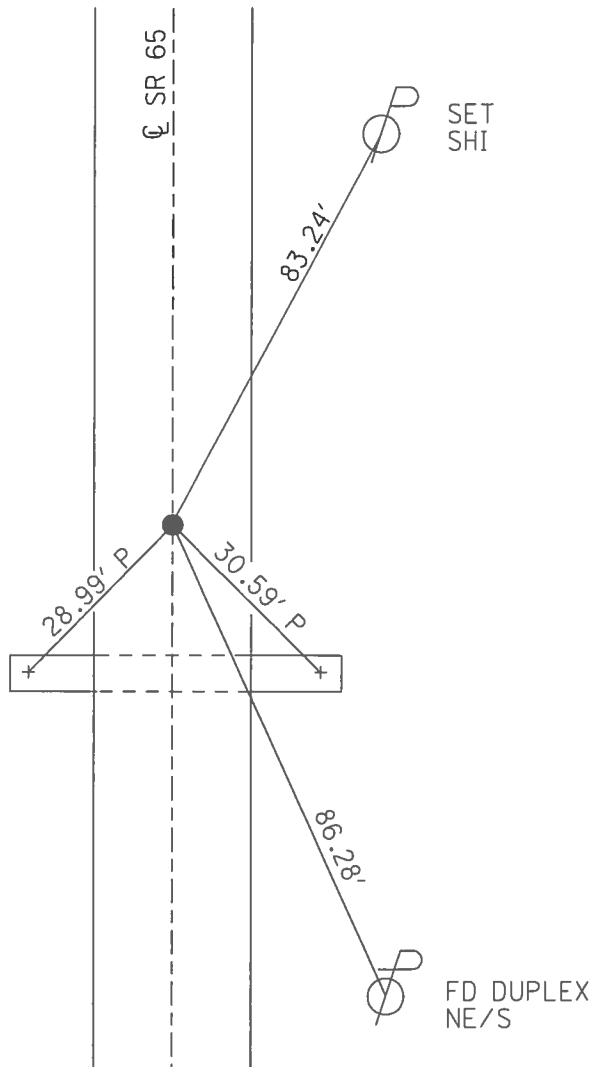
TYPE MONUMENT MAG/WASHER
 ON SURFACE - ~~BELOW~~ ON
 LEFT - ☉ PAV'T - RIGHT ON
10.3' TO RT EDGE PAVEMENT
 S.L.M. 663+04



GRID: NORTHING: 616391.300 EASTING: 1572774.504

RECORD:
 FD MAG/WASHER
 10/7/02, DCH
 FD MAG/WASHER
 7/11/12, MC
 POINT CHIPPED OUT
 3/15/13, MC
 FD MAG/WASHER
 REF26
 5/12/17, JFO
 SET MAG/WASHER
 9/26/17, JFO

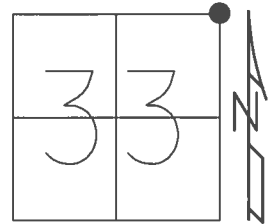
FD "+" CUT ON BOTH
 ENDS OF 84" CONC. PIPE



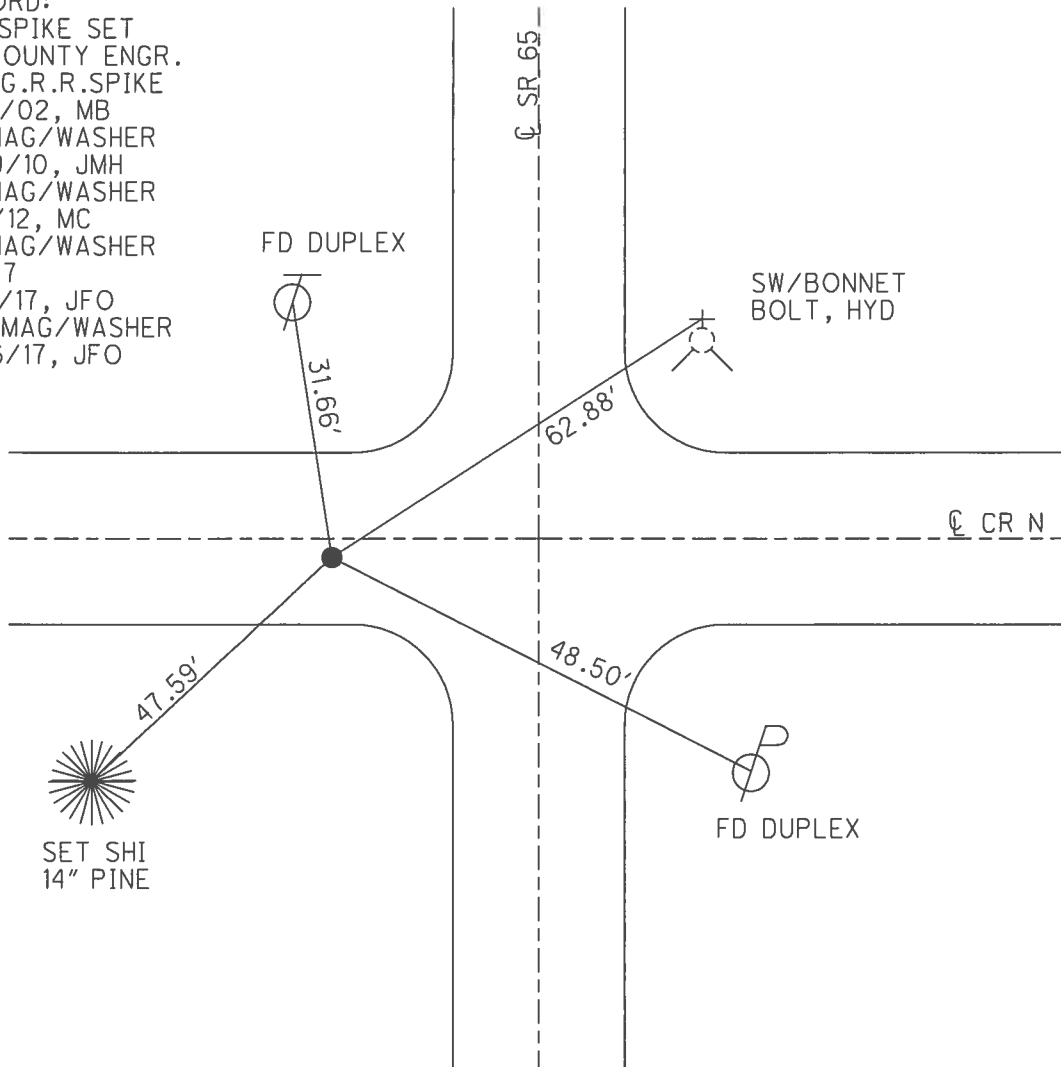
O.D.O.T. DISTRICT 2 SURVEY OFFICE (USE ONLY)

PERSONNEL _____ REFERENCE NO. 27 SHEET 32 OF 42
 NOTES RHOADES DATE 5/9/17 ROUTE SR 65
 H.C. O'DONNELL WEATHER SUNNY COUNTY HENRY
 R.C. RHOADES TEMP. 47° TOWNSHIP DAMASCUS
 SECTION 33
 T 5 N R 8 E

TYPE MONUMENT _____ MAG/WASHER _____
 ON SURFACE - ~~BELOW~~ _____ ON _____
 LEFT - ☉ PAV'T - ~~RIGHT~~ 19.1', 9.8' N. OF S. EP CR N
9.2' LT OF LT EDGE PAVEMENT
 S.L.M. 689+56.8
 GRID: NORTHING: 619039.800 EASTING: 1572804.487



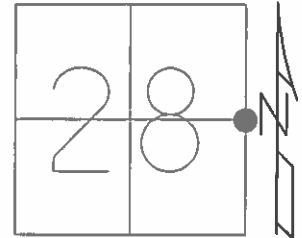
RECORD:
 R.R.SPIKE SET
 BY COUNTY ENGR.
 FD LG.R.R.SPIKE
 10/7/02, MB
 FD MAG/WASHER
 9/29/10, JMH
 FD MAG/WASHER
 5/6/12, MC
 FD MAG/WASHER
 REF27
 5/12/17, JFO
 SET MAG/WASHER
 9/26/17, JFO



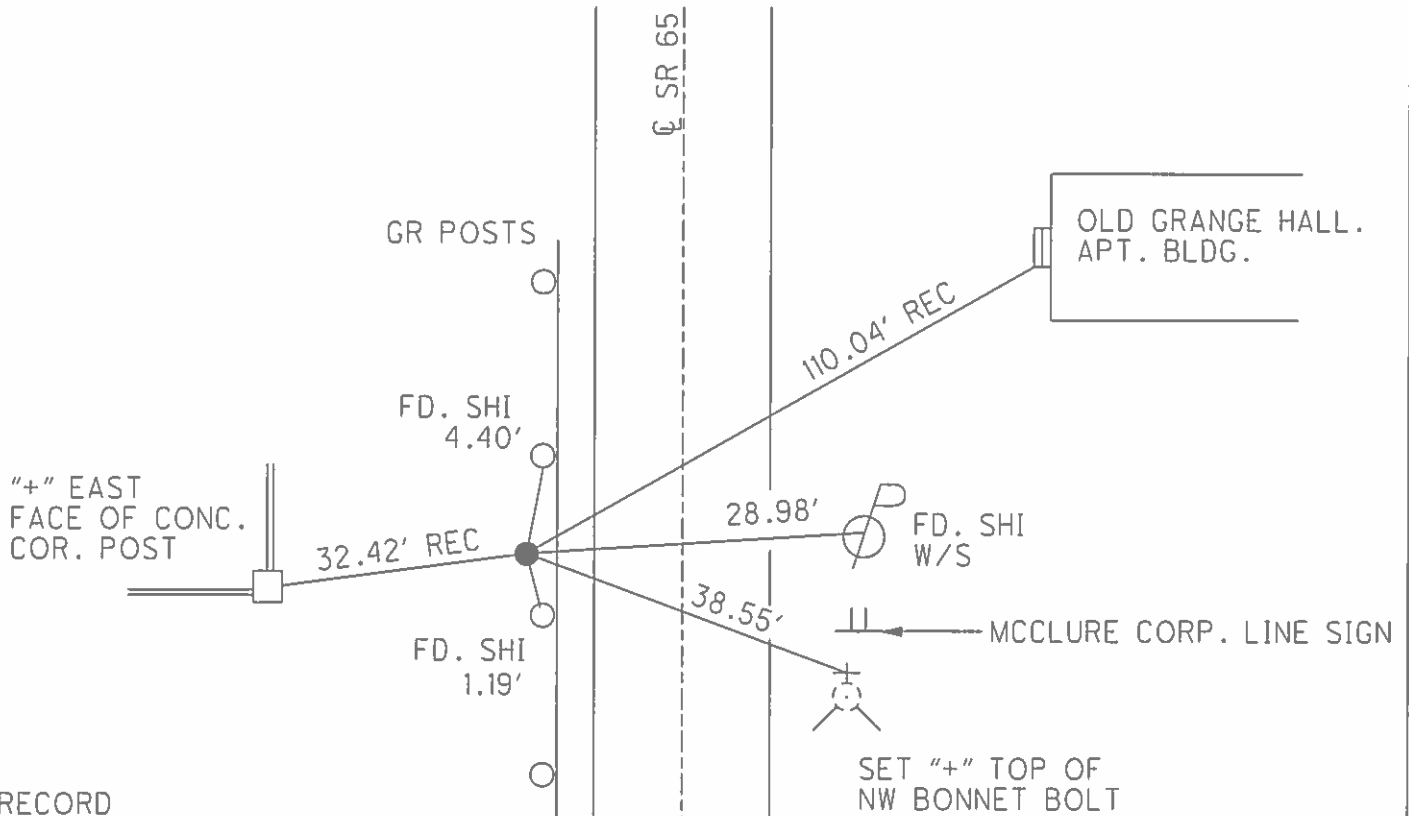
O.D.O.T. DISTRICT 2 SURVEY OFFICE (USE ONLY)

PERSONNEL	REFERENCE NO. <u>28</u>	SHEET <u>33</u> OF <u>42</u>
NOTES <u>HUSS</u>	DATE <u>06-06-12</u>	ROUTE <u>SR 65</u>
H.C. <u>HUSS</u>	WEATHER <u>SUNNY</u>	COUNTY <u>HENRY</u>
R.C. <u>CANTERBURY</u>	TEMP. <u>+68° F</u>	TOWNSHIP <u>DAMASCUS</u>
		SECTION <u>28</u>
		T <u>5</u> N R <u>8</u> E

TYPE MONUMENT IPIPE
 ON SURFACE - ~~BELOW~~ ON
 LEFT - Q PAV'T - ~~RIGHT~~ 13.8'
3.2' LT OF LT EDGE PAVEMENT
 S.L.M. 716+17.51



Grid: Northing: 621699.950 Easting: 1572865.126



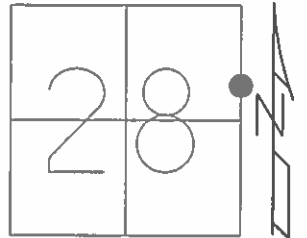
RECORD

- 06-22-95 BVD
FD. IRON PIPE AT SURFACE
- 10-01-96 BVD
FD IRON PIPE AT SURFACE
- 09-29-10 JHM
FD. IRON PIPE
- 03-15-13 MC
POINT NOT COVERED
GPS, FIN 28 (IN JOB HEN 65 1352)

O.D.O.T. DISTRICT 2 SURVEY OFFICE (USE ONLY)

PERSONNEL _____ REFERENCE NO. 28 A SHEET 34 OF 42
 NOTES HUSS DATE 06-06-12 ROUTE SR 65
 H.C. HUSS WEATHER SUNNY/CLEAR COUNTY HENRY
 R.C. MC TEMP. +70° F TOWNSHIP DAMASCUS
 _____ SECTION 28
 _____ T 5 N R 8 E

TYPE MONUMENT PK/W
 ON SURFACE - ~~BELOW~~ SURFACE
 LEFT - Q PAV'T - ~~RIGHT~~ 4.4'
6.3' TO LT EDGE PAVEMENT
 S.L.M. 732+47.58



Grid: Northing: 623329.904 Easting: 1572887.077

RECORD

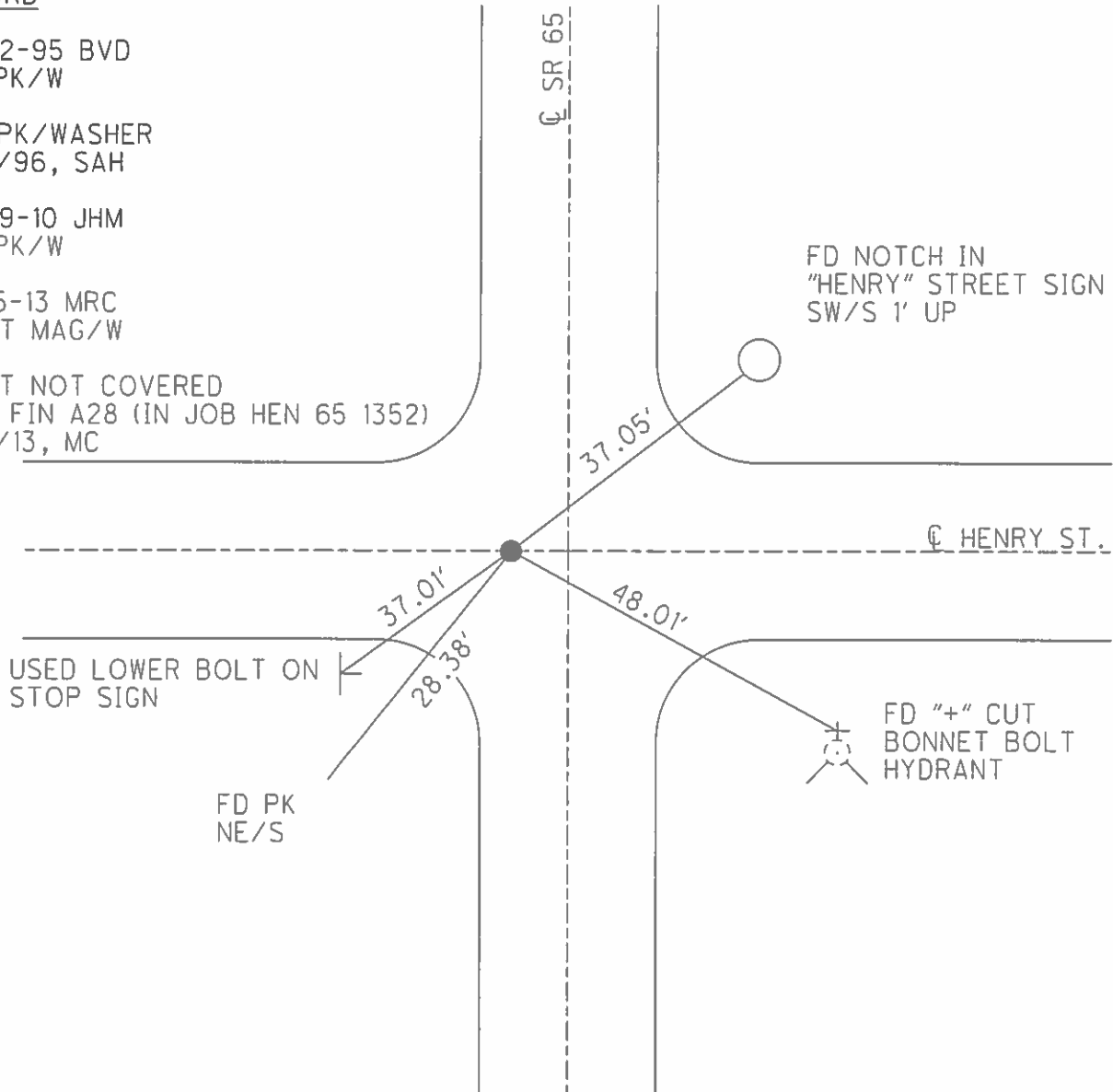
06-22-95 BVD
 FD. PK/W

SET PK/WASHER
 10/8/96, SAH

09-29-10 JHM
 FD. PK/W

03-15-13 MRC
 RESET MAG/W

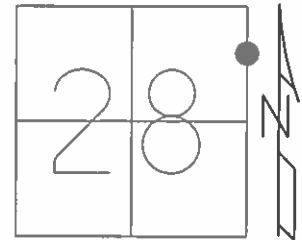
POINT NOT COVERED
 GPS, FIN A28 (IN JOB HEN 65 1352)
 3/15/13, MC



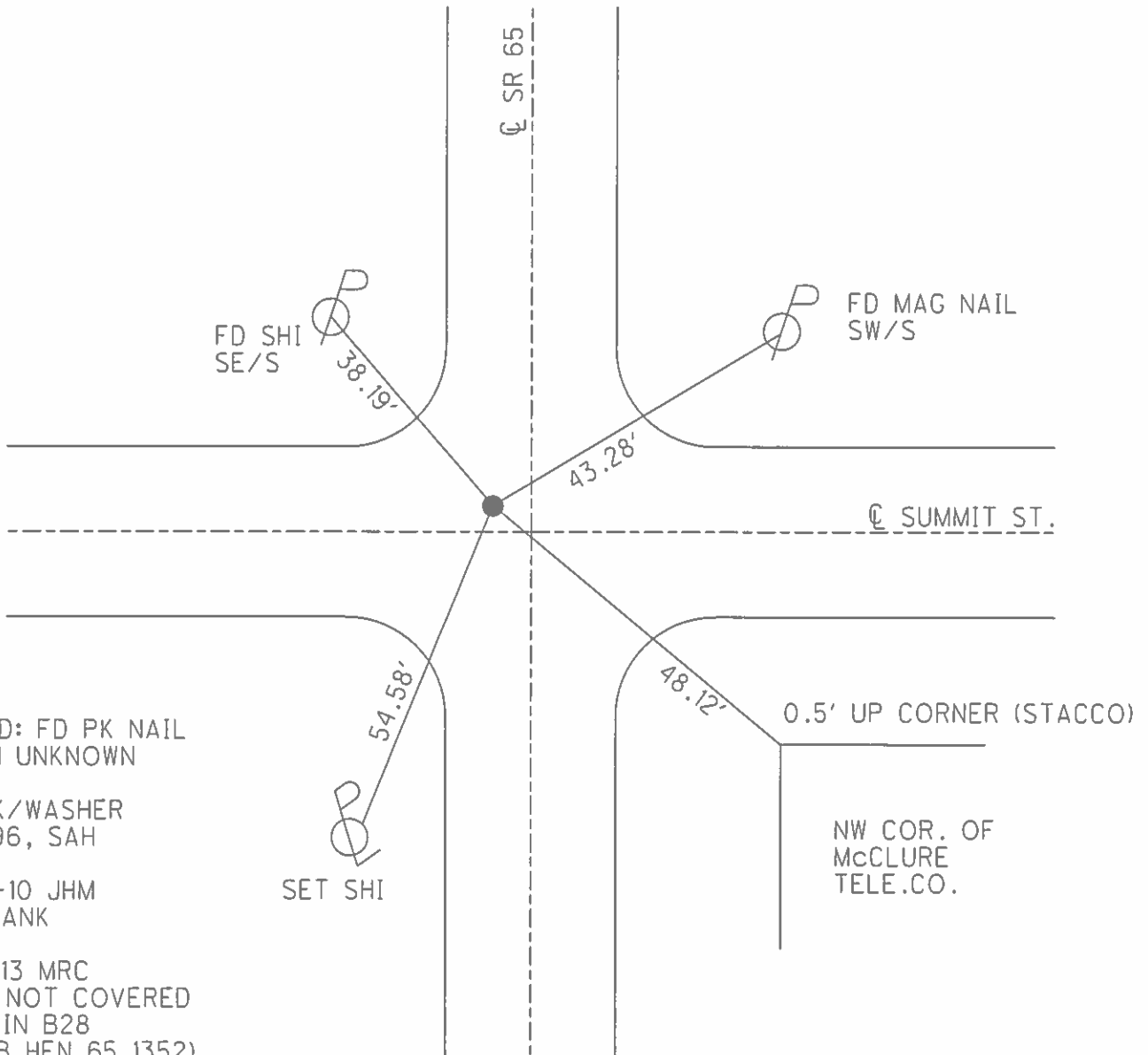
O.D.O.T. DISTRICT 2 SURVEY OFFICE (USE ONLY)

PERSONNEL _____ REFERENCE NO. 28 B SHEET 35 OF 42
 NOTES HUSS DATE 6/22/95 ROUTE SR 65
 H.C. HUSS WEATHER CLEAR COUNTY HENRY
 R.C. CANTERBURY TEMP. +74° F TOWNSHIP DAMASCUS
 _____ SECTION 28
 _____ T 5 N R 8 E

TYPE MONUMENT _____ PK NAIL SHANK
 ON SURFACE - ~~BELOW~~ _____ ON _____
 LEFT - Q PAV'T - ~~RIGHT~~ _____ 3.9'
19.0' TO LT EDGE PAVEMENT
 S.L.M. _____ 735+88.31



Grid: Northing: 623670.581 Easting: 1572891.488



RECORD: FD PK NAIL
 ORIGIN UNKNOWN

SET PK/WASHER
 10/8/96, SAH

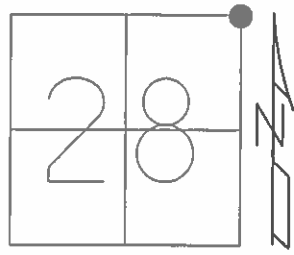
09-29-10 JHM
 FD. SHANK

03-15-13 MRC
 POINT NOT COVERED
 GPS, FIN B28
 (IN JOB HEN 65 1352)

O.D.O.T. DISTRICT 2 SURVEY OFFICE (USE ONLY)

PERSONNEL _____ REFERENCE NO. 28 C SHEET 36 OF 42
 NOTES HUSS DATE 06-06-12 ROUTE SR 65
 H.C. HUSS WEATHER SUNNY COUNTY HENRY
 R.C. CANTERBURY TEMP. +74° F TOWNSHIP DAMASCUS
 _____ SECTION 28
 _____ T 5 N R 8 E

TYPE MONUMENT MAG NAIL & WASHER
 ON SURFACE - ~~BELOW~~ ON _____
~~LEFT~~ - Q PAV'T - ~~RIGHT~~ 2.6'
 _____ TO _____ EDGE PAVEMENT
 S.L.M. 742+69.17

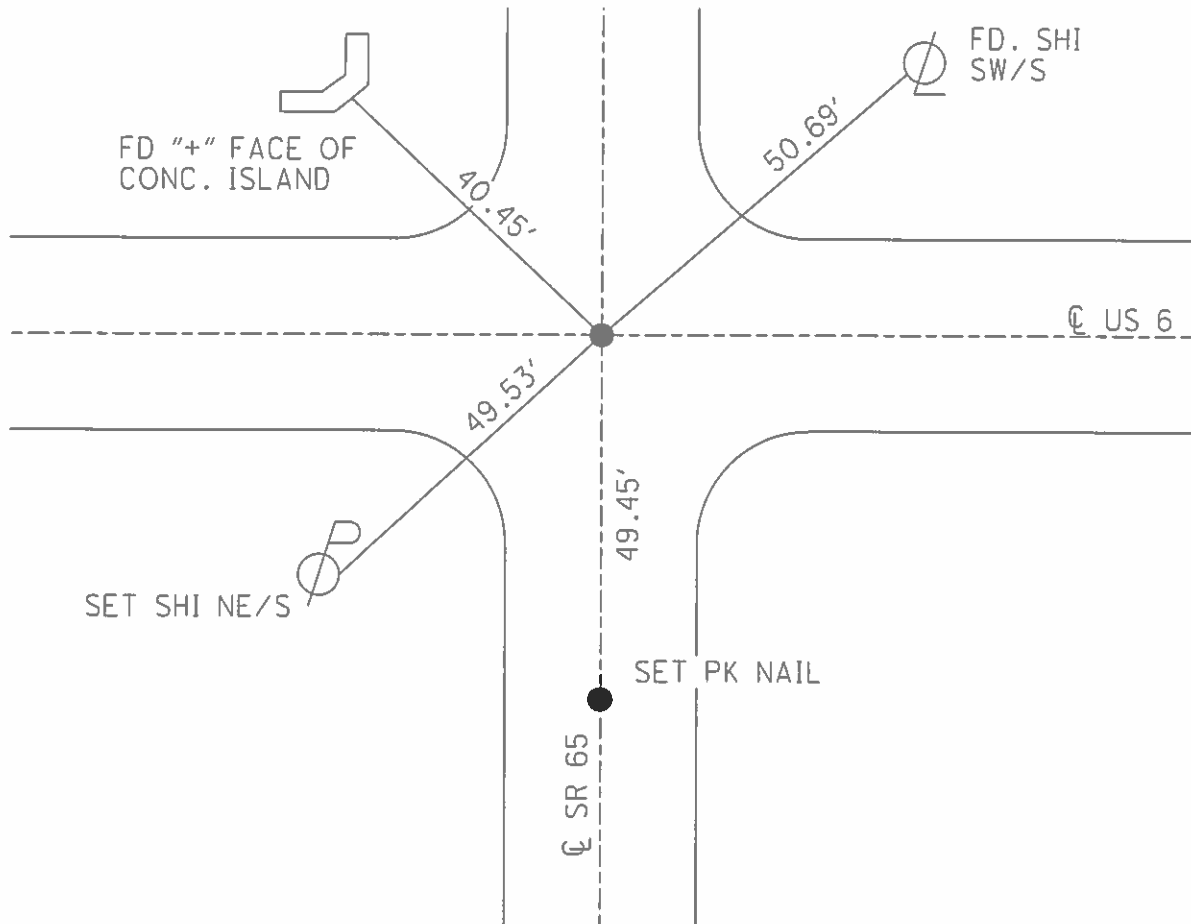


Grid: Northing: 624351.412 Easting: 1572900.522

RECORD

02-19-52 FD. IRON PIN	05-10-72 FD. BRASS MON.	06-20-88 SWH SET SM. RRSPK	04-21-03 DCH SET MAG/W
06-09-54 FD. IRON PIN	02-01-84 SWH FD. BRASS MON. W/"+" ON TOP	10-10-96 BVD FD. SM. RR SPIKE AT SURFACE.	09-29-10 JHM FD. MAG/W
08-20-54 SET MOBARA (BRASS) MON.	04-08-88 SWH FD. RRSPK	07-18-02 DCH FD. SM. RRSPK	03-15-13 MC POINT NOT COVERED GPS, FIN C28 (IN JOB HEN 65 1352)

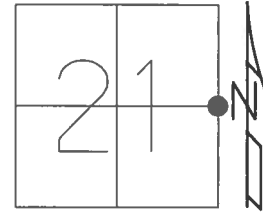
NOTE: REF #54 ON SR 6



O.D.O.T. DISTRICT 2 SURVEY OFFICE (USE ONLY)

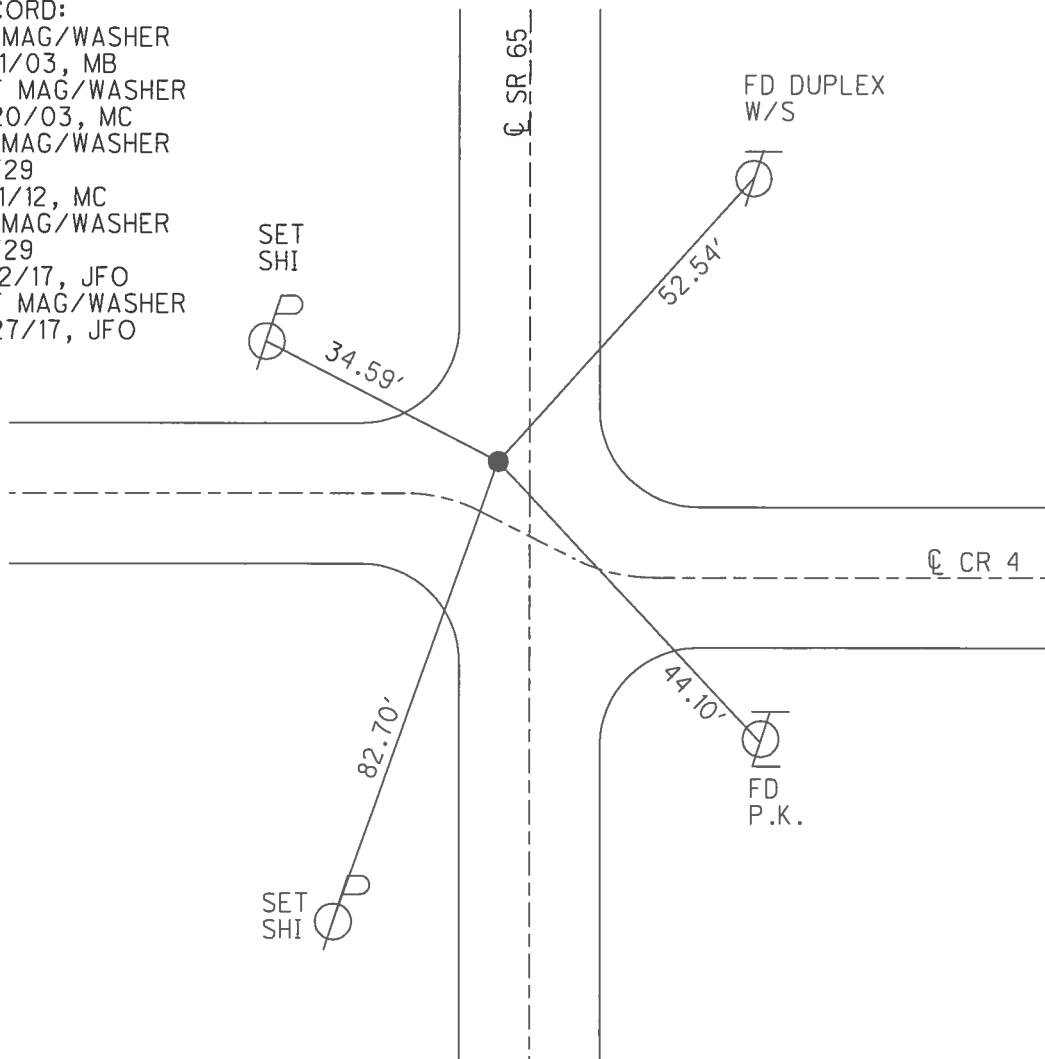
PERSONNEL _____ REFERENCE NO. 29 SHEET 37 OF 42
 NOTES RHOADES DATE 5/9/17 ROUTE SR 65
 H.C. O'DONNELL WEATHER SUNNY COUNTY HENRY
 R.C. RHOADES TEMP. 58° TOWNSHIP DAMASCUS
 SECTION 21
 T 5 N R 8 E

TYPE MONUMENT MAG/WASHER
 ON SURFACE - ~~BELOW~~ ON _____
 LEFT - ☉ PAV'T - ~~RIGHT~~ 3.5', 3.5' N. OF ☉ W.
5.5' TO LT EDGE PAVEMENT
 S.L.M. 769+38



GRID: NORTHING: 627010.487 EASTING: 1572942.164

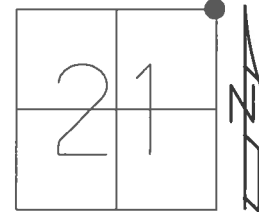
RECORD:
 FD MAG/WASHER
 4/11/03, MB
 SET MAG/WASHER
 5/20/03, MC
 FD MAG/WASHER
 REF 29
 7/11/12, MC
 FD MAG/WASHER
 REF 29
 5/12/17, JFO
 SET MAG/WASHER
 9/27/17, JFO



O.D.O.T. DISTRICT 2 SURVEY OFFICE (USE ONLY)

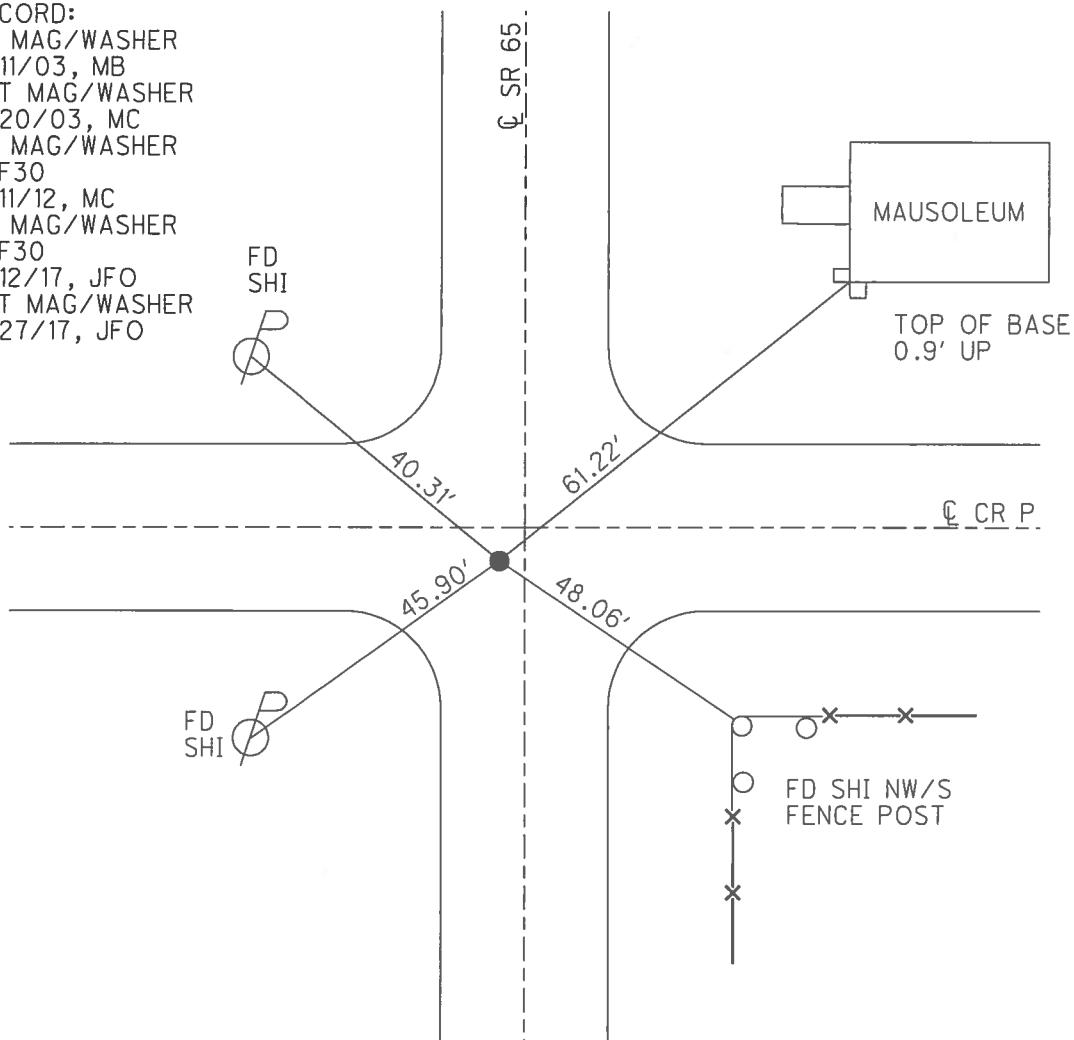
PERSONNEL _____ REFERENCE NO. 30 SHEET 38 OF 42
 NOTES RHOADES DATE 5/9/17 ROUTE SR 65
 H.C. O'DONNELL WEATHER SUNNY COUNTY HENRY
 R.C. RHOADES TEMP. 58° TOWNSHIP DAMASCUS
 _____ SECTION 21
 _____ T 5 N R 8 E

TYPE MONUMENT MAG/WASHER
 ON SURFACE - ~~BELOW~~ ON _____
 LEFT - ☉ PAV'T - ~~RIGHT~~ 1.6', 3.5' S. OF ☉ W.
 _____ TO _____ EDGE PAVEMENT
 S.L.M. 795+98



GRID: NORTHING: 629669.019 EASTING: 1572981.606

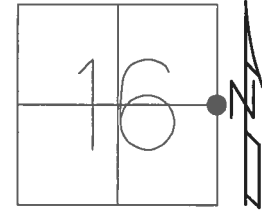
RECORD:
 FD MAG/WASHER
 4/11/03, MB
 SET MAG/WASHER
 5/20/03, MC
 FD MAG/WASHER
 REF30
 7/11/12, MC
 FD MAG/WASHER
 REF30
 5/12/17, JFO
 SET MAG/WASHER
 9/27/17, JFO



O.D.O.T. DISTRICT 2 SURVEY OFFICE (USE ONLY)

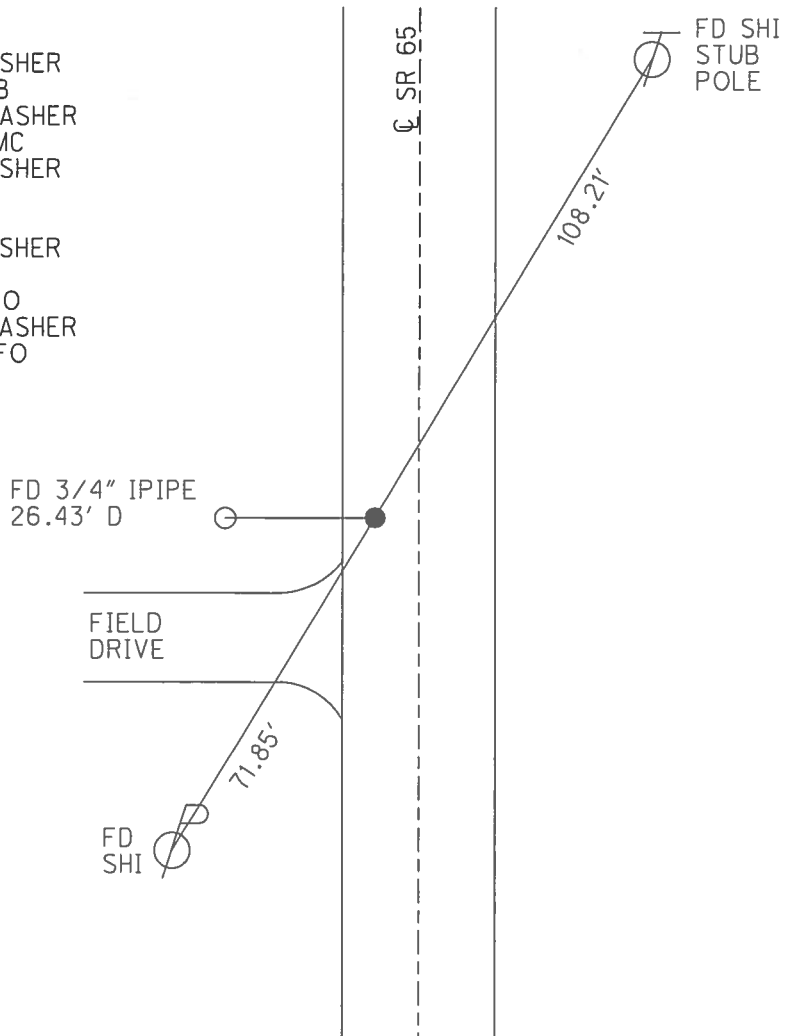
PERSONNEL _____ REFERENCE NO. 31 SHEET 39 OF 42
 NOTES RHOADES DATE 5/9/17 ROUTE SR 65
 H.C. O'DONNELL WEATHER SUNNY COUNTY HENRY
 R.C. RHOADES TEMP. 58° TOWNSHIP DAMASCUS
 SECTION 16
 T 5 N R 8 E

TYPE MONUMENT MAG/WASHER
 ON SURFACE - ~~BELOW~~ ON _____
 LEFT - ℄ PAV'T - ~~RIGHT~~ 5.2'
4.1' TO LT EDGE PAVEMENT
 S.L.M. 822+55



GRID: NORTHING: 632324.070 EASTING: 1573017.499

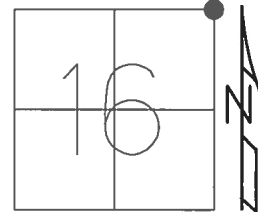
RECORD:
 FD MAG/WASHER
 4/11/03, MB
 SET MAG/WASHER
 5/20/03, MC
 FD MAG/WASHER
 REF31
 7/11/12, MC
 FD MAG/WASHER
 REF31
 5/12/17, JFO
 SET MAG/WASHER
 9/27/17, JFO



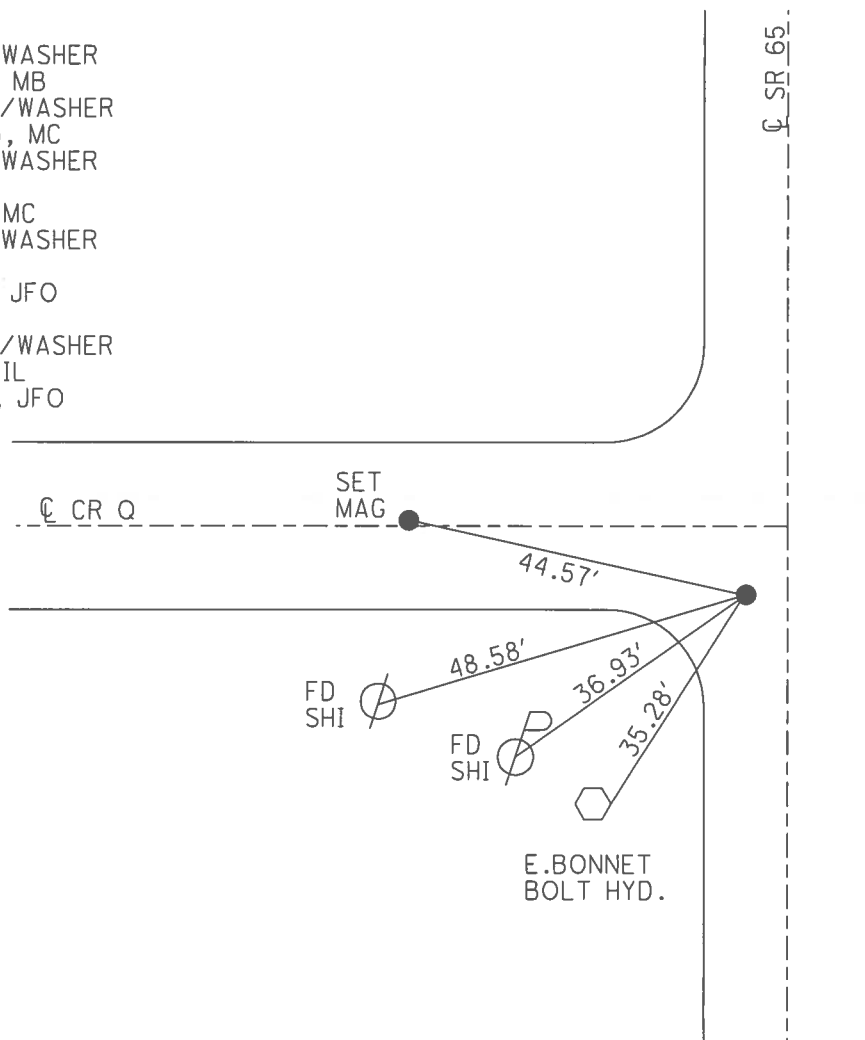
O.D.O.T. DISTRICT 2 SURVEY OFFICE (USE ONLY)

PERSONNEL	REFERENCE NO.	<u>32</u>	SHEET	<u>40</u> OF <u>42</u>	
NOTES	<u>RHOADES</u>	DATE	<u>5/9/17</u>	ROUTE	<u>SR 65</u>
H.C.	<u>O'DONNELL</u>	WEATHER	<u>SUNNY</u>	COUNTY	<u>HENRY</u>
R.C.	<u>RHOADES</u>	TEMP.	<u>58°</u>	TOWNSHIP	<u>DAMASCUS</u>
				SECTION	<u>16</u>
					<u>T 5 N R 8 E</u>

TYPE MONUMENT MAG/WASHER
 ON SURFACE - ~~BELOW~~ ON
 LEFT - ☉ PAV'T - ~~RIGHT~~ 3.2', 4.0' S. OF ☉ W.
12.4' TO RT EDGE PAVEMENT
 S.L.M. 849+13
 GRID: NORTHING: 634982.903 EASTING: 1573046.046



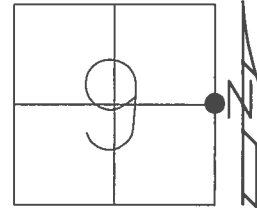
RECORD:
 FD MAG/WASHER
 4/11/03, MB
 SET MAG/WASHER
 5/20/03, MC
 FD MAG/WASHER
 REF32
 7/11/12, MC
 FD MAG/WASHER
 REF32
 5/12/17, JFO
 FD NAIL
 SET MAG/WASHER
 ATOP NAIL
 9/27/17, JFO



O.D.O.T. DISTRICT 2 SURVEY OFFICE (USE ONLY)

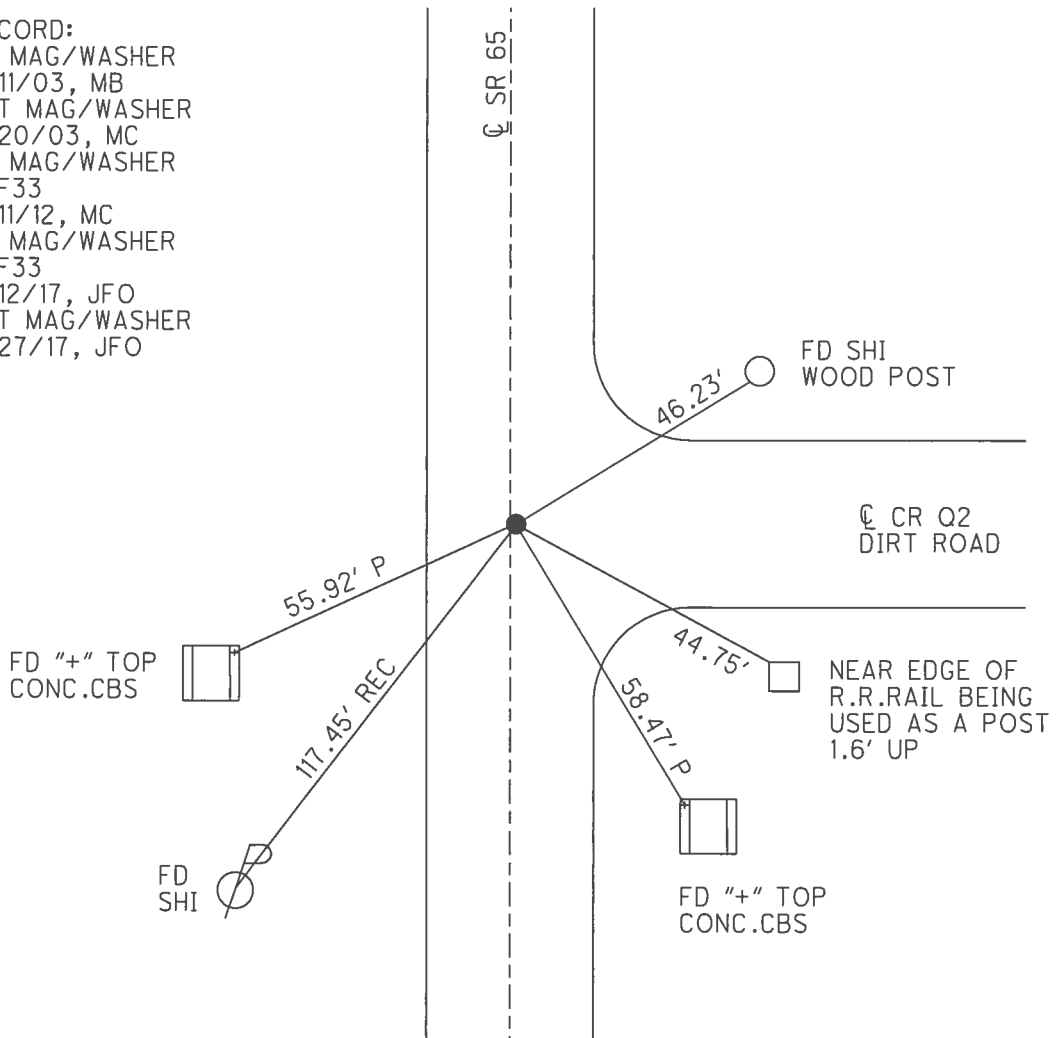
PERSONNEL	REFERENCE NO.	33	SHEET	41	OF	42
NOTES	RHOADES	DATE	5/9/17	ROUTE	SR 65	
H.C.	O'DONNELL	WEATHER	SUNNY	COUNTY	HENRY	
R.C.	RHOADES	TEMP.	58°	TOWNSHIP	DAMASCUS	
				SECTION	9	
				T	5	N
				R	8	E

TYPE MONUMENT MAG/WASHER
 ON SURFACE - ~~BELOW~~ ON _____
~~LEFT~~ - ℄ PAV'T - RIGHT 0.5'
8.7' TO RT. EDGE PAVEMENT
 S.L.M. 875+71



GRID: NORTHING: 637636.424 EASTING: 1573090.276

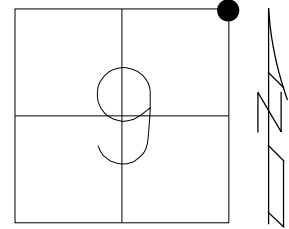
RECORD:
 FD MAG/WASHER
 4/11/03, MB
 SET MAG/WASHER
 5/20/03, MC
 FD MAG/WASHER
 REF33
 7/11/12, MC
 FD MAG/WASHER
 REF33
 5/12/17, JFO
 SET MAG/WASHER
 9/27/17, JFO



O.D.O.T. DISTRICT 2 SURVEY OFFICE (USE ONLY)

PERSONNEL _____ REFERENCE NO. 34 SHEET 1 OF 24
 NOTES MILLER DATE 12/19/23 ROUTE SR 65
 H.C. AUBLE WEATHER CLEAR COUNTY HENRY
 R.C. RHOADES TEMP. 27° TOWNSHIP DAMASCUS
ASTON SECTION 9
 DWG BY RHOADES PID 114846 T 5 N R 8 E

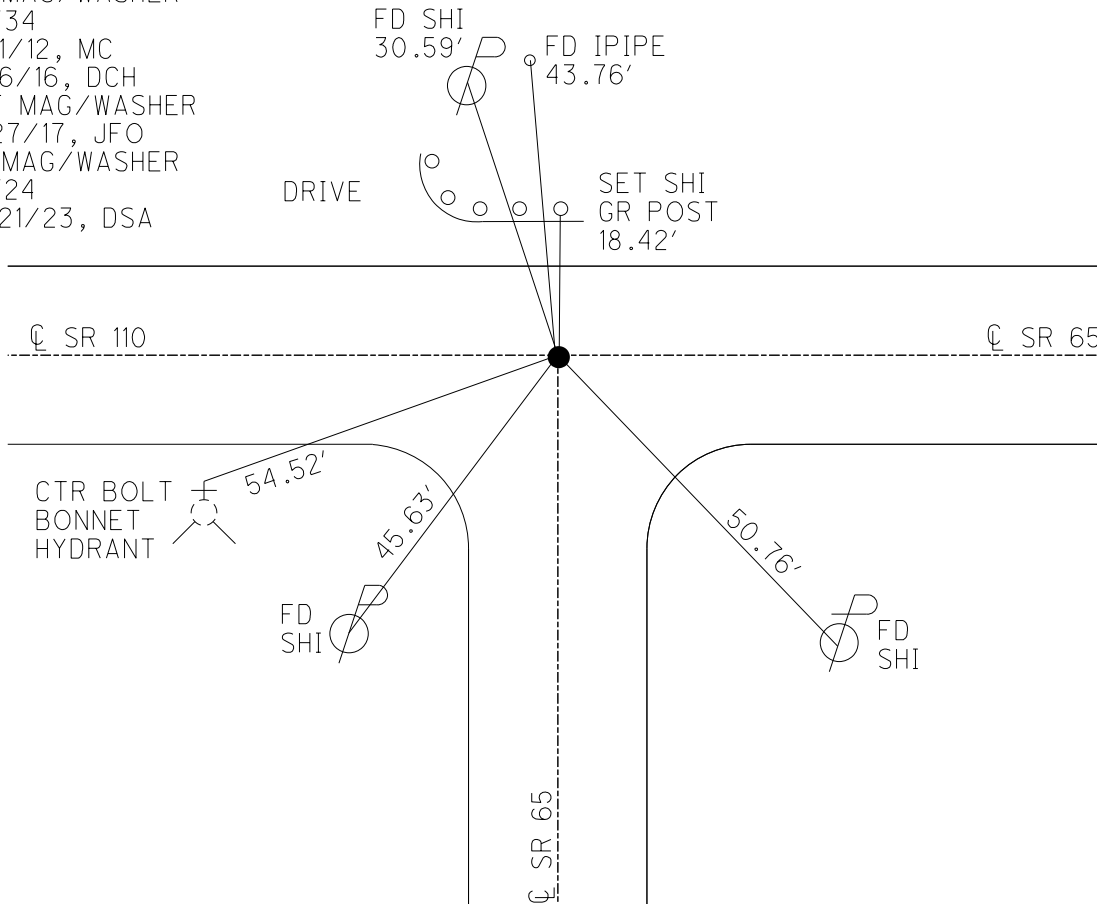
TYPE MONUMENT ON
 ON SURFACE - ~~BELOW~~ ON
 OFFSET CL PAVEMENT 1.1' LT : ~~RT~~
9.8' TO LT EDGE PAVEMENT
 STATION: 902+35.20



HORZ. DATUM: NAD83 2011 GEOID: NAVD88 2018
 GRID: NORTHING: 640241.079 EASTING: 1573133.732

RECORD:
 FD MAG/WASHER
 4/11/03, MB
 SET MAG/WASHER
 5/19/03, MC
 FD MAG/WASHER
 REF34
 7/11/12, MC
 2/16/16, DCH
 SET MAG/WASHER
 9/27/17, JFO
 FD MAG/WASHER
 REF24
 12/21/23, DSA

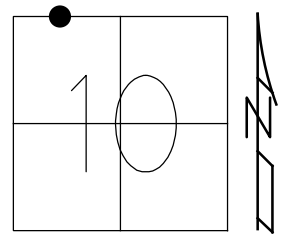
NOTE: REF23 SR 110



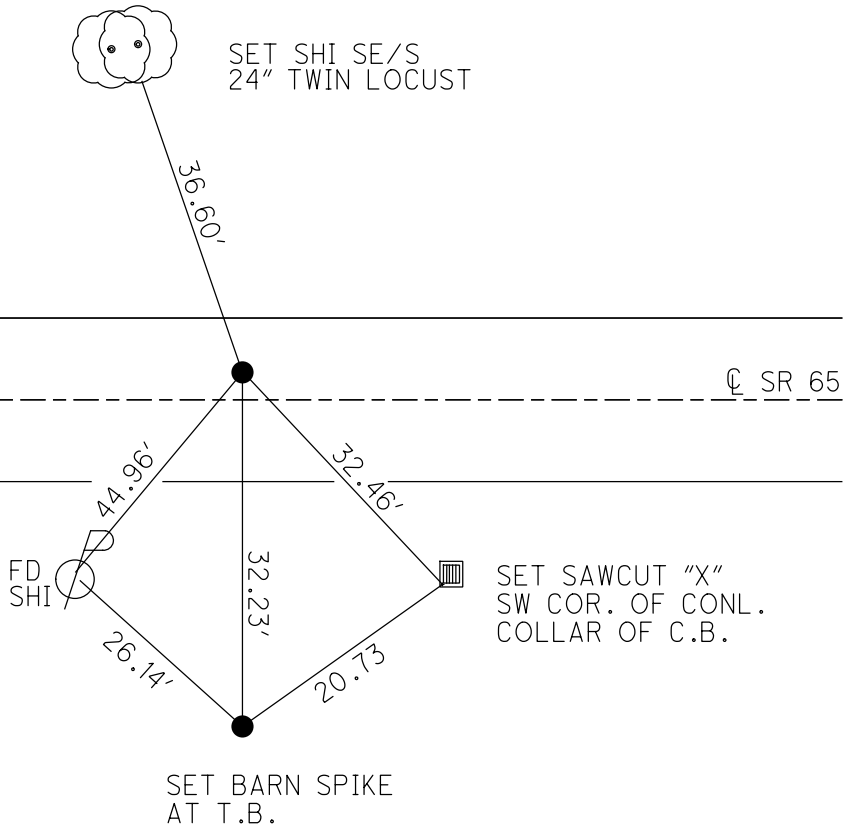
O.D.O.T. DISTRICT 2 SURVEY OFFICE (USE ONLY)

PERSONNEL _____ REFERENCE NO. 34 A SHEET 2 OF 24
 NOTES HELDMAN DATE 4-26-2017 ROUTE SR 65
 H.C. LEU WEATHER SUNNY/WINDY COUNTY HENRY
 R.C. HELDMAN TEMP. 81° TOWNSHIP DAMASCUS
 _____ SECTION 10
 _____ T 5 N R 8 E

TYPE MONUMENT MAG/WASHER
 ON SURFACE - ~~BELOW~~ ON
 LEFT - ☉ PAV'T - ~~RIGHT~~ 2.9'
6.9' TO LT EDGE PAVEMENT
 S.L.M. 922+59.67
 Grid: Northing: 640270.202 Easting: 1575158.012



RECORD: P.I.
 DATA FROM 1924 PLAN
 STA. 20+50
 $\Delta = 4^{\circ}-53'-00''$
 $D = 0^{\circ}-45'-00''$
 $T = 328.48'$
 $R = 7705.62$
 $L = 656.75'$
 $E = 7.0'$
 $P.I. = 4^{\circ}53' RT$
 MEAS. 1974
 FD P.K./WASHER
 4/14/03, MB
 SET MAG/WASHER
 05/19/03, MC
 FD MAG/WASHER
 REFA34
 2/16/16, DCH
 SET MAG/WASHER
 10/4/17, JLL



O.D.O.T. DISTRICT 2 SURVEY OFFICE (USE ONLY)

PERSONNEL _____ REFERENCE NO. 34 B SHEET 3 OF 24

NOTES LEU DATE 04-26-2017 ROUTE SR 65
 H.C. LEU WEATHER SUNNY, WINDY COUNTY HENRY
 R.C. HELDMAN TEMP. 56° TOWNSHIP DAMASCUS
 SECTION 10
 T 5 N R 8 E

TYPE MONUMENT MAG/WASHER

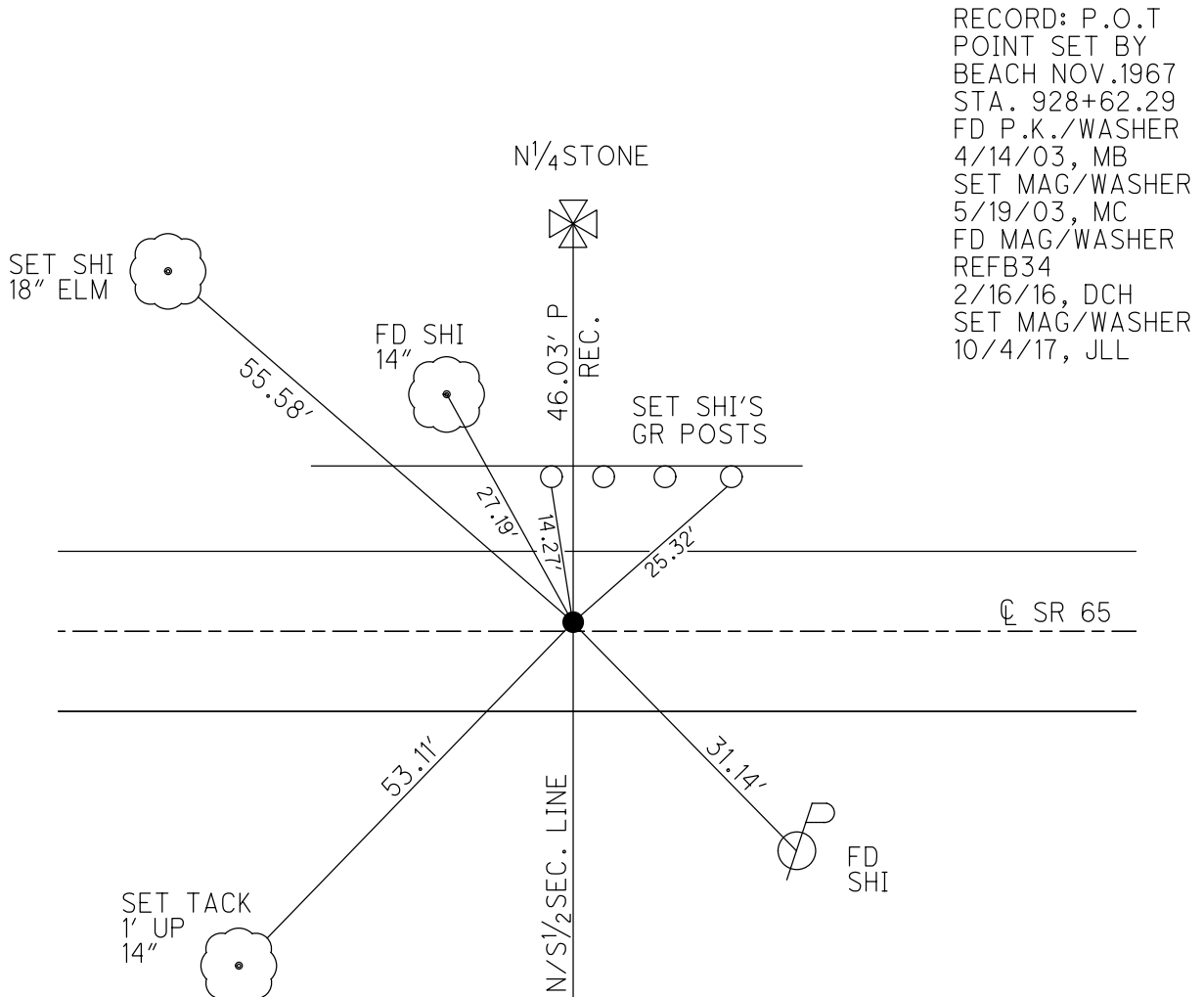
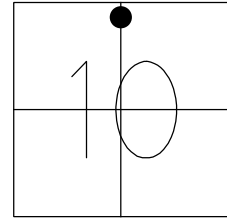
ON SURFACE - ~~BELOW~~ ON _____

LEFT - ☉ PAV'T - ~~RIGHT~~ 0.6'

9.6' TO LT EDGE PAVEMENT

S.L.M. 929+03.94

Grid: Northing: 640226.256 Easting: 1575801.115

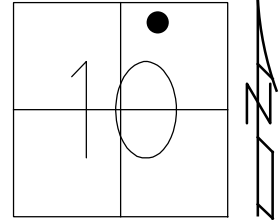


RECORD: P.O.T
 POINT SET BY
 BEACH NOV.1967
 STA. 928+62.29
 FD P.K./WASHER
 4/14/03, MB
 SET MAG/WASHER
 5/19/03, MC
 FD MAG/WASHER
 REFB34
 2/16/16, DCH
 SET MAG/WASHER
 10/4/17, JLL

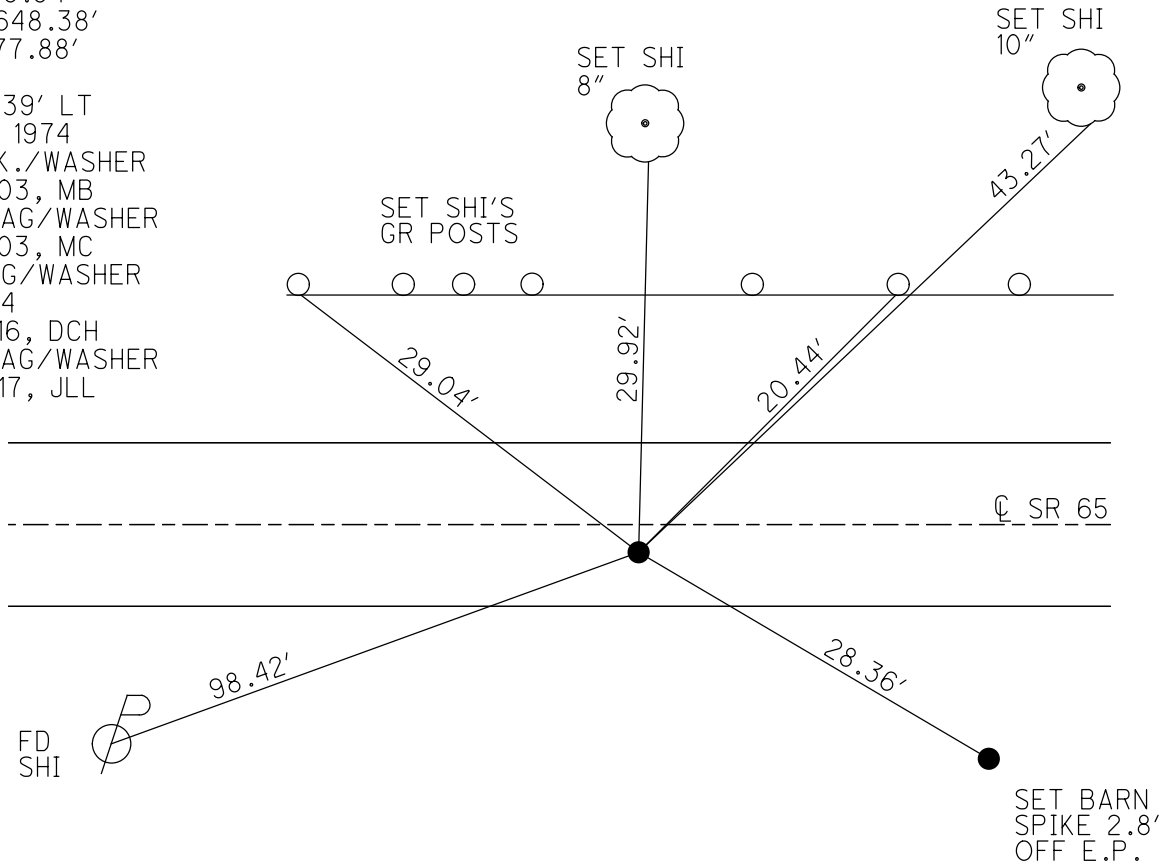
O.D.O.T. DISTRICT 2 SURVEY OFFICE (USE ONLY)

PERSONNEL _____ REFERENCE NO. 34 C SHEET 4 OF 24
 NOTES HELDMAN DATE 4-26-17 ROUTE SR 65
 H.C. LEU WEATHER SUNNY, WINDY COUNTY HENRY
 R.C. HELDMAN TEMP. 83° TOWNSHIP DAMASCUS
 _____ SECTION 10
 _____ T 5 N R 8 E

TYPE MONUMENT P.K./WASHER
 ON SURFACE - ~~BELOW~~ ON _____
~~LEFT~~ - ☉ PAV'T - RIGHT 1.3'
8.3' TO RT EDGE PAVEMENT
 S.L.M. 930+12.16
 Grid: Northing: 640217.704 Easting: 1575909.061



RECORD: P.I.
 DATA FROM 1924 PLAN
 STA. 20+50
 $\Delta = 4^\circ-53' \text{ LT}$
 $D = 0^\circ-36'-00''$
 $T = 138.94'$
 $R = 9648.38'$
 $L = 277.88'$
 $E = 1'$
 $\Delta = 1^\circ39' \text{ LT}$
 MEAS. 1974
 FD P.K./WASHER
 4/14/03, MB
 SET MAG/WASHER
 5/19/03, MC
 FD MAG/WASHER
 REFC34
 2/16/16, DCH
 SET MAG/WASHER
 10/4/17, JLL



O.D.O.T. DISTRICT 2 SURVEY OFFICE (USE ONLY)

PERSONNEL _____ REFERENCE NO. 34 D SHEET 5 OF 24

NOTES RHOADES DATE 4-27-17 ROUTE SR 65

H.C. LEU WEATHER CLOUDY COUNTY HENRY

R.C. HELDMAN TEMP. 68° TOWNSHIP DAMASCUS

SECTION 10

T 5 N R 8 E

TYPE MONUMENT MAG/WASHER

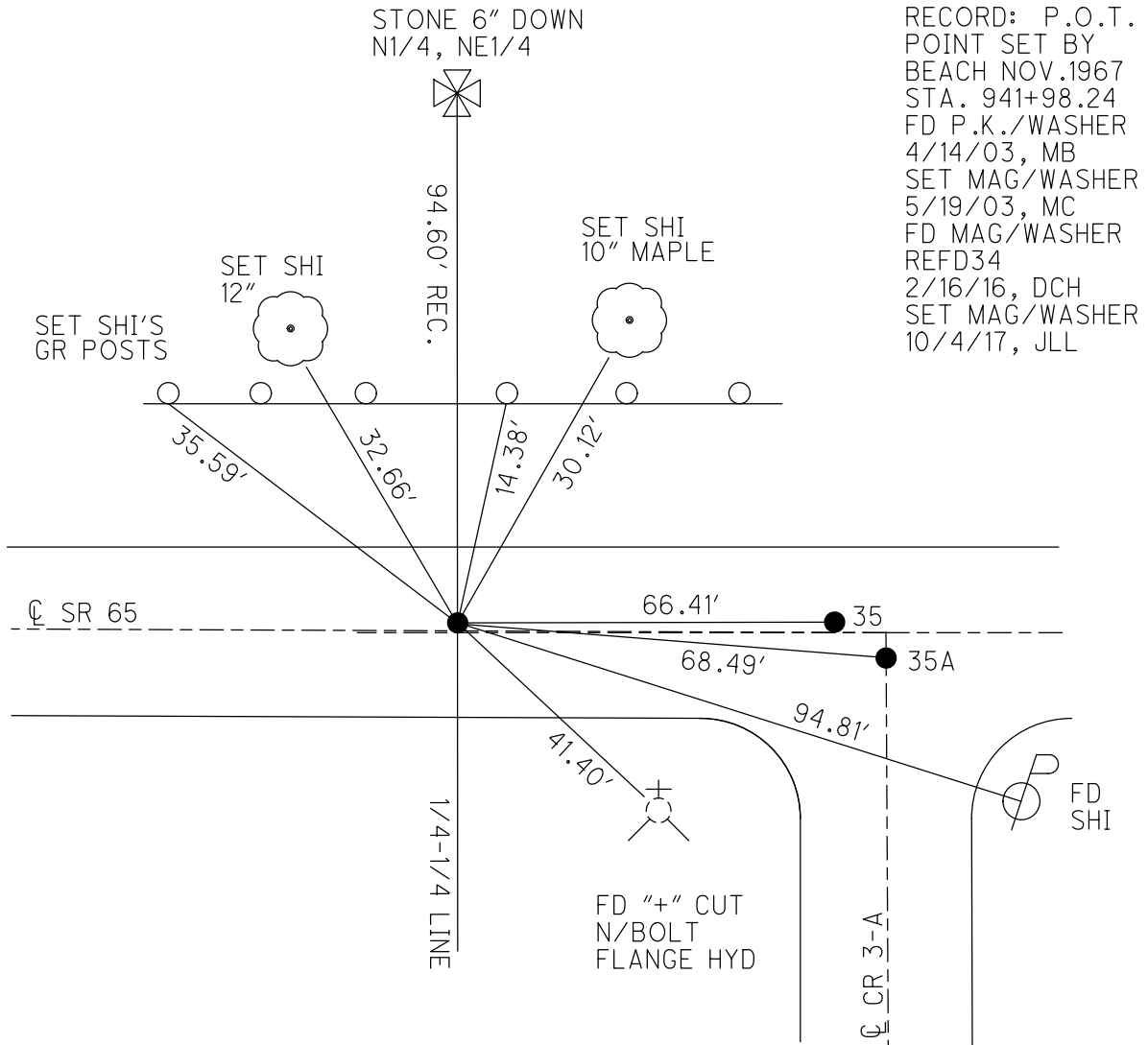
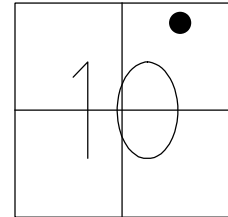
ON SURFACE - ~~BELOW~~ ON _____

~~LEFT~~ - CL PAV'T - RIGHT 0.6'

9.8' TO CT EDGE PAVEMENT

S.L.M. 942+39.61

Grid: Northing: 640167.636 Easting: 1577135.510



RECORD: P.O.T.
 POINT SET BY
 BEACH NOV.1967
 STA. 941+98.24
 FD P.K./WASHER
 4/14/03, MB
 SET MAG/WASHER
 5/19/03, MC
 FD MAG/WASHER
 REFD34
 2/16/16, DCH
 SET MAG/WASHER
 10/4/17, JLL

O.D.O.T. DISTRICT 2 SURVEY OFFICE (USE ONLY)

PERSONNEL _____ REFERENCE NO. 34 E SHEET 6 OF 24
 NOTES RHOADES DATE 4-27-17 ROUTE SR 65
 H.C. LEU WEATHER CLOUDY COUNTY HENRY
 R.C. HELDMAN TEMP. 67° TOWNSHIP DAMASCUS
 _____ SECTION 10
 _____ T 5 N R 8 E

TYPE MONUMENT MAG/WASHER

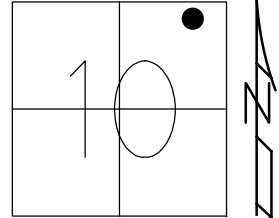
ON SURFACE - ~~BELOW~~ ON _____

~~LEFT~~ - Q PAV'T - RIGHT 0.8'

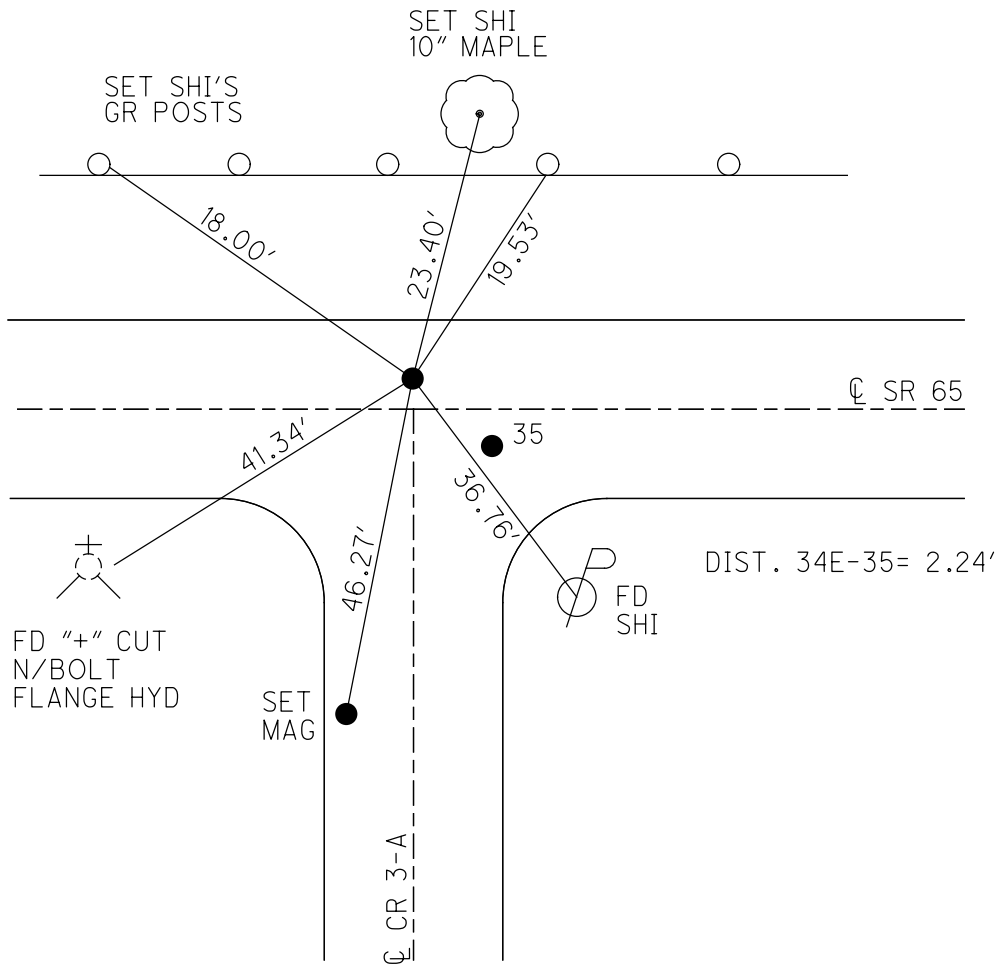
9.8' TO LT EDGE PAVEMENT

S.L.M. 943+06.02

Grid: Northing: 640165.827 Easting: 1577201.814



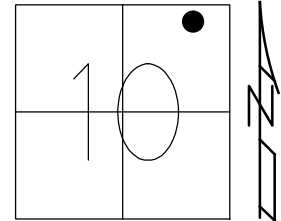
RECORD: P.T.
 2-2-84
 FD R.R.SPIKE
 1 1/2" DOWN
 LOCATED BY CO.
 11-17-80, R.W.W.
 FD P.K./WASHER
 4/14/03, MB
 SET MAG/WASHER
 5/19/03, MC
 FD MAG/WASHER
 REF35
 2/16/16, DCH
 SET MAGS/WASHER
 NEWREF35
 10/4/17, JLL



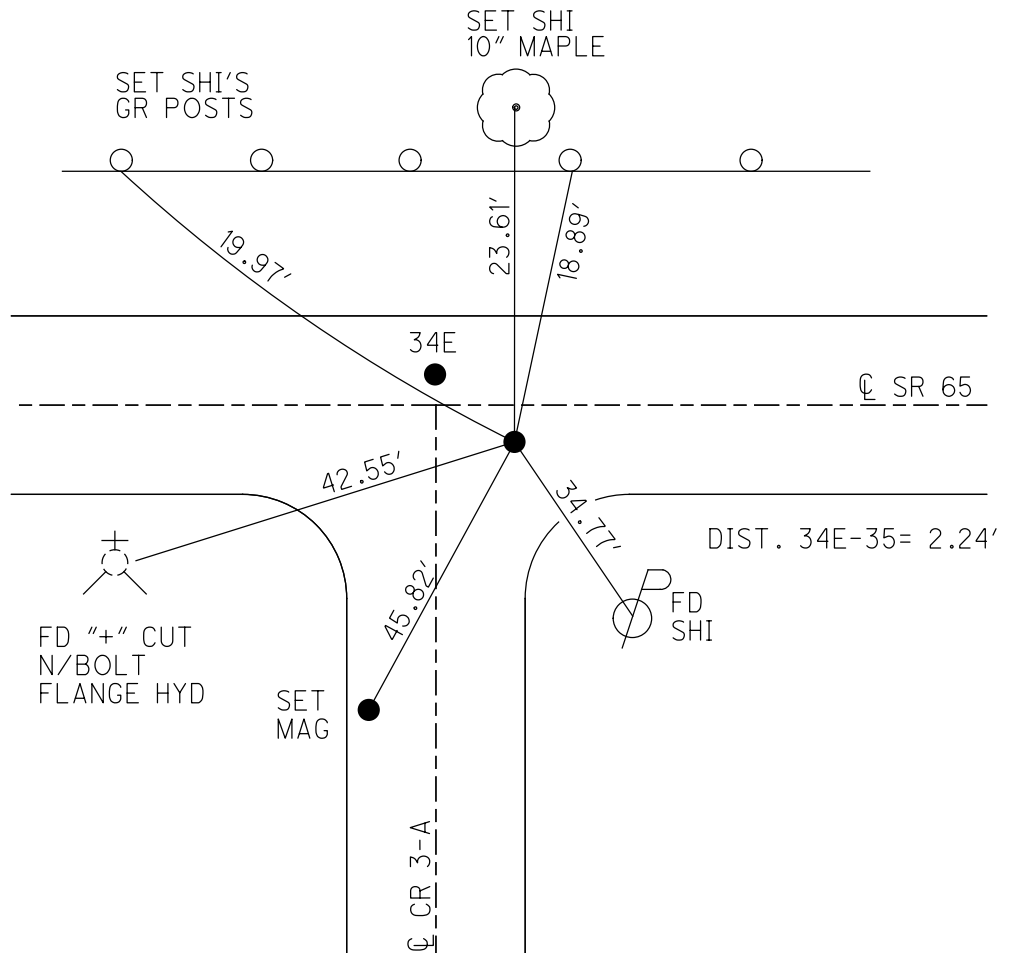
O.D.O.T. DISTRICT 2 SURVEY OFFICE (USE ONLY)

PERSONNEL _____ REFERENCE NO. 35 SHEET 7 OF 24
 NOTES RHOADES DATE 4-27-17 ROUTE SR 65
 H.C. LEU WEATHER CLOUDY COUNTY HENRY
 R.C. HELDMAN TEMP. 67° TOWNSHIP DAMASCUS
 SECTION 10
 T 5 N R 8 E

TYPE MONUMENT MAG/WASHER
~~ON SURFACE~~ - BELOW ON
~~LEFT~~ - ☉ PAV'T - RIGHT 1.5'
10.5' TO LT EDGE PAVEMENT
 S.L.M. 943+08.02
 Grid: Northing: 640164.958 Easting: 1577203.965



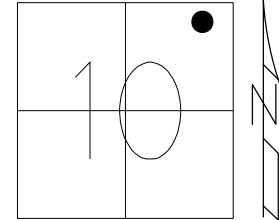
RECORD: P.I.
 DATA FROM 1924 PLAN
 $\Delta = 2^{\circ}58' \text{ LT}$
 MEAS. 1974
 STA. 40+99.2
 $\Delta = 2^{\circ}58' \text{ LT}$
 $D = 1^{\circ}55'$
 $T = 77.25'$
 $R = 2983.39'$
 $L = 154.47'$
 $E = 1'$
 FD P.K./WASHER
 4/14/03, MB
 SET MAG/WASHER
 5/19/03, MC
 FD MAG/WASHER
 REFA35
 2/16/16, DCH
 SET MAG/WASHER
 NEWREFA35
 10/4/17, JLL



O.D.O.T. DISTRICT 2 SURVEY OFFICE (USE ONLY)

PERSONNEL _____ REFERENCE NO. 35 A SHEET 8 OF 27
 NOTES MILLER DATE 5/3/23 ROUTE SR 65
 H.C. MILLER WEATHER CLOUDY COUNTY HENRY
 R.C. RHOADES TEMP. 48° TOWNSHIP DAMASCUS
 DWG BY RHOADES PID 119500 SECTION 10
 T 5 N R 8 E

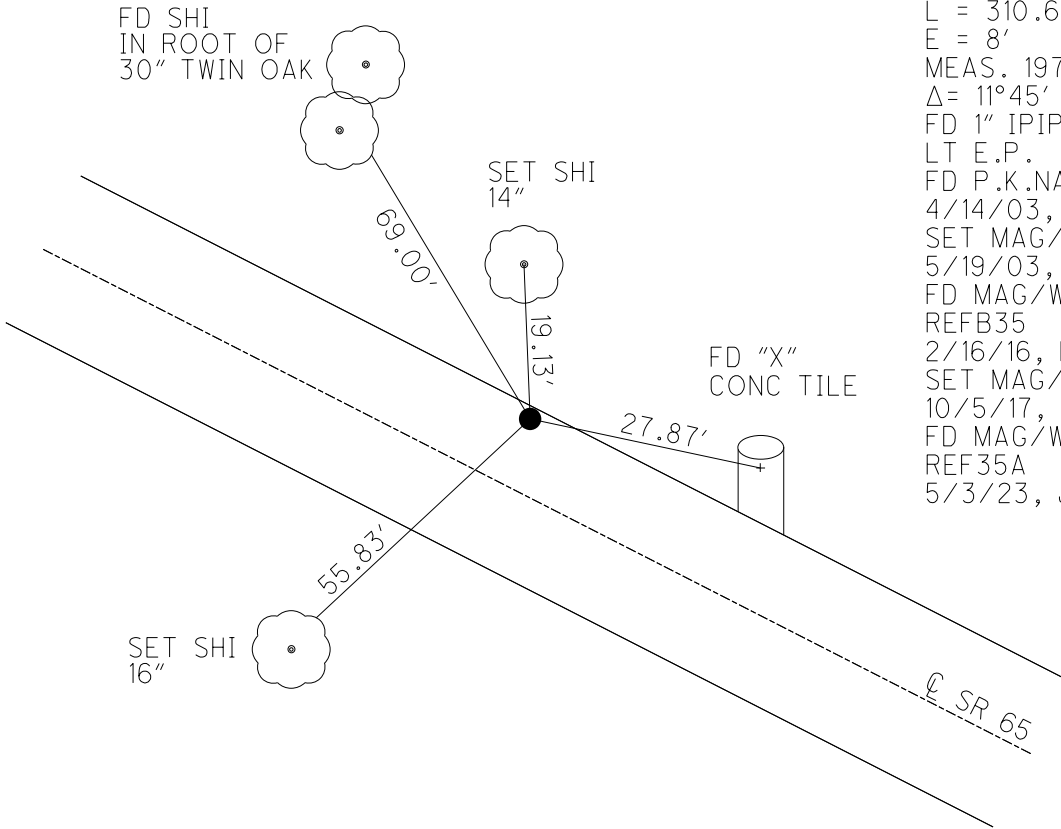
TYPE MONUMENT MAG/WASHER
 ON SURFACE - ~~BELOW~~ ON _____
 OFFSET \odot PAVEMENT 8.6' LT : ~~RT~~
0.9' TO LT EDGE PAVEMENT
 STATION: 951+11.56



HORZ. DATUM: NAD83 2011 GEOID: NAVD88 2018
 GRID: NORTHING: 640173.816 EASTING: 1578007.383

HEN LDP
 N: 497397.008
 E: 212387.894

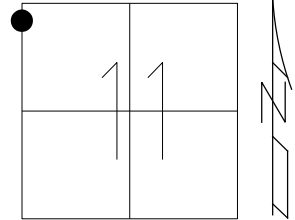
RECORD: P.I.
 DATA FROM 1924 PLAN
 STA. 49+08.2
 $\Delta = 11^\circ 45' RT$
 $D = 3^\circ 47' 00''$
 $T = 155.68'$
 $R = 1514.76'$
 $L = 310.64'$
 $E = 8'$
 MEAS. 1974
 $\Delta = 11^\circ 45' 0'' RT$
 FD 1" IPIPE
 LT E.P.
 FD P.K. NAIL
 4/14/03, MB
 SET MAG/WASHER
 5/19/03, MC
 FD MAG/WASHER
 REFB35
 2/16/16, DCH
 SET MAG/WASHER
 10/5/17, JLL
 FD MAG/WASHER
 REF35A
 5/3/23, JAM



O.D.O.T. DISTRICT 2 SURVEY OFFICE (USE ONLY)

PERSONNEL _____ REFERENCE NO. 36 SHEET 9 OF 27
 NOTES MILLER DATE 5/2/23 ROUTE SR 65
 H.C. MILLER WEATHER MIST COUNTY HENRY
 R.C. RHOADES TEMP. 45° TOWNSHIP DAMASCUS
 DWG BY RHOADES PID 119500 SECTION 11
 T 5 N R 8 E

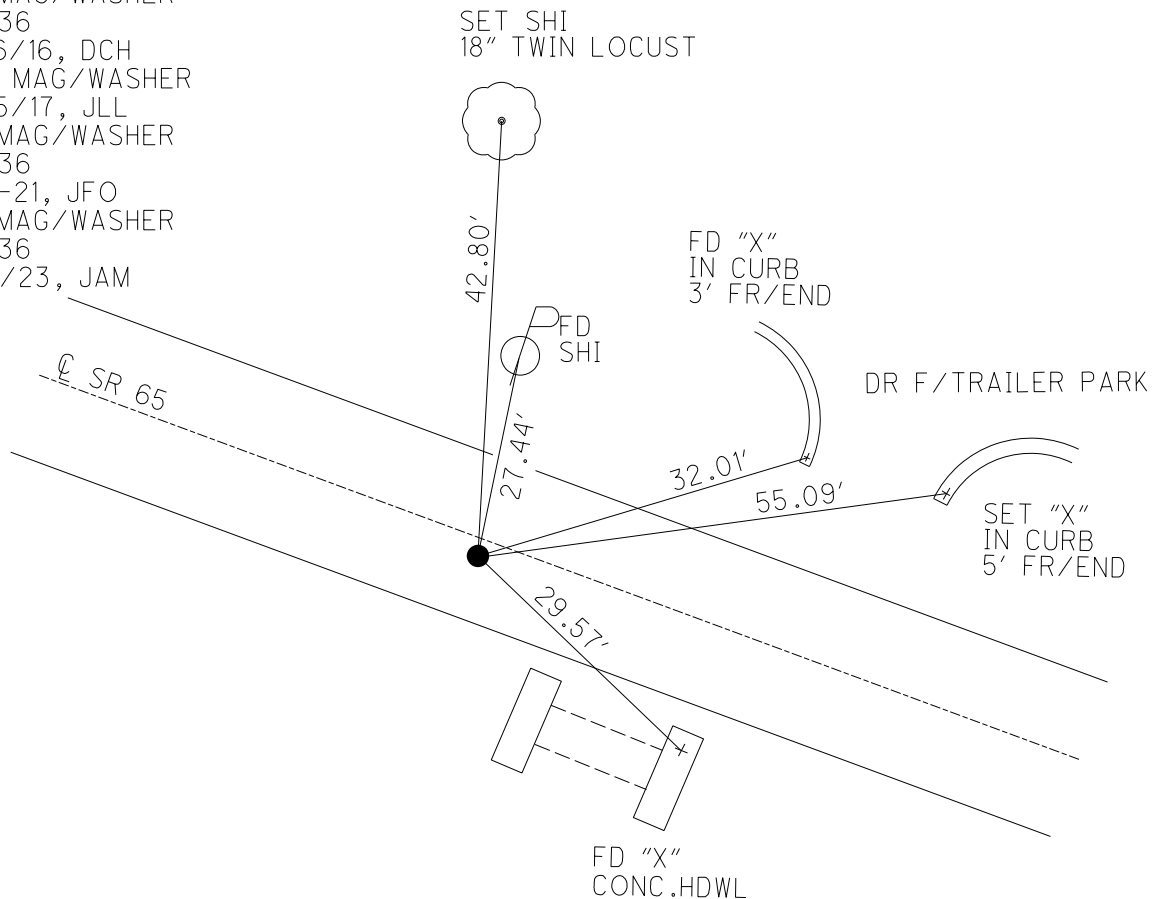
TYPE MONUMENT MAG/WASHER
 ON SURFACE - ~~BELOW~~ ON
 OFFSET \odot PAVEMENT 1.4' \pm : RT
9.5' TO RT EDGE PAVEMENT
 STATION: 956+17.47



HORIZ.DATUM: NAD83 2011 GEOID: NAVD88 2018
 GRID: NORTHING: 640082.638 EASTING: 1578470.489

RECORD:
 FD P.K./WASHER
 4/14/03, MB
 SET MAG/WASHER
 5/19/03, MC
 FD MAG/WASHER
 REF36
 2/16/16, DCH
 SET MAG/WASHER
 10/5/17, JLL
 FD MAG/WASHER
 REF36
 11-8-21, JFO
 FD MAG/WASHER
 REF36
 5/2/23, JAM

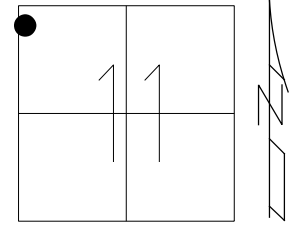
HEN LDP
 N: 497314.398
 E: 212852.643



O.D.O.T. DISTRICT 2 SURVEY OFFICE (USE ONLY)

PERSONNEL _____ REFERENCE NO. 36 PC SHEET 10 OF 27
 NOTES MILLER DATE 3/29/24 ROUTE SR 65
 H.C. MILLER WEATHER SUNNY COUNTY HENRY
 R.C. NIESE TEMP. 43° TOWNSHIP DAMASCUS
 DWG BY RHOADES PID 119500 SECTION 11
 T 5 N R 8 E

TYPE MONUMENT MAG/WASHER
 ON SURFACE - ~~BELOW~~ ON
 OFFSET \varnothing PAVEMENT _____ LT : RT
 _____ TO _____ EDGE PAVEMENT
 STATION: _____

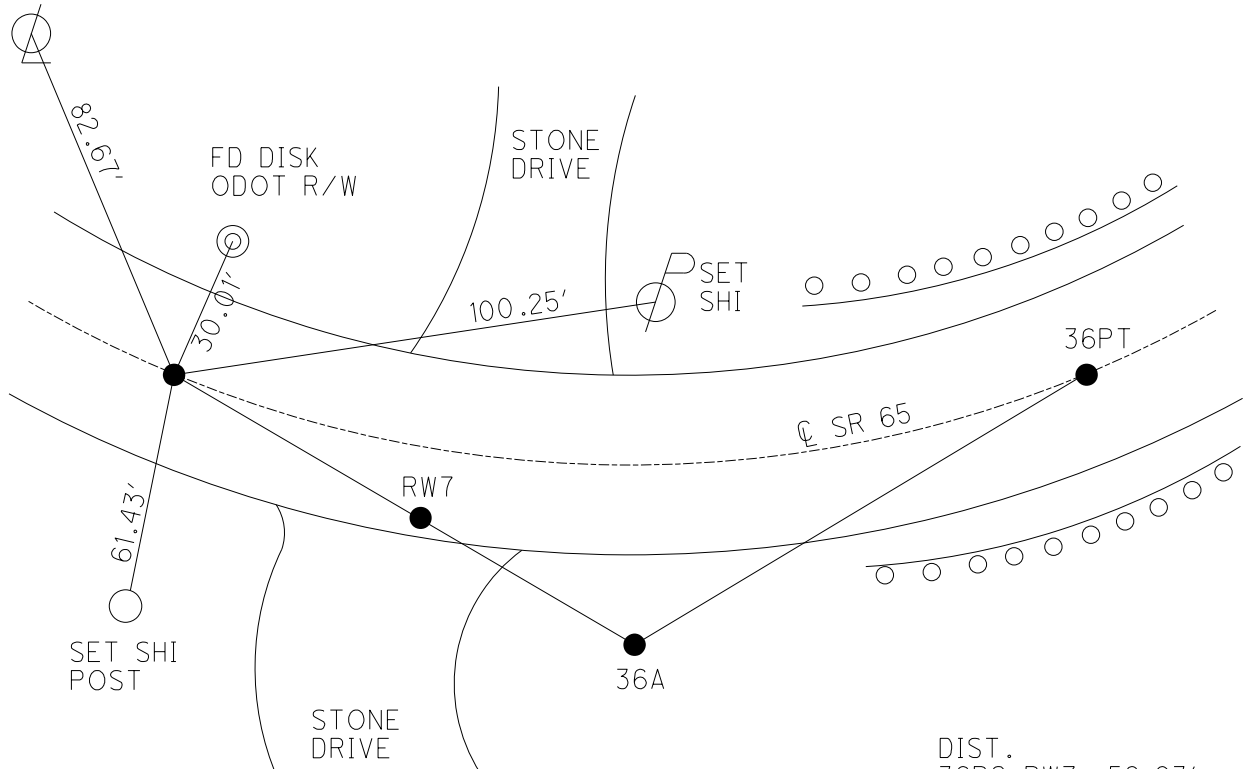


HORIZ. DATUM: NAD83 2011 GEOID: NAVD88 2018
 GRID: NORTHING: _____ EASTING: _____

HEN LDP
 N: 497226.879
 E: 213344.976

RECORD:
 SET MAG/WASHER
 REF36PC
 3/29/24, JAM

TOP SE
 BOLT

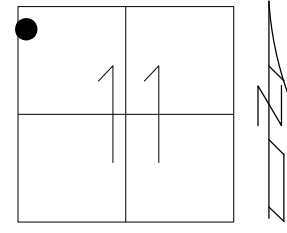


DIST.
 36PC-RW7= 59.93'
 RW7-36PT= 126.76'

O.D.O.T. DISTRICT 2 SURVEY OFFICE (USE ONLY)

PERSONNEL _____ REFERENCE NO. RW7 SHEET 11 OF 27
 NOTES MILLER DATE 3/29/24 ROUTE SR 65
 H.C. MILLER WEATHER SUNNY COUNTY HENRY
 R.C. NIESE TEMP. 43° TOWNSHIP DAMASCUS
 DWG BY RHOADES PID 119500 SECTION 11
 T 5 N R 8 E

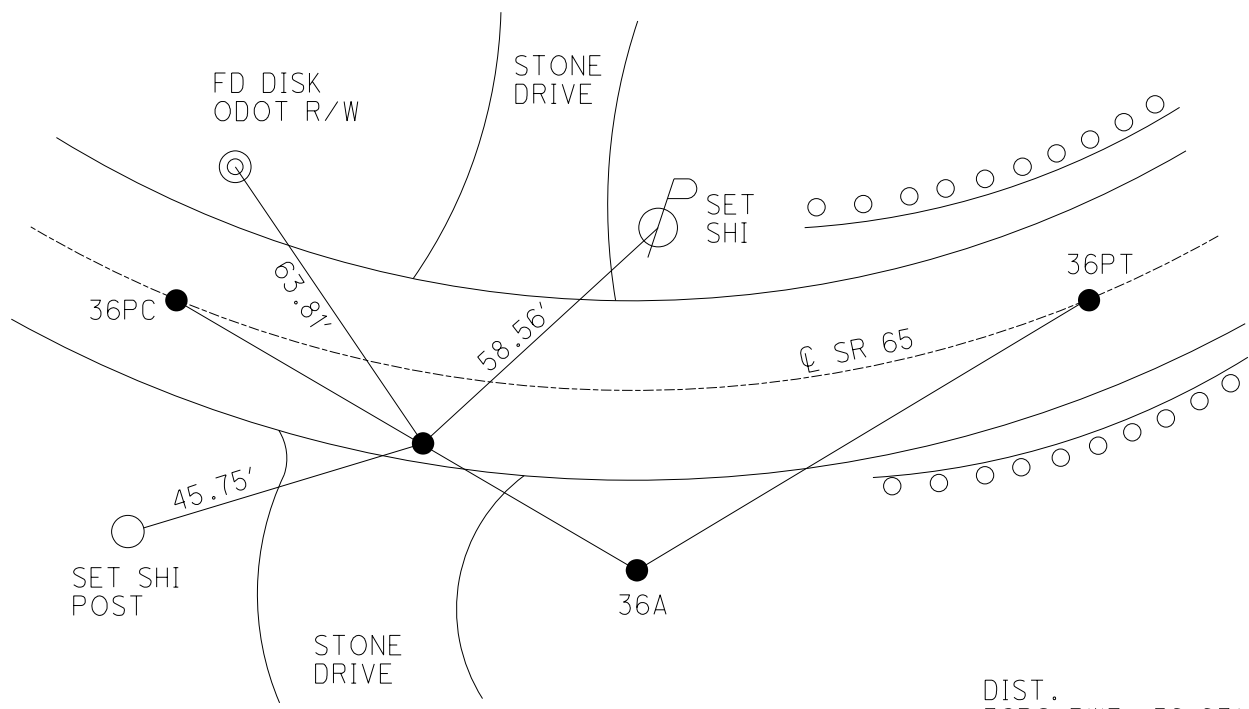
TYPE MONUMENT MAG/WASHER
 ON SURFACE - ~~BELOW~~ ON
 OFFSET \odot PAVEMENT _____ LT : RT
 _____ TO _____ EDGE PAVEMENT
 STATION: _____



HORIZ.DATUM: NAD83 2011 GEOID: NAVD88 2018
 GRID: NORTHING: _____ EASTING: _____

RECORD:
 SET MAG NAIL
 REFRW7
 3/29/24, JAM

HEN LDP
 N: 497223.262
 E: 213404.861



DIST.
 36PC-RW7= 59.93'
 RW7-36PT= 126.76'

O.D.O.T. DISTRICT 2 SURVEY OFFICE (USE ONLY)

PERSONNEL _____ REFERENCE NO. 36 A SHEET 12 OF 27
 NOTES MILLER DATE 5/2/23 ROUTE SR 65
 H.C. MILLER WEATHER MIST COUNTY HENRY
 R.C. RHOADES TEMP. 45° TOWNSHIP DAMASCUS
 DWG BY RHOADES PID 119500 SECTION 11
 T 5 N R 8 E

TYPE MONUMENT 3/4" IPIN

~~ON SURFACE~~ - BELOW 3"

OFFSET \odot PAVEMENT 28.2' \pm : RT

16' RT TO RT EDGE PAVEMENT

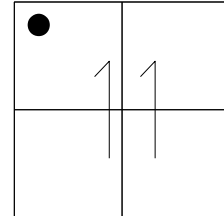
STATION: 961+80.86

HORZ.DATUM: NAD83 2011

GEOID: NAVD88 2018

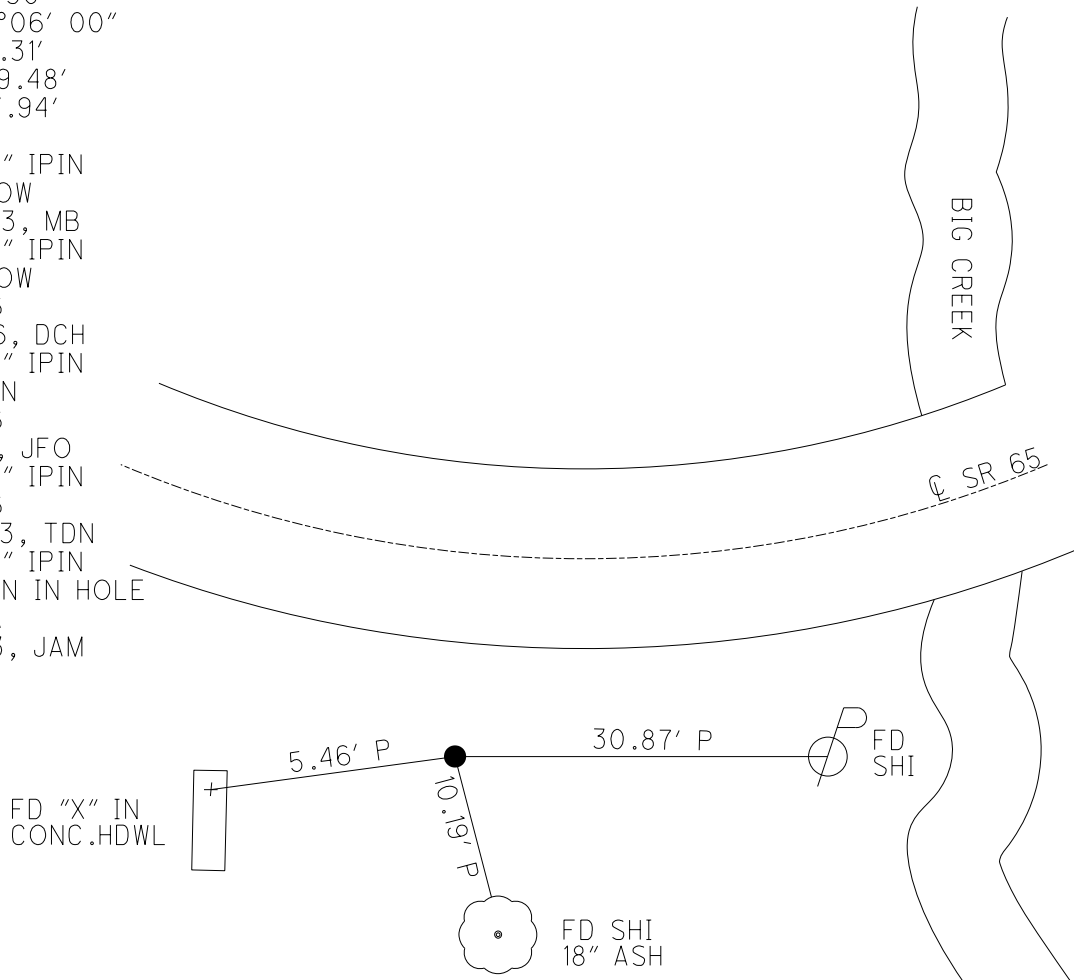
GRID: NORTHING: 639967.093

EASTING: 1579057.626



RECORD: P.I.
 DATA FROM 1924 PLAN
 STA. 59+76.8
 $\Delta = 41^{\circ}30'$
 $D = 22^{\circ}06' 00''$
 $T = 98.31'$
 $R = 259.48'$
 $L = 187.94'$
 $E = 18'$
 FD 3/4" IPIN
 2" BELOW
 4/14/03, MB
 FD 3/4" IPIN
 3" BELOW
 REFA36
 2/16/16, DCH
 FD 3/4" IPIN
 2" DOWN
 REFA36
 11-8-21, JFO
 FD 3/4" IPIN
 REFA36
 3/16/23, TDN
 FD 3/4" IPIN
 3" DOWN IN HOLE
 REF36A
 5/2/23, JAM

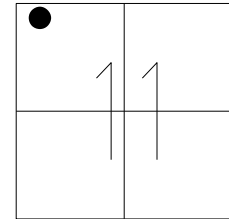
HEN LDP
 N: 497209.619
 E: 213441.849



O.D.O.T. DISTRICT 2 SURVEY OFFICE (USE ONLY)

PERSONNEL _____ REFERENCE NO. 36 PT SHEET 13 OF 27
 NOTES MILLER DATE 3/29/24 ROUTE SR 65
 H.C. MILLER WEATHER SUNNY COUNTY HENRY
 R.C. NIESE TEMP. 43° TOWNSHIP DAMASCUS
 DWG BY RHOADES PID 119500 SECTION 11
 T 5 N R 8 E

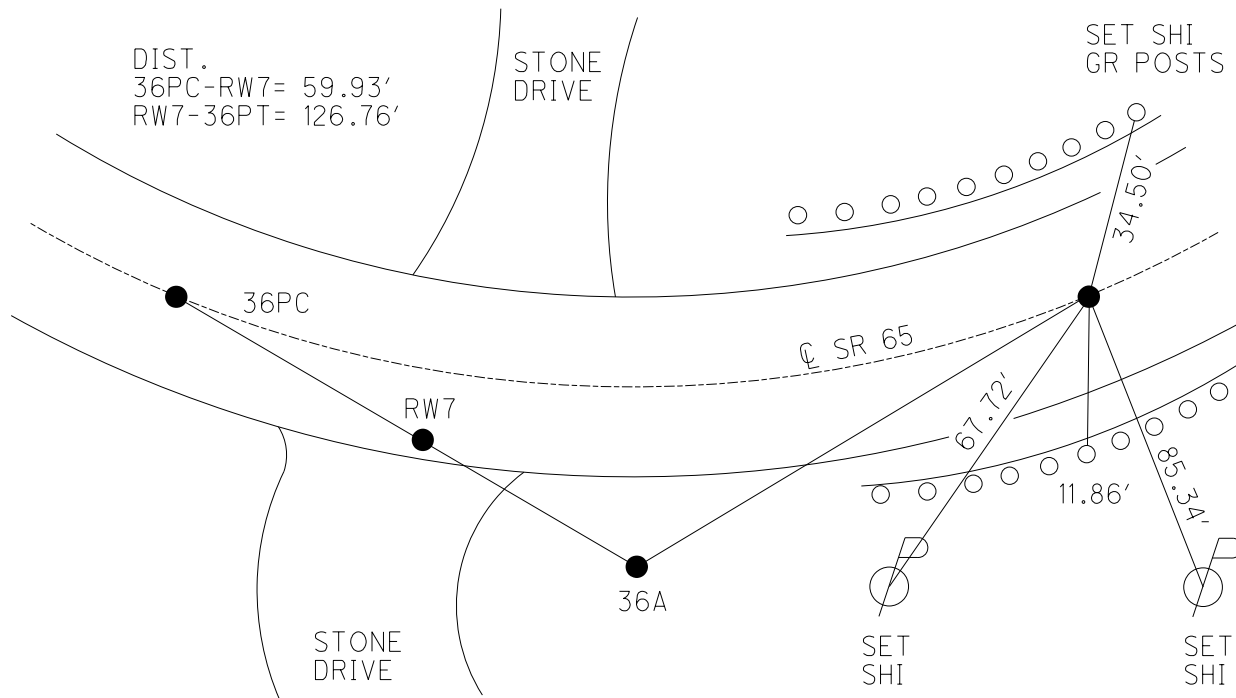
TYPE MONUMENT MAG/WASHER
 ON SURFACE - ~~BELOW~~ ON
 OFFSET \varnothing PAVEMENT _____ LT : RT
 _____ TO _____ EDGE PAVEMENT
 STATION: _____



HORIZ. DATUM: NAD83 2011 GEOID: NAVD88 2018
 GRID: NORTHING: _____ EASTING: _____

RECORD:
 SET MAG/WASHER
 REF 36PT
 3/29/24, JAM

HEN LDP
 N: 497260.958
 E: 213525.773



O.D.O.T. DISTRICT 2 SURVEY OFFICE (USE ONLY)

PERSONNEL

REFERENCE NO. 37

SHEET 14 OF 27

NOTES MILLER

DATE 3/16/23

ROUTE SR 65

H.C. MILLER

WEATHER CLEAR

COUNTY HENRY

R.C. NIESE

TEMP. 36°

TOWNSHIP DAMASCUS

SECTION 11

DWG BY RHOADES

PID 119500

T 5 N R 8 E

TYPE MONUMENT BARN SPIKE

~~ON SURFACE~~ - BELOW 1"

OFFSET CL PAVEMENT 16.4' LT : ~~RT~~

5.7' LT TO LT EDGE PAVEMENT

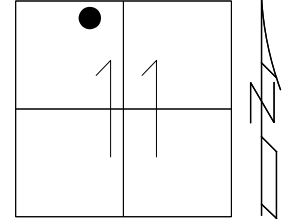
STATION: 966+75.65

HORZ. DATUM: NAD83 2011

GEOID: NAVD88 2018

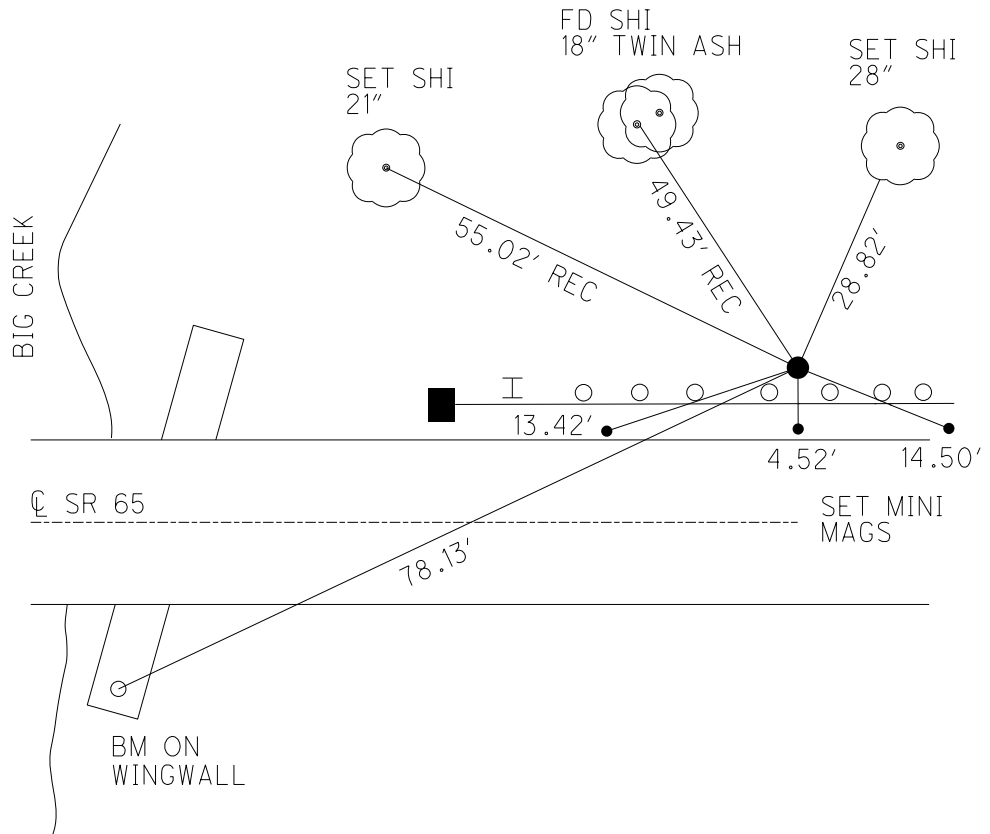
GRID: NORTHING: 640221.817

EASTING: 1579491.904



RECORD: P.I.
 DATA FROM 1924 PLAN
 STA. 64+86.3
 = 27°18'
 D = 17°24' 00"
 T = 80'
 R = 329.42'
 L = 156.96'
 E = 9.50'
 FD 1" IPIN
 SET P.K. NAIL
 IN CONC. BASE
 OF I-BEAM POST
 1991
 FD IPIN
 4/14/03, MB
 SET IPIN
 5/19/03, MC
 FD NAIL
 REF 37
 2/16/16, DCH
 FD BARN SPIKE
 REF 37
 3/16/23, TDN

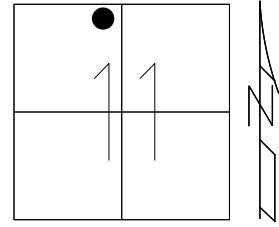
HEN LDP
 N: 497472.327
 E: 213871.350



O.D.O.T. DISTRICT 2 SURVEY OFFICE (USE ONLY)

PERSONNEL _____ REFERENCE NO. 37 A SHEET 15 OF 27
 NOTES MILLER DATE 5/2/23 ROUTE SR 65
 H.C. MILLER WEATHER MIST COUNTY HENRY
 R.C. RHOADES TEMP. 45° TOWNSHIP DAMASCUS
 DWG BY RHOADES PID 119500 SECTION 11
 T 5 N R 8 E

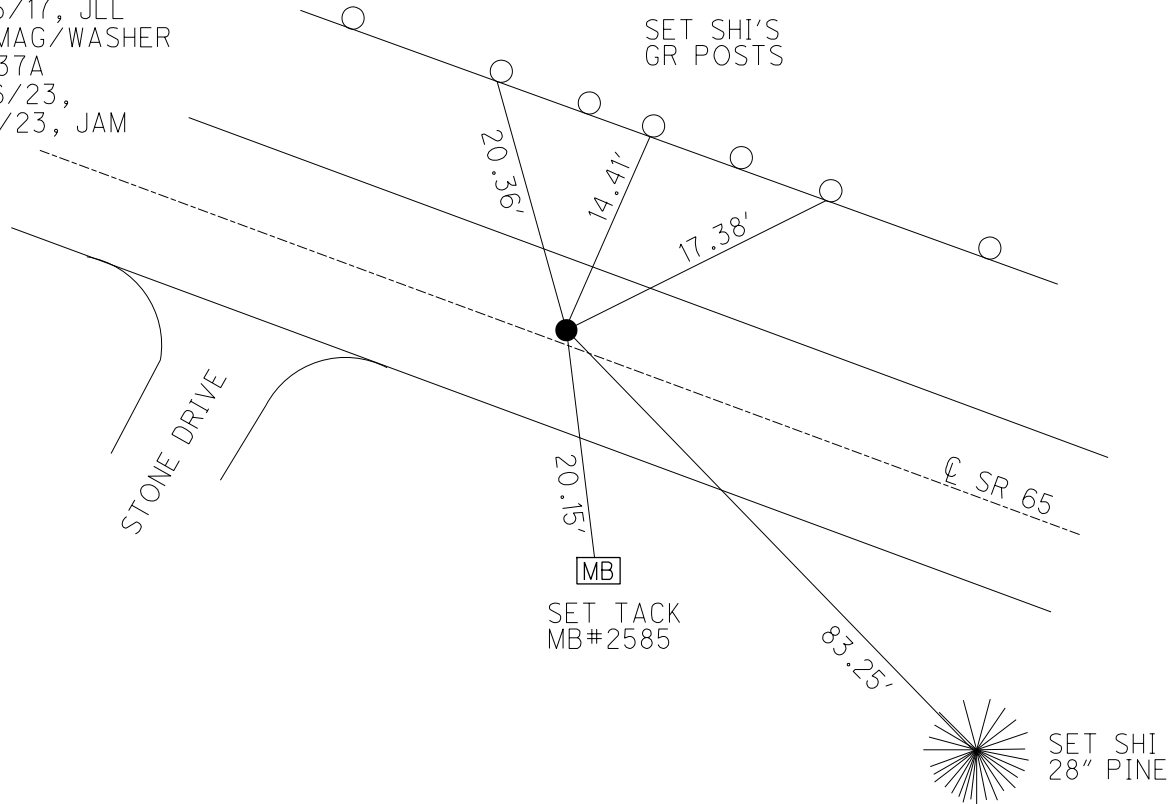
TYPE MONUMENT MAG/WASHER
 ON SURFACE - ~~BELOW~~ ON _____
 OFFSET \odot PAVEMENT 0.2' LT : ~~RT~~
9.5' TO LT EDGE PAVEMENT
 STATION: 977+54.10



HORIZ.DATUM: NAD83 2011 GEOID: NAVD88 2018
 GRID: NORTHING: 640280.209 EASTING: 1580571.828

RECORD:
 ORIGIN UNKNOWN
 FD P.K./WASHER
 4/14/03, MC
 SET MAG/WASHER
 5/19/03, MC
 FD MAG/WASHER
 REFA37
 2/16/16, DCH
 SET MAG/WASHER
 10/5/17, JLL
 FD MAG/WASHER
 REF37A
 3/16/23,
 5/2/23, JAM

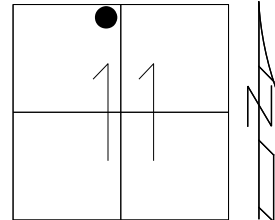
HEN LDP
 N: 497550.472
 E: 214950.142



O.D.O.T. DISTRICT 2 SURVEY OFFICE (USE ONLY)

PERSONNEL _____ REFERENCE NO. 37 B SHEET 16 OF 27
 NOTES MILLER DATE 5/2/23 ROUTE SR 65
 H.C. MILLER WEATHER MIST COUNTY HENRY
 R.C. RHOADES TEMP. 45° TOWNSHIP DAMASCUS
 DWG BY RHOADES PID 119500 SECTION 11
 T 5 N R 8 E

TYPE MONUMENT MAG/WASHER
 ON SURFACE - ~~BELOW~~ ON
 OFFSET \varnothing PAVEMENT 9.7' LT : ~~R~~
ON TO LT EDGE PAVEMENT
 STATION: 979+29.15



HORIZ.DATUM: NAD83 2011 GEOID: NAVD88 2018
 GRID: NORTHING: 640289.631 EASTING: 1580746.616

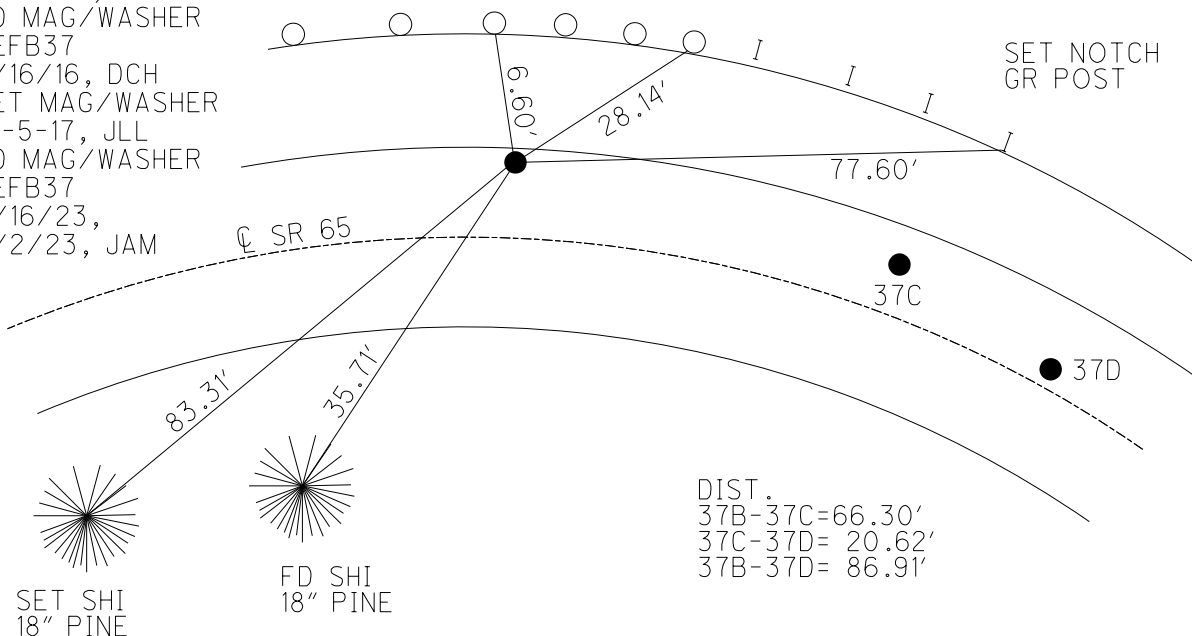
RECORD: P.I.
 DATA FROM 1924 PLAN
 STA. 77+58.2
 $\Delta = 16^\circ - 47'$
 $\Delta = 16^\circ 14' 20''$
 MEAS. 1974
 $D = 10^\circ 21' 00''$
 $T = 81.62'$
 $R = 553.28'$
 $L = 162.08'$
 $E = 6'$

HEN LDP
 N: 497563.074
 E: 215124.736

SET MAG/WASHER
 05/19/03, MC
 FD P.K./WASHER
 4/14/04, MB
 FD MAG/WASHER
 REFB37
 2/16/16, DCH
 SET MAG/WASHER
 10-5-17, JLL
 FD MAG/WASHER
 REFB37
 3/16/23,
 5/2/23, JAM

SET SHI'S
 GR POSTS

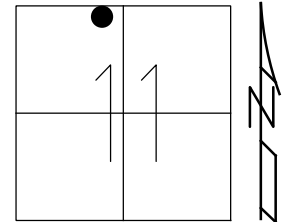
SET NOTCH
 GR POST



O.D.O.T. DISTRICT 2 SURVEY OFFICE (USE ONLY)

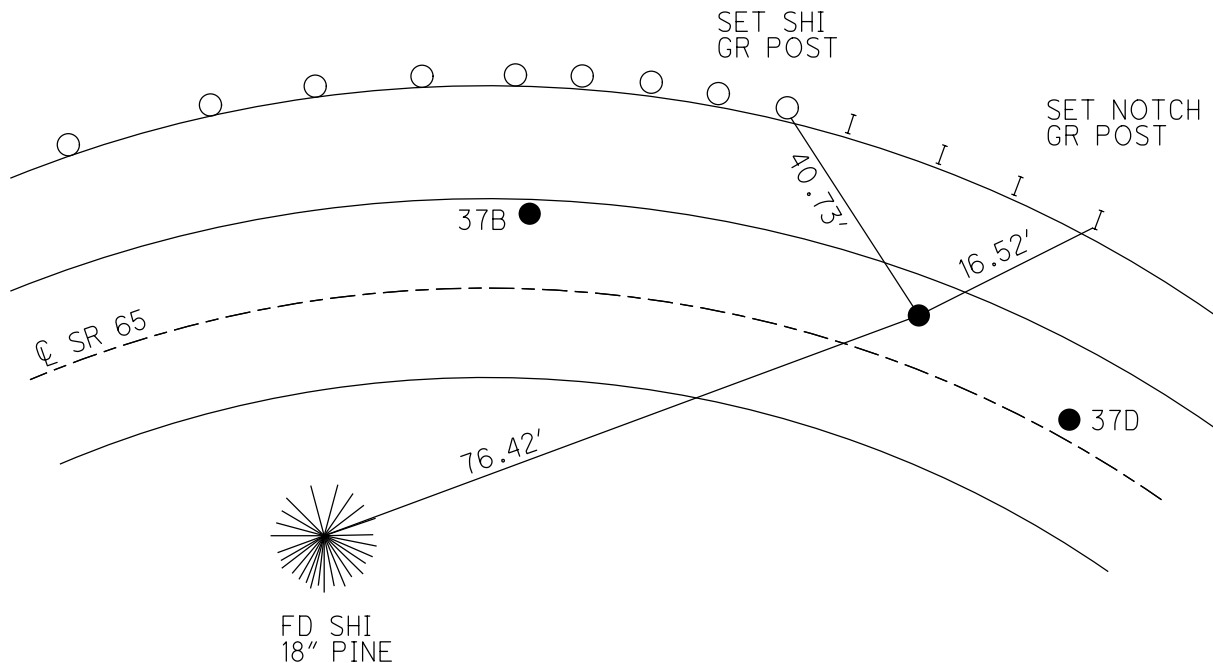
PERSONNEL _____ REFERENCE NO. 37 C SHEET 14 OF 24
 NOTES RHOADES DATE 4-27-17 ROUTE SR 65
 H.C. LEU WEATHER CLOUDY COUNTY HENRY
 R.C. HELDMAN TEMP. 67° TOWNSHIP DAMASCUS
 _____ SECTION 11
 _____ T 5 N R 8 E

TYPE MONUMENT P.K./WASHER
~~ON SURFACE~~ - BELOW 2"
 LEFT - ☉ PAV'T - RIGHT 3'
6.5' TO LT EDGE PAVEMENT
 S.L.M. 979+94.4
 Grid: Northing: 640274.532 Easting: 1580811.181



RECORD:
 ORIGIN UNKNOWN
 SET MAG/WASHER
 05/19/03, MC
 FD P.K./WASHER
 2" DOWN
 REFC37
 2/16/16, DCH
 SET MAG/WASHER
 10-5-17, JLL

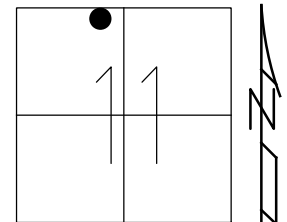
DIST.
 37B-37C=66.30'
 37C-37D= 20.62'
 37B-37D= 86.91'



O.D.O.T. DISTRICT 2 SURVEY OFFICE (USE ONLY)

PERSONNEL _____ REFERENCE NO. 37 D SHEET 15 OF 24
 NOTES RHOADES DATE 4-27-17 ROUTE SR 65
 H.C. LEU WEATHER CLOUDY COUNTY HENRY
 R.C. HELDMAN TEMP. 67° TOWNSHIP DAMASCUS
 _____ SECTION 11
 _____ T 5 N R 8 E

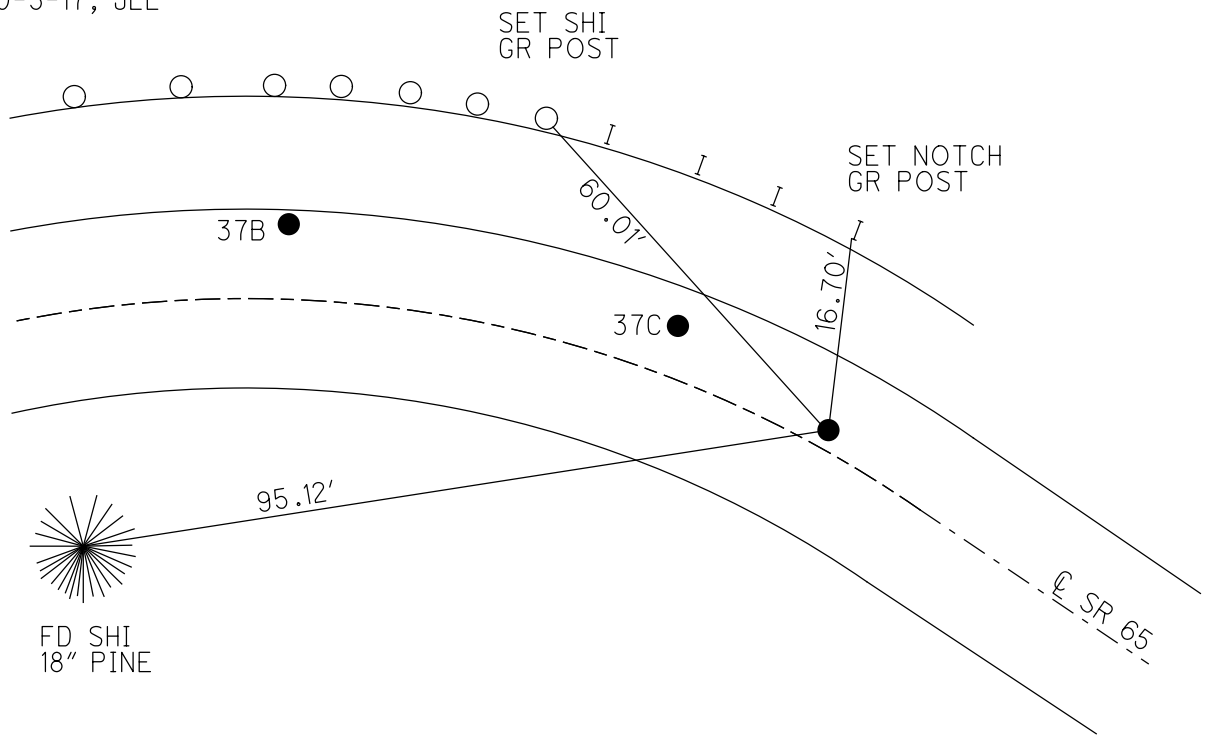
TYPE MONUMENT MAG/WASHER
 ON SURFACE - ~~BELOW~~ ON
 LEFT - ☉ PAV'T - ~~RIGHT~~ 2.3'
7.6' TO LT EDGE PAVEMENT
 S.L.M. 980+15



Grid: Northing: 640269.760 Easting: 1580831.227

RECORD:
 ORIGIN UNKNOWN
 FD LG.R.R.SPIKE
 3" DOWN
 4/14/03, MC
 SET MAG/WASHER
 5/19/03, MC
 FD MAG/WASHER
 REFD37
 2/16/16, DCH
 SET MAG/WASHER
 10-5-17, JLL

DIST.
 37B-37C=66.30'
 37C-37D= 20.62'
 37B-37D= 86.91'

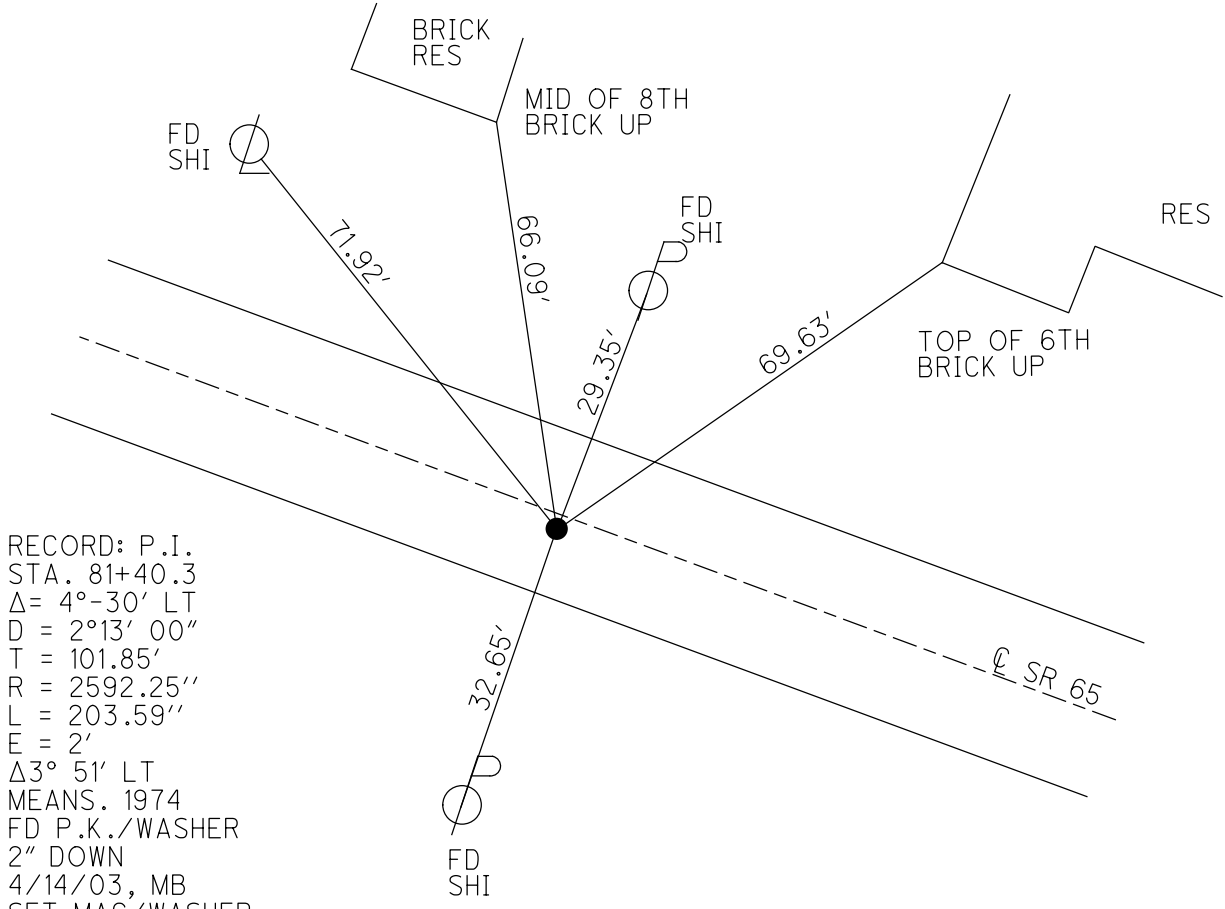
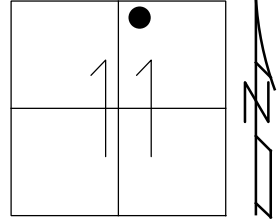


O.D.O.T. DISTRICT 2 SURVEY OFFICE (USE ONLY)

PERSONNEL _____ REFERENCE NO. 38 SHEET 16 OF 24
 NOTES RHOADES DATE 4-28-17 ROUTE SR 65
 H.C. LEU WEATHER FAIR COUNTY HENRY
 R.C. HELDMAN TEMP. 46° TOWNSHIP DAMASCUS
 _____ SECTION 11
 _____ T 5 N R 8 E

TYPE MONUMENT MAG/WASHER
 ON SURFACE - ~~BELOW~~ ON _____
~~LEFT - C~~ PAV'T - RIGHT 1.5'
9.0' TO RT EDGE PAVEMENT
 S.L.M. 983+20.96

Grid: Northing: 604200.162 Easting: 1581129.169

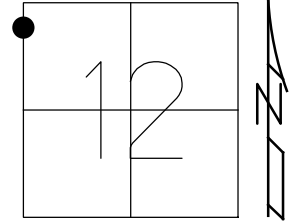


RECORD: P.I.
 STA. 81+40.3
 $\Delta = 4^\circ - 30' \text{ LT}$
 $D = 2^\circ 13' 00''$
 $T = 101.85'$
 $R = 2592.25''$
 $L = 203.59''$
 $E = 2'$
 $\Delta 3^\circ 51' \text{ LT}$
 MEANS. 1974
 FD P.K./WASHER
 2" DOWN
 4/14/03, MB
 SET MAG/WASHER
 5/19/03, MC
 FD MAG/WASHER
 REF38
 2/16/16, DCH
 SET MAG/WASHER
 10-5-17, JLL

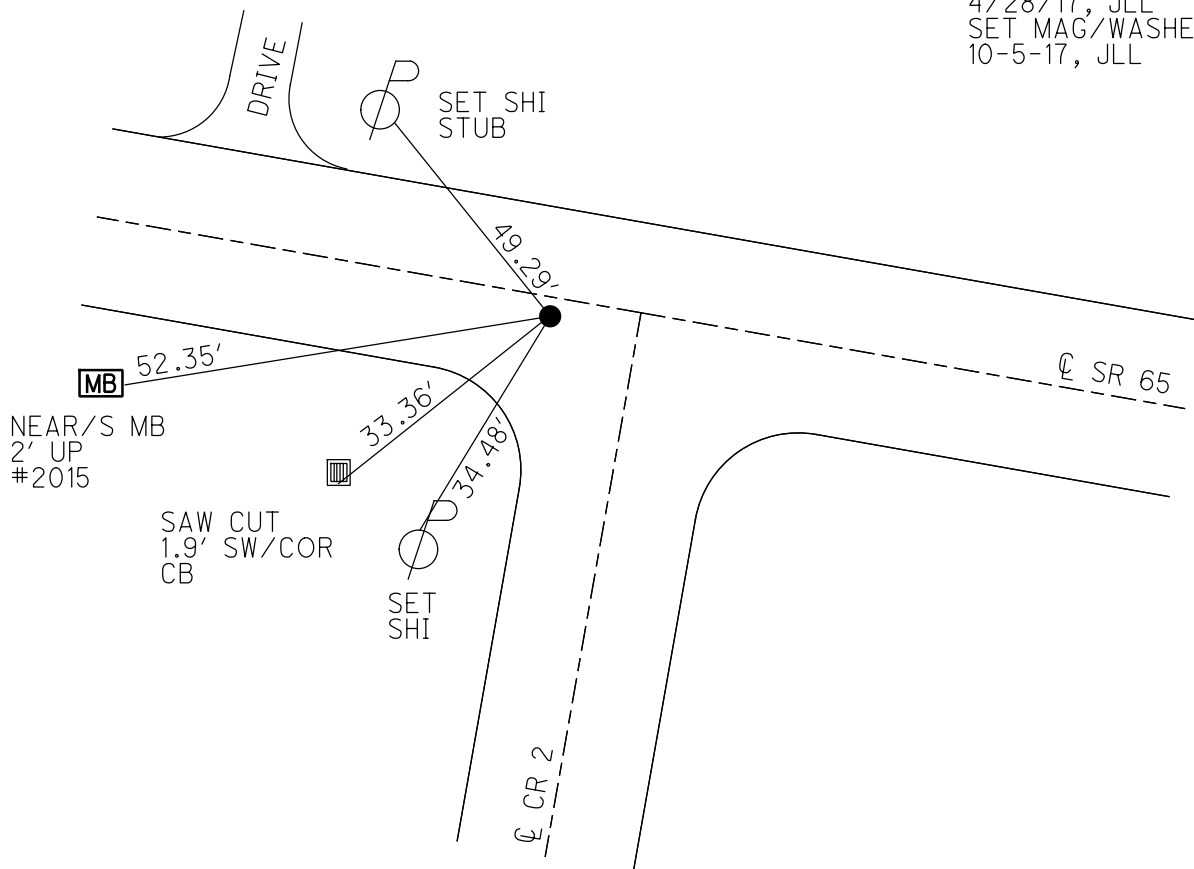
O.D.O.T. DISTRICT 2 SURVEY OFFICE (USE ONLY)

PERSONNEL	REFERENCE NO.	38 A	SHEET	17	OF	24
NOTES	RHOADES	DATE	4-28-17	ROUTE	SR 65	
H.C.	LEU	WEATHER	FAIR	COUNTY	HENRY	
R.C.	HELDMAN	TEMP.	46°	TOWNSHIP	DAMASCUS	
				SECTION	12	
				T	5	N
				R	8	E

TYPE MONUMENT MAG NAIL
 ON SURFACE - ~~BELOW~~ ON
~~LEFT~~ - Q PAV'T - RIGHT 1.1'
11' TO LT EDGE PAVEMENT
 S.L.M. 1010+13.77
 Grid: Northing: 639764.861 Easting: 1583786.633



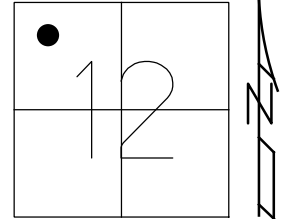
RECORD:
 FD MAG NAIL
 REFA38
 4/28/17, JLL
 SET MAG/WASHER
 10-5-17, JLL



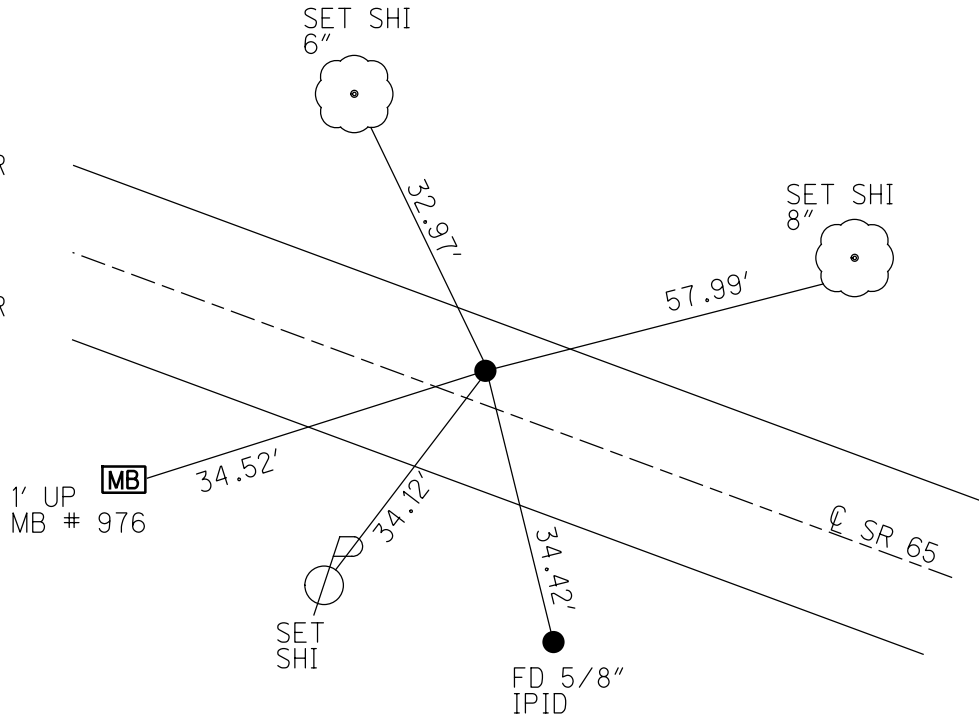
O.D.O.T. DISTRICT 2 SURVEY OFFICE (USE ONLY)

PERSONNEL _____ REFERENCE NO. 39 SHEET 18 OF 24
 NOTES RHOADES DATE 4-28-17 ROUTE SR 65
 H.C. LEU WEATHER FAIR COUNTY HENRY
 R.C. HELDMAN TEMP. 46° TOWNSHIP DAMASCUS
 _____ SECTION 12
 _____ T 5 N R 8 E

TYPE MONUMENT MAG/WASHER
 ON SURFACE - ~~BELOW~~ ON _____
 LEFT - ☉ PAV'T - ~~RIGHT~~ 2.5
6.9' TO LT EDGE PAVEMENT
 S.L.M. 1011+91.88
 Grid: Northing: 639736.044 Easting: 1583962.399



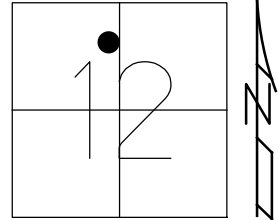
RECORD: P.I.
 DATA FROM 1924 PLAN
 STA. 110+02.3
 $\Delta = 3^\circ 43'$
 $D = 3'$
 $T = 61.94'$
 $R = 1909.12'$
 $L = 123.84'$
 $E = 1'$
 $\Delta = 3^\circ 49' 00''$ LT
 MEAS 1974
 FD P.K./WASHER
 4/14/03, MB
 SET MAG/WASHER
 5/19/03, MC
 FD MAG/WASHER
 REF39
 2/16/16, DCH
 SET MAG/WASHER
 10-5-17, JLL



O.D.O.T. DISTRICT 2 SURVEY OFFICE (USE ONLY)

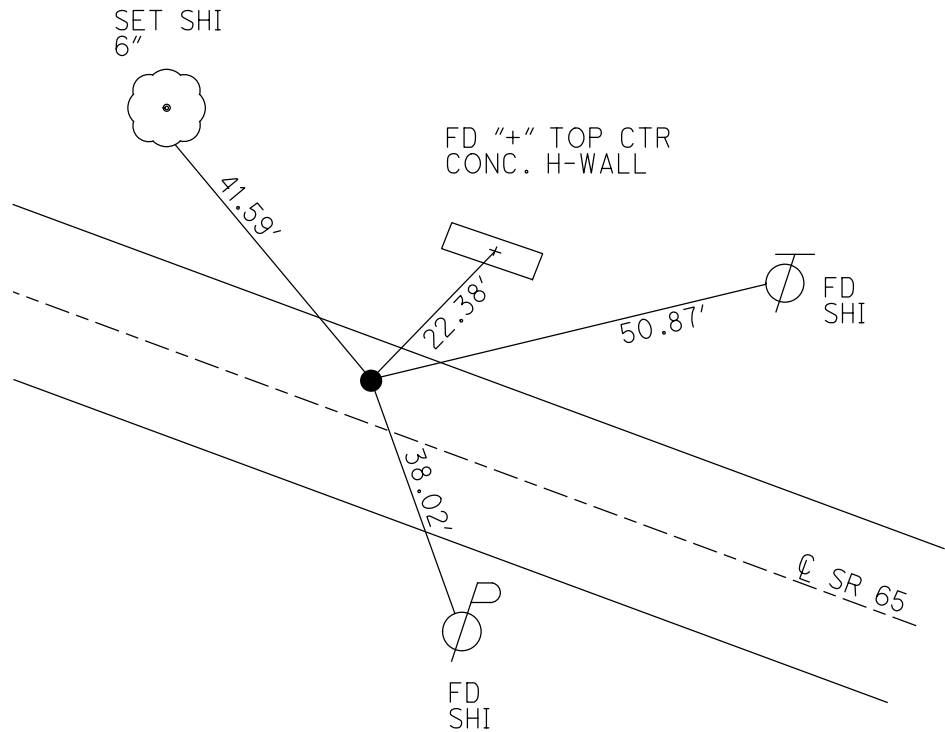
PERSONNEL _____ REFERENCE NO. 39 A SHEET 19 OF 24
 NOTES RHOADES DATE 4-28-17 ROUTE SR 65
 H.C. LEU WEATHER FAIR COUNTY HENRY
 R.C. HELDMAN TEMP. 46° TOWNSHIP DAMASCUS
 _____ SECTION 12
 _____ T 5 N R 8 E

TYPE MONUMENT MAG/WASHER
 ON SURFACE - ~~BELOW~~ ON
 LEFT - ☉ PAV'T - RIGHT 3.8'
5.4' TO LT EDGE PAVEMENT
 S.L.M. 1023+43.65



Grid: Northing: 639474.381 Easting: 1585084.097

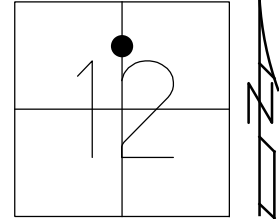
RECORD: P.I.
 DATA FROM 1924 PLAN
 STA. 121+39
 $\Delta = 5^\circ 12'$
 $D = 1^\circ - 11'$
 $T = 220.33'$
 $R = 4852.05'$
 $L = 440.35'$
 $E = 5'$
 $\Delta = 5^\circ 12' 00''$ RT
 MEAS 1974
 SET MAG/WASHER
 5/19/03, MC
 SET MAG NAIL
 REFA39
 2-16-2016, DCH
 SET MAG/WASHER
 10-5-17, JLL



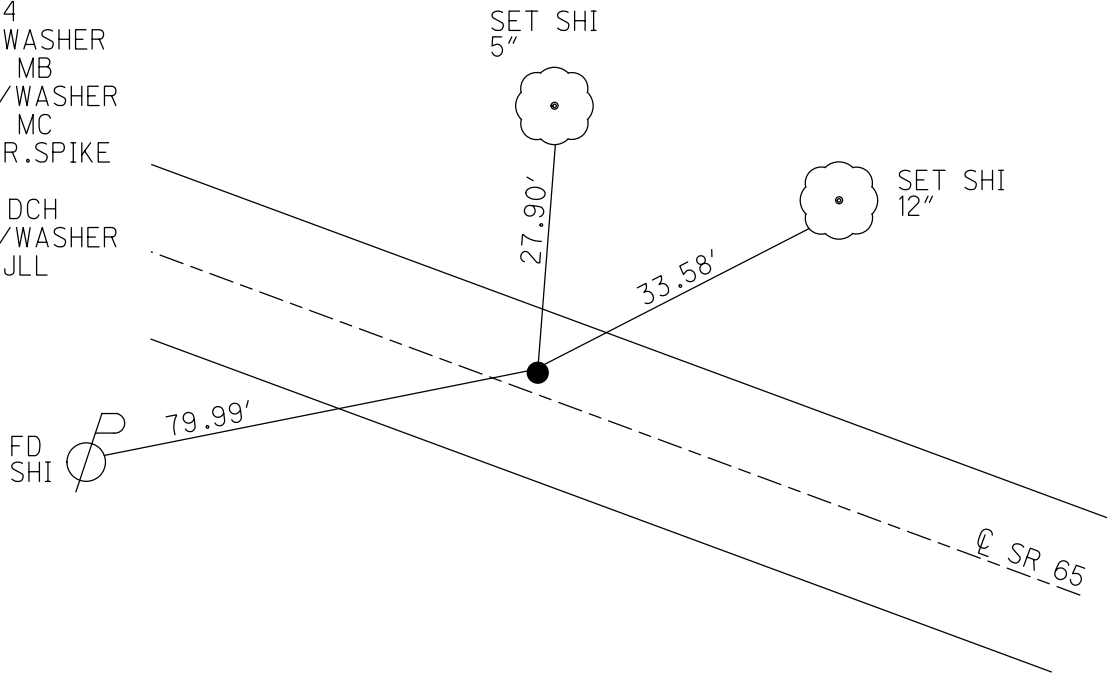
O.D.O.T. DISTRICT 2 SURVEY OFFICE (USE ONLY)

PERSONNEL _____ REFERENCE NO. 39 B SHEET 20 OF 24
 NOTES LEU DATE 2-16-2016 ROUTE SR 65
 H.C. LEU WEATHER CLOUDY COUNTY HENRY
 R.C. HOMAN TEMP. 33° TOWNSHIP DAMASCUS
 _____ SECTION 12
 _____ T 5 N R 8 E

TYPE MONUMENT SM.R.R.SPIKE
~~ON SURFACE~~ - BELOW 5"
 LEFT - ☉ PAV'T - ~~RIGHT~~ 1.8'
8.1' TO LT EDGE PAVEMENT
 S.L.M. 1034+00.55
 Grid: Northing: 639141.650 Easting: 1586087.579



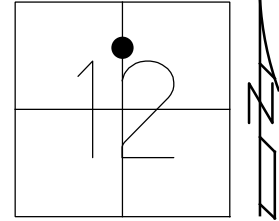
RECORD: P.I.
 DATA FROM 1924 PLAN
 STA. 132+13.8
 $\Delta = 5^{\circ}50' 00''$
 $D = 2^{\circ}28' 00''$
 $T = 118.14'$
 $R = 2318.76'$
 $L = 238.16'$
 $E = 3'$
 $\Delta = 5^{\circ}50' 00''$ RT
 MEAS 1974
 FD P.K./WASHER
 4/14/03, MB
 SET MAG/WASHER
 5/19/03, MC
 FD SM.R.R.SPIKE
 REFB39
 2/16/16, DCH
 SET MAG/WASHER
 10-5-17, JLL



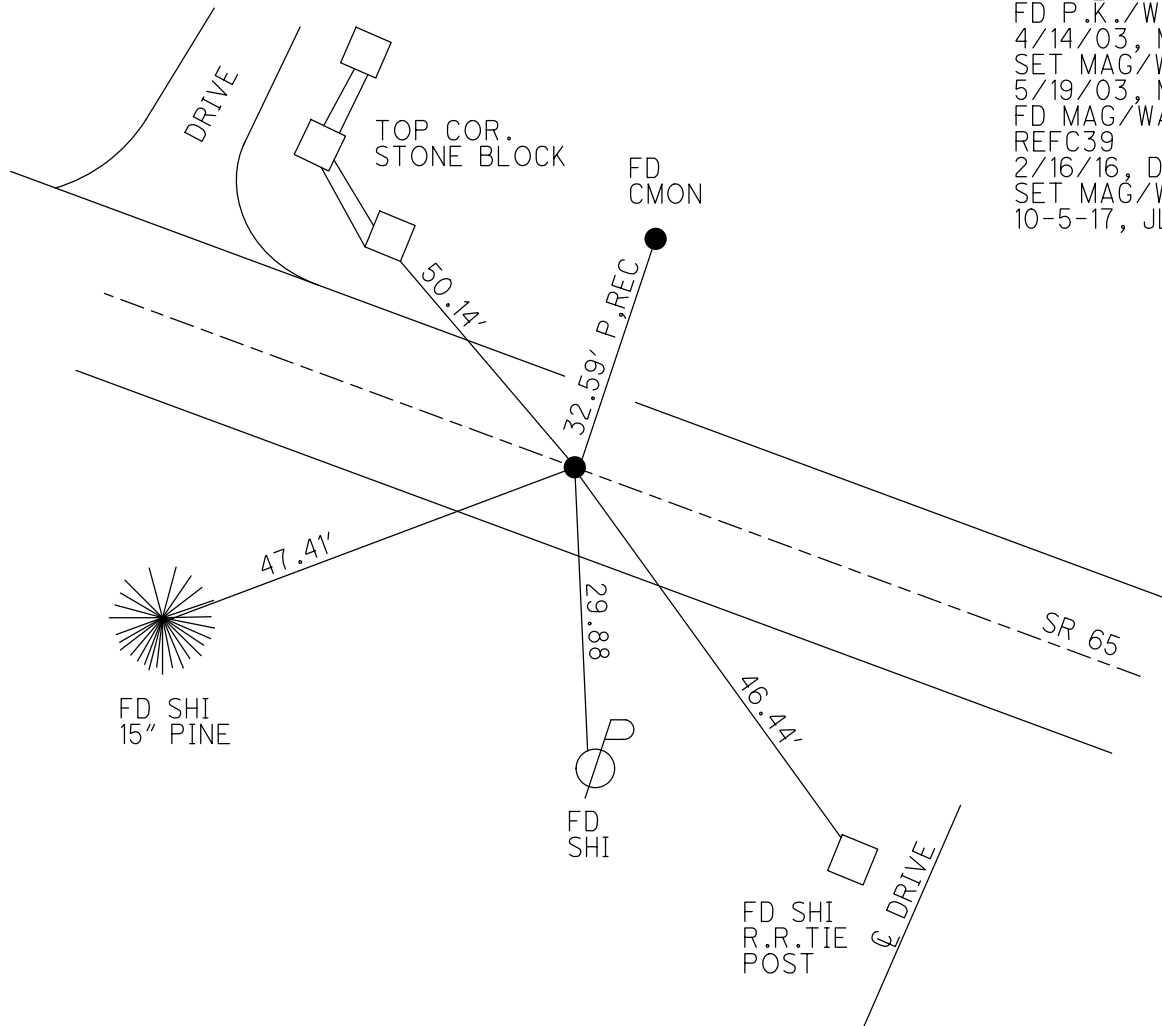
O.D.O.T. DISTRICT 2 SURVEY OFFICE (USE ONLY)

PERSONNEL	REFERENCE NO.	39 C	SHEET	21	OF	24
NOTES	RHOADES	DATE	4-28-17	ROUTE	SR 65	
H.C.	LEU	WEATHER	FAIR	COUNTY	HENRY	
R.C.	HELDMAN	TEMP.	46°	TOWNSHIP	DAMASCUS	
				SECTION	12	
				T	5	N
				R	8	E

TYPE MONUMENT MAG/WASHER
 ON SURFACE - ~~BELOW~~ ON _____
~~LEFT - C~~ PAV'T - ~~RIGHT~~ 0.8'
 10.5' TO LT EDGE PAVEMENT
 S.L.M. 1037+10.42
 Grid: Northing: 638994.295 Easting: 1586416.117



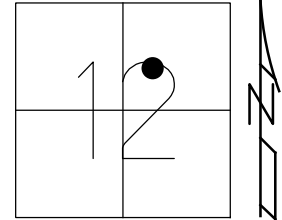
RECORD:
 1974 C RECONST.
 FD P.K./WASHER
 4/14/03, MB
 SET MAG/WASHER
 5/19/03, MC
 FD MAG/WASHER
 REFC39
 2/16/16, DCH
 SET MAG/W
 10-5-17, JLL



O.D.O.T. DISTRICT 2 SURVEY OFFICE (USE ONLY)

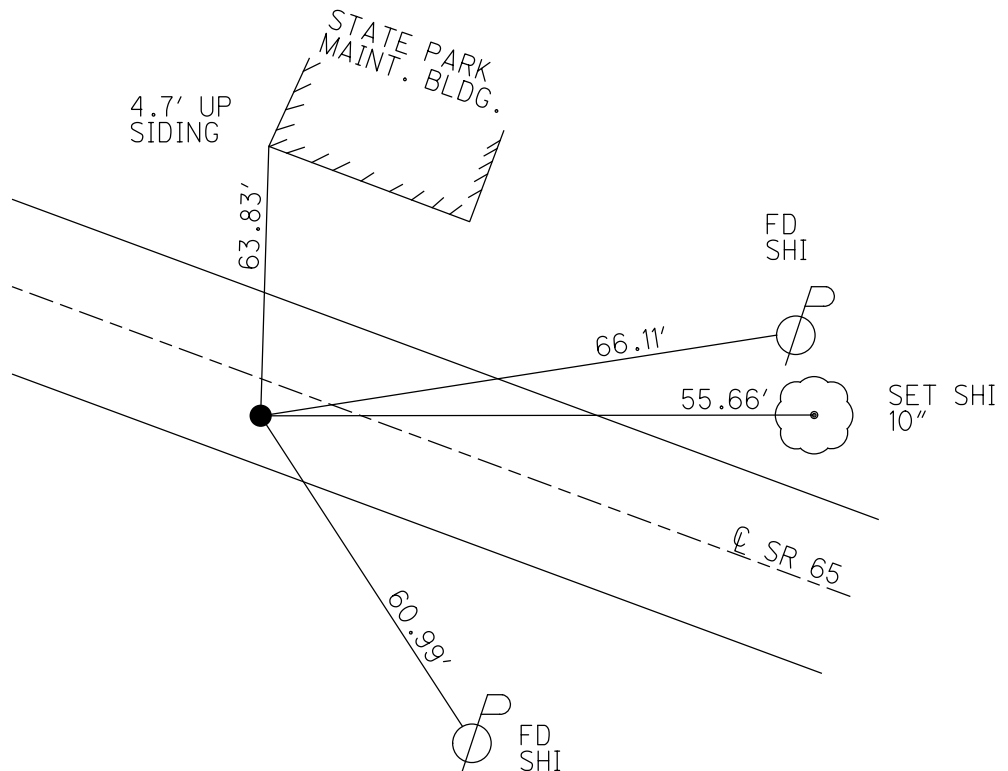
PERSONNEL _____ REFERENCE NO. 39 D SHEET 22 OF 24
 NOTES RHOADES DATE 4-28-17 ROUTE SR 65
 H.C. LEU WEATHER FAIR COUNTY HENRY
 R.C. HELDMAN TEMP. 46° TOWNSHIP DAMASCUS
 _____ SECTION 12
 _____ T 5 N R 8 E

TYPE MONUMENT MAG/WASHER
 ON SURFACE - ~~BELOW~~ ON
~~LEFT~~ - ℄ PAV'T - RIGHT 5.0'
5.1' TO RT EDGE PAVEMENT
 S.L.M. 1041+34.31



Grid: Northing: 638841.110 Easting: 1586757.184

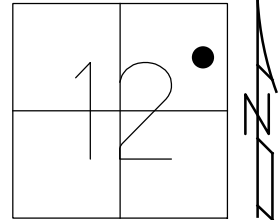
RECORD: P.I.
 DATA 1924 PLAN
 STA. 139+48
 $\Delta = 1^{\circ}54' 00''$
 $\Delta = 2^{\circ}00' 40''$ LT
 MEANS. 1974
 FD P.K.NAIL
 4/14/03, MB
 SET MAG/WASHER
 5/19/03, MC
 FD MAG/WASHER
 REFD39
 2/16/16, DCH
 SET MAG/WASHER
 10-5-17, JLL



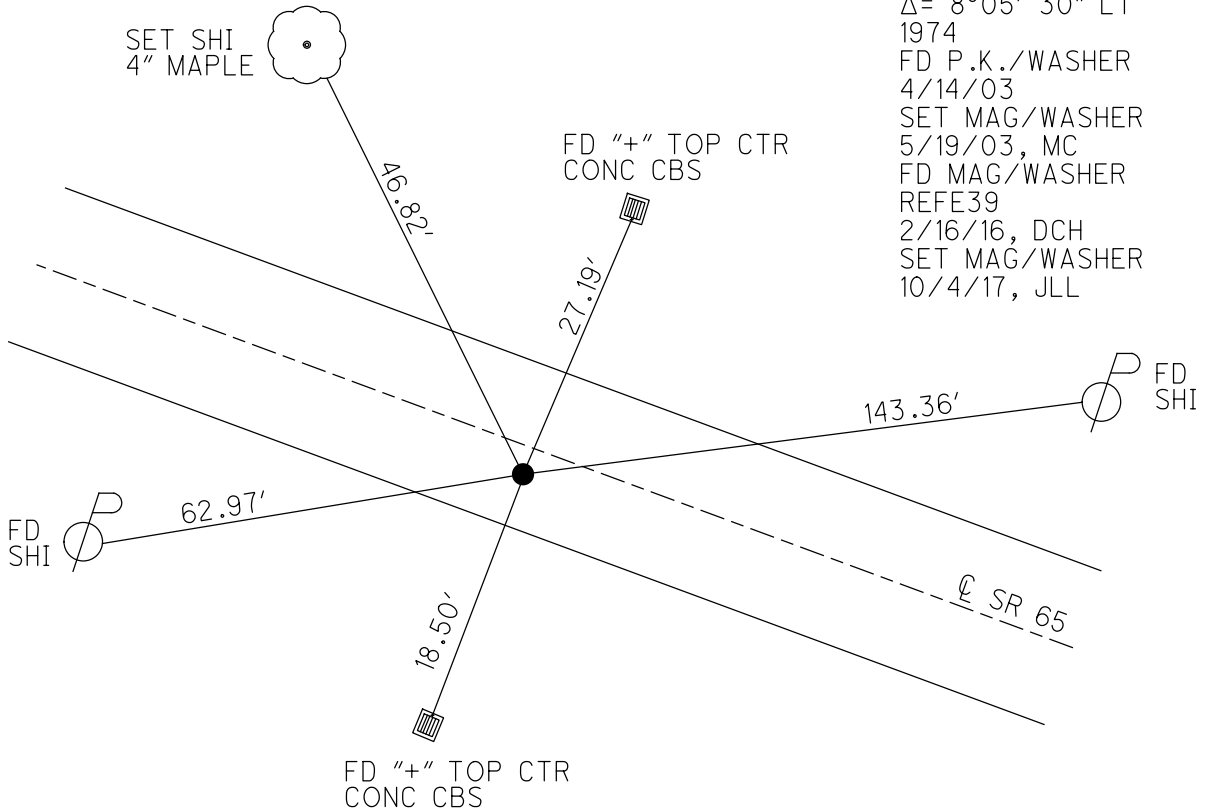
O.D.O.T. DISTRICT 2 SURVEY OFFICE (USE ONLY)

PERSONNEL _____ REFERENCE NO. 39 E SHEET 23 OF 24
 NOTES RHOADES DATE 4-28-17 ROUTE SR 65
 H.C. LEU WEATHER FAIR COUNTY HENRY
 R.C. HELDMAN TEMP. 46° TOWNSHIP DAMASCUS
 _____ SECTION 12
 _____ T 5 N R 8 E

TYPE MONUMENT MAG/WASHER
 ON SURFACE - ~~BELOW~~ ON _____
~~LEFT - C~~ PAV'T - RIGHT 5.6'
5.4' TO RT EDGE PAVEMENT
 S.L.M. 1052+65.17
 Grid: Northing: 638414.488 Easting: 1587804.490



RECORD: P.I.
 DATA FROM 1924 PLAN
 STA. 150+92.2
 $\Delta = 8^{\circ}17' 00''$ LT
 D = 5'1" 00"
 T = 82.80'
 R = 1143.38'
 L = 165.30'
 E = 3'
 $\Delta = 8^{\circ}05' 30''$ LT
 1974
 FD P.K./WASHER
 4/14/03
 SET MAG/WASHER
 5/19/03, MC
 FD MAG/WASHER
 REFE39
 2/16/16, DCH
 SET MAG/WASHER
 10/4/17, JLL

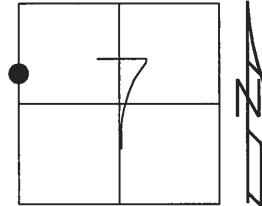


O.D.O.T. DISTRICT 2 SURVEY OFFICE (USE ONLY)

PERSONNEL _____ REFERENCE NO. 40 SHEET 24 OF 24
 NOTES RHOADES DATE 4-28-17 ROUTE SR 65
 H.C. LEU WEATHER FAIR COUNTY WOOD
 R.C. HELDMAN TEMP. 46° TOWNSHIP GRAND RAPIDS
 SECTION 7
 T 5 N R 9 E

TYPE MONUMENT MAG/WASHER
 ON SURFACE - ~~BELOW~~ ON _____
~~LEFT~~ - ☉ PAV'T - RIGHT 2.4'
12.5 TO LT EDGE PAVEMENT
 S.L.M. 1065+91.26

Grid: Northing: 638092.128 Easting: 1589091.079



WOO 65 REF 1

