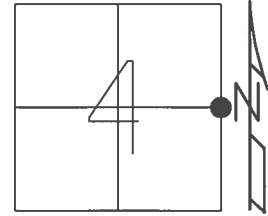


O.D.O.T. DISTRICT 2 SURVEY OFFICE (USE ONLY)

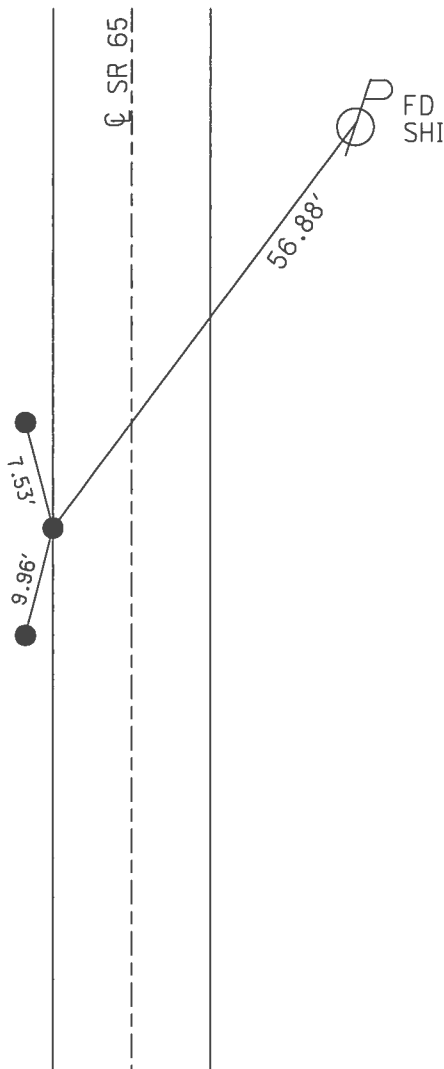
PERSONNEL	REFERENCE NO.	<u>24</u>	SHEET	<u>27</u>	OF	<u>42</u>
NOTES	<u>HUSS</u>	DATE	<u>7/11/12</u>	ROUTE	<u>SR 65</u>	
H.C.	<u>HUSS</u>	WEATHER	<u>CLEAR</u>	COUNTY	<u>HENRY</u>	
R.C.	<u>CANTERBURY</u>	TEMP.	<u>78°</u>	TOWNSHIP	<u>RICHFIELD</u>	
	<u>COUTCHER</u>			SECTION	<u>4</u>	
	<u>HARBAUGH</u>			T	<u>4</u>	R
					<u>N</u>	<u>8</u>
					<u>E</u>	

TYPE MONUMENT MAG/WASHER
~~ON SURFACE~~ - BELOW 5"
 LEFT - C PAV'T - ~~RIGHT~~ 9.7'
0' TO LT EDGE PAVEMENT
 S.L.M. 609+10
 GRID: NORTHING: 610999.538 EASTING: 1572642.933



RECORD:
 R.R.SPIKE SET
 BY COUNTY ENGR.
 10/7/02
 SET MAG/WASHER
 11/14/02, MB
 FD MAG/WASHER
 7/11/12, MC
 D.N.F. POINT
 5/12/17, JFO
 SET MAG/WASHER
 RECRE24
 9/26/17, JFO

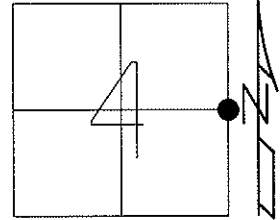
FD 5/8" IPINS
 ON DITCH BANK
 ±2' W.OF EB



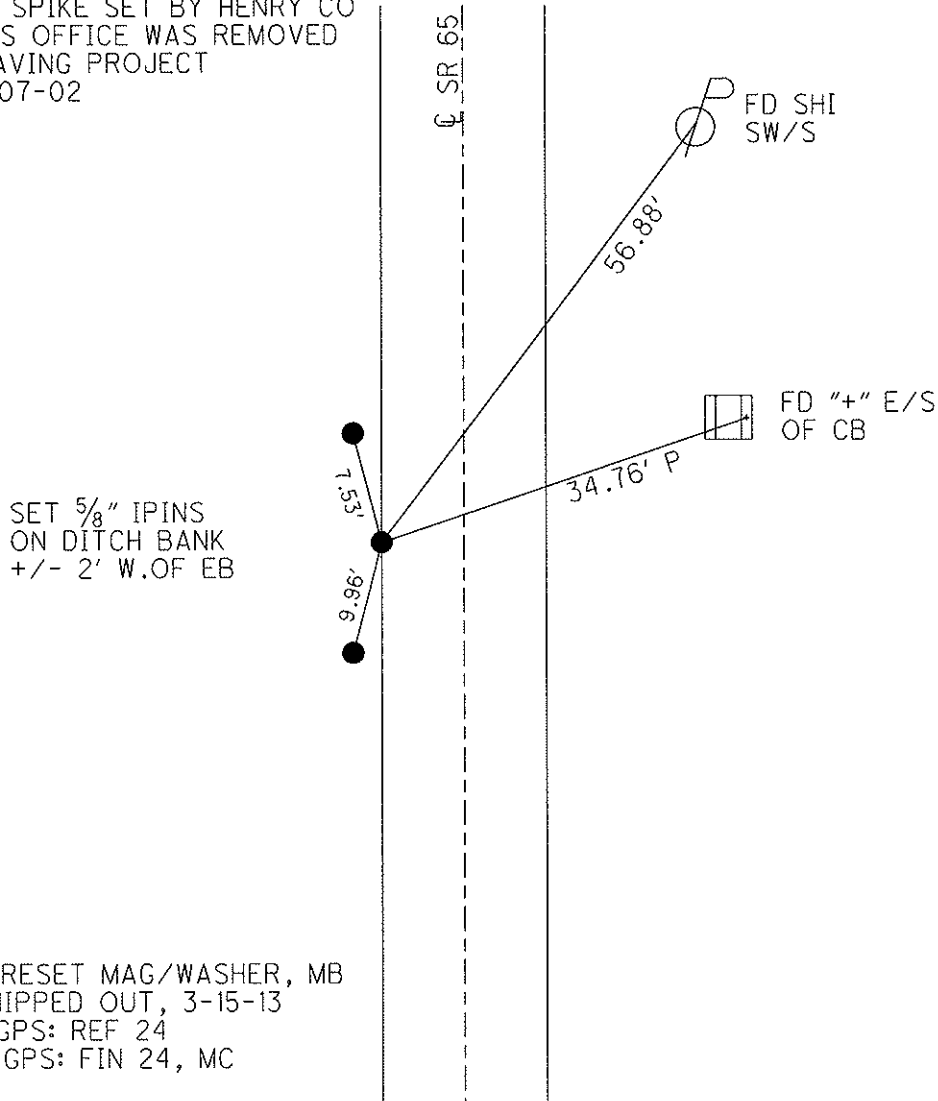
O.D.O.T. DISTRICT 2 SURVEY OFFICE (USE ONLY)

PERSONNEL	REFERENCE NO. <u>24</u>	SHEET <u>27</u> OF <u>42</u>
NOTES <u>HUSS</u>	DATE <u>7/11/12</u>	ROUTE <u>SR 65</u>
H.C. <u>HUSS</u>	WEATHER <u>CLEAR</u>	COUNTY <u>HENRY</u>
R.C. <u>CANTERBURY</u>	TEMP. <u>78°</u>	TOWNSHIP <u>RICHFIELD</u>
<u>COUTCHER</u>		SECTION <u>4</u>
<u>HARBAUGH</u>		T <u>4</u> N R <u>8</u> E

TYPE MONUMENT MAG / WASHER
~~ON SURFACE~~ - BELOW 5"
 LEFT - CL PAV'T - ~~RIGHT~~ 9.7', (ON W.EP)
0' TO LT EDGE PAVEMENT
 S.L.M. 609+10
 Grid: Northing: 610999.538 Easting: 1572642.933



RAILROAD SPIKE SET BY HENRY CO
 ENGINEER'S OFFICE WAS REMOVED
 DURING PAVING PROJECT
 DATE: 10-07-02



O.D.O.T. DISTRICT 2 SURVEY OFFICE

PERSONNEL _____

REFERENCE NO. 24

SHEET 25 OF 29

NOTES BARNHISEL RC

H.C. CANTERBURY

R.C. _____

DATE 10-07-02

WEATHER cloudy

TEMP. +55°

ROUTE 65

COUNTY HENRY

TOWNSHIP RICHFIELD

SECTION 4

T 4 N R 8 E

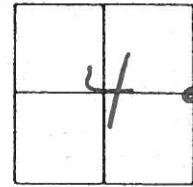
TYPE MONUMENT Lg RR Spk

~~ON SURFACE~~ - BELOW 5"

LEFT- & PAVT. - ~~RIGHT~~ 9.7'

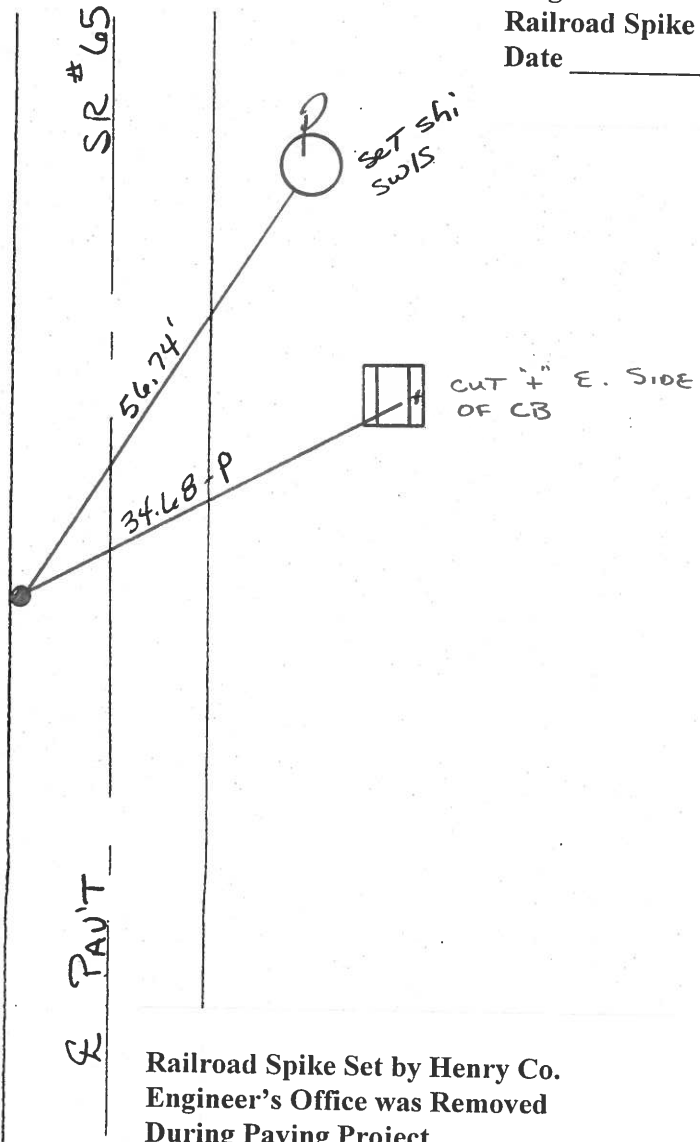
0.6 TO LT. EDGE PAVEMENT

S.L.M. 609+10



*Reset Mag Nail & Washer
11-14-02
MB*

Mag Nail Removed,
Railroad Spike Reset
Date _____



Railroad Spike Set by Henry Co.
Engineer's Office was Removed
During Paving Project
Date 10-07-02

O.D.O.T. DISTRICT 2 SURVEY OFFICE

PERSONNEL

REFERENCE NO. 24

SHEET OF

NOTES BARNHISEL ✓

H.C. " " MC

R.G. HOFFMAN MB

DATE 4-11-90

WEATHER Sunny cloudy

TEMP. +40° +55

ROUTE 65

COUNTY Henry

TOWNSHIP Richfield

SECTION 4

T 4 N R 8 E

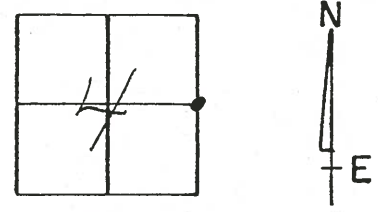
TYPE MONUMENT P.K. & Washer ^{Lg RR Spk} ~~Removed~~

ON SURFACE - BELOW yes 5"

LEFT- & PAV'T. - RIGHT 9.7 ✓

O.G. TO LT EDGE PAVEMENT

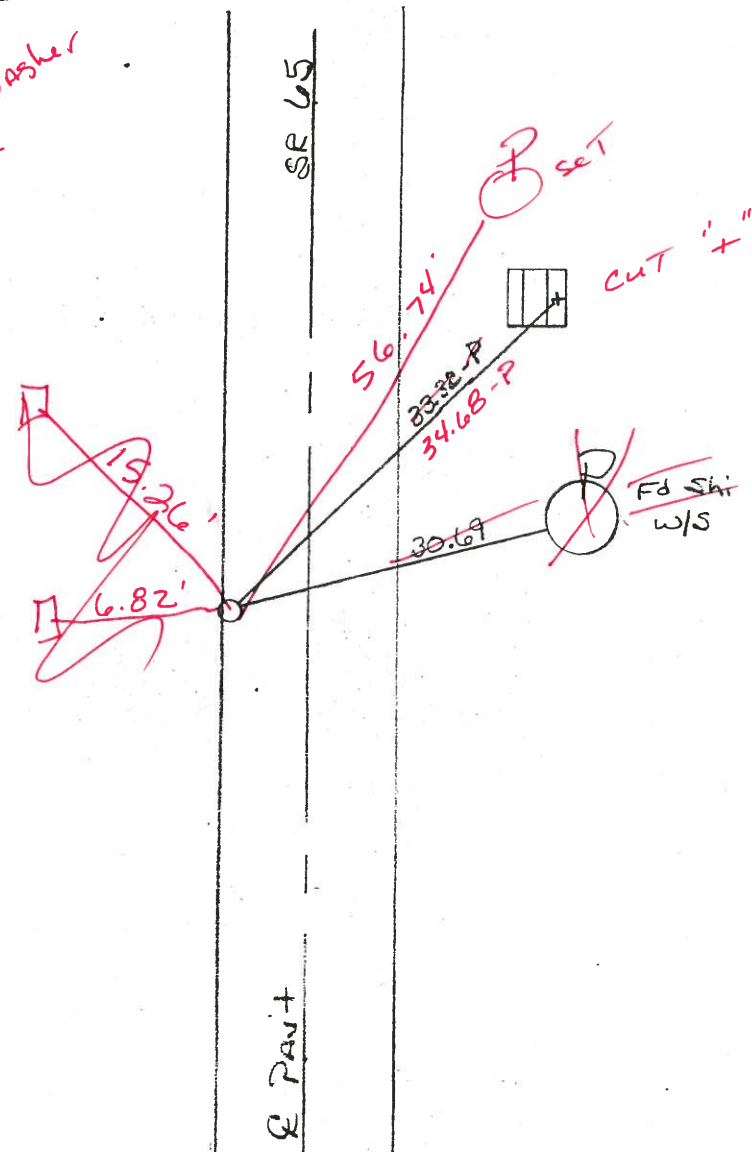
S.L.M. ~~609+21~~ ~~609+57~~ 609+10



Set P.K. & Washer
5-15-90
MB

Reset Magnet/washer
11-14-02
MB

DESS



Q.D.O.T. DISTRICT 2 SURVEY OFFICE

SHEET _____ OF _____

County HENRY S.R. 65

Date 1-27-84

Township RICHFIELD

Weather Cloudy

Section 4

Temp. 30°

T4N, R8E

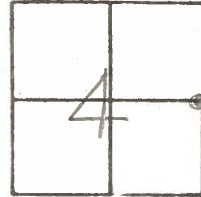
Personnel HOFFMAN

LOEHRKE H.C.

HOUSEHOLDER R.C.

BARNHISEL

24



Fd. CTR. PUNCHED R.R. SPK set by County

SLM = 609+18

@ SURFACE

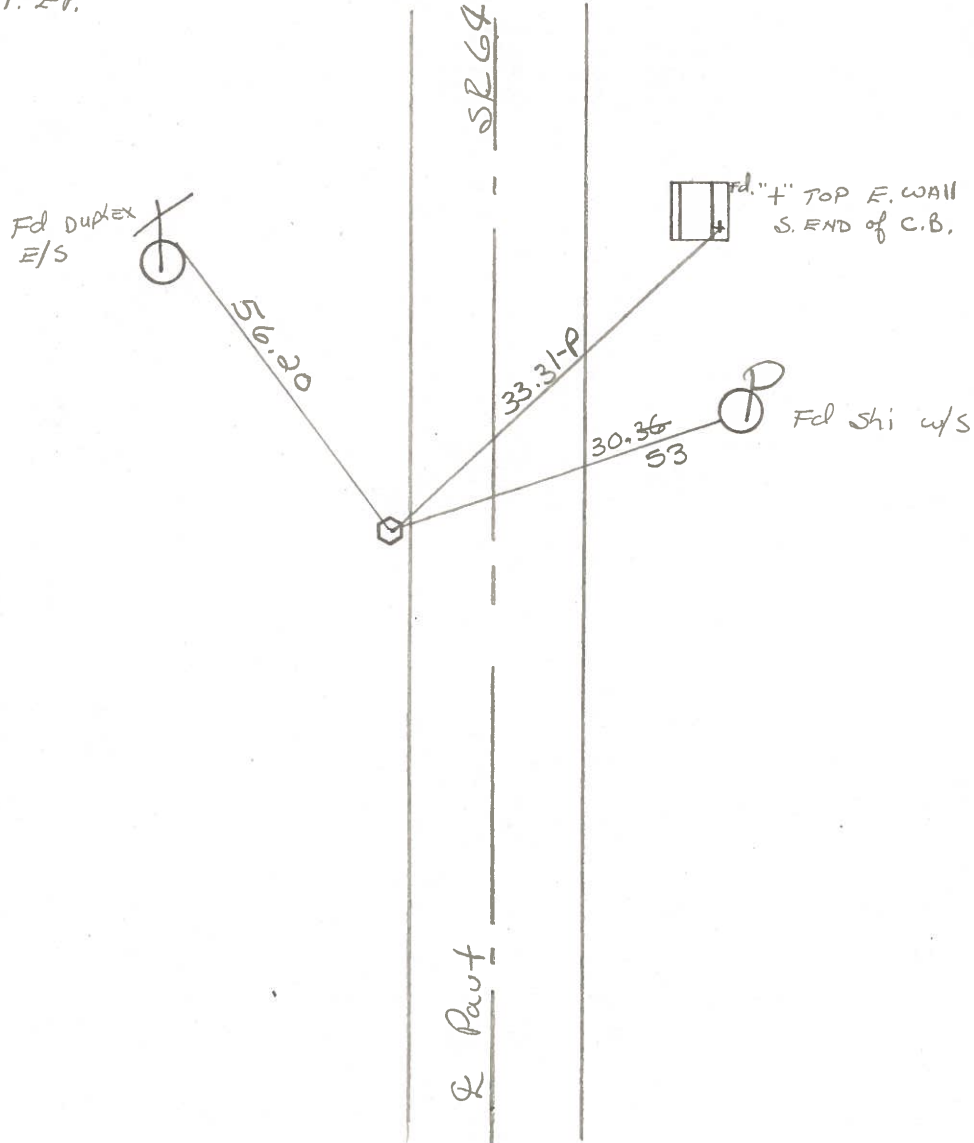
SET PK/WASHER

9.7' Lt. of & Pavt

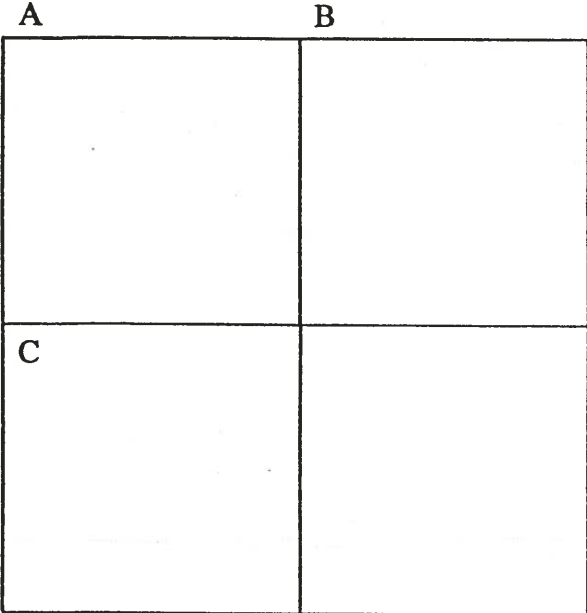
0.5' Lt. of Lt. EP.

8-28-84

SW.H.



25.A



24

COUNTY: HENRY

TOWNSHIP: RICHFIELD

T- 4 -N R- 8 - E

SECTION: 3

8/20/79 R.W., J.J., C.S.

B - Found stone (6'x6"x15") 20" below road surface. Placed center punched RR spike on surface over high point of stone. Pk's 6' northeast and northwest. Stone is 0.6' north of south edge 12' pavement.

- 38.89' N.N.E. to "+" in large stone (15"x15"x15"). (P)
- 73.12' N.E. to duplex w/s buried cable marker.
- 60.82' E.S.E. to near face Twp. Rd. sign post. GONE
- 32.56' S.S.E. to duplex n/s power pole.
- 30.87' E. to S¼ Post, Sec. 34; Richfield Twp.
- 7/13/88 R.W., S.K., K.A.
- 18.41' N.W. to 5/8" iron pin 3' north of pavement.
- 38.86' N.N.E. to "+" in large stone (15"x15"x15"). (P)
- 73.25' N.E. to duplex w/s buried cable marker.
- 32.96' S.S.E. to duplex (new) w/s power pole.

8/1/79 R.W., J.J., G.M.

24

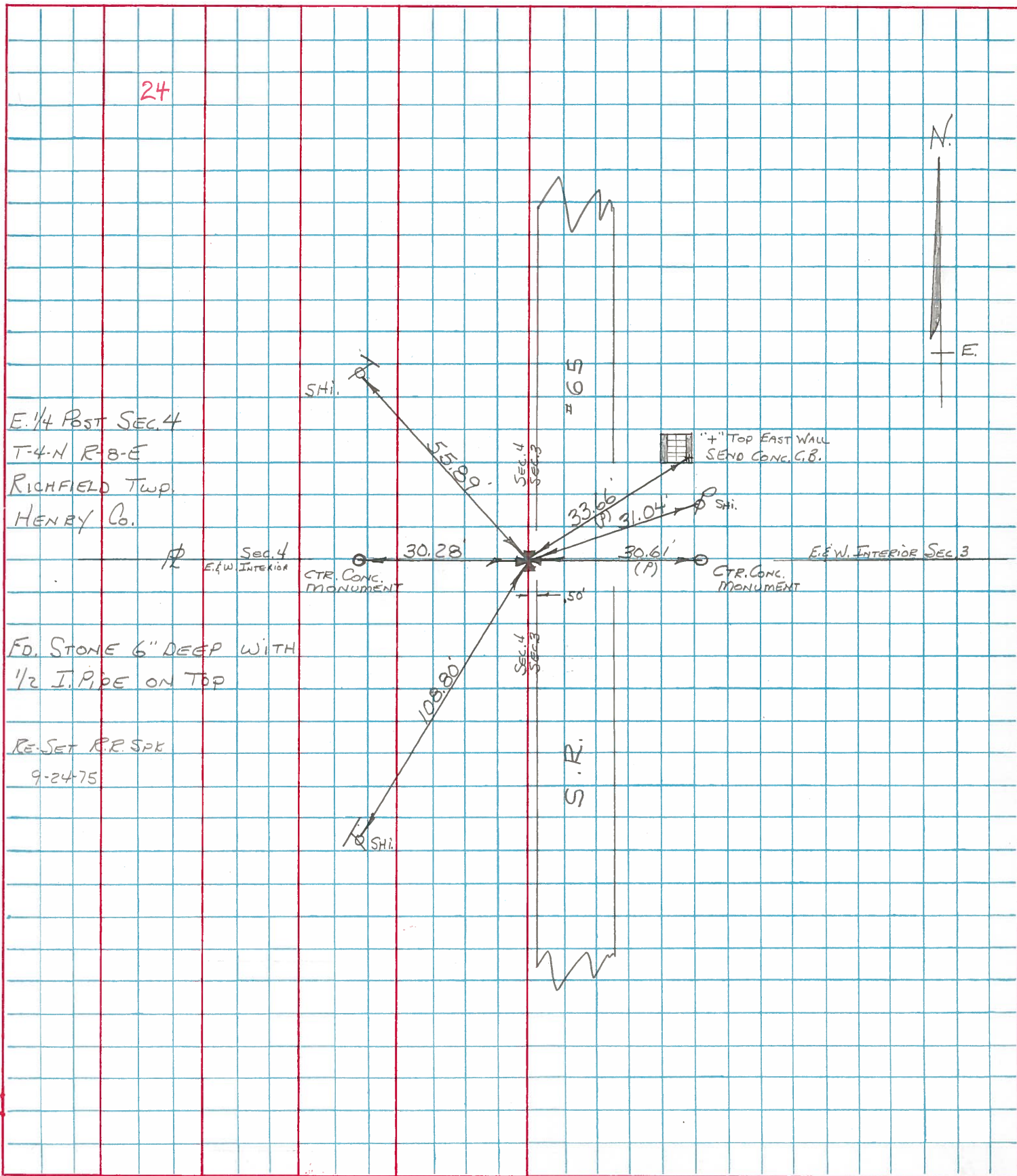
C - Found recorded iron pipe over small stone 0.63' west of high point of true stone (4"x7"x16") 16" below road surface. Found iron pipe on s/s of small stone. Removed iron pipes and small stone. Placed center punched RR spike on surface over high point of stone. Pk's 6' northeast and southeast. Stone is 0.6' west of west edge 18' pavement.

- 30.59' W. to center conc. R/W monument. (P)
- 56.28' N.W. to duplex e/s telephone pole.
- 33.25' N.E. to "+" south end, east wall catch basin. (P)
- 30.46' E.N.E. to shiner w/s power pole.
- 29.92' E. to center conc. R/W monument. (P)
- 7/13/88 R.W., S.K., K.A.
- Found nail/shiner and Pk's northeast and southeast.
- 33.30' N.E. to "+" south end east wall of catch basin. (P)
- 30.47' E.N.E. to nail/shiner w/s power pole.
- 26.93' S.E. to 5/8" iron pin at east edge pavement.

PERSONNEL	TITLE	PERSONNEL	TITLE
BURNSIDE			
SMITH			
BOWERS			
MEAD			

COUNTY HENRY DATE 5-5-75
 S. R. 65 WEATHER Cloudy
 SEC. E. 1/4 Post SEC. 4 TEMP. +56°
 (RICHFIELD TWP.)

DESCRIPTION REF. TO SECTION CORNER JOB NO. _____
 LEFT CENTER LINE RIGHT



24
 E. 1/4 Post SEC. 4
 T-4-N R-8-E
 RICHFIELD Twp.
 HENRY Co.

FD. STONE 6" DEEP WITH
 1/2 I. PIPE ON TOP

RE-SET R.R. SPK
 9-24-75

"+" TOP EAST WALL
 SEND CONC. G.B.



PERSONNEL TITLE PERSONNEL TITLE
 BURNSIDE _____
 SMITH _____
 BOWERS _____

COUNTY HENRY DATE 4-25-74
 S. R. 65 WEATHER Pt. Cloudy
 SEC. _____ TEMP. +60°

DESCRIPTION \neq CONTROL POINTS LEFT CENTER LINE RIGHT JOB NO. _____

