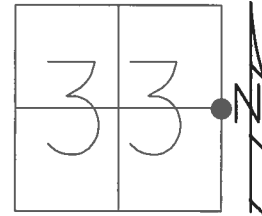


O.D.O.T. DISTRICT 2 SURVEY OFFICE (USE ONLY)

PERSONNEL \_\_\_\_\_ REFERENCE NO. 26 SHEET 31 OF 42

NOTES RHOADES DATE 5/9/17 ROUTE SR 65  
 H.C. O'DONNELL WEATHER SUNNY COUNTY HENRY  
 R.C. RHOADES TEMP. 47° TOWNSHIP DAMASCUS  
 \_\_\_\_\_ SECTION 33  
 \_\_\_\_\_ T 5 N R 8 E

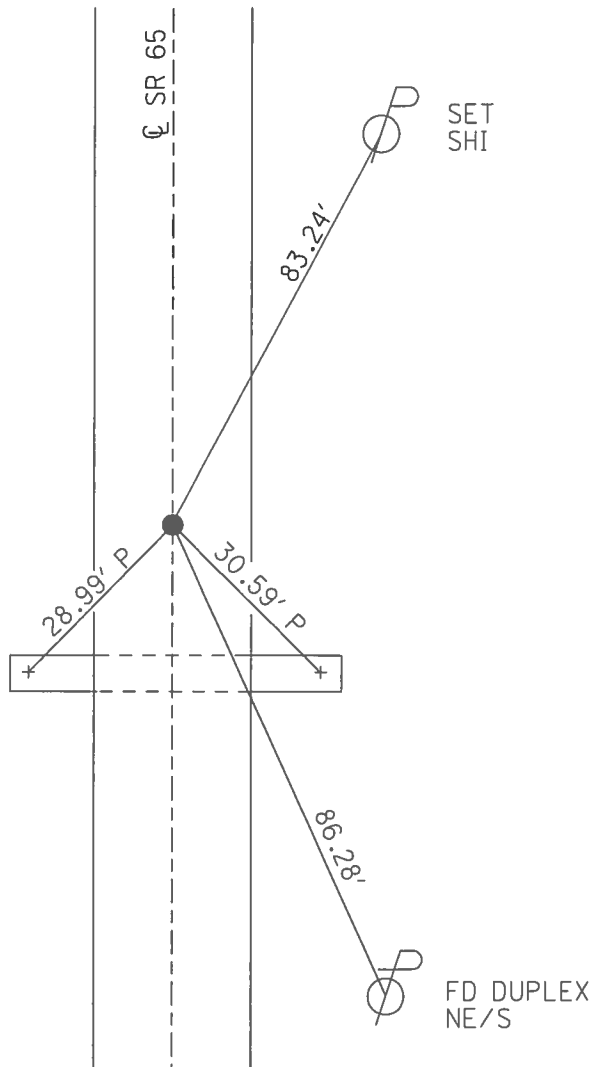
TYPE MONUMENT MAG/WASHER  
 ON SURFACE - ~~BELOW~~ ON  
 LEFT - ☉ PAV'T - RIGHT ON  
10.3' TO RT EDGE PAVEMENT  
 S.L.M. 663+04



GRID: NORTHING: 616391.300 EASTING: 1572774.504

RECORD:  
 FD MAG/WASHER  
 10/7/02, DCH  
 FD MAG/WASHER  
 7/11/12, MC  
 POINT CHIPPED OUT  
 3/15/13, MC  
 FD MAG/WASHER  
 REF26  
 5/12/17, JFO  
 SET MAG/WASHER  
 9/26/17, JFO

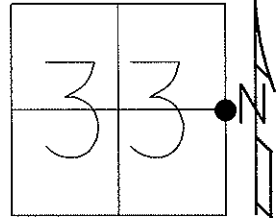
FD "+" CUT ON BOTH  
 ENDS OF 84" CONC. PIPE



O.D.O.T. DISTRICT 2 SURVEY OFFICE (USE ONLY)

PERSONNEL	REFERENCE NO. <u>26</u>	SHEET <u>31</u> OF <u>42</u>
NOTES <u>BARNHEISEL</u>	DATE <u>10/7/02</u>	ROUTE <u>SR 65</u>
H.C. <u>CANTERBURY</u>	WEATHER <u>SUNNY</u>	COUNTY <u>HENRY</u>
R.C. <u>BARNHEISEL</u>	TEMP. <u>59°</u>	TOWNSHIP <u>DAMASCUS</u>
		SECTION <u>33</u>
		T <u>5</u> N R <u>8</u> E

TYPE MONUMENT MAG / WASHER  
 ON SURFACE - ~~BELOW~~ ON  
 LEFT - Q PAV'T - RIGHT ON  
10.3' TO RT EDGE PAVEMENT  
 S.L.M. 663+04

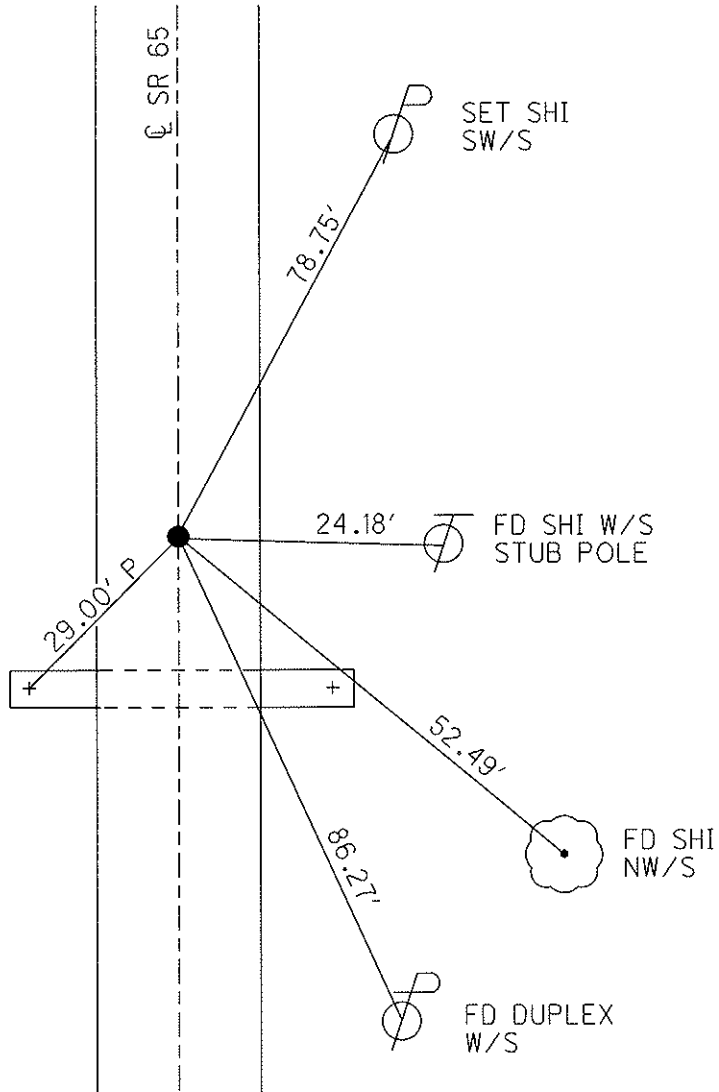


Grid: Northing: 616391.335 Easting: 1572774.450

GPS, REF 26  
7/11/12, MC

POINT CHIPPED OUT  
GPS, FIN 26  
3/15/13, MC

FD "+" CUT ON BOTH  
ENDS OF 84" CONC. PIPE



O.D.O.T. DISTRICT 2 SURVEY OFFICE

PERSONNEL

REFERENCE NO. 26

SHEET 28 OF 29

NOTES BARNHISEL RC

H.C. CANTERBURY

DATE 10-07-02

ROUTE 65

R.C. \_\_\_\_\_

WEATHER Sunny

COUNTY HENRY

\_\_\_\_\_

TEMP. +59°

TOWNSHIP DAMACUS

\_\_\_\_\_

SECTION 33

T 5 N R 8 E

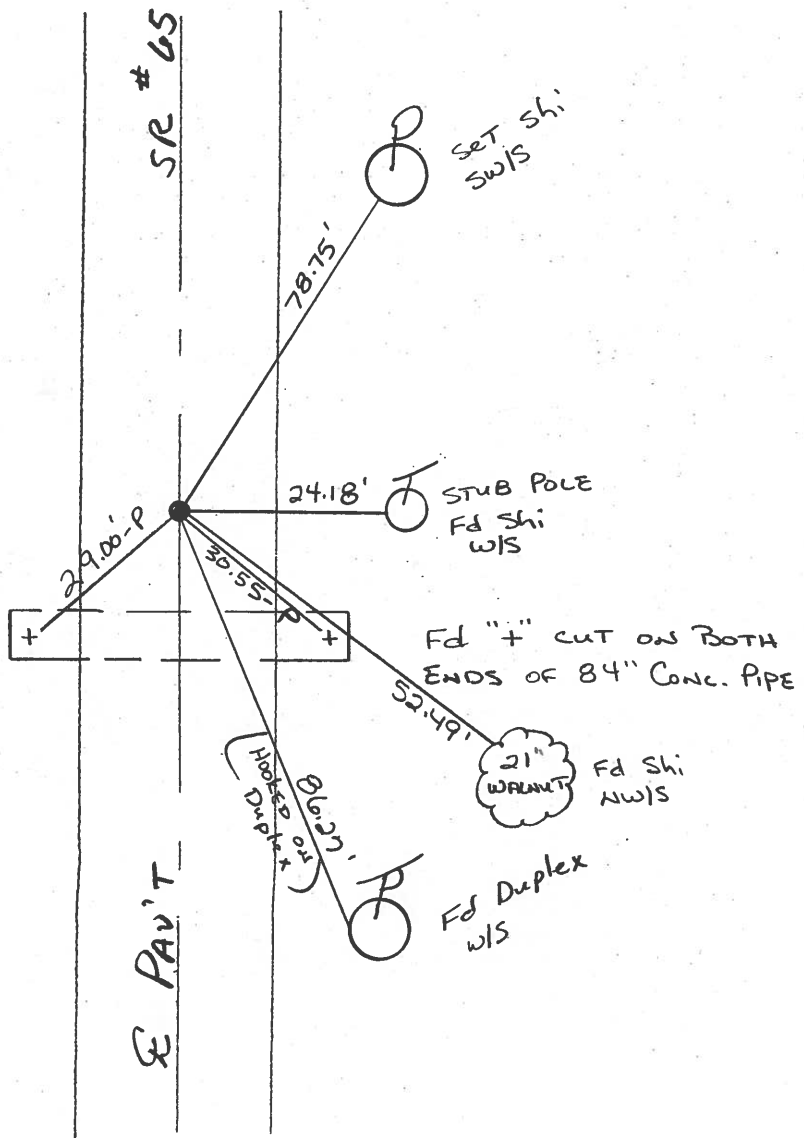
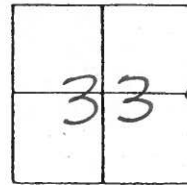
TYPE MONUMENT PK & WASHER

ON SURFACE - ~~BELOW~~ yes

~~LEFT - & PAV'T. - RIGHT~~ yes

10.3' TO RT. EDGE PAVEMENT

S.L.M. 663+04



# O.D.O.T. DISTRICT 2 SURVEY OFFICE

PERSONNEL \_\_\_\_\_ REFERENCE NO. 26 SHEET \_\_\_\_\_ OF \_\_\_\_\_

NOTES BARNHISEL ✓

H.C. " " MC DATE 10-07-02

R.C. Hoffman MB WEATHER cloudy Sunny ROUTE 65

TEMP. +40° +59 COUNTY HEMP

TOWNSHIP DAMACUS

SECTION 33

T S N R B E

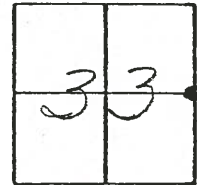
TYPE MONUMENT P.K. & Washer ✓

ON SURFACE - ~~BELOW~~ yes ✓

LEFT- ~~C~~ PAV'T. - RIGHT 0.7 E

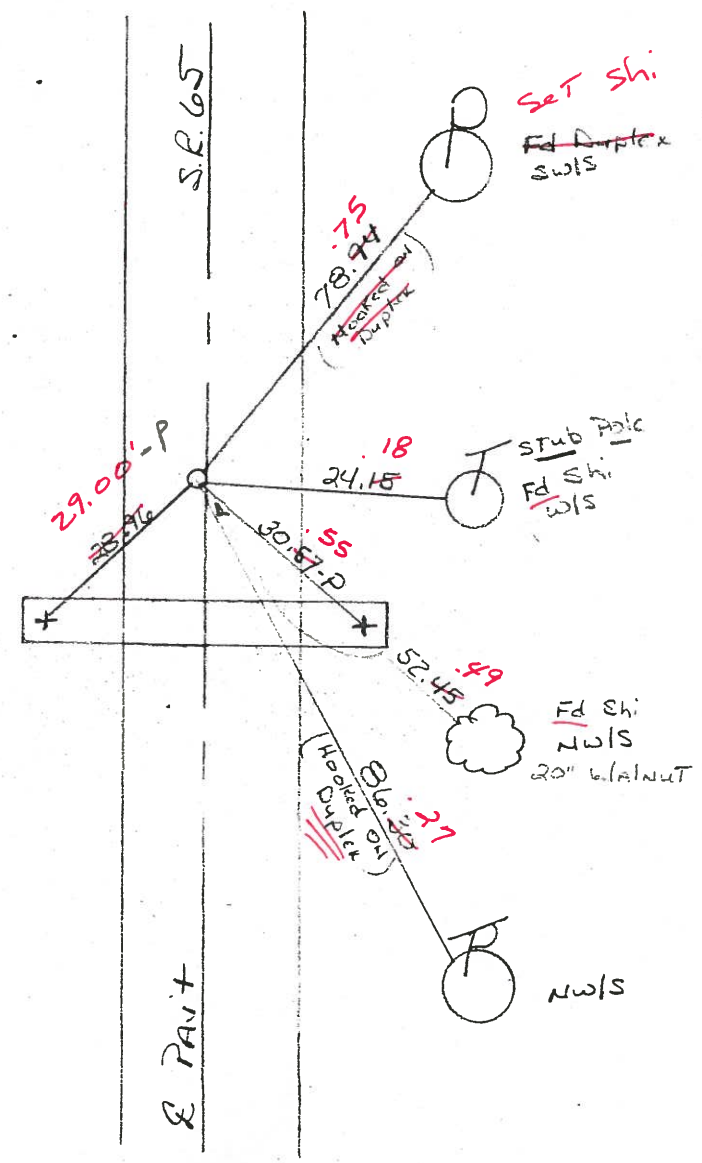
10.3' ~~9.9~~ TO RT ~~LT~~ EDGE PAVEMENT

S.L.M. ~~663+75~~ ~~656+75~~ 663+04



Set P.K. & Washer  
5-15-70  
P.K.

Fd "4" ON W/E/END  
OF 84" CONC PIPE



Q.D.O.T. DISTRICT 2 SURVEY OFFICE

SHEET \_\_\_\_\_ OF \_\_\_\_\_

County HENRY S.R. 65

Date 2-1-84

Township DAMASCUS

Weather Cloudy

Section 33

Temp. +18°

TSN, RBE

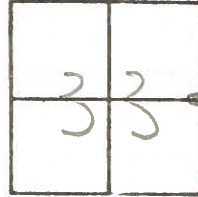
Personnel HOFFMAN

LOEHRKE H.C.

HOUSEHOLDER R.C.

BARNHISEL

#  
26

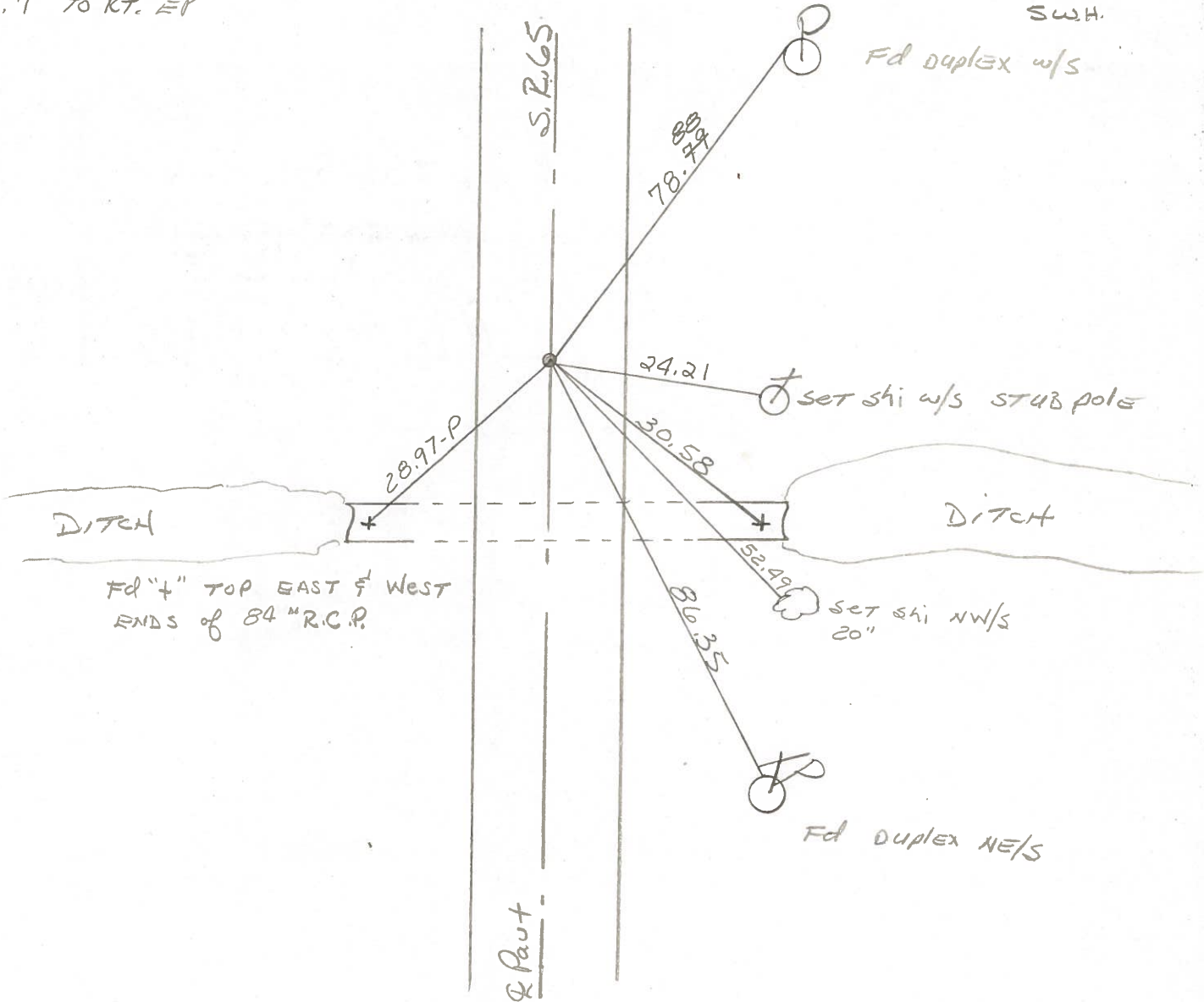


Fd. P.K. Nail on surface

S.L.M. 663 + 11

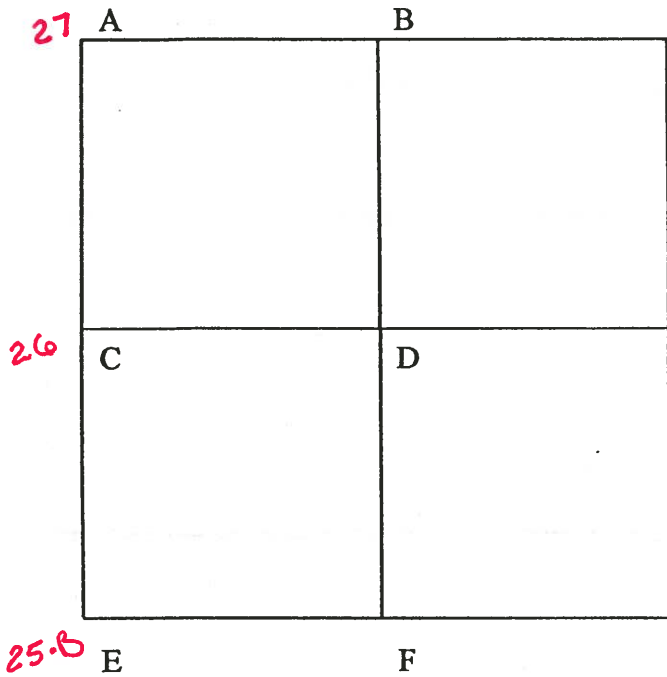
on & part  
8.9' to Lt. EP.  
8.7' to Rt. EP

SET PK/WASHER  
8-28-84  
SWH.



Fd "+" TOP EAST & West  
ENDS of 84" R.C.P.

Fd duplex NE/S



COUNTY: HENRY

TOWNSHIP: DAMASCUS

T- 5 -N R- 8 -E

SECTION: 34

7/8/80 R.W., C.S.

- C - Found P.K. nail established by R. Burnside, O.D.O.T. after digging for stone.  
 78.85' N.N.E. to duplex W/S power pole  
 30.55' S.E. to "+" east end of 84" R.C.P. (P)  
 86.30' S.S.E. to duplex NE/S power pole  
 28.93' S.W. to "+" west end of 84" R.C.P. (P)

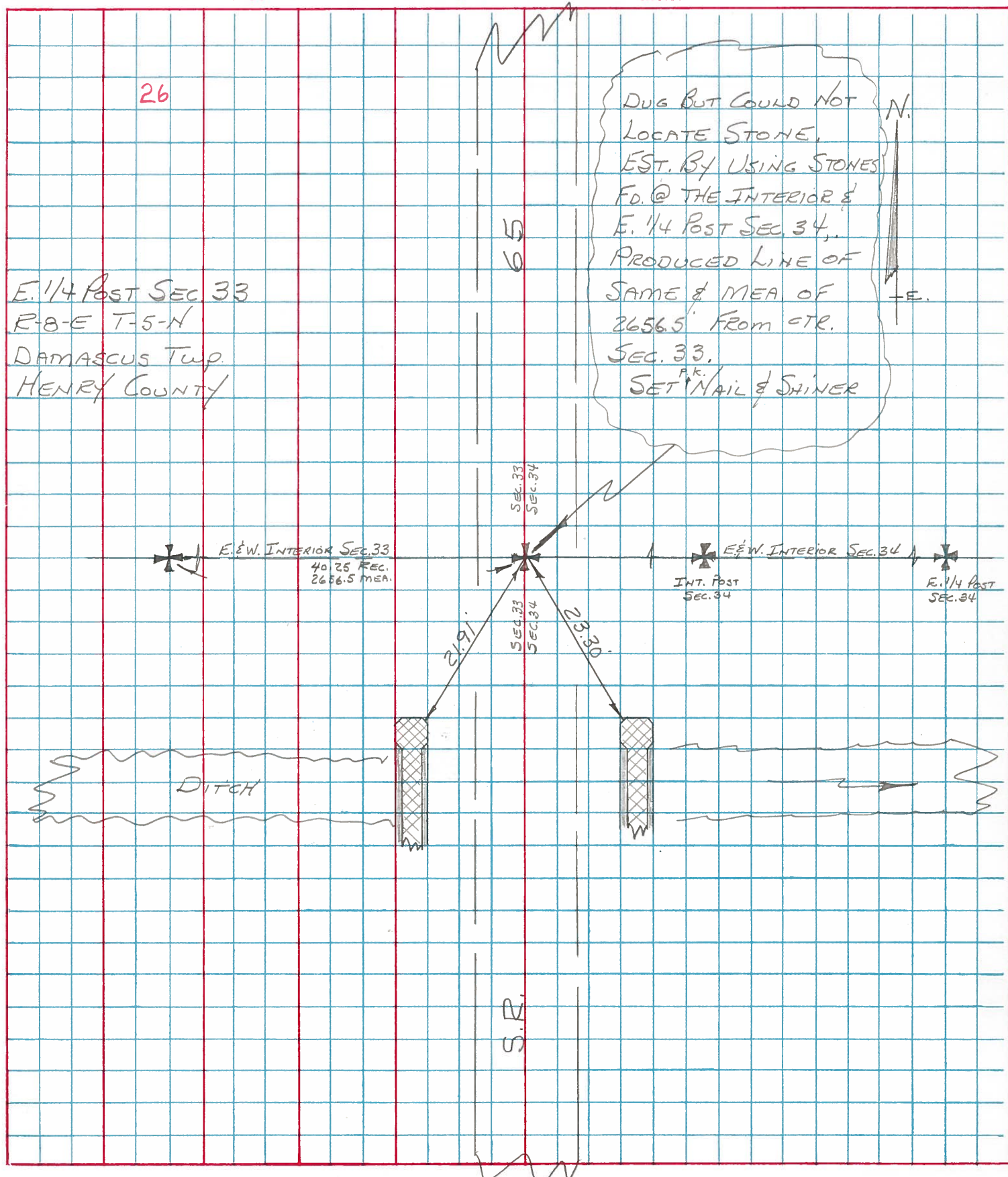
7/2/80 R.W., J.J., C.S.

- D - Found iron pin over small stone over true stone (7" x 10" x 10) 15" below road surface.  
 Removed iron pin and small stone. Placed 5/8" iron pin with top of pin over top center of stone.  
 P.K.'s 6' N.E. & S.E. Stone is 1.3' west of west edge 10' pavement.  
 26.53' W. to near face 3" iron post  
 146.80' N.N.W. to duplex E/S power pole  
 20.61' E. to spike W/S wool fence post  
 116.74' S.S.E. to duplex SW/S telephone pole

PERSONNEL	TITLE	PERSONNEL	TITLE
BURNSIDE			
SMITH			
BOWERS			
MEAD			

COUNTY HENRY DATE 7-15-75  
 S. R. 65 WEATHER CLEAR  
 SEC. E 1/4 Post Sec. 33 TEMP. +83°

DESCRIPTION REF. TO SECTION CORNER (SET) JOB NO. \_\_\_\_\_



26  
 E. 1/4 Post SEC 33  
 R-8-E T-5-N  
 DAMASCUS Twp.  
 HENRY COUNTY

E&W. INTERIOR SEC. 33  
 40 25 REC.  
 2656.5 MEA.

E&W. INTERIOR SEC. 34  
 INT. Post Sec. 34  
 E. 1/4 Post Sec. 34

DUG BUT COULD NOT LOCATE STONE,  
 EST. BY USING STONES  
 F.D. @ THE INTERIOR &  
 E. 1/4 Post SEC. 34,  
 PRODUCED LINE OF  
 SAME & MEA. OF  
 2656.5' FROM CTR.  
 SEC. 33.  
 SET NAIL & SHINER

DITCH

S.R.

21.91'

23.30'

SEC. 33  
 SEC. 34

SEC. 33  
 SEC. 34

65

26



PERSONNEL	TITLE	PERSONNEL	TITLE
BURNSIDE			
SMITH			
BOWERS			
MEAD			

COUNTY HENRY DATE 10-22-74  
 S. R. Co. Rd. 3-A WEATHER CLEAR  
 SEC. 34 DAMASCUS TWP.  
INTERIOR COR. TEMP. +52°

DESCRIPTION LOCATE SECTION CORNER JOB NO. \_\_\_\_\_  
 LEFT CENTER LINE RIGHT

