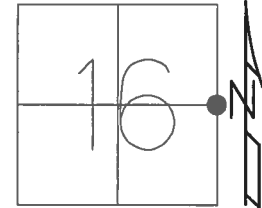


O.D.O.T. DISTRICT 2 SURVEY OFFICE (USE ONLY)

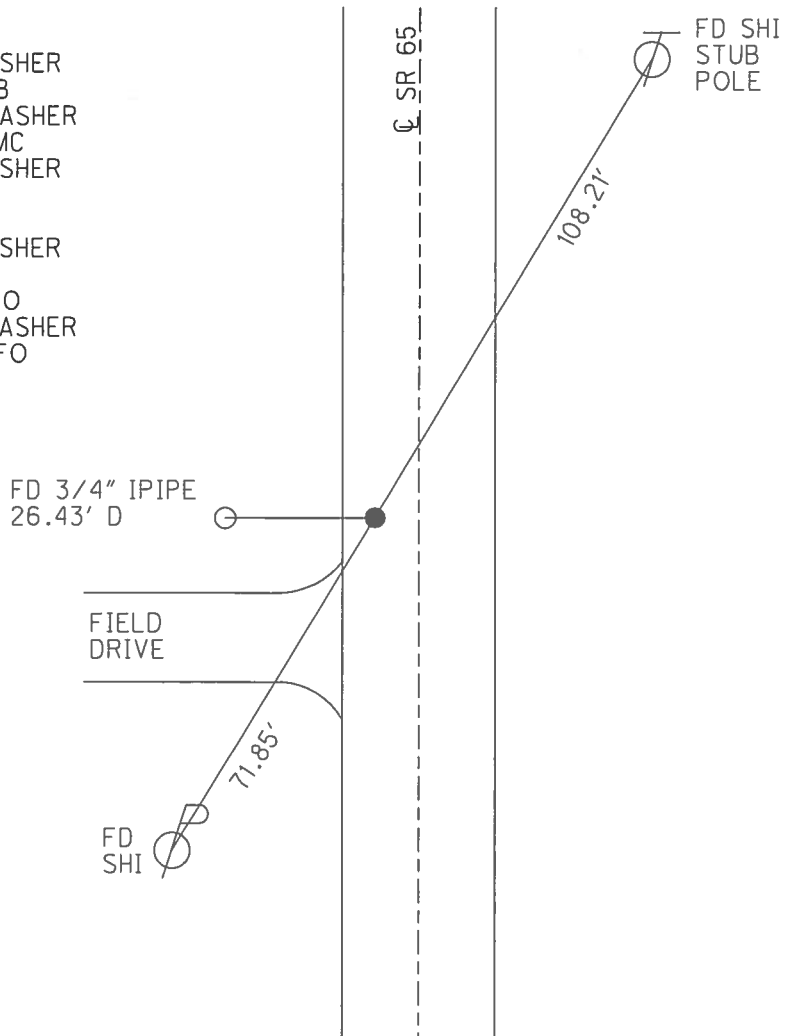
PERSONNEL \_\_\_\_\_ REFERENCE NO. 31 SHEET 39 OF 42  
 NOTES RHOADES DATE 5/9/17 ROUTE SR 65  
 H.C. O'DONNELL WEATHER SUNNY COUNTY HENRY  
 R.C. RHOADES TEMP. 58° TOWNSHIP DAMASCUS  
 SECTION 16  
 T 5 N R 8 E

TYPE MONUMENT MAG/WASHER  
 ON SURFACE - ~~BELOW~~ ON \_\_\_\_\_  
 LEFT - ℄ PAV'T - ~~RIGHT~~ 5.2'  
4.1' TO LT EDGE PAVEMENT  
 S.L.M. 822+55



GRID: NORTHING: 632324.070 EASTING: 1573017.499

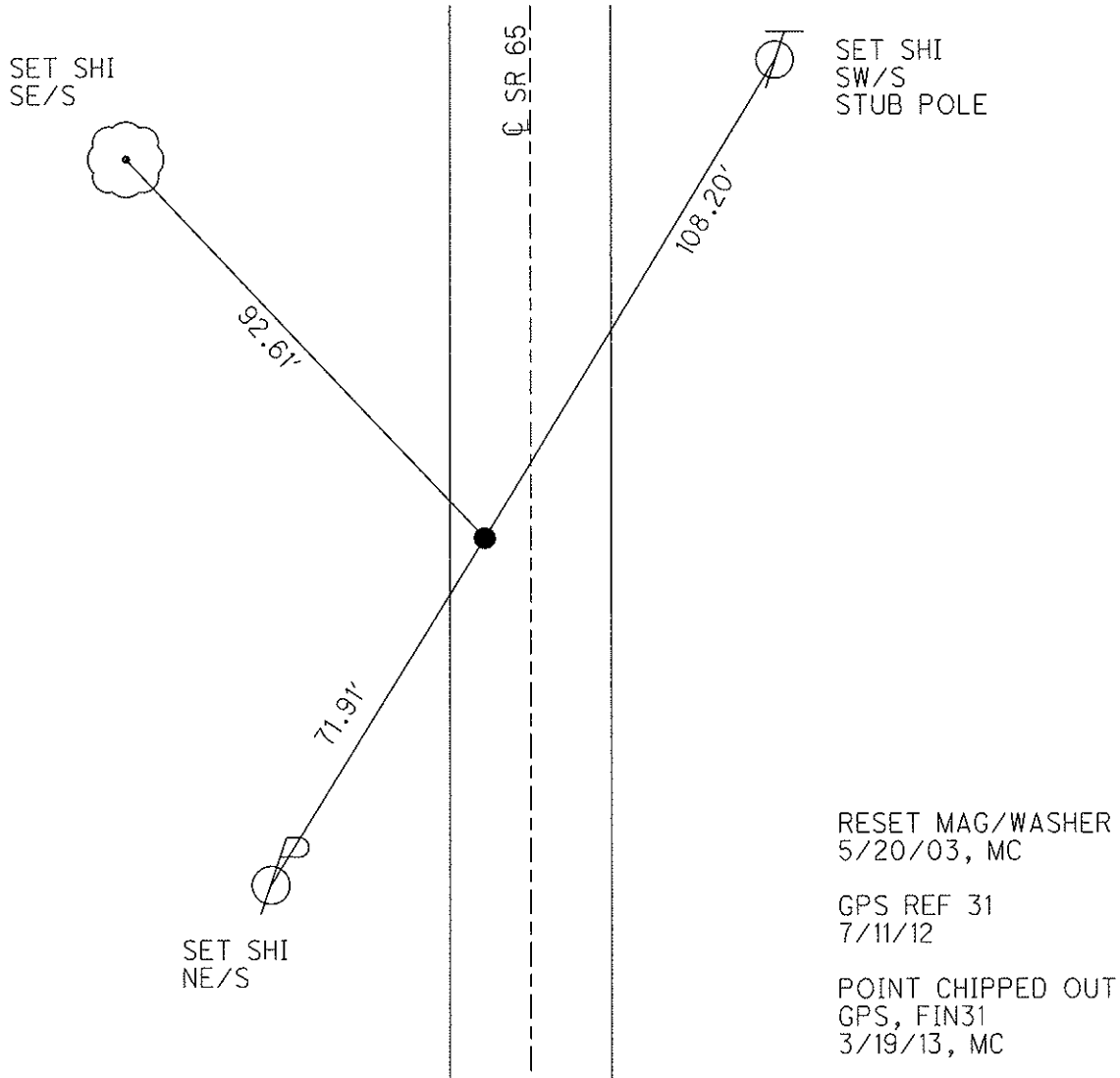
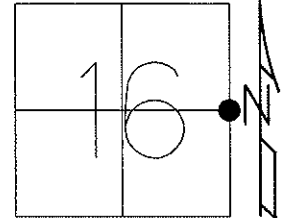
RECORD:  
 FD MAG/WASHER  
 4/11/03, MB  
 SET MAG/WASHER  
 5/20/03, MC  
 FD MAG/WASHER  
 REF31  
 7/11/12, MC  
 FD MAG/WASHER  
 REF31  
 5/12/17, JFO  
 SET MAG/WASHER  
 9/27/17, JFO



O.D.O.T. DISTRICT 2 SURVEY OFFICE (USE ONLY)

PERSONNEL	REFERENCE NO. <u>31</u>	SHEET <u>39</u> OF <u>42</u>
NOTES <u>BRUMBAUGH</u>	DATE <u>4/11/03</u>	ROUTE <u>SR 65</u>
H.C. <u>BARNHISEL</u>	WEATHER <u>SUNNY</u>	COUNTY <u>HENRY</u>
R.C. <u>GLASS</u>	TEMP. <u>55°</u>	TOWNSHIP <u>DAMASCUS</u>
		SECTION <u>16</u>
		T <u>5</u> N R <u>8</u> E

TYPE MONUMENT MAG / WASHER  
 ON SURFACE - ~~BELOW~~ ON  
 LEFT - Q PAV'T - ~~RIGHT~~ 5.2'  
4.1' TO LT EDGE PAVEMENT  
 S.L.M. 822+55  
 Grid: Northing: 632324.121 Easting: 1573017.434



O.D.O.T. DISTRICT 2 SURVEY OFFICE

PERSONNEL

REFERENCE NO. 31

SHEET 3 OF 26

NOTES Brumbaugh

H.C. BARWHEEL - DRAWING

DATE 04/11/03

ROUTE 65

R.C. GLASS

WEATHER SUNNY

COUNTY HENRY

TEMP. +55°

TOWNSHIP DAMACUS

SECTION 16

T 5 N R 8 E

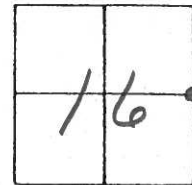
TYPE MONUMENT Sm RR SPIKE

ON SURFACE - ~~BELOW~~ yes

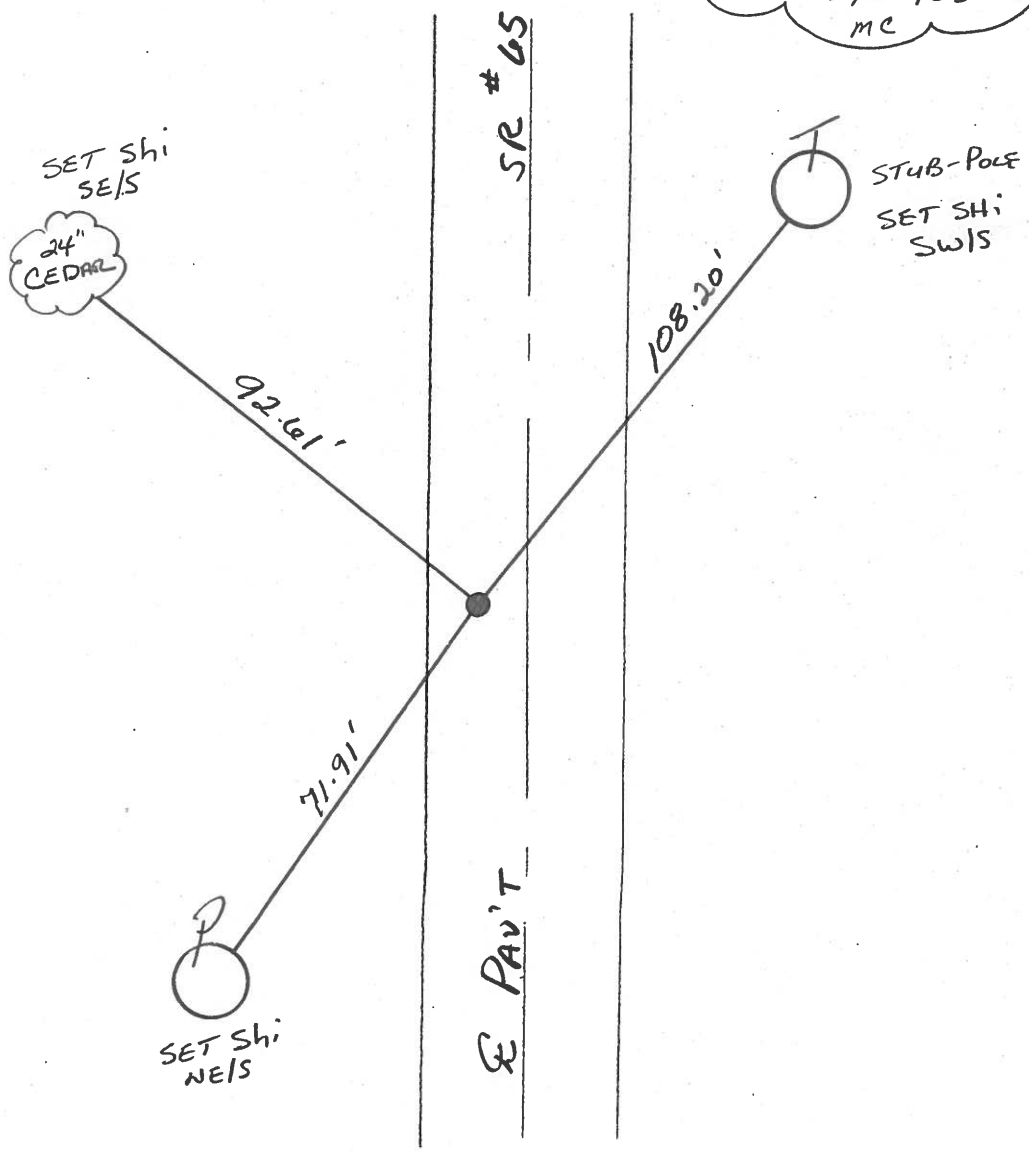
LEFT - 0 PAV'T. - ~~RIGHT~~ 5.2'

4.1' TO LT. EDGE PAVEMENT

S.L.M. 822+55



RESET MAG NAIL & WASHEN  
05/20/03  
MC



# O.D.O.T. DISTRICT 2 SURVEY OFFICE

PERSONNEL \_\_\_\_\_

REFERENCE NO. 31

SHEET \_\_\_\_\_ OF \_\_\_\_\_

NOTES BARNHISEL

H.C. SOCKMAN

R.C. \_\_\_\_\_

DATE 5-14-87

WEATHER SUNNY

TEMP. +75°

ROUTE SR 65

COUNTY HENRY

TOWNSHIP DAMASCUS

SECTION 16

TS N R 8 E

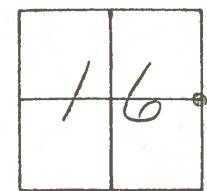
TYPE MONUMENT HARROW TOOTH

ON SURFACE - BELOW 1"

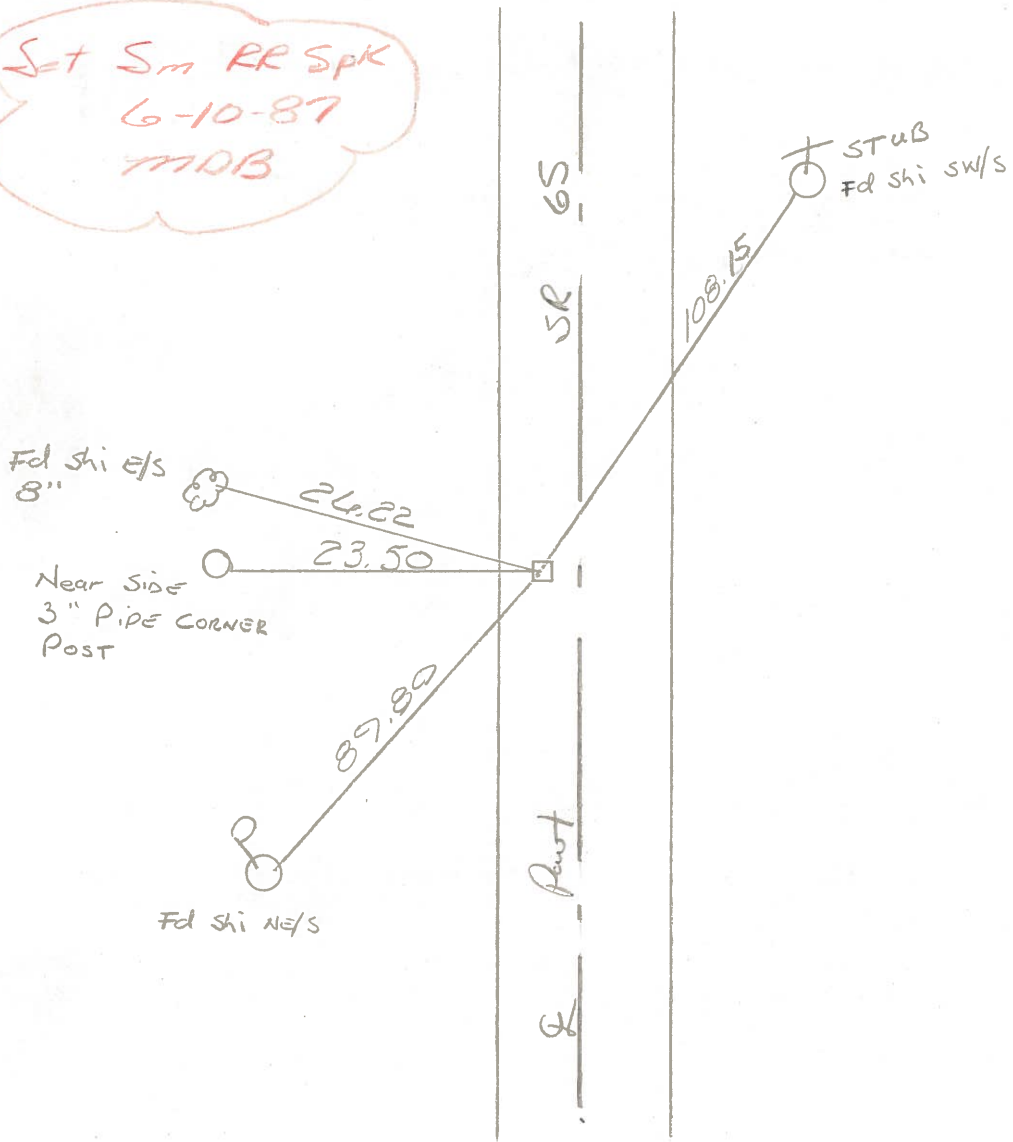
LEFT - PAV'T. - RIGHT S.2'

4.2' TO LT EDGE PAVEMENT

S.L.M. 822 + 66



Set Sm RR Spk  
6-10-87  
MAB



ODOT. DISTRICT 2 SURVEY OFFICE

SHEET \_\_\_\_\_ OF \_\_\_\_\_

County Henry S.R. 65

Date 2-1-84

Township DAMASCUS

Weather Clear

Section 16

Temp. 20°

TSN, R0E

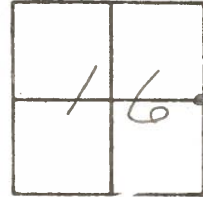
Personnel HOFFMAN

LOEHRKE H.C.

HOUSEHOLDER R.C.

BARNHISEL

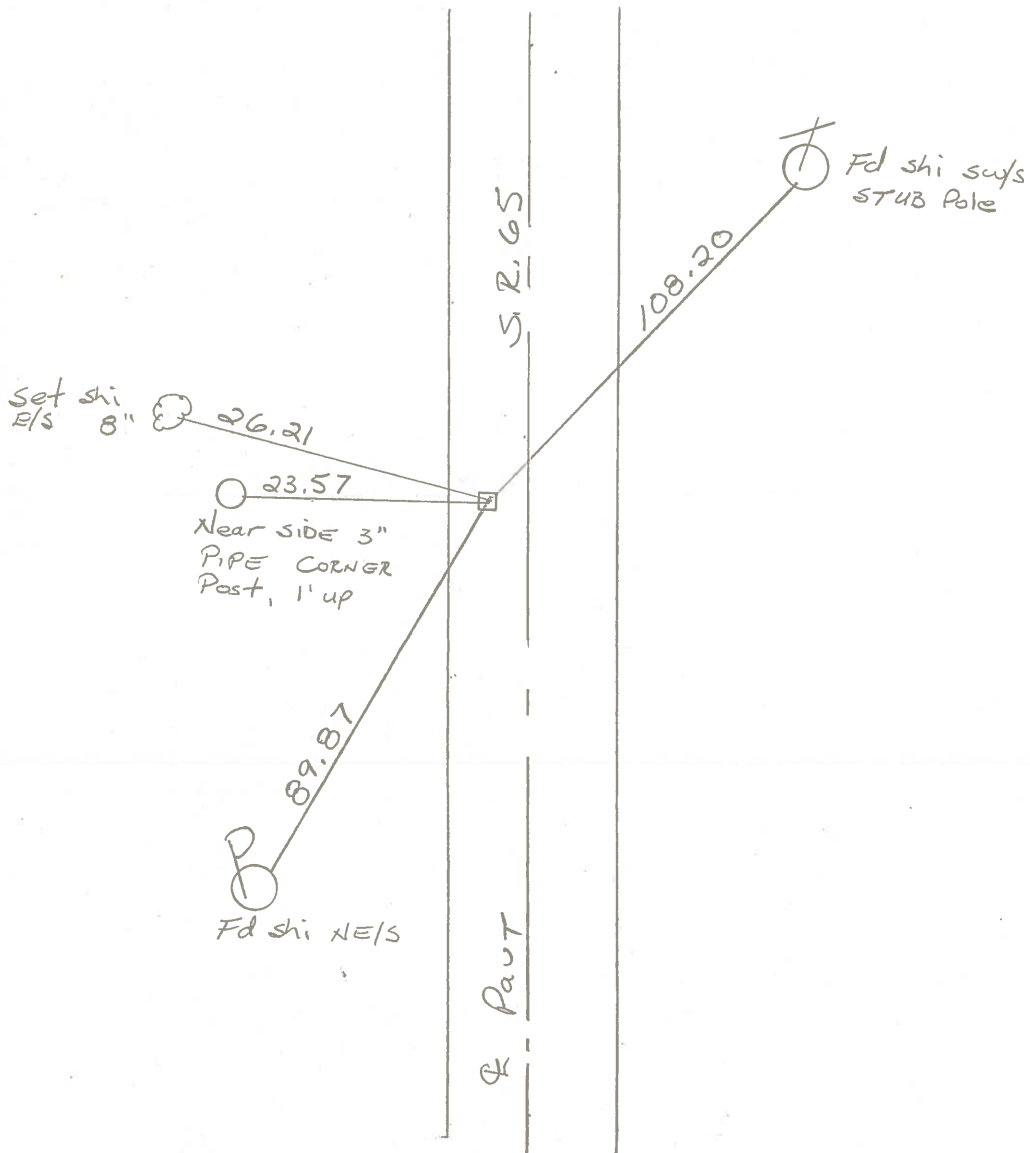
# 31



Fd. HARROW TOOTH 1" Below SURFACE

5.2' Lt. of Q PAUT

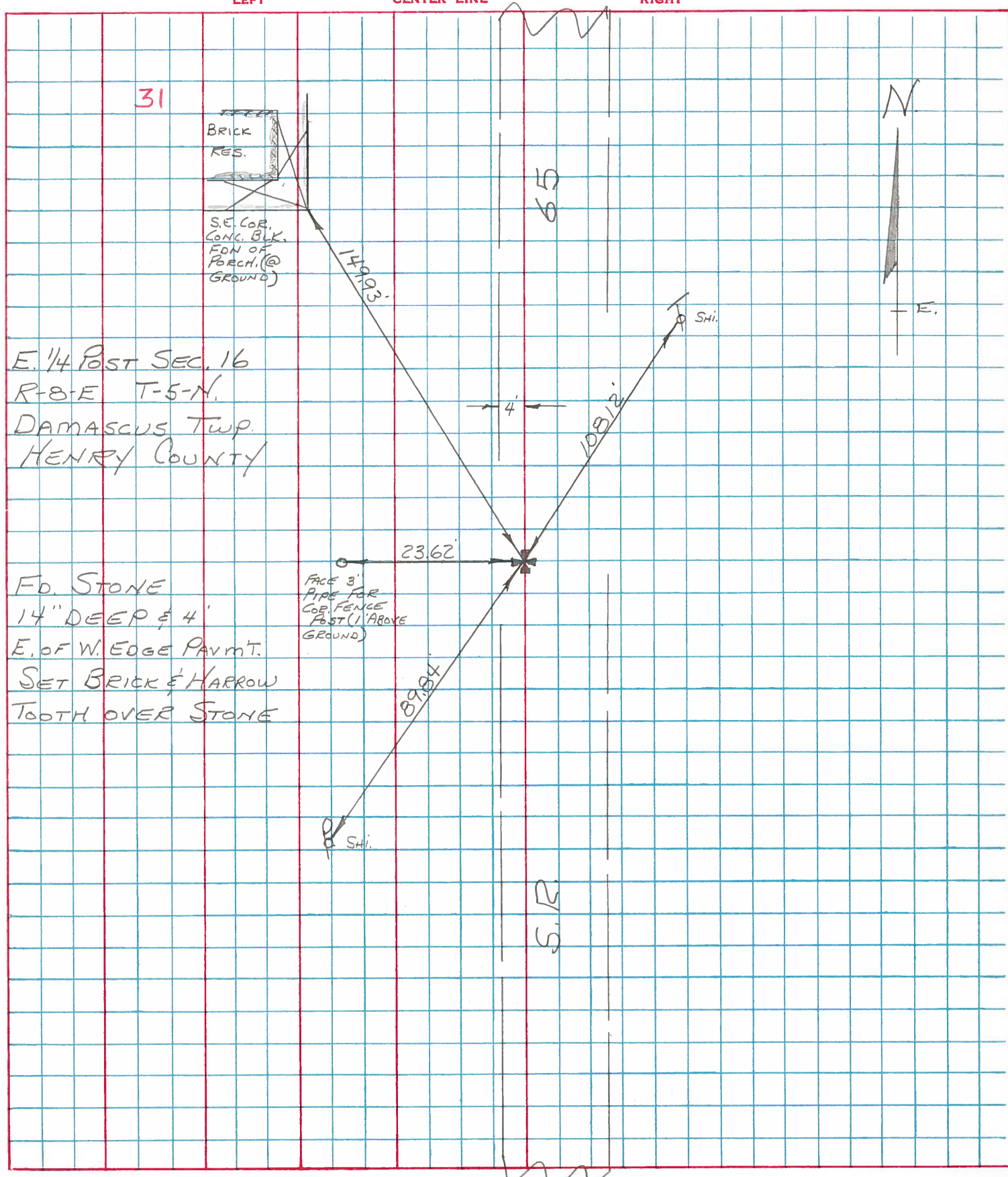
4.2' TO Lt. EP.



PERSONNEL	TITLE	PERSONNEL	TITLE
BURNSIDE			
SMITH			
BOWERS			
MEAD			

COUNTY HENRY DATE 7-15-75  
 S. R. 65 WEATHER CLEAR  
 SEC. E 1/4 Post Sec. 16 TEMP. +82°

DESCRIPTION REF. TO SECTION CORNER JOB NO. \_\_\_\_\_



31  
 E. 1/4 POST SEC. 16  
 R-8-E T-5-N.  
 DAMASCUS TWP.  
 HENRY COUNTY

Fd. Stone  
 14" DEEP & 4"  
 E. OF W. EDGE PAVMT.  
 SET BRICK & HARROW  
 TOOTH OVER STONE

FACE 3"  
 PIPE FOR  
 COB. FENCE  
 POST (1" ABOVE  
 GROUND)

S.R.

PERSONNEL TITLE PERSONNEL TITLE  
 BURNSIDE \_\_\_\_\_  
 BOWERS \_\_\_\_\_  
 MEAD \_\_\_\_\_

COUNTY HENRY DATE 4-10-74  
 S. R. 65 WEATHER CLEAR  
 SEC. DAMASCUS Twp. TEMP. +42°

DESCRIPTION Control Ties JOB NO. \_\_\_\_\_

