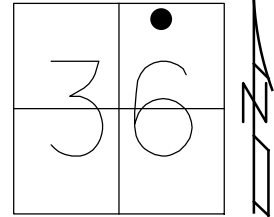


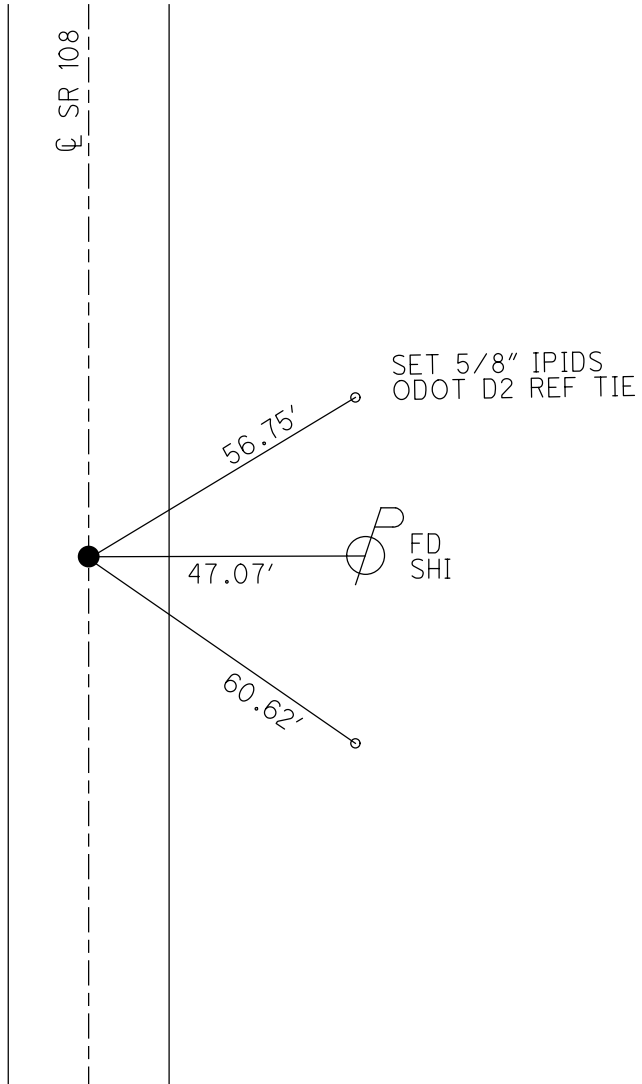
O.D.O.T. DISTRICT 2 SURVEY OFFICE (USE ONLY)

PERSONNEL _____ REFERENCE NO. 25 SHEET 10 OF 48
 NOTES BALBAUGH DATE 3/16/20 ROUTE SR 108
 H.C. LEU WEATHER PARTLY CLOUDY COUNTY HENRY
 R.C. BALBAUGH TEMP. 36° TOWNSHIP FLATROCK
 DWG BY BALBAUGH PID 94319 SECTION 36
 T 4 N R 6 E

TYPE MONUMENT P.K.NAIL
~~ON SURFACE~~ - BELOW 3.5"
 OFFSET ϕ PAVEMENT ON LT : RT
12.3' TO LT EDGE PAVEMENT
 STATION: 386+12.10
 HORZ.DATUM: NAD83 (2011) GEOID: 2012A
 GRID: NORTHING: 587318.145 EASTING: 1522686.931



RECORD: S.T.
 STA 386+01
 FD P.K./WASHER
 8/18/92, MB
 SET P.K./WASHER
 9-17-92, MB
 FD P.K. NAIL
 3.5" DOWN
 REF25
 11-5-18, JLL
 SET MAG/WASHER
 10-20-20, DSA



O.D.O.T. DISTRICT 2 SURVEY OFFICE

PERSONNEL

REFERENCE NO. 25

SHEET 30 OF 54

NOTES VAN DUSEN

H.C. KUSZ

R.C. BARNHISEL

DATE 8-18-92

WEATHER CLOUDY

TEMP. +75° F

ROUTE SR 108

COUNTY HENRY

TOWNSHIP FLAT ROCK

SECTION 36

T. 4 N R. 6 E

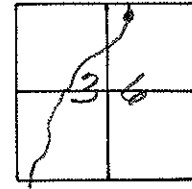
TYPE MONUMENT PK/WASHER

ON SURFACE - BELOW YES

LEFT - CL PAV'T. - RIGHT YES

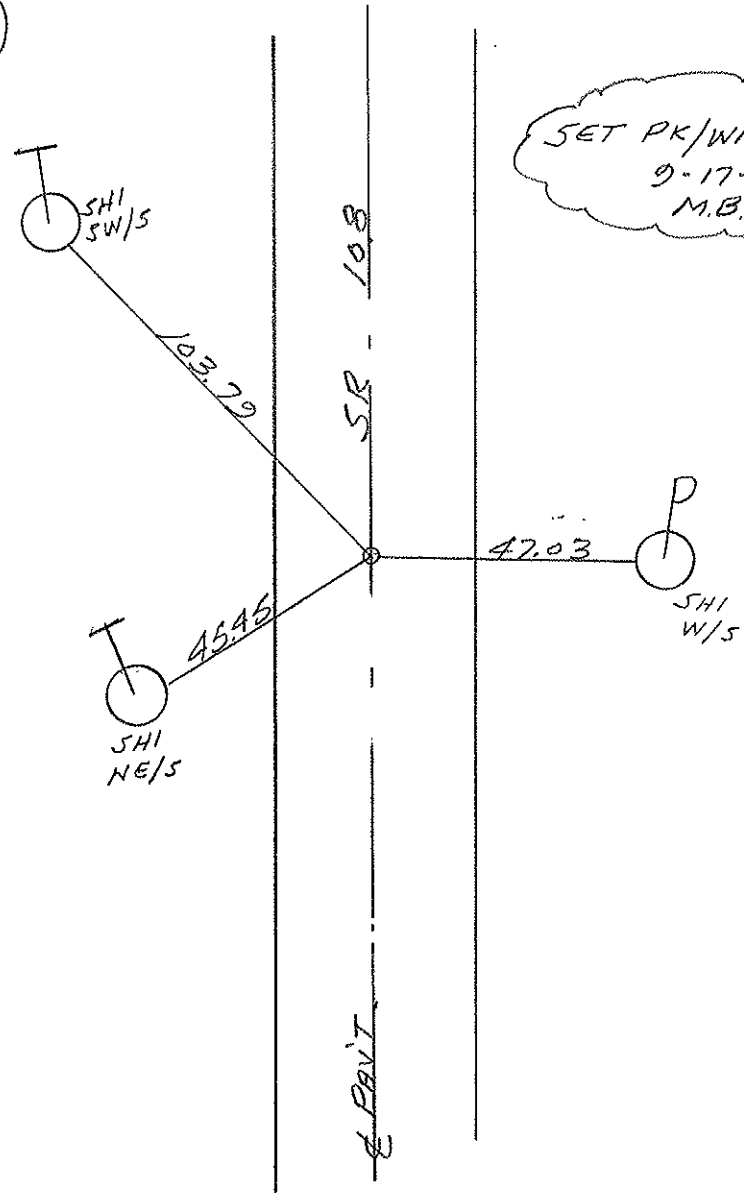
12.3 TO 17. EDGE PAVEMENT

S.L.M. 385 + 01



RECORDED
STA. 386+07.05
S.T.

SET PK/WASHER
9-17-92
M.B.



County Henry S.R. 108

Township Flatrock

Section 36

T4N, R6E

Personnel Hoffman

Loehrke ITC

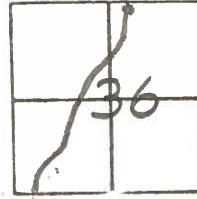
Hauscholder RC

Barnhisel Notes

Date 6-27-84

Weather Partly Cloudy

Temp. +77°



#25

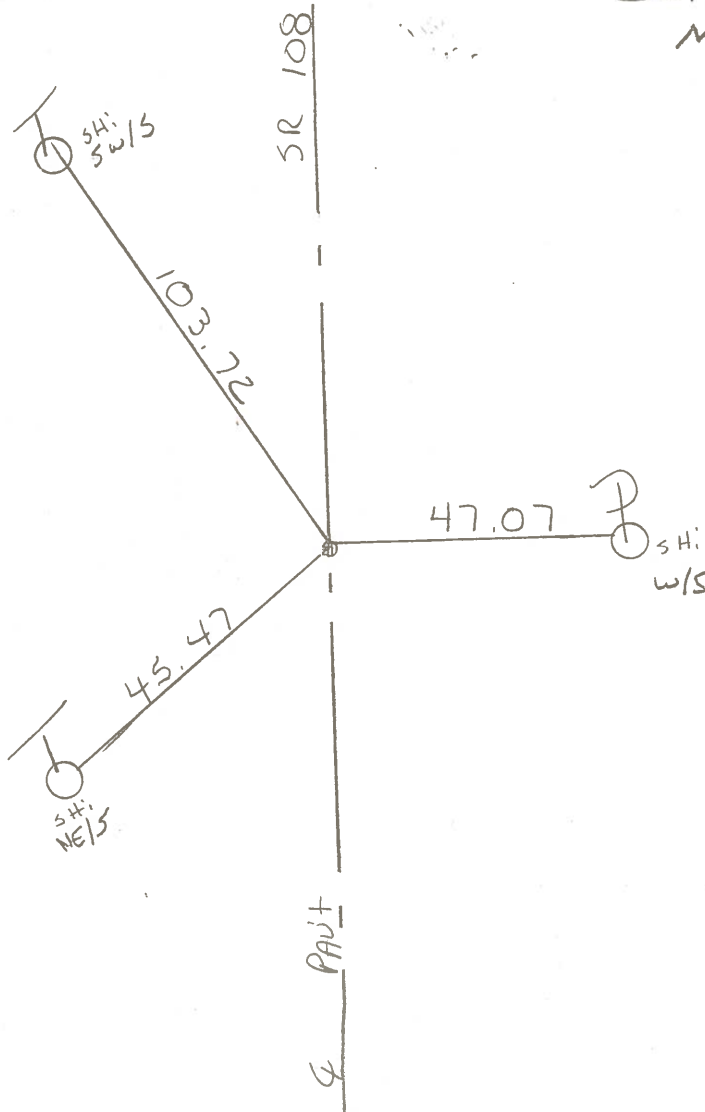
8-27-84

SET PK/WASHER

M.D.B.

FD P.K. @ surface
 SLM 385+82
 on E of 108
 11.8 R+EP
 11.9 Lt EP

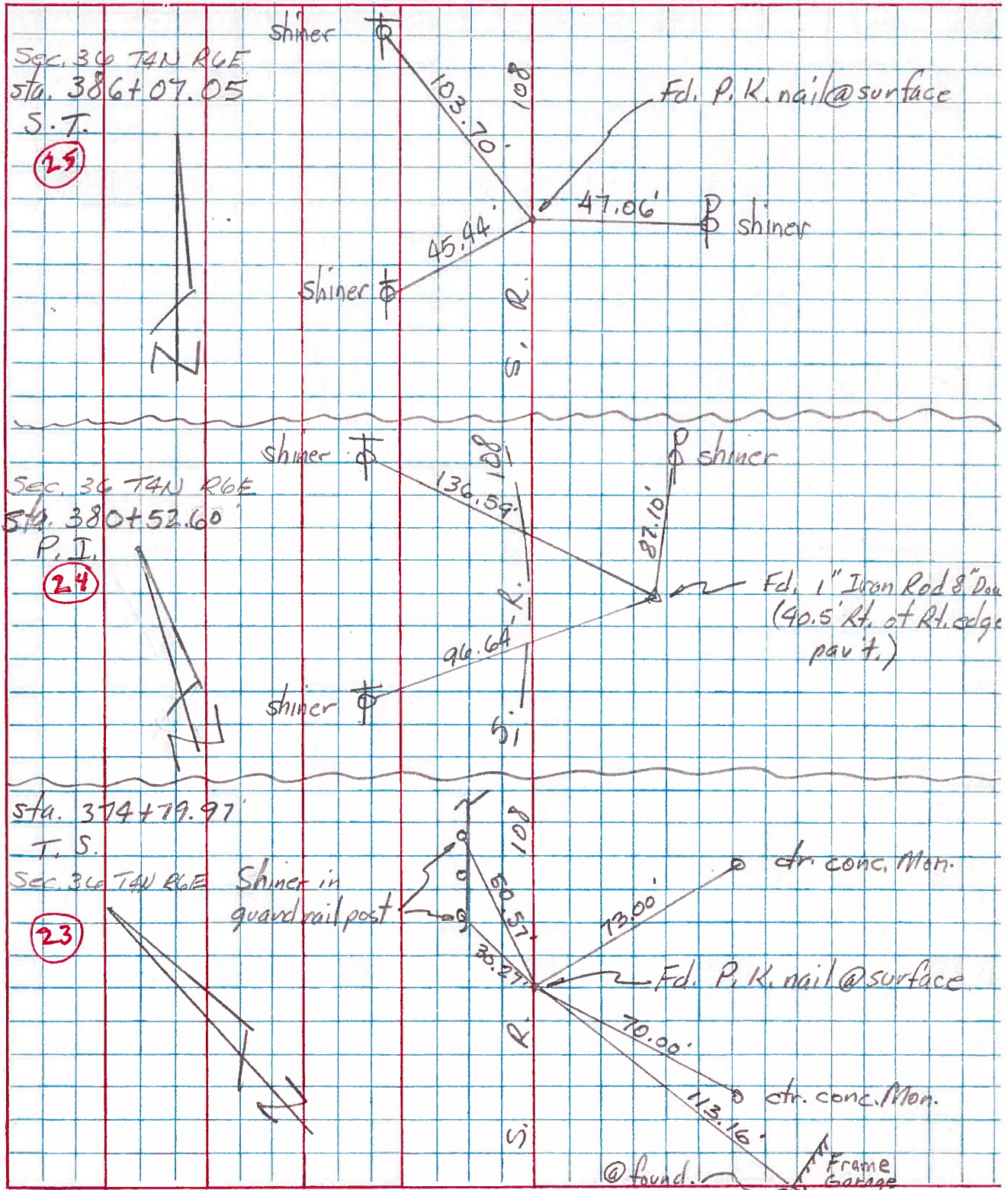
Recorded
 sta 386+07.05
 S.T.



Handwritten mark in the bottom right corner.

PERSONNEL	TITLE	PERSONNEL	TITLE	COUNTY	DATE	WEATHER
Tomsic				HENRY	July 24, 1974	
Neuser				S. R. 108		
Vanyo				SEC. FLAT ROCK TWP.		
Granata						TEMP.

DESCRIPTION	LEFT	CENTER LINE	RIGHT	JOB NO.
-------------	------	-------------	-------	---------



PERSONNEL	TITLE	PERSONNEL	TITLE	COUNTY	DATE
Louys				Wi	6/3/71
Friksen	Recorder			S. R. # 108	WEATHER Clear
Pou				SEC. Holgate Co Rd 6	TEMP. 80°
Shaw					
DESCRIPTION	Ref. B/W Plan 1958				JOB NO.

