

O.D.O.T. DISTRICT 2 SURVEY OFFICE (USE ONLY)

PERSONNEL _____

REFERENCE NO. 40

SHEET 26 OF 48

NOTES VAN DUSEN

DATE 8/17/92

ROUTE SR 108

H.C. KUSZ

WEATHER CLOUDY

COUNTY HENRY

R.C. BARNHISEL

TEMP. 75°

TOWNSHIP FLATROCK

SECTION 24

DWG BY MILLER

PID 94319

T 4 N R 6 E

TYPE MONUMENT P.K./WASHER

ON SURFACE - ~~BELOW~~ ON

OFFSET \bar{C} PAVEMENT 0.5' \pm : RT

13.2' TO LT EDGE PAVEMENT

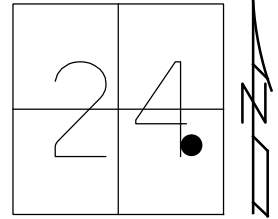
STATION: 461+22.21

HORZ.DATUM: _____

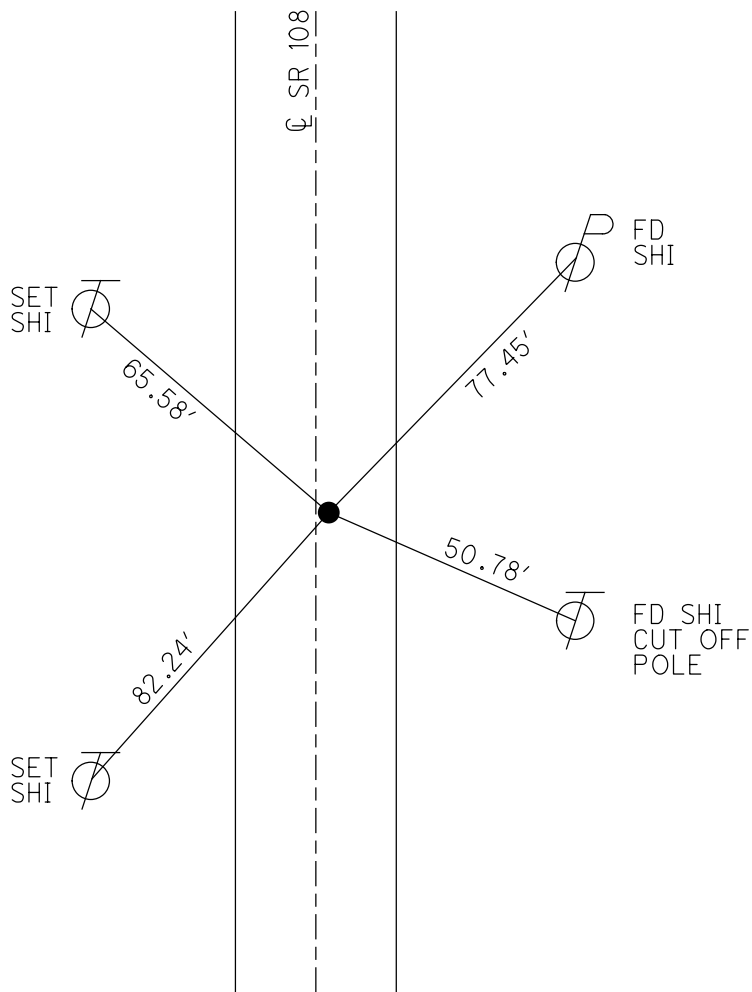
GEOID: _____

GRID: NORTHING: _____

EASTING: _____



RECORD:
 STA 461+36.47 BACK
 STA 461+36.93 AHEAD
 FD P.K./WASHER
 8/17/92, MB
 SET P.K./WASHER
 9-17-92, MB
 DNF
 11-6-18, JLL
 DID NOT SET
 10-22-20, DSA



County Henry S.R. 108

Township Flatrock

Section 24

T4N, R6E

Personnel Hoffman

Loehrke HC

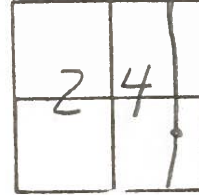
Householder RC

Barnhiser Notes

Date 6-28-84

Weather Sunny

Temp. +82°



40

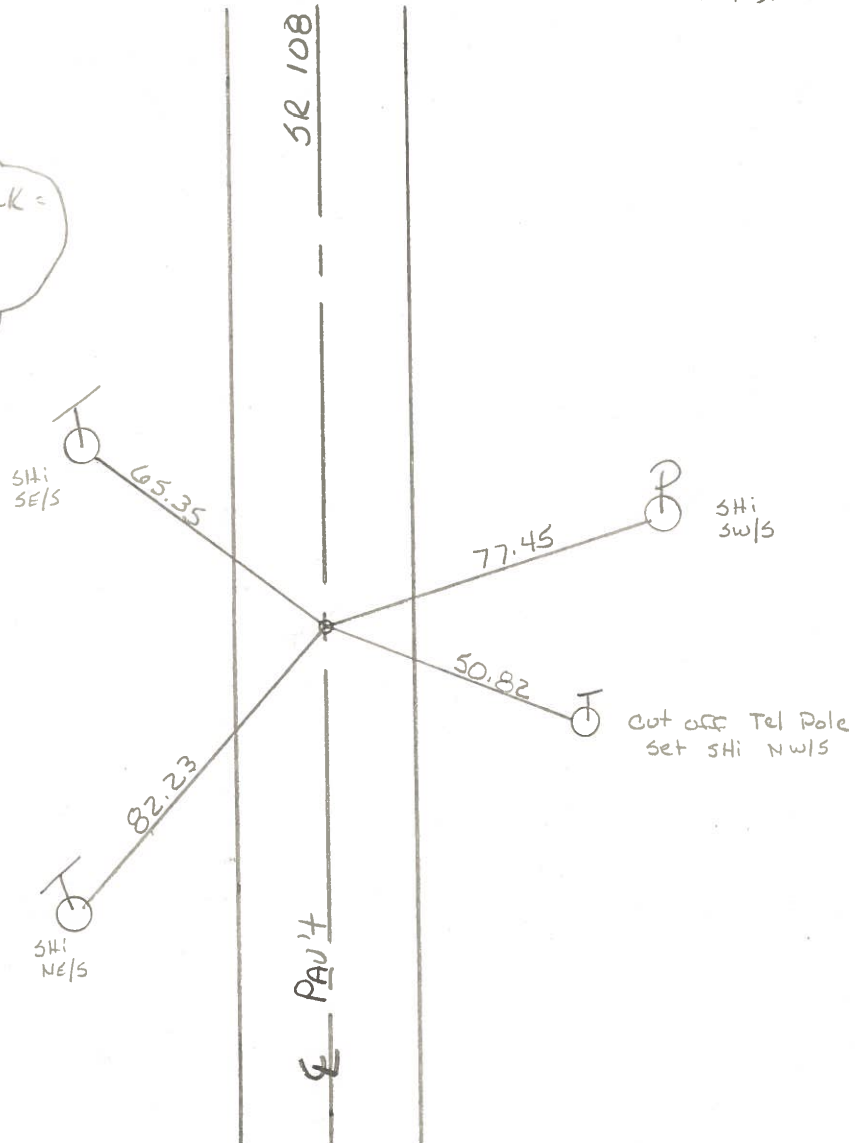
SLM 460+92
 F&L PK @ Surface
 On E of 108
 10.8 ft of EP
 12.2 ft of EP

8-28-84

SET PK./WASHER

M.P.B.

Recorded
 Sta 461+36.47 Back =
 461+36.93 AHEAD
 125' S Bridge N.
 Hen 108-0875
 P.T.



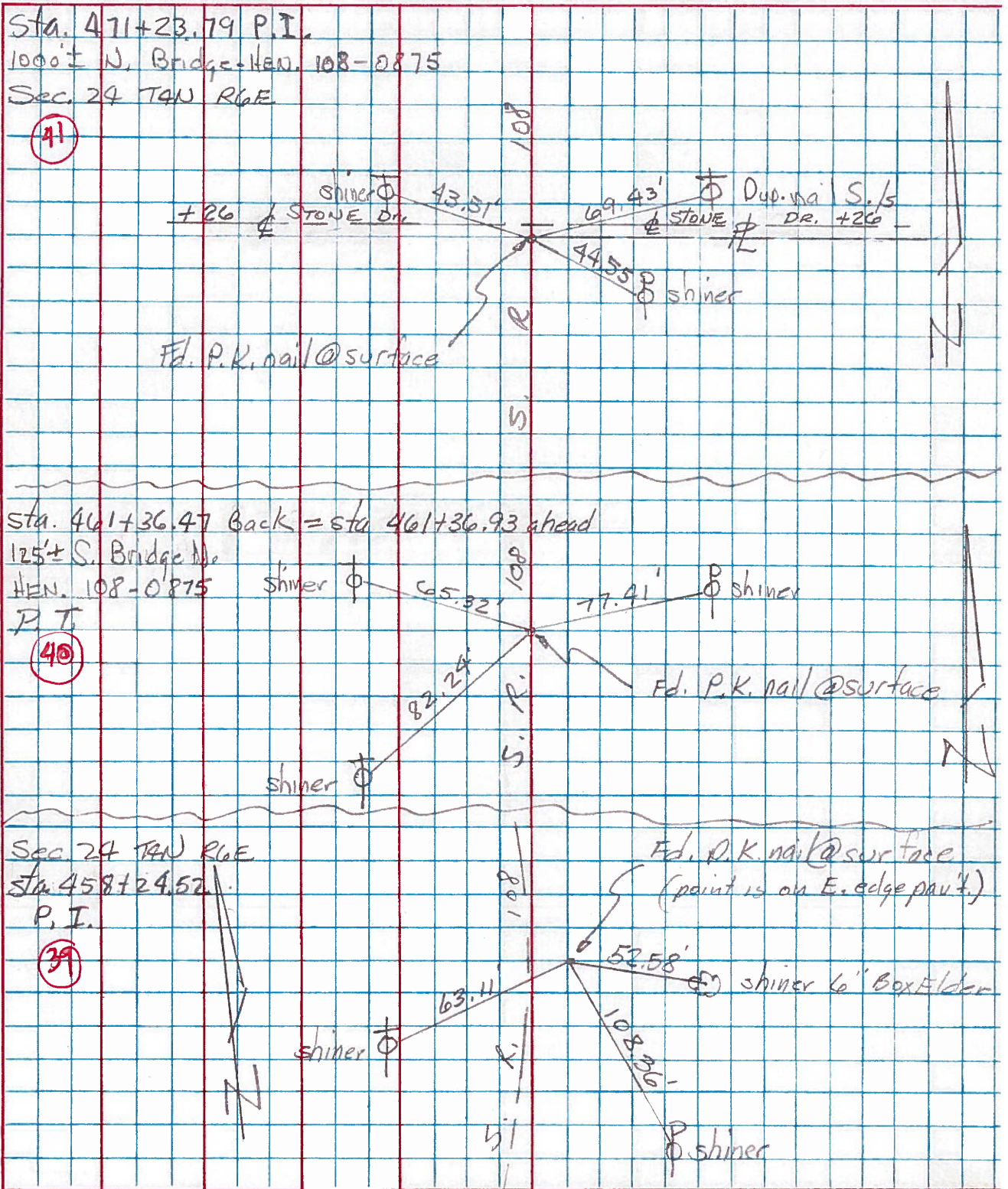
PERSONNEL	TITLE	PERSONNEL	TITLE
Tomsic			
Neuser			
Vanyo			
Granata			

COUNTY HENRY DATE July 17, 1974

S. R. 108 WEATHER _____

SEC. FLAT ROCK TWP. TEMP. _____

DESCRIPTION LEFT CENTER LINE RIGHT JOB NO.



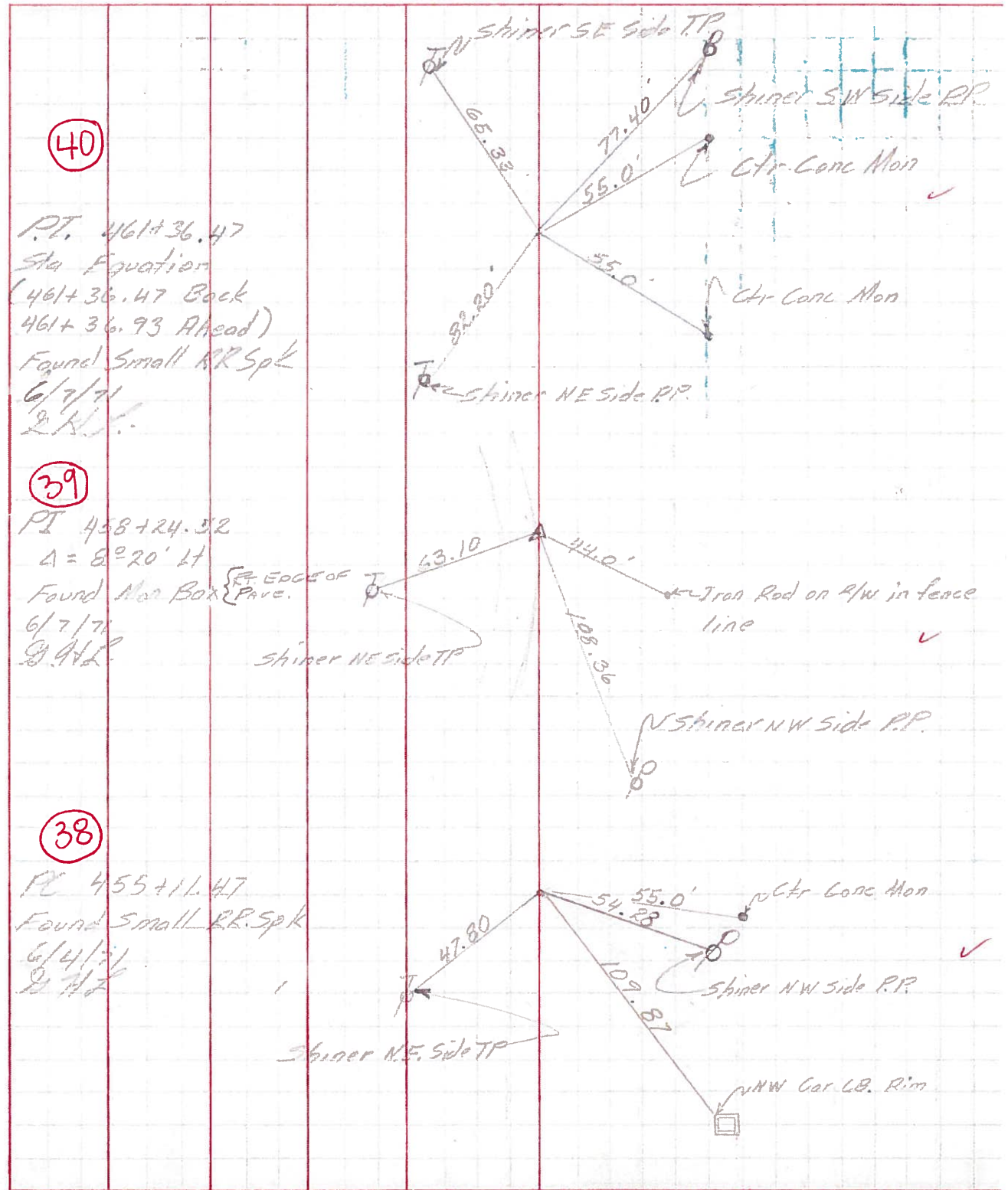
PERSONNEL _____ TITLE _____ PERSONNEL _____ TITLE _____

Louys _____ County Han DATE 6/4/71

Pickson _____ S. R. # 108 WEATHER Fair

Tom _____ SEC. _____ TEMP. 85°

DESCRIPTION Ref Const Plan Dated 1958 JOB NO. _____



(40)

PT. 461+36.47
Sta Equation
(461+36.47 Back
461+36.93 Ahead)
Found Small RR Spk
6/7/71
S.H.L.

(39)

PI 458+24.32
Δ = 82°20' Lt
Found Mon Box {
Rt. Edge of T Pave.
6/7/71
S.H.L.

(38)

PI 455+11.47
Found Small RR Spk
6/4/71
S.H.L.