

O.D.O.T. DISTRICT 2 SURVEY OFFICE (USE ONLY)

PERSONNEL

REFERENCE NO. 69

SHEET 3 OF 21

NOTES AUBLE

DATE 4/20/18

ROUTE SR 108

H.C. LEU

WEATHER CLOUDY

COUNTY HENRY

R.C. AUBLE

TEMP. 40°F

TOWNSHIP NAPOLEON

DWG BY NIESE

PID 101211

SECTION 2

T 5 N R 6 E

TYPE MONUMENT MONBOX W/1" IPIN

ON SURFACE - ~~BELOW~~ ON

OFFSET CL PAVEMENT ON LT : RT

12.2' TO RT EDGE PAVEMENT

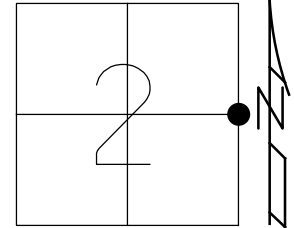
STATION: 962+26.75

HORZ.DATUM: NAD83(2011)

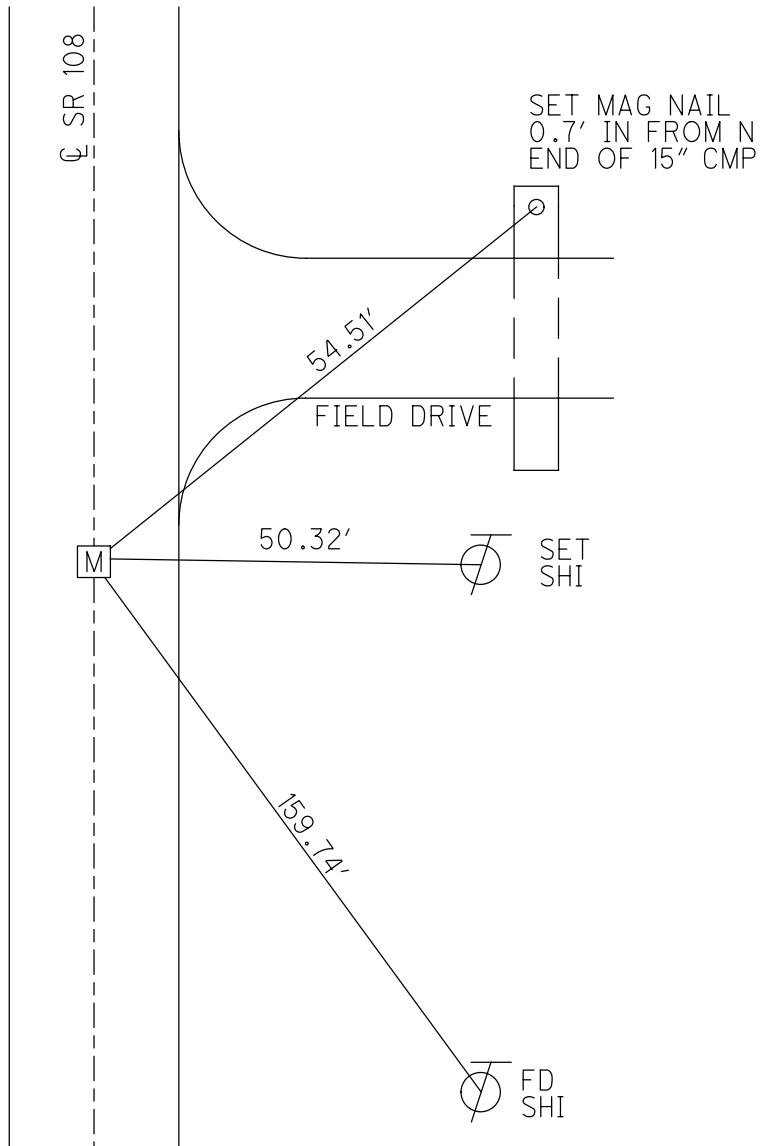
GEOID: 2012A

GRID: NORTHING: 643298.920

EASTING: 1520942.295



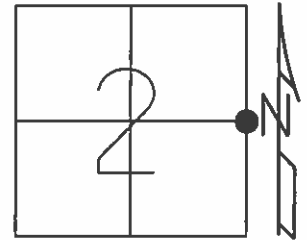
RECORD:
1966 PLAN
STA. 962+27.07
FD SET MONBOX
W/IPIN
REF69
8/6/01, KPM
FD MONBOX
REF69
9/17/19, JLL



O.D.O.T. DISTRICT 2 SURVEY OFFICE (USE ONLY)

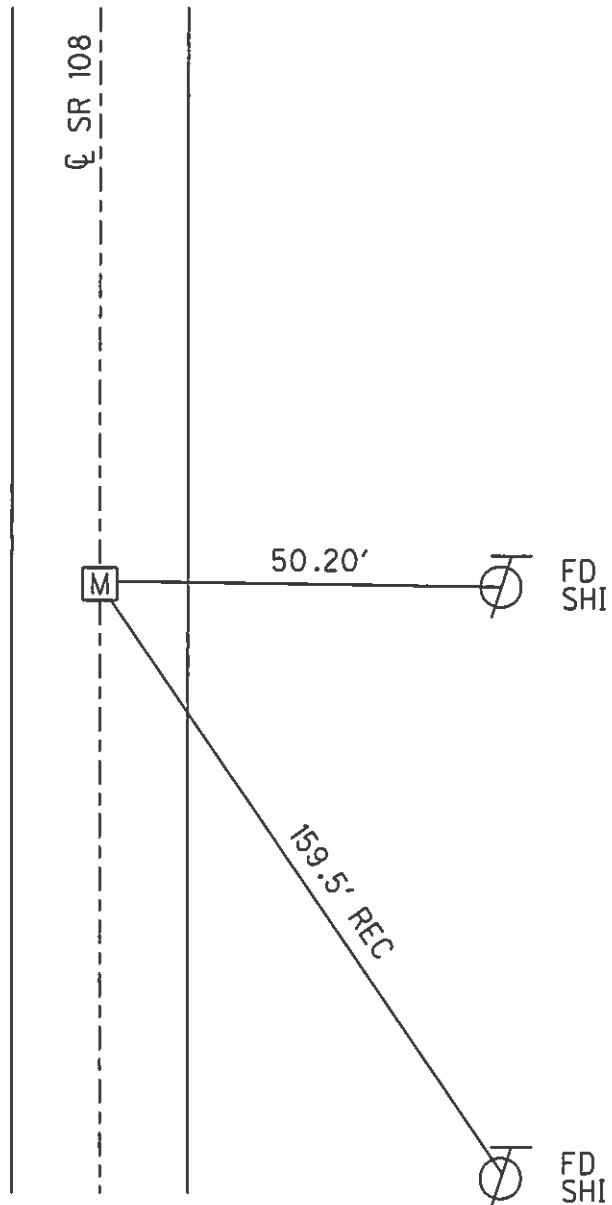
PERSONNEL	REFERENCE NO. <u>69</u>	SHEET <u>3</u> OF <u>21</u>
NOTES <u>HUSS</u>	DATE <u>4/15/09</u>	ROUTE <u>SR 108</u>
H.C. <u>CORDES</u>	WEATHER <u>CLDY-COOL</u>	COUNTY <u>HENRY</u>
R.C. <u>CORY</u>	TEMP. <u>45°</u>	TOWNSHIP <u>NAPOLEON</u>
		SECTION <u>2</u>
		T <u>5</u> N R <u>6</u> E

TYPE MONUMENT MON.BOX
 ON SURFACE - ~~BELOW~~ ON
 LEFT - CL PAV'T - RIGHT ON
12.2' TO RT EDGE PAVEMENT
 S.L.M. 962+26.75



Grid: Northing: 643298.871 Easting: 1520942.276

RECORD:
 1966 PLAN= 962+27.07
 FD MON.BOXSET STRADLES
 SHOT IPIN
 REF69
 8/6/01, KPM



O.D.O.T. DISTRICT 2 SURVEY OFFICE

PERSONNEL

REFERENCE NO. 69

SHEET 12 OF 21

NOTES MOSE

H.C. CANTERBURY

R.C. MOSE

DATE 8-6-01

WEATHER SUN

TEMP. +80°

ROUTE 108

COUNTY HENRY

TOWNSHIP NAPOLEON

SECTION 2

T5 N R 6 E

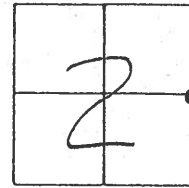
TYPE MONUMENT Mon. Box

ON SURFACE - ~~BELOW~~ ON

~~LEFT~~ - Q PAV'T. - ~~RIGHT~~ Q

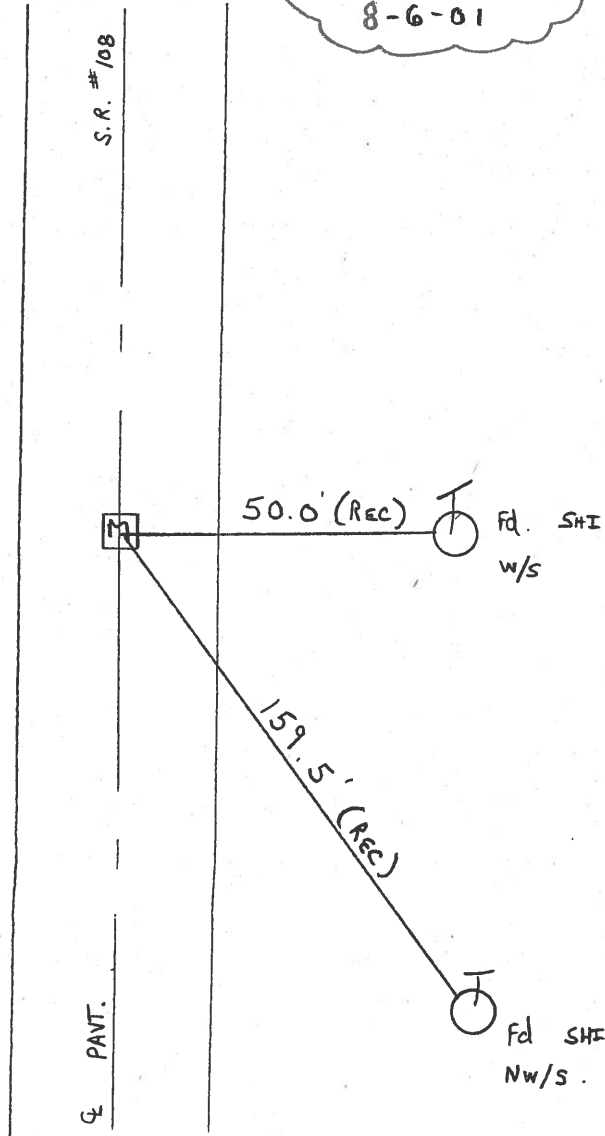
1/2 TO RT. EDGE PAVEMENT

S.L.M. 961 +59



1966 PIAN = 962 + 27.07

SET STRADLES
8-6-01



O.D.O.T. DISTRICT 2 SURVEY OFFICE

PERSONNEL _____

REFERENCE NO. _____

SHEET 24 OF 33

NOTES HOFFMAN

H.C. BARNHISEL

DATE 4-18-88

ROUTE SR 108

R.C. LOEHRIG

WEATHER P. CLEAR

COUNTY HENRY

ROAD

TEMP. 43°

TOWNSHIP NAPOLEON

SECTION 2

T.S. N R 6 E

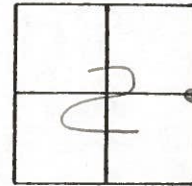
TYPE MONUMENT Monument Box

ON SURFACE - BELOW 1 1/2"

LEFT- & PAV'T. - RIGHT YES

12.2 TO RT EDGE PAVEMENT

S.L.M. 961+59



1966 PLAN = 962+27.07

DID NOT OPEN LID

69

