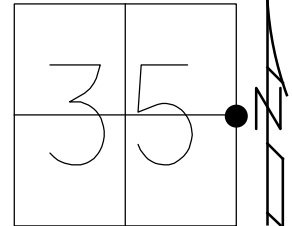


O.D.O.T. DISTRICT 2 SURVEY OFFICE (USE ONLY)

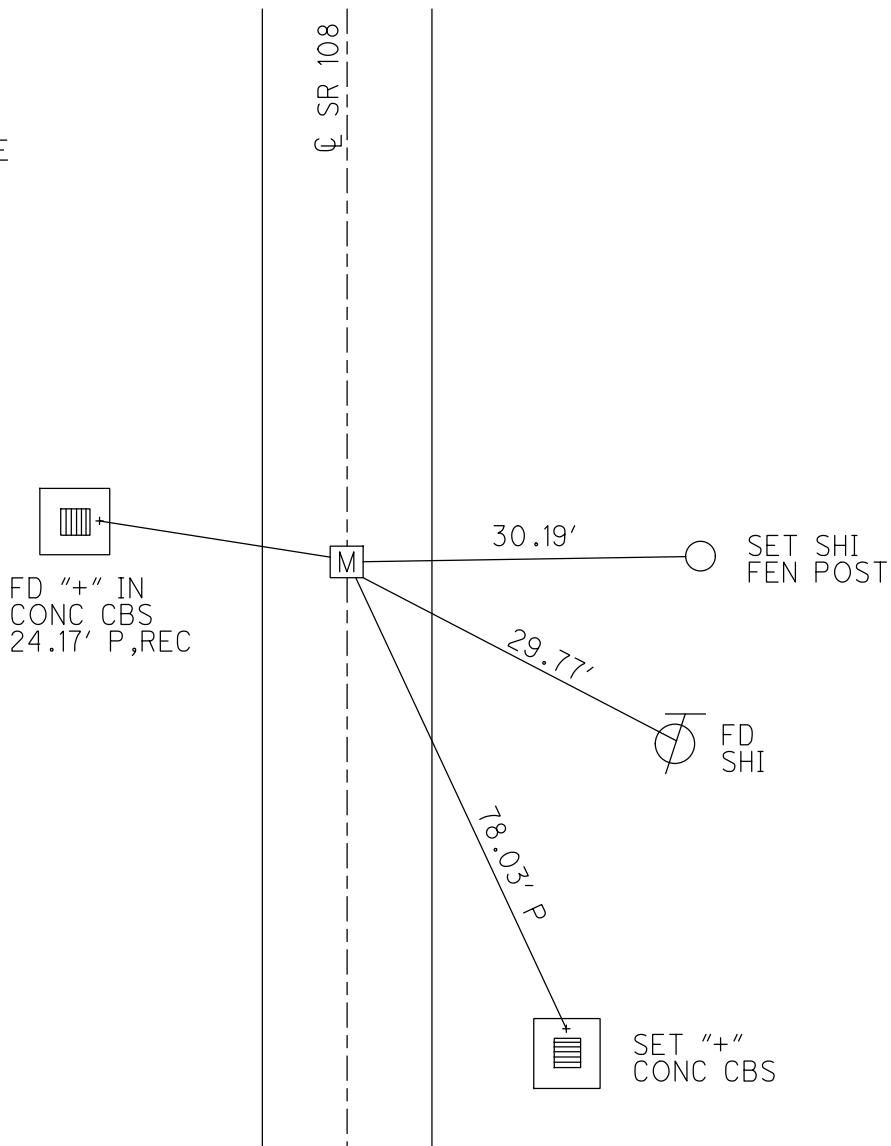
PERSONNEL \_\_\_\_\_ REFERENCE NO. 71 SHEET 13 OF 21  
 NOTES AUBLE DATE 3/28/18 ROUTE SR 108  
 H.C. LEU WEATHER CLOUDY COUNTY HENRY  
 R.C. AUBLE TEMP. 43°F TOWNSHIP FREEDOM  
 DWG BY NIESE PID 101211 SECTION 35  
 T 6 N R 6 E

TYPE MONUMENT MAG/WASHER  
 ON SURFACE - ~~BELOW~~ ON \_\_\_\_\_  
 OFFSET ☉ PAVEMENT 1.0' LT : ~~RT~~  
10.4' TO LT EDGE PAVEMENT  
 STATION: 1016+08.09



HORZ.DATUM: NAD(83)2011 GEOID: 2012A  
 GRID: NORTHING: 648569.702 EASTING: 1520413.310

RECORD:  
 FD 1" IPIPE  
 3" DEEP  
 10/18/84, IRS  
 FD SQ.HEADED SPIKE  
 8/9/94, VD  
 SET P.K./WASHER  
 8/25/94, MB  
 FD P.K./WASHER  
 2/6/08  
 SET MAG/WASHER  
 9/4/09, SAH  
 FD MAG/WASHER  
 REF 71  
 4/4/18, JLL  
 FD MAG/WASHER  
 9/17/19, JLL



O.D.O.T. DISTRICT 2 SURVEY OFFICE (USE ONLY)

PERSONNEL \_\_\_\_\_

REFERENCE NO. 71

SHEET 13 OF 21

NOTES HUSS

DATE 4/15/09

ROUTE SR 108

H.C. CORDES

WEATHER CLDY-BREEZY

COUNTY HENRY

R.C. CORY

TEMP. 47°

TOWNSHIP FREEDOM

SECTION 35

T 6 N R 6 E

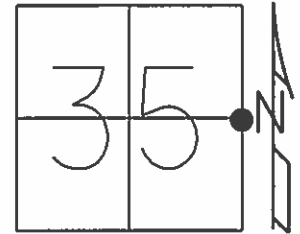
TYPE MONUMENT P.K./WASHER

ON SURFACE - ~~BELOW~~ ON \_\_\_\_\_

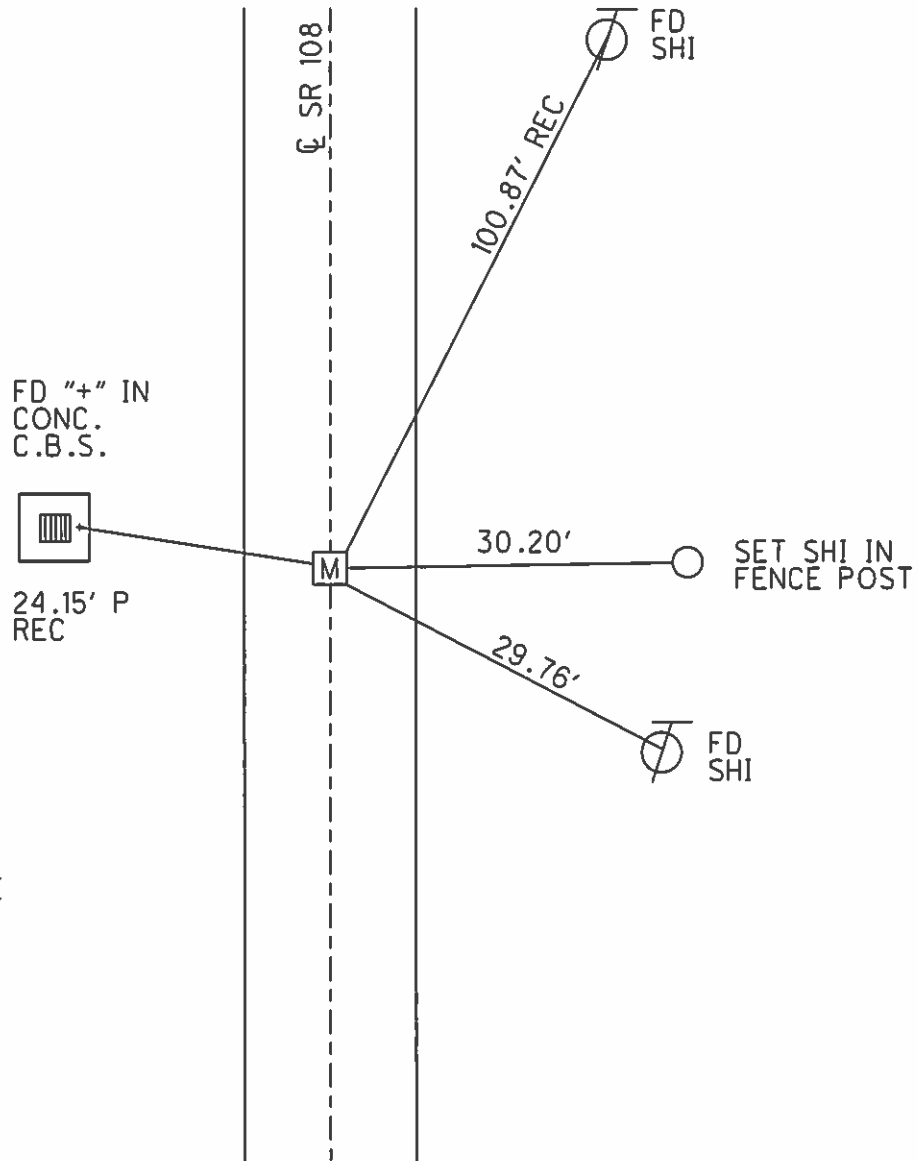
LEFT - Q PAV'T - ~~RIGHT~~ 1.0'

10.4' TO LT EDGE PAVEMENT

S.L.M. 1016+08.09



Grid: Northing: 648569.410 Easting: 1520413.235



RECORD:  
FD. 1" IPIPE  
3" DEEP  
10/18/84, I.STONE

FD SQ.HEADED SPIKE  
8/9/94, VD

SET PK/WASHER  
8/25/94, MB

FD PK/WASHER  
2/6/08

SET MAG/WASHER  
9/4/09, SAH

O.D.O.T. DISTRICT 2 SURVEY OFFICE

PERSONNEL

REFERENCE NO. 71

SHEET 1 OF 8

NOTES VAN DUSEN

H.C. CORDS

R.G. SLOVAK

DATE 8-9-94

WEATHER CLOUDY

TEMP. +55° F

ROUTE 108

COUNTY HENRY

TOWNSHIP FREEDOM

SECTION 36

T 6 N R 6 E

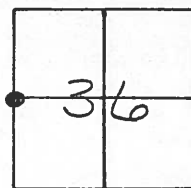
TYPE MONUMENT SQUARE HEAD SPK.

ON SURFACE - ~~BELOW~~ YES

LEFT - 0 PAV'T. - ~~RIGHT~~ 1.0

10.7 TO LT. EDGE PAVEMENT

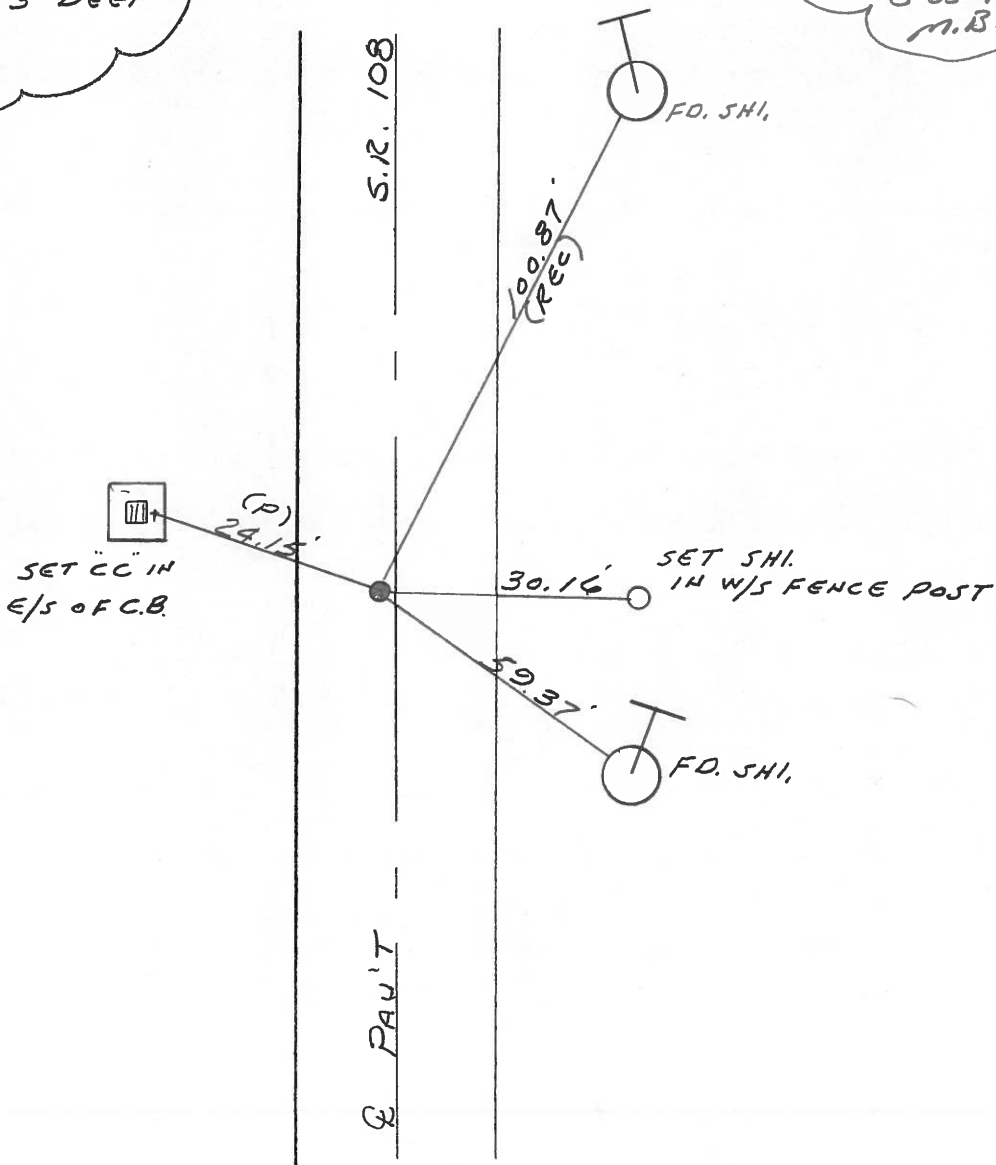
S.L.M. 1015+40



RECORD:

FD. 1" I PIPE 3" DEEP  
I. STONE  
10-18-84

Set PK & WASHER  
8-25-94  
M.B.



Q.D.O.T. DISTRICT 2 SURVEY OFFICE

SHEET 1 OF       

County Henry S.R. 108

Date 22 May 84

Township Freedom

Weather Cloudy

Section 35-36

Temp. 64°

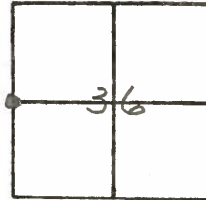
T\_N, R\_E

Personnel L. Stone

P. Neuser

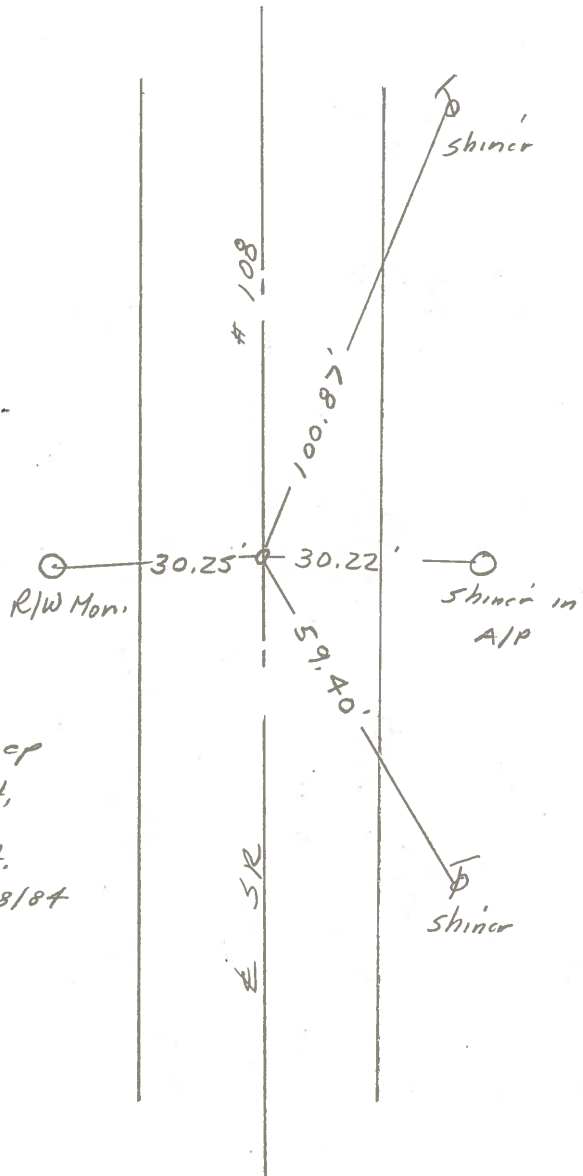
R. Michalak

D. Curtis



SLM 1023+31

REF. NO. 71



Fd. 1" I. pipe 3" deep  
13.2' to E. edge put,  
10.9' to W. edge put.  
Set Small RR Spk 10/18/84

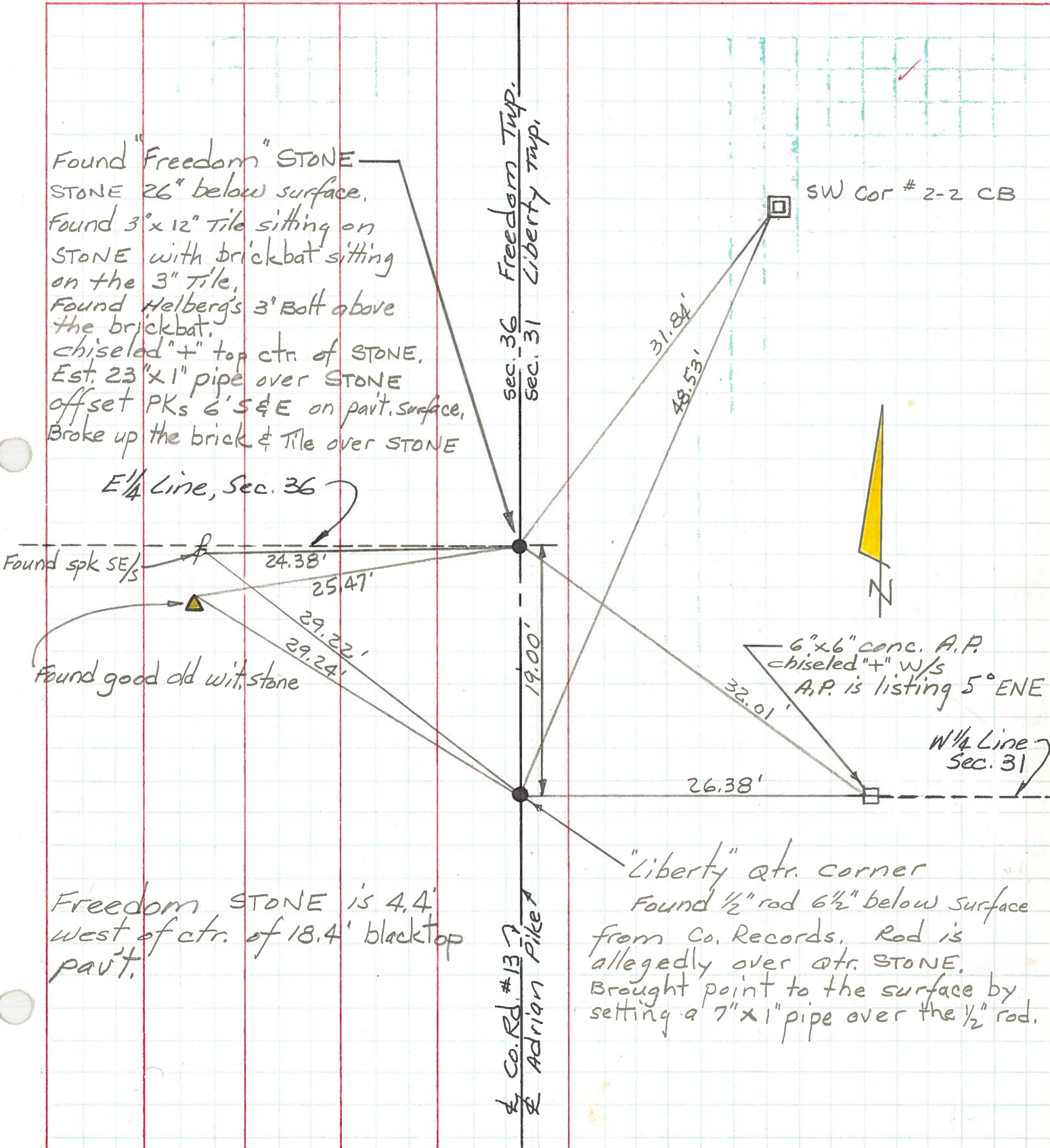
PERSONNEL TITLE PERSONNEL TITLE  
 Red Beach  
 Newcomb  
 Knape

COUNTY HENRY DATE 27 Aug 1971

S. R. Adrian Pike WEATHER

SEC. Freedom Twp. TEMP.

DESCRIPTION CONTROL POINTS LEFT CENTER LINE RIGHT JOB NO.



Found "Freedom" STONE  
 STONE 26" below surface.  
 Found 3" x 12" tile sitting on  
 STONE with brickbat sitting  
 on the 3" tile.  
 Found Helberg's 3" Bott above  
 the brickbat.  
 chiseled "+" top ctr. of STONE.  
 Est. 23" x 1" pipe over STONE  
 offset PKs 6' S&E on part. surface.  
 Broke up the brick & Tile over STONE

E 1/4 Line, Sec. 36

Found spk SE 1/5

Found good old wit. stone

Freedom STONE is 4.4'  
 west of ctr. of 18.4' blacktop  
 part.

Co. Rd. #13  
 Adrian Pike

"Liberty" qtr. corner  
 Found 1/2" rod 6 1/2" below surface  
 from Co. Records. Rod is  
 allegedly over qtr. STONE.  
 Brought point to the surface by  
 setting a 7" x 1" pipe over the 1/2" rod.

SW Cor # 2-2 CB

6" x 6" conc. A.P.  
 chiseled "+" w/s  
 A.P. is listing 5° ENE

W 1/4 Line  
 Sec. 31



PERSONNEL TITLE PERSONNEL TITLE

Red Beach  
Newcomb  
Knappe  
Wise

COUNTY HENRY

DATE Aug 1971

S. R. Freedom Twp.

WEATHER

SEC. 36

TEMP.

ALIGNMENT & CONTROLS

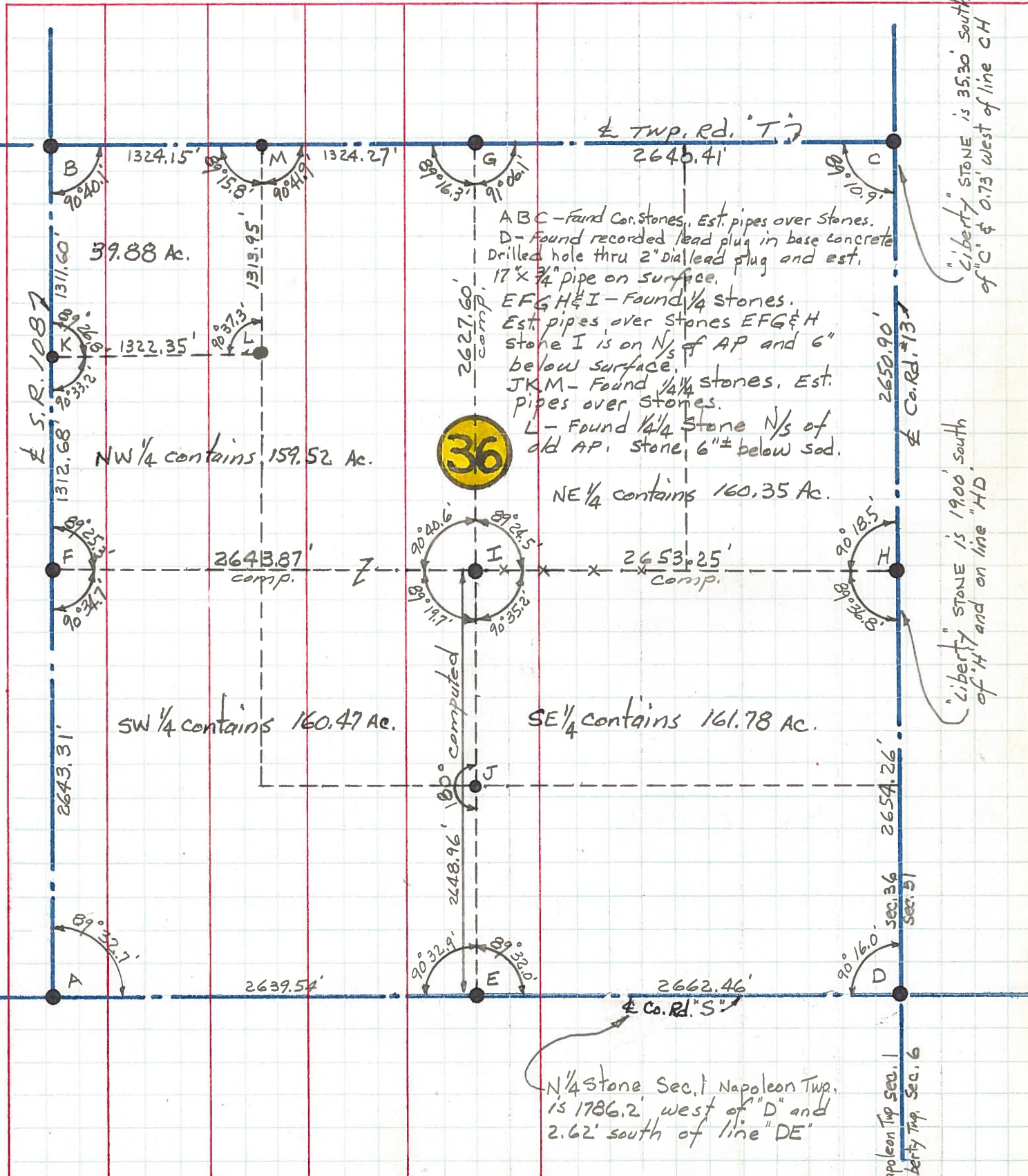
DESCRIPTION

LEFT

CENTER LINE

RIGHT

JOB NO.



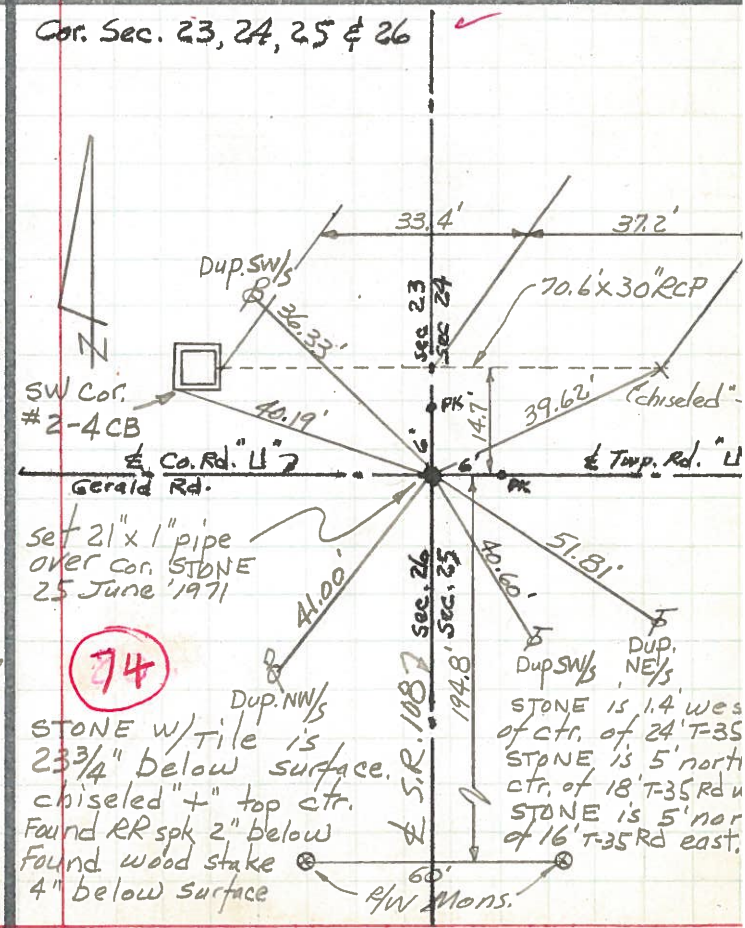
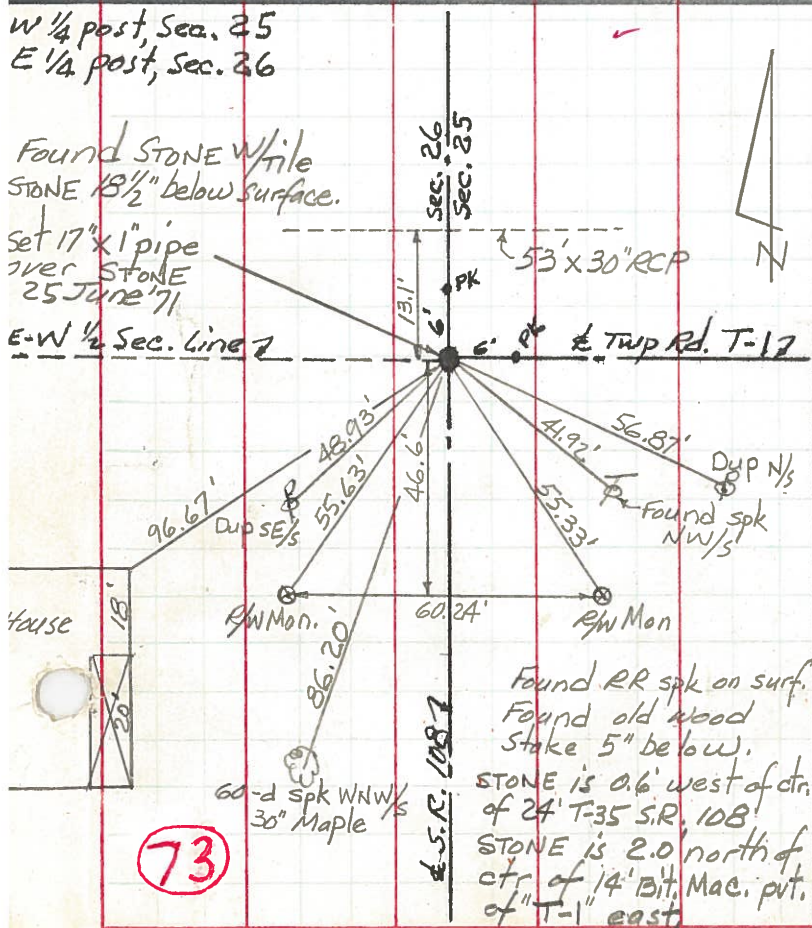
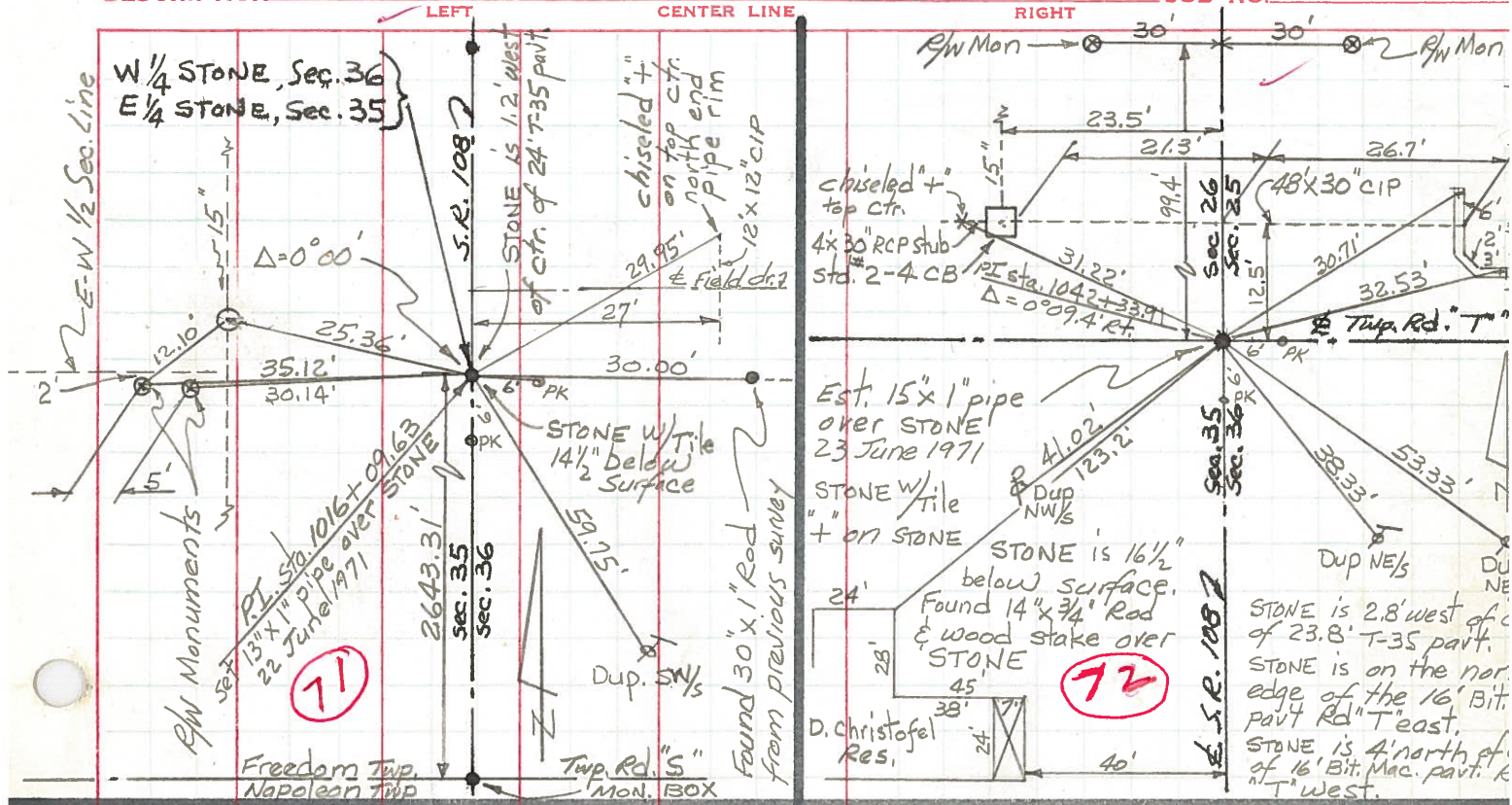
PERSONNEL TITLE PERSONNEL TITLE  
 Red Beach  
 Newcomb  
 Knape  
 Wise

COUNTY HENRY DATE June 1971

S. R. 108 WEATHER

SEC. FREEDOM TWP. TEMP.

DESCRIPTION CONTROL POINTS JOB NO.



PERSONNEL TITLE PERSONNEL TITLE COUNTY HENRY DATE July 1971  
 Red Beach \_\_\_\_\_  
 Newcomb \_\_\_\_\_  
 Knape \_\_\_\_\_  
 Wise \_\_\_\_\_  
 S. R. 108 WEATHER \_\_\_\_\_  
 SEC. Freedom Twp. TEMP. \_\_\_\_\_

DESCRIPTION ALIGNMENT & CONTROLS LEFT CENTER LINE RIGHT JOB NO.

