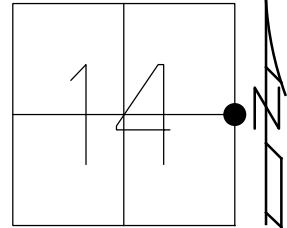


O.D.O.T. DISTRICT 2 SURVEY OFFICE (USE ONLY)

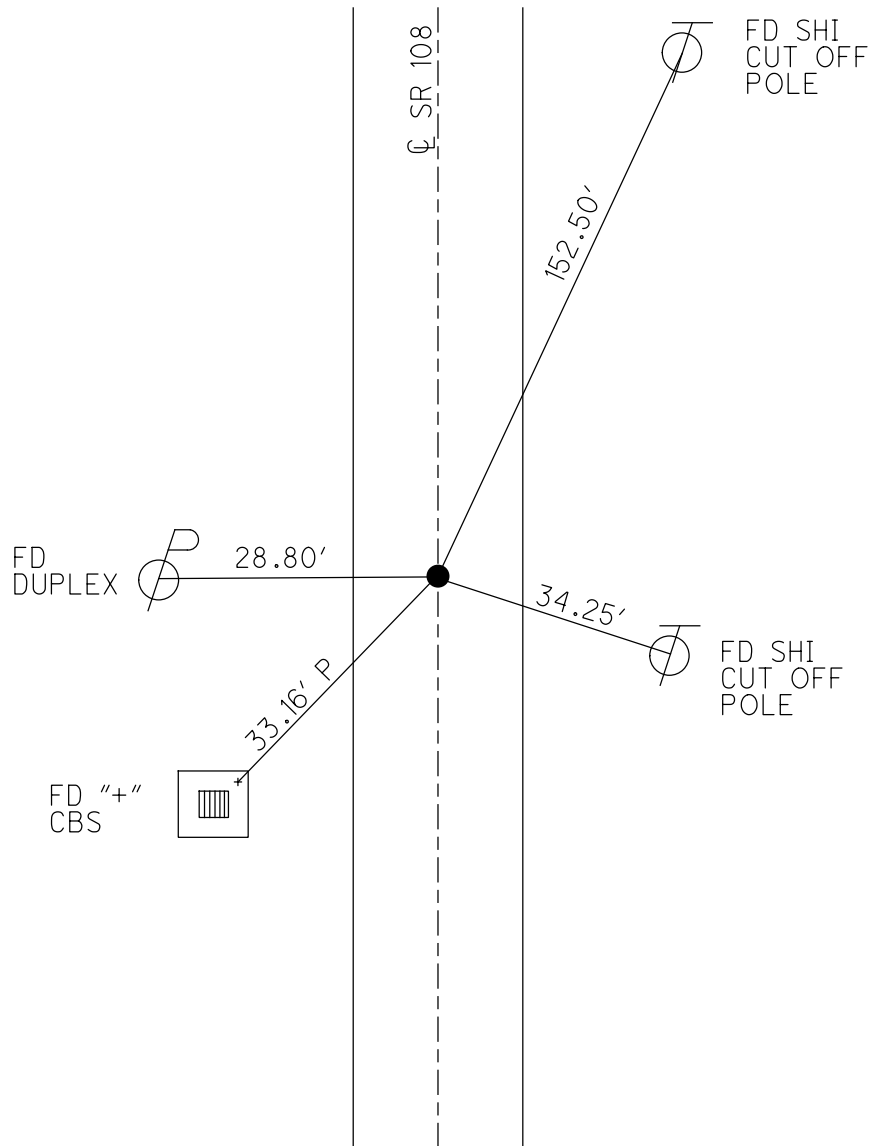
PERSONNEL _____ REFERENCE NO. 77 SHEET 20 OF 21
 NOTES AUBLE DATE 4/02/18 ROUTE SR 108
 H.C. LEU WEATHER CLEAR COUNTY HENRY
 R.C. AUBLE TEMP. 34°F TOWNSHIP FREEDOM
 SECTION 14
 DWG BY NIESE PID 101211 T 6 N R 6 E

TYPE MONUMENT MAG/WASHER
 ON SURFACE - ~~BELOW~~ ON
 OFFSET Q PAVEMENT 2.5' LT : ~~RT~~
9.0' TO LT EDGE PAVEMENT
 STATION: 1174+56.32



HORZ.DATUM: NAD83(2011) GEOID: 2012A
 GRID: NORTHING: 664414.703 EASTING: 1520719.676

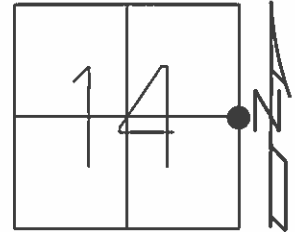
RECORD:
 FD 1" IPIPE
 2" DOWN
 5/22/84, IRS
 FD P.K.NAIL
 8/9/94, VD
 SET P.K./WASHER
 8/25/94, MB
 FD P.K./WASHER
 2/6/08
 SET MAG/WASHER
 9/4/09, SAH
 FD MAG/WASHER
 REF77
 4/4/18, JLL
 FD MAG/WASHER
 9/17/19, JLL



O.D.O.T. DISTRICT 2 SURVEY OFFICE (USE ONLY)

PERSONNEL	REFERENCE NO. <u>77</u>	SHEET <u>20</u> OF <u>21</u>
NOTES <u>HUSS</u>	DATE <u>4/16/09</u>	ROUTE <u>SR 108</u>
H.C. <u>CORDES</u>	WEATHER <u>CLEAR</u>	COUNTY <u>HENRY</u>
R.C. <u>CORY</u>	TEMP. <u>53°</u>	TOWNSHIP <u>FREEDOM</u>
		SECTION <u>14</u>
		T <u>6</u> N R <u>6</u> E

TYPE MONUMENT P.K./WASHER
 ON SURFACE - ~~BELOW~~ ON _____
 LEFT - Q PAV'T - ~~RIGHT~~ 2.5'
9.0' TO LT EDGE PAVEMENT
 S.L.M. 1174+56.32



Grid: Northing: 664414.517 Easting: 1520719.628

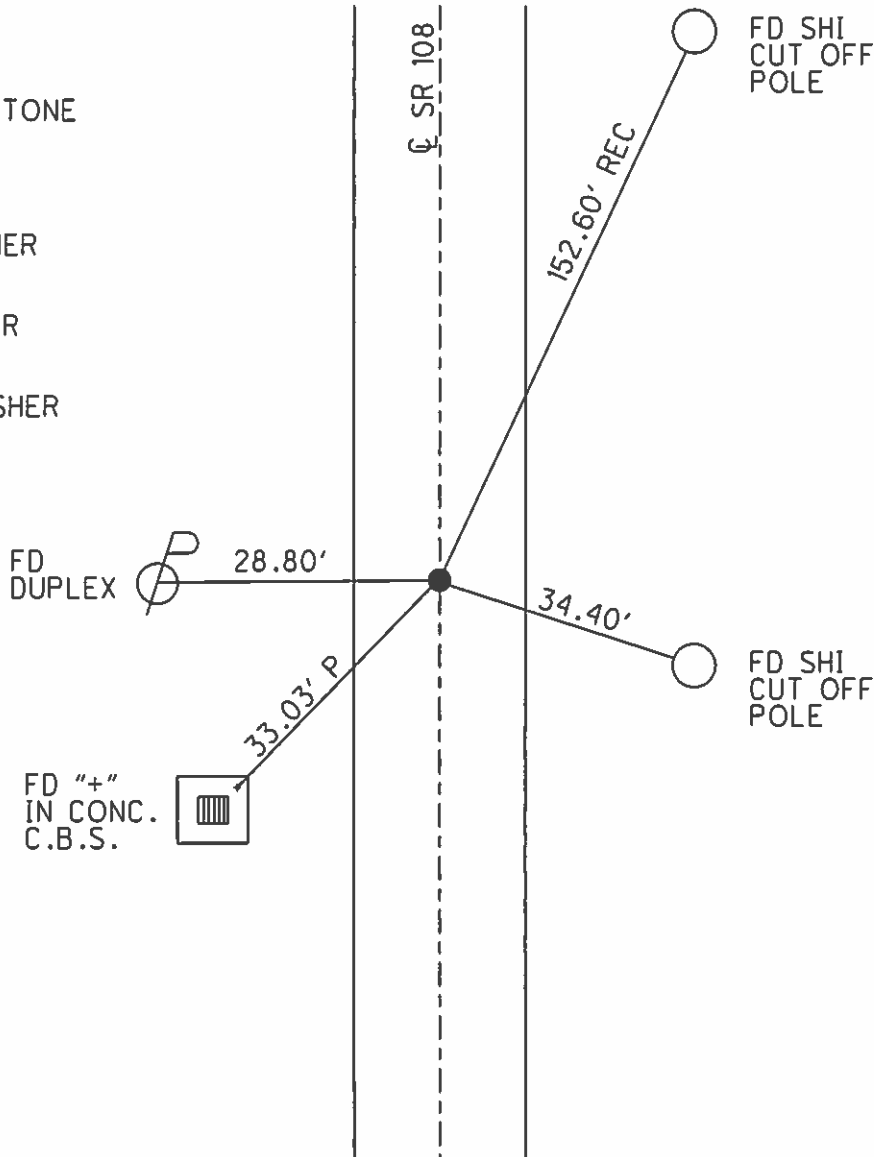
RECORD:
 FD. 1" PIPE
 2" DEEP
 5/22/84, I.STONE

FD PK NAIL
 8/9/94, VD

SET PK/WASHER
 8/25/94, MB

FD PK/WASHER
 2/6/08

SET MAG/WASHER
 9/4/09, SAH



O.D.O.T. DISTRICT 2 SURVEY OFFICE

PERSONNEL _____

REFERENCE NO. 77

SHEET 8 OF 8

NOTES VAN DUSEN

H.C. CDRDES

R.C. SLDVAK

DATE 8-9-94

WEATHER CLOUDY

TEMP. +55°F

ROUTE 108

COUNTY HENRY

TOWNSHIP FREEDOM

SECTION 13

T 6 N R 6 E

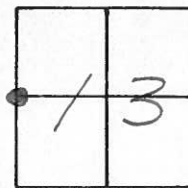
TYPE MONUMENT FD. PK. NAIL

ON SURFACE - ~~BELOW~~ ON SURFACE

LEFT-~~☉~~ PAV'T. - ~~RIGHT~~ 2.2

8.9 TO LT. EDGE PAVEMENT

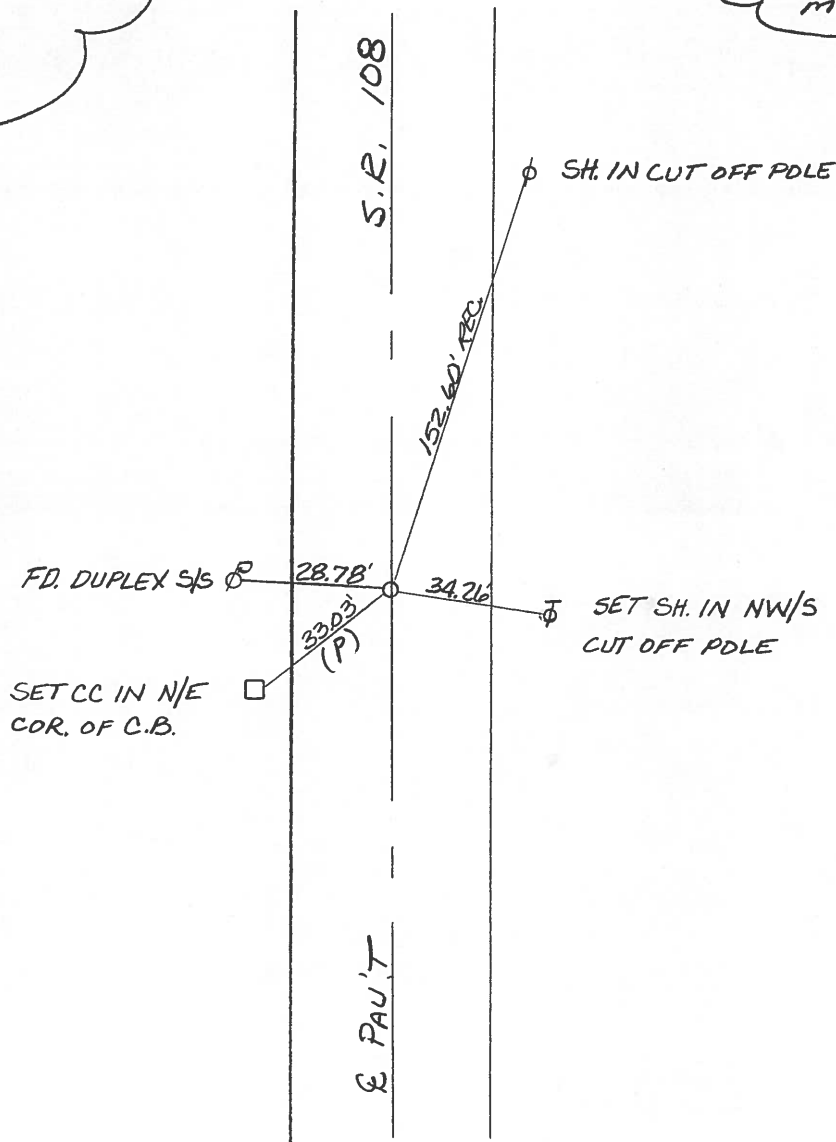
S.L.M. 1173+99



RECORD:

FD 1" I-PIPE 2" deep
5-22-84
I. STONE

B-25-94
SET PK & WASHER
M.B.



Q.D.O.T. DISTRICT 2 SURVEY OFFICE

SHEET 8 OF

County Henry S.R. 108

Date 23 May 84

Township Freedoms

Weather Fair

Section 13

Temp. 65°

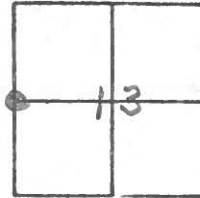
T N, R E

Personnel I. Stone

P. Neuse

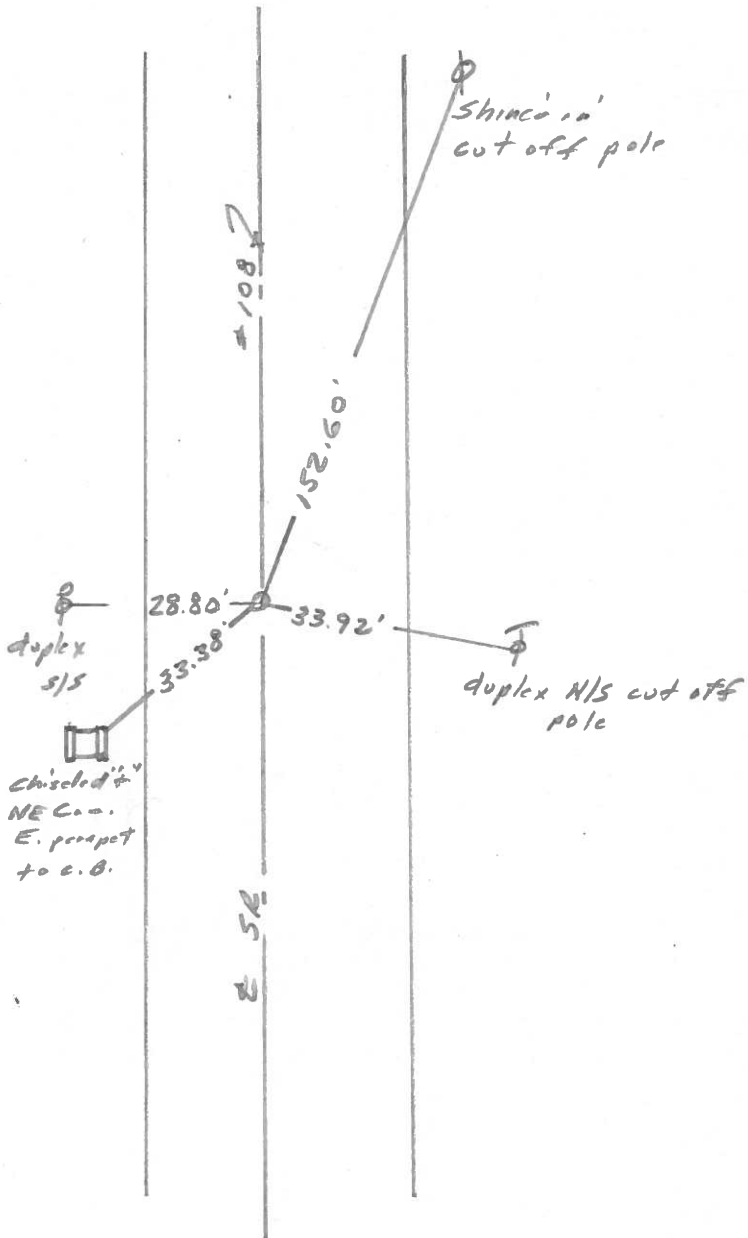
R. Michalak

D. Curtis



SLM 1181+83

REF. NO. 77



FR 1" I. pipe 2" deep
19.7' to E. edge put
9.6' to W. edge put
Set PK Nail 10/18/84

chiseled iron
NE corner
E. parapet
to c.o.

PERSONNEL TITLE PERSONNEL TITLE

Red Beach
Newcomb
Knape

COUNTY HENRY

DATE 18 Aug 1971

S. R. Adrian Pike

WEATHER

SEC. Freedom Twp.

TEMP.

DESCRIPTION

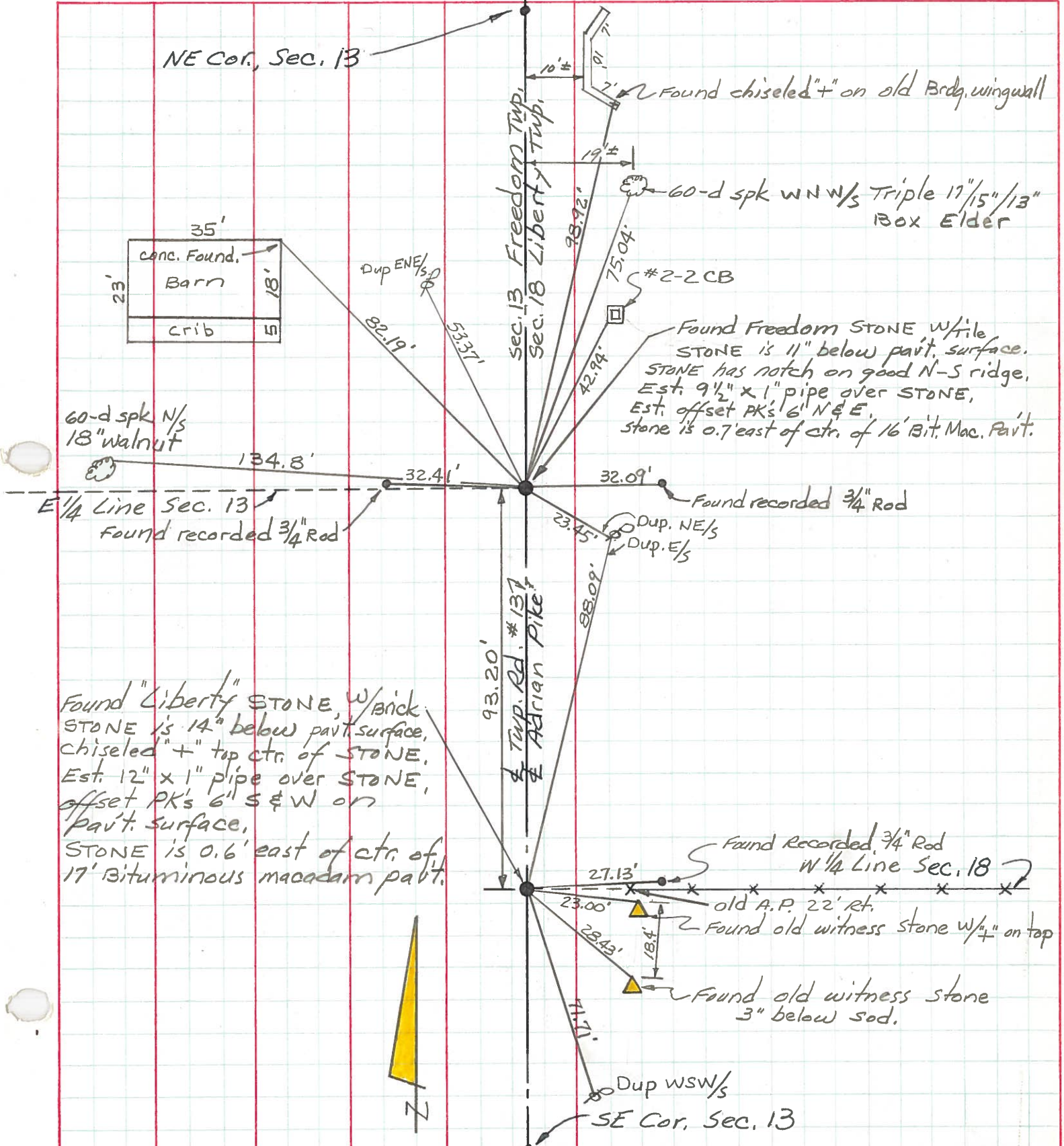
CONTROL POINTS

JOB NO.

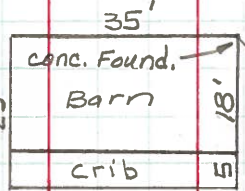
LEFT

CENTER LINE

RIGHT



NE Cor., Sec. 13



60-d spk N/S
18" walnut

60-d spk WNW/S Triple 17"15"/13"
Box Elder

E 1/4 Line Sec. 13
Found recorded 3/4 Rod

Found Freedom Stone w/ tile
STONE is 11" below pav't. surface.
STONE has notch on good N-S ridge,
Est. 9 1/2" x 1" pipe over STONE,
Est. offset PK's 6' N & E,
stone is 0.7' east of ctr. of 16' Bit. Mac. Pav't.

Found "Liberty" Stone, w/ brick
STONE is 14" below pav't. surface,
chiseled "+" top ctr. of STONE,
Est. 12" x 1" pipe over STONE,
offset PK's 6" S & W on
pav't. surface,
STONE is 0.6' east of ctr. of
17' Bituminous macadam pav't.

Found recorded 3/4 Rod

Found Recorded 3/4 Rod
W 1/4 Line Sec. 18
old A.P. 22' Rt.
Found old witness stone w/ "+" on top

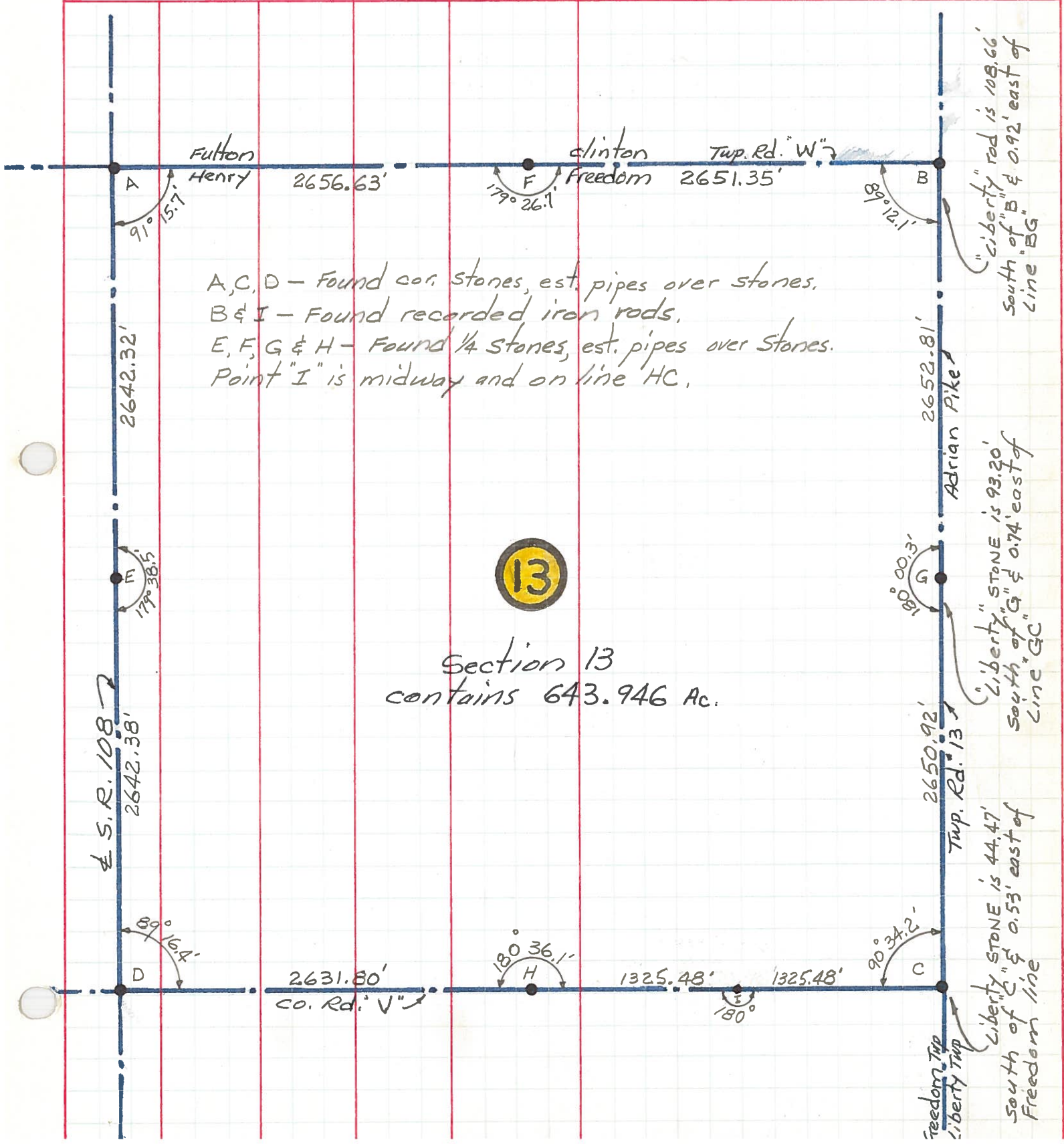
Found old witness stone
3" below sod.

Dup WSW/S
SE Cor., Sec. 13



PERSONNEL TITLE PERSONNEL TITLE COUNTY HENRY DATE Aug. 1971
Red Beach _____
Newcomb _____
Knape _____
Wise _____
 S. R. FREEDOM TWP. WEATHER _____
 SEC. 13 TEMP. _____

DESCRIPTION ALIGNMENT & CONTROLS JOB NO. _____
 LEFT CENTER LINE RIGHT



A, C, D - Found cor. stones, est. pipes over stones.
 B & I - Found recorded iron rods.
 E, F, G & H - Found 1/4 stones, est. pipes over stones.
 Point "I" is midway and on line "HC".

13

Section 13
 contains 643.946 Ac.

"Liberty" rod is 108.66' south of "B" & 0.92' east of line "BG"

"Liberty" stone is 93.30' south of "G" & 0.74' east of line "GC"

Liberty stone is 44.47' south of "C" & 0.53' east of Freedom line

PERSONNEL TITLE PERSONNEL TITLE

Red Beach
Newcomb
Knappe
Wise

COUNTY HENRY

DATE July 1971

S. R. 108

WEATHER

SEC. FREEDOM TWP

TEMP.

DESCRIPTION

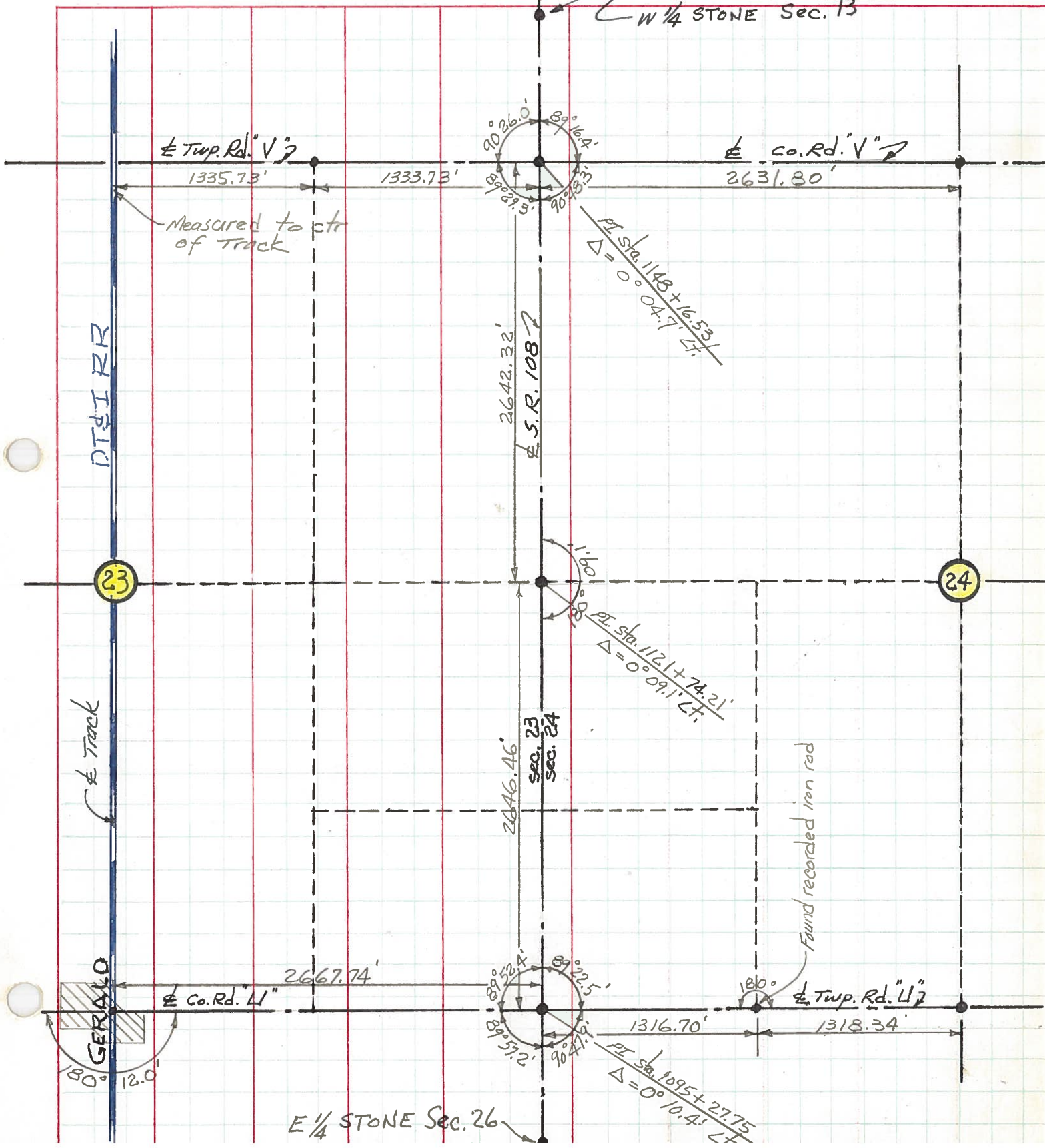
ALIGNMENT & CONTROLS

JOB NO.

LEFT

CENTER LINE

RIGHT



PERSONNEL TITLE PERSONNEL TITLE
 Red Beach _____
 Newcomb _____
 Knape _____
 Wise _____

COUNTY HENRY DATE June 1971

S. R. 108 WEATHER _____

SEC. Freedom Twp TEMP. _____

DESCRIPTION CONTROL POINTS JOB NO.

