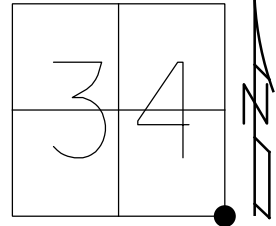


O.D.O.T. DISTRICT 2 SURVEY OFFICE (USE ONLY)

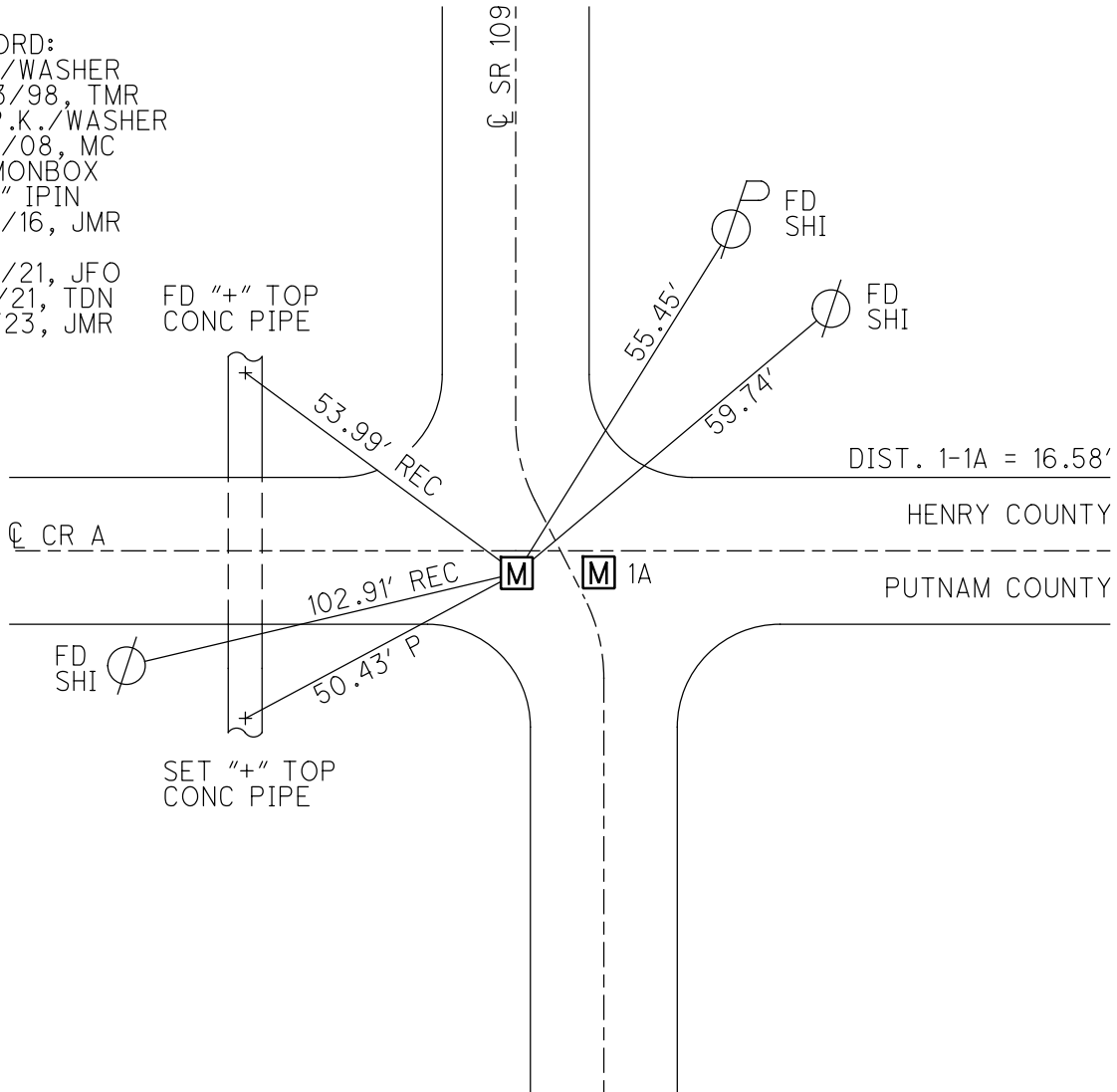
PERSONNEL \_\_\_\_\_ REFERENCE NO. 1 SHEET 1 OF 25  
 NOTES AUBLE DATE 5/18/21 ROUTE SR 109  
 H.C. NIESE WEATHER CLEAR COUNTY HENRY  
 R.C. O'DONNELL TEMP. 70° TOWNSHIP MARION  
 SECTION 34  
 DWG BY NIESE PID PAVETRAIN T 3 N R 7 E

TYPE MONUMENT MONBOX W/ 1" IPIN  
 ON SURFACE - ~~BELOW~~ ON  
 OFFSET Q PAVEMENT 18.1' LT : ~~RT~~  
18.1' TO LT EDGE PAVEMENT 3.0' S. OF CR A  
 STATION: 0+00

HORZ. DATUM: NAD83(2011) GEOID: NAVD88(2012A)  
 GRID: NORTHING: 550290.001 EASTING: 1545792.340



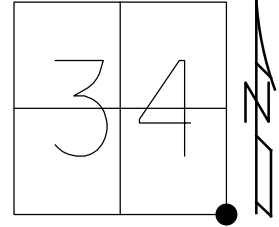
RECORD:  
 P.K./WASHER  
 9/23/98, TMR  
 FD P.K./WASHER  
 5/19/08, MC  
 FD MONBOX  
 W/ 1" IPIN  
 6/17/16, JMR  
 REF1  
 5/18/21, JFO  
 9/3/21, TDN  
 1/11/23, JMR



O.D.O.T. DISTRICT 2 SURVEY OFFICE (USE ONLY)

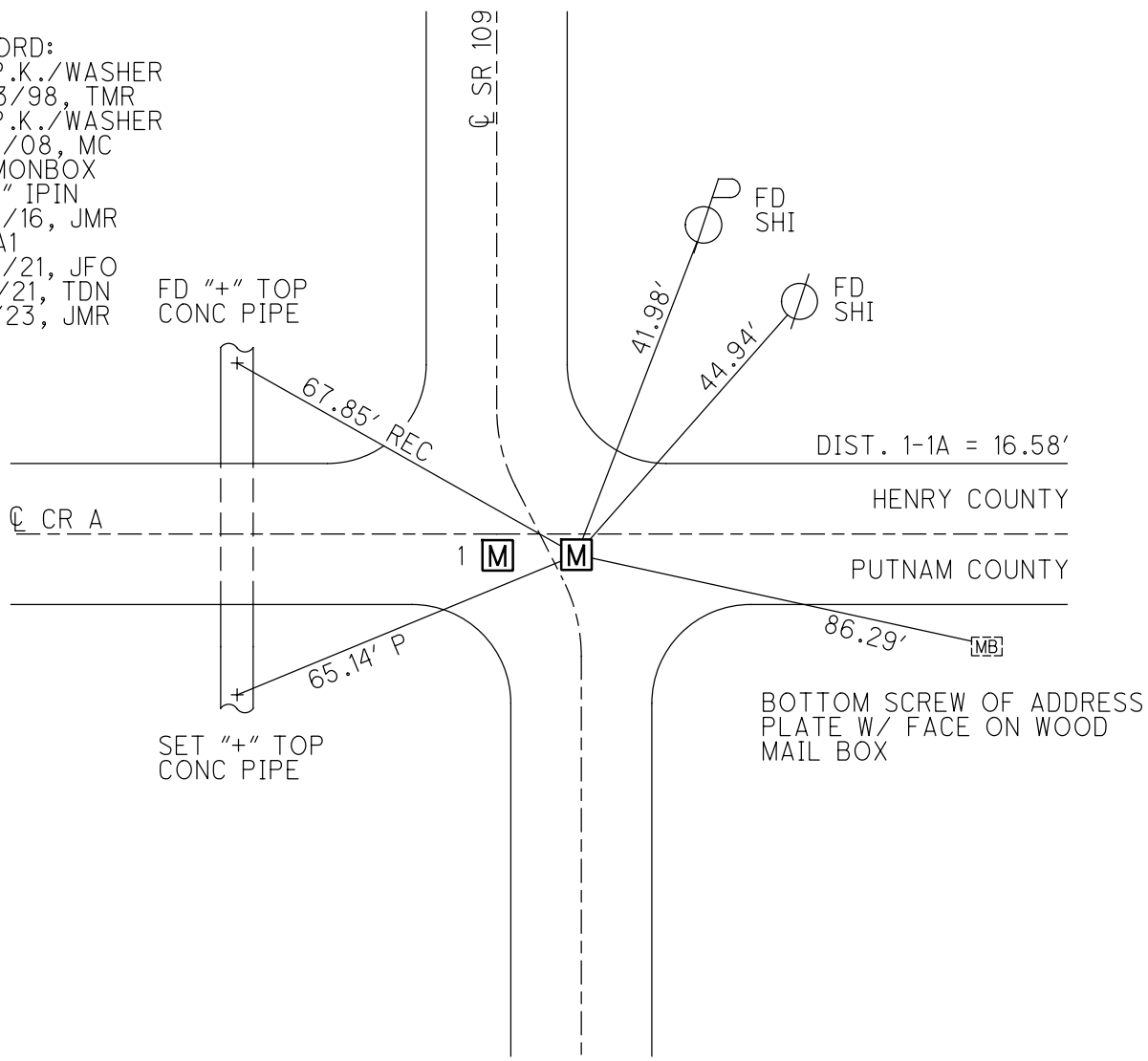
PERSONNEL \_\_\_\_\_ REFERENCE NO. 1 A SHEET 2 OF 25  
 NOTES AUBLE DATE 5/18/21 ROUTE SR 109  
 H.C. NIESE WEATHER CLEAR COUNTY HENRY  
 R.C. O'DONNELL TEMP. 70° TOWNSHIP MARION  
 DWG BY NIESE PID PAVETRAIN SECTION 34  
 T 3 N R 7 E

TYPE MONUMENT MONBOX W/ 1" IPIN  
 ON SURFACE - ~~BELOW~~ ON  
 OFFSET 1.7' ET : RT  
1.7' TO RT EDGE PAVEMENT 3.0' S. OF CR A  
 STATION: 0+00



HORIZ.DATUM: NAD83(2011) GEOID: NAVD88(2012A)  
 GRID: NORTHING: 550289.827 EASTING: 1545808.891

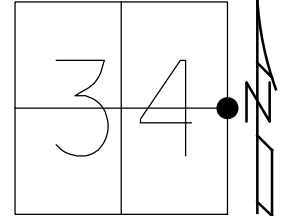
RECORD:  
 FD P.K./WASHER  
 9/23/98, TMR  
 FD P.K./WASHER  
 5/19/08, MC  
 FD MONBOX  
 W/ 1" IPIN  
 6/17/16, JMR  
 REFA1  
 5/18/21, JFO  
 9/3/21, TDN  
 1/11/23, JMR



O.D.O.T. DISTRICT 2 SURVEY OFFICE (USE ONLY)

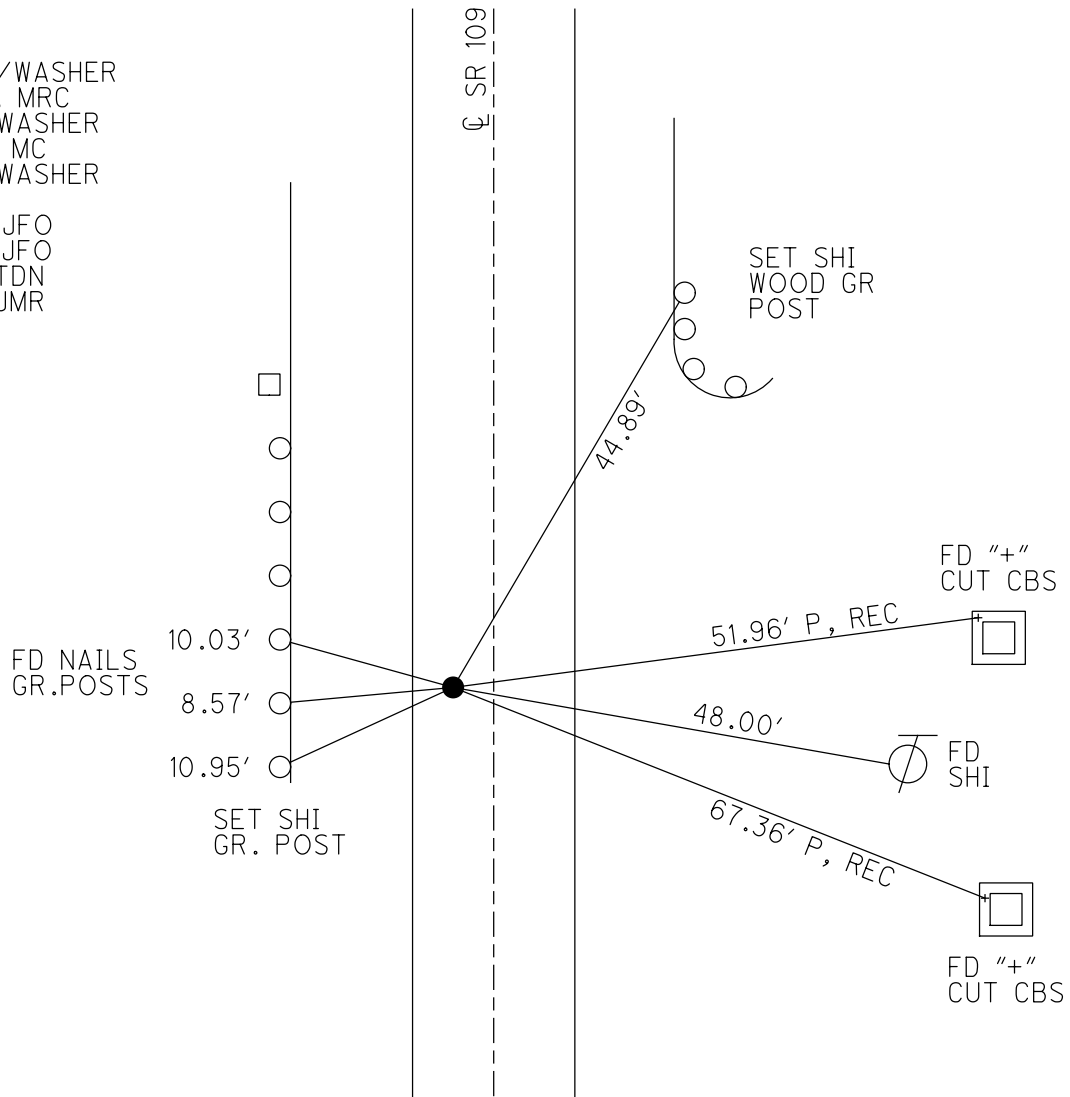
PERSONNEL \_\_\_\_\_ REFERENCE NO. 2 SHEET 3 OF 25  
 NOTES AUBLE DATE 5/18/21 ROUTE SR 109  
 H.C. NIESE WEATHER SUNNY COUNTY HENRY  
 R.C. O'DONNELL TEMP. 70° TOWNSHIP MARION  
 DWG BY NIESE PID PAVETRAIN SECTION 34  
 T 3 N R 7 E

TYPE MONUMENT P.K./WASHER  
 ON SURFACE - ~~BELOW~~ ON  
 OFFSET  $\varnothing$  PAVEMENT 6.8' LT : RT  
3.1' TO LT EDGE PAVEMENT  
 STATION: 26+52



HORZ.DATUM: NAD83(2011) GEOID: NAVD88(2012A)  
 GRID: NORTHING: 552941.237 EASTING: 1545818.519

RECORD:  
 SET P.K./WASHER  
 9/23/98, MRC  
 FD P.K./WASHER  
 5/19/08, MC  
 FD P.K./WASHER  
 REF2  
 6/17/16, JFO  
 5/18/21, JFO  
 9/3/21, TDN  
 1/11/23, JMR



O.D.O.T. DISTRICT 2 SURVEY OFFICE (USE ONLY)

PERSONNEL

REFERENCE NO. 3

SHEET 4 OF 25

NOTES AUBLE

DATE 5/18/21

ROUTE SR 109

H.C. NIESE

WEATHER SUNNY

COUNTY HENRY

R.C. O'DONNELL

TEMP. 70°

TOWNSHIP MARION

SECTION 34

DWG BY NIESE PID PAVETRAIN

T 3 N R 7 E

TYPE MONUMENT P.K./WASHER

ON SURFACE - ~~BELOW~~ ON

OFFSET  $\bar{C}$  PAVEMENT 5.2' LT : ~~RT~~

- TO - EDGE PAVEMENT 5.0' S. OF  $\bar{C}$  W

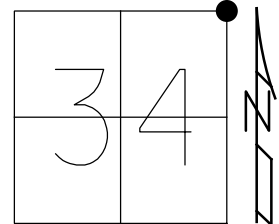
STATION: 53+05

HORZ. DATUM: NAD83(2011)

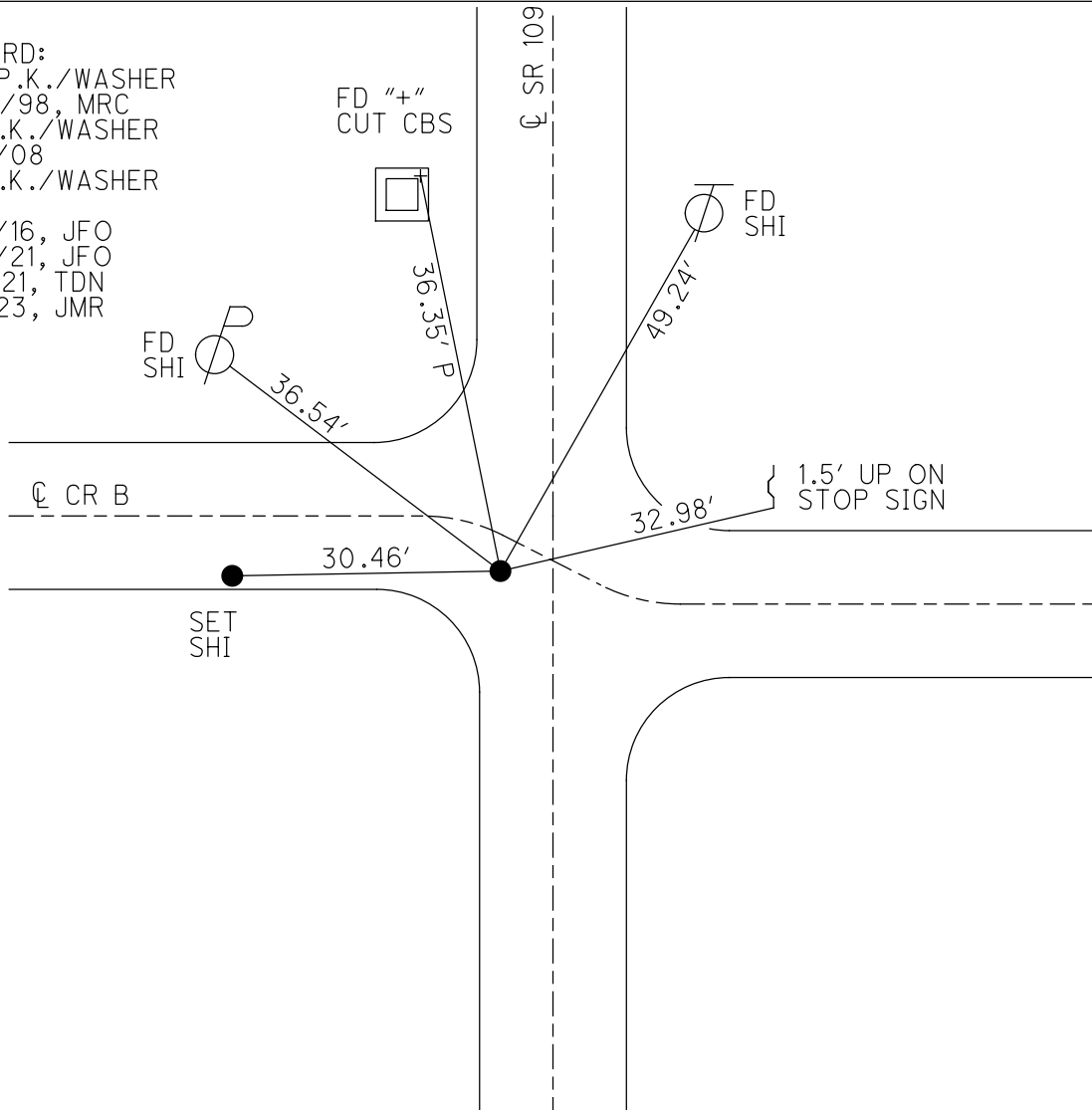
GEOID: NAVD88(2012A)

GRID: NORTHING: 555593.349

EASTING: 1545844.593



RECORD:  
 SET P.K./WASHER  
 9/23/98, MRC  
 FD P.K./WASHER  
 5/19/08  
 FD P.K./WASHER  
 REF3  
 6/17/16, JFO  
 5/18/21, JFO  
 9/3/21, TDN  
 1/11/23, JMR



O.D.O.T. DISTRICT 2 SURVEY OFFICE (USE ONLY)

PERSONNEL

REFERENCE NO. 4

SHEET 5 OF 25

NOTES AUBLE  
H.C. NIESE  
R.C. O'DONNELL

DATE 5/18/21  
WEATHER SUNNY  
TEMP. 75°

ROUTE SR 109  
COUNTY HENRY  
TOWNSHIP MARION  
SECTION 27

DWG BY NIESE PID PAVETRAIN

T 3 N R 7 E

TYPE MONUMENT P.K./WASHER

ON SURFACE - ~~BELOW~~ ON

OFFSET  $\odot$  PAVEMENT 3.0' LT : ~~RT~~

7.0' TO LT EDGE PAVEMENT

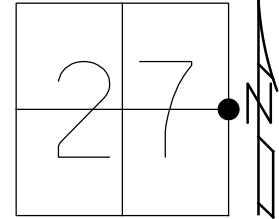
STATION: 79+46

HORZ.DATUM: NAD83(2011)

GEOID: NAVD88(2012A)

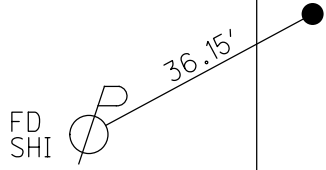
GRID: NORTHING: 558235.165

EASTING: 1545861.223



RECORD:  
SET P.K./WASHER  
9/23/98, MRC  
FD P.K./WASHER  
5/19/08, MC  
FD P.K./WASHER  
REF4  
6/17/16, JFO  
5/18/21, JFO  
9/3/21, TDN  
1/11/23, JMR

$\odot$  SR 109



O.D.O.T. DISTRICT 2 SURVEY OFFICE (USE ONLY)

PERSONNEL

REFERENCE NO. 5

SHEET 6 OF 25

NOTES AUBLE DATE 5/18/21  
 H.C. NIESE WEATHER SUNNY  
 R.C. O'DONNELL TEMP. 75°

ROUTE SR 109  
 COUNTY HENRY  
 TOWNSHIP MARION  
 SECTION 27  
 T 3 N R 7 E

DWG BY NIESE PID PAVETRAIN

TYPE MONUMENT P.K./WASHER

ON SURFACE - ~~BELOW~~ ON

OFFSET  $\varnothing$  PAVEMENT 4.3' LT : ~~RT~~  
5.5' TO LT EDGE PAVEMENT 4.0' S. OF  $\varnothing$  E

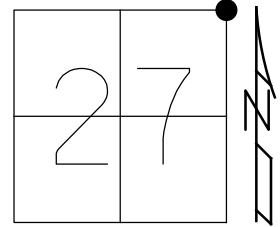
STATION: 105+92

HORZ.DATUM: NAD83(2011)

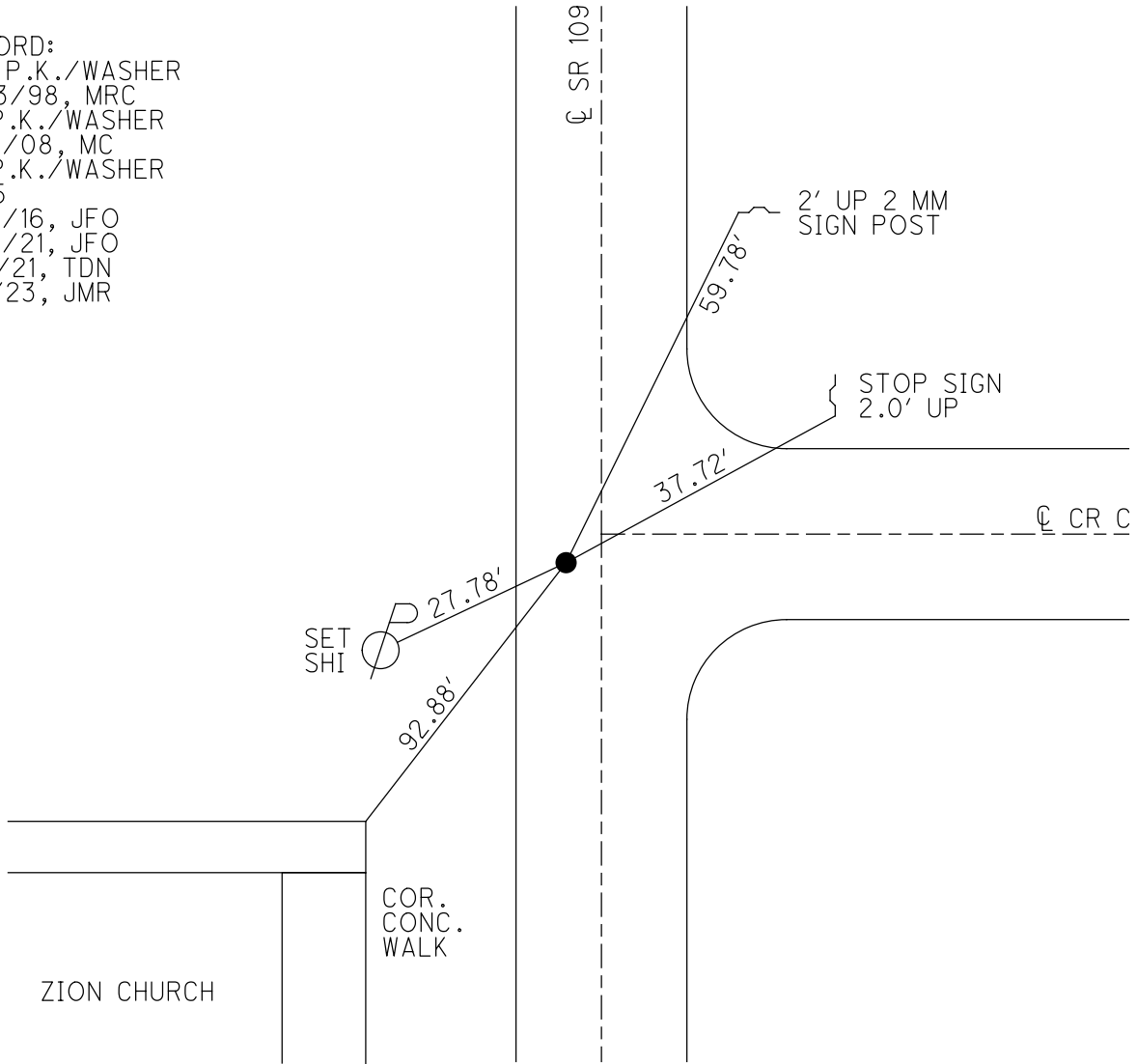
GEOID: NAVD88(2012A)

GRID: NORTHING: 560879.830

EASTING: 1545899.735



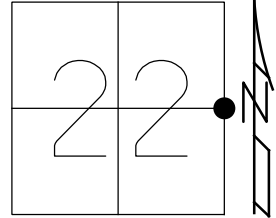
RECORD:  
 SET P.K./WASHER  
 9/23/98, MRC  
 FD P.K./WASHER  
 5/19/08, MC  
 FD P.K./WASHER  
 REF5  
 6/17/16, JFO  
 5/18/21, JFO  
 9/3/21, TDN  
 1/11/23, JMR



O.D.O.T. DISTRICT 2 SURVEY OFFICE (USE ONLY)

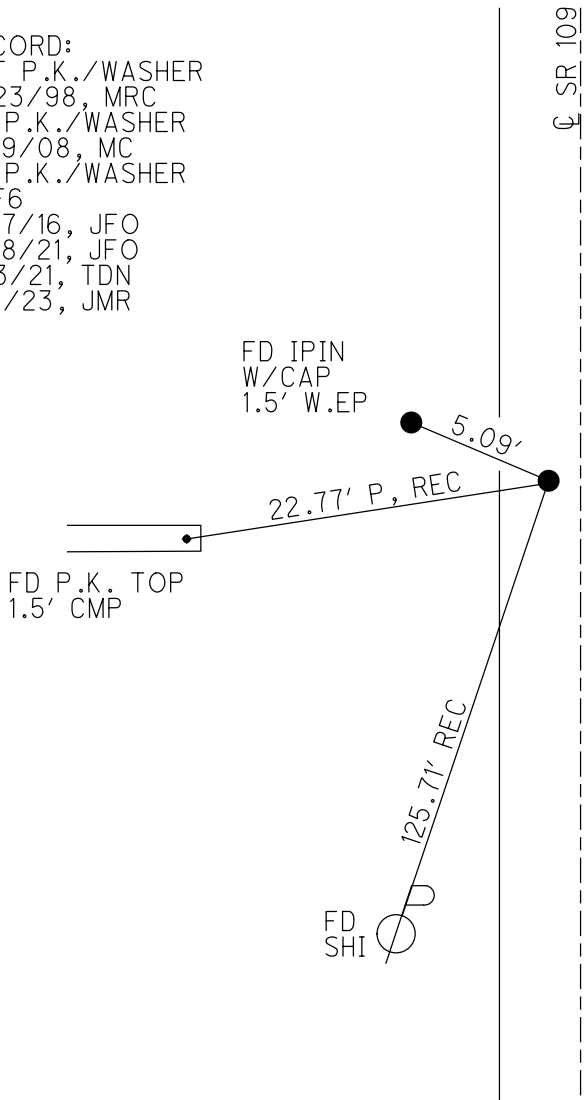
PERSONNEL \_\_\_\_\_ REFERENCE NO. 6 SHEET 7 OF 25  
 NOTES AUBLE DATE 5/18/21 ROUTE SR 109  
 H.C. NIESE WEATHER SUNNY COUNTY HENRY  
 R.C. O'DONNELL TEMP. 74° TOWNSHIP MARION  
 DWG BY NIESE PID PAVETRAIN SECTION 22  
 T 3 N R 7 E

TYPE MONUMENT P.K./WASHER  
 ON SURFACE - ~~BELOW~~ ON  
 OFFSET Q PAVEMENT 8.4' LT : ~~RT~~  
1.6' TO LT EDGE PAVEMENT  
 STATION: 132+44



HORZ. DATUM: NAD83(2011) GEOID: NAVD88(2012A)  
 GRID: NORTHING: 563531.520 EASTING: 1545916.706

RECORD:  
 SET P.K./WASHER  
 9/23/98, MRC  
 FD P.K./WASHER  
 5/19/08, MC  
 FD P.K./WASHER  
 REF6  
 6/17/16, JFO  
 5/18/21, JFO  
 9/3/21, TDN  
 1/11/23, JMR



O.D.O.T. DISTRICT 2 SURVEY OFFICE (USE ONLY)

PERSONNEL

REFERENCE NO. 7

SHEET 8 OF 25

NOTES AUBLE DATE 5/18/21  
 H.C. NIESE WEATHER SUNNY  
 R.C. O'DONNELL TEMP. 74°

ROUTE SR 109  
 COUNTY HENRY  
 TOWNSHIP MARION  
 SECTION 22  
 T 3 N R 7 E

DWG BY NIESE PID PAVETRAIN

TYPE MONUMENT P.K./WASHER

ON SURFACE - ~~BELOW~~ ON

OFFSET ☉ PAVEMENT 7.7' LT : ~~RT~~

- TO - EDGE PAVEMENT 3.5' S. OF ☉ CR D

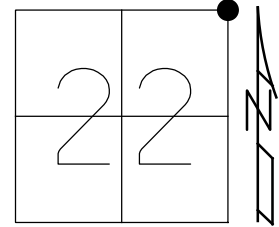
STATION: 158+97

HORZ. DATUM: NAD83(2011)

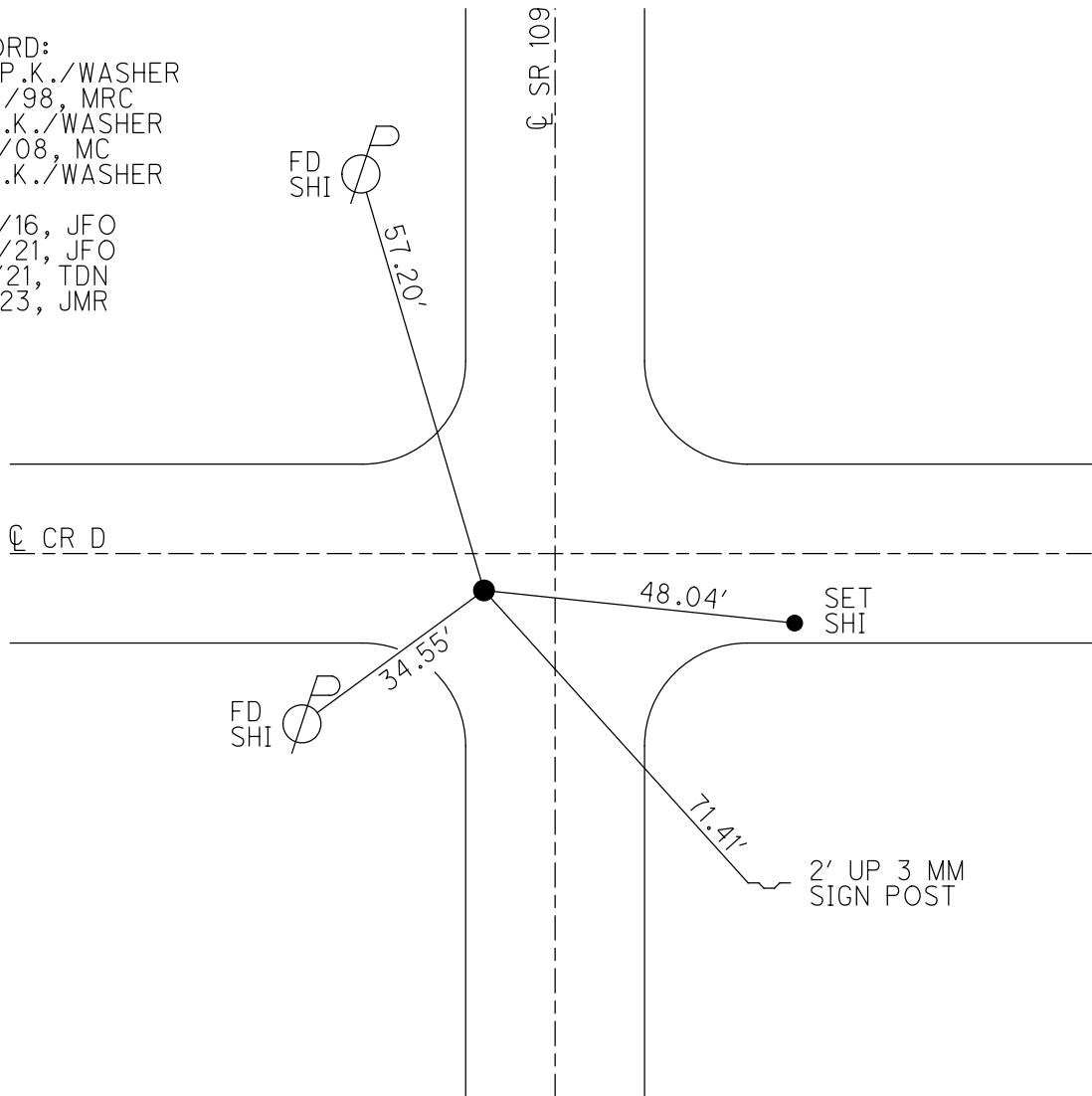
GEOID: NAVD88(2012A)

GRID: NORTHING: 566184.063

EASTING: 1545936.424



RECORD:  
 SET P.K./WASHER  
 9/23/98, MRC  
 FD P.K./WASHER  
 5/19/08, MC  
 FD P.K./WASHER  
 REF7  
 6/17/16, JFO  
 5/18/21, JFO  
 9/3/21, TDN  
 1/11/23, JMR

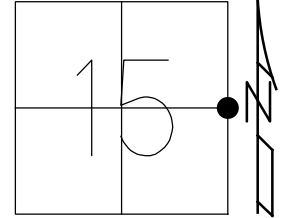




O.D.O.T. DISTRICT 2 SURVEY OFFICE (USE ONLY)

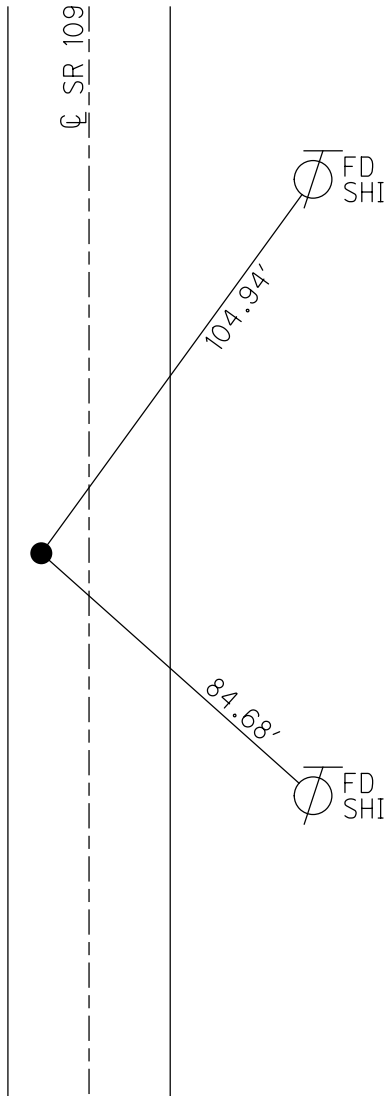
PERSONNEL \_\_\_\_\_ REFERENCE NO. 8 SHEET 9 OF 25  
NOTES AUBLE DATE 5/18/21 ROUTE SR 109  
H.C. NIESE WEATHER SUNNY COUNTY HENRY  
R.C. O'DONNELL TEMP. 74° TOWNSHIP MARION  
SECTION 15  
DWG BY NIESE PID PAVETRAIN T 3 N R 7 E

TYPE MONUMENT P.K./WASHER  
ON SURFACE - ~~BELOW~~ ON  
OFFSET 7.4' LT : ~~RT~~  
2.3' TO LT EDGE PAVEMENT  
STATION: 185+46



HORZ.DATUM: NAD83(2011) GEOID: NAVD88(2012A)  
GRID: NORTHING: 568829.858 EASTING: 1545957.459

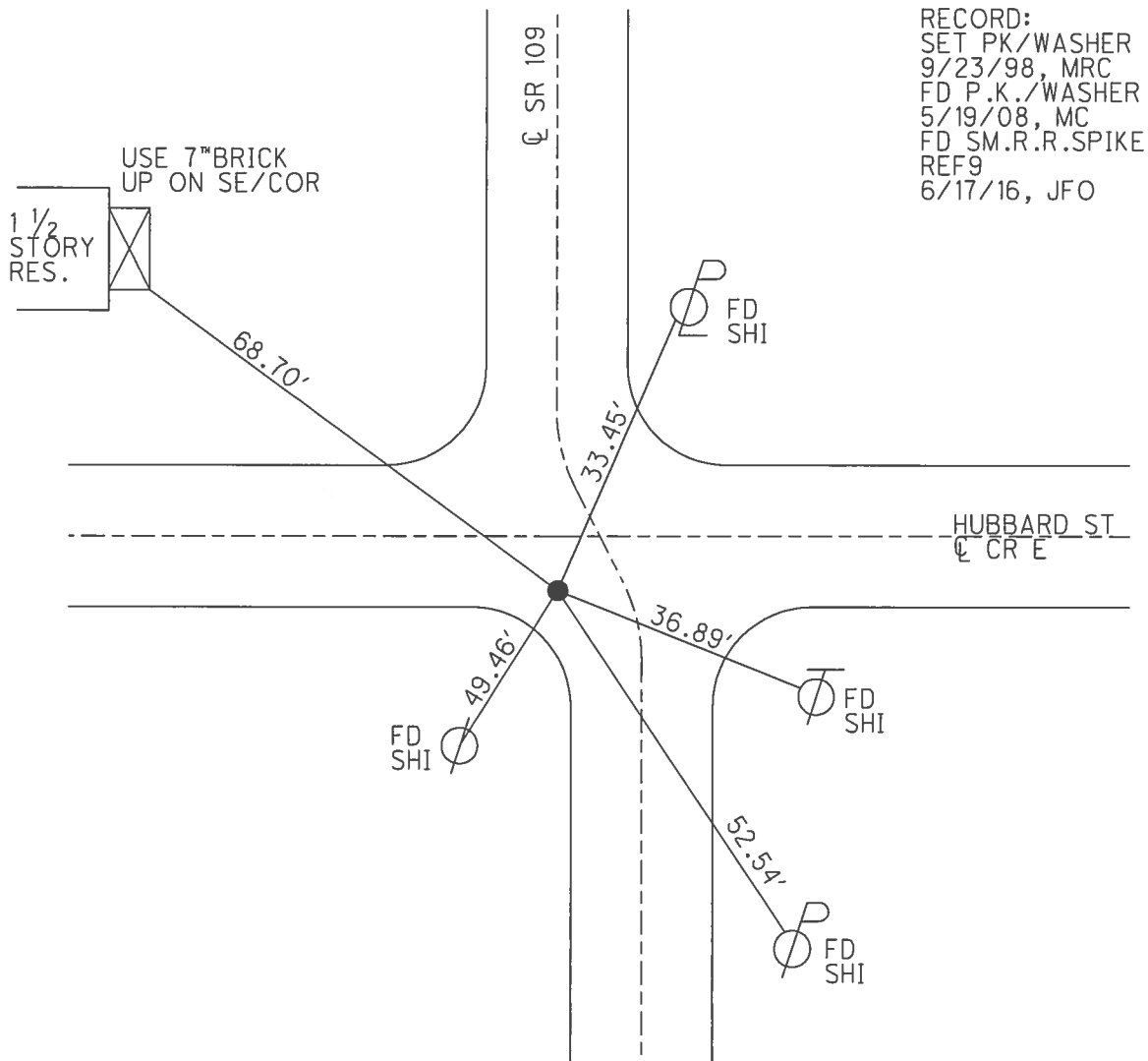
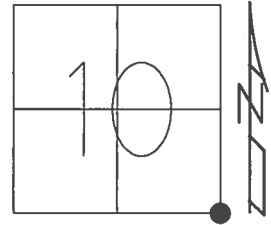
RECORD:  
SET P.K./WASHER  
9/23/98, MRC  
FD P.K./WASHER  
5/19/08, MC  
FD P.K./WASHER  
REF8  
6/17/16, JFO  
5/18/21, JFO  
9/3/21, TDN  
1/11/23, JMR



O.D.O.T. DISTRICT 2 SURVEY OFFICE (USE ONLY)

PERSONNEL \_\_\_\_\_ REFERENCE NO. 9 SHEET 10 OF 26  
 NOTES MOSER DATE 6/30/08 ROUTE SR 109  
 H.C. CANTERBURY WEATHER OVERCAST COUNTY HENRY  
 R.C. MOSER TEMP. 65° TOWNSHIP MARION  
 \_\_\_\_\_ SECTION 10  
 \_\_\_\_\_ T 3 N R 7 E

TYPE MONUMENT SM.R.R.SPIKE  
 ON SURFACE - ~~BELOW~~ ON \_\_\_\_\_  
 LEFT - ☉ PAV'T - ~~RIGHT~~ 5.0', 2.2' S OF ☉ W  
 \_\_\_\_\_ TO \_\_\_\_\_ EDGE PAVEMENT  
 S.L.M. 211+90  
 Grid: Northing: 571475.342 Easting: 1545978.503



RECORD:  
 SET PK/WASHER  
 9/23/98, MRC  
 FD P.K./WASHER  
 5/19/08, MC  
 FD SM.R.R.SPIKE  
 REF9  
 6/17/16, JFO

O.D.O.T. DISTRICT 2 SURVEY OFFICE (USE ONLY)

PERSONNEL \_\_\_\_\_ REFERENCE NO. 9 A SHEET 11 OF 26  
 NOTES CANTERBURY DATE 05-07-1998 ROUTE SR 109  
 H.C. CANTERBURY WEATHER OVERCAST COUNTY HENRY  
 R.C. ROUSOS TEMP. 65° TOWNSHIP MARION  
 \_\_\_\_\_ SECTION 10  
 \_\_\_\_\_ T 3 N R 7 E

TYPE MONUMENT PK

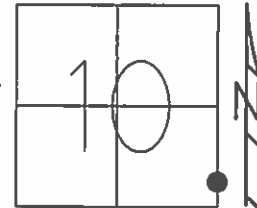
ON SURFACE - BELOW ON

~~LEFT~~ - ☉ PAV'T - ~~RIGHT~~ ON, 34' S OF PVM'T OF COWEN ST.

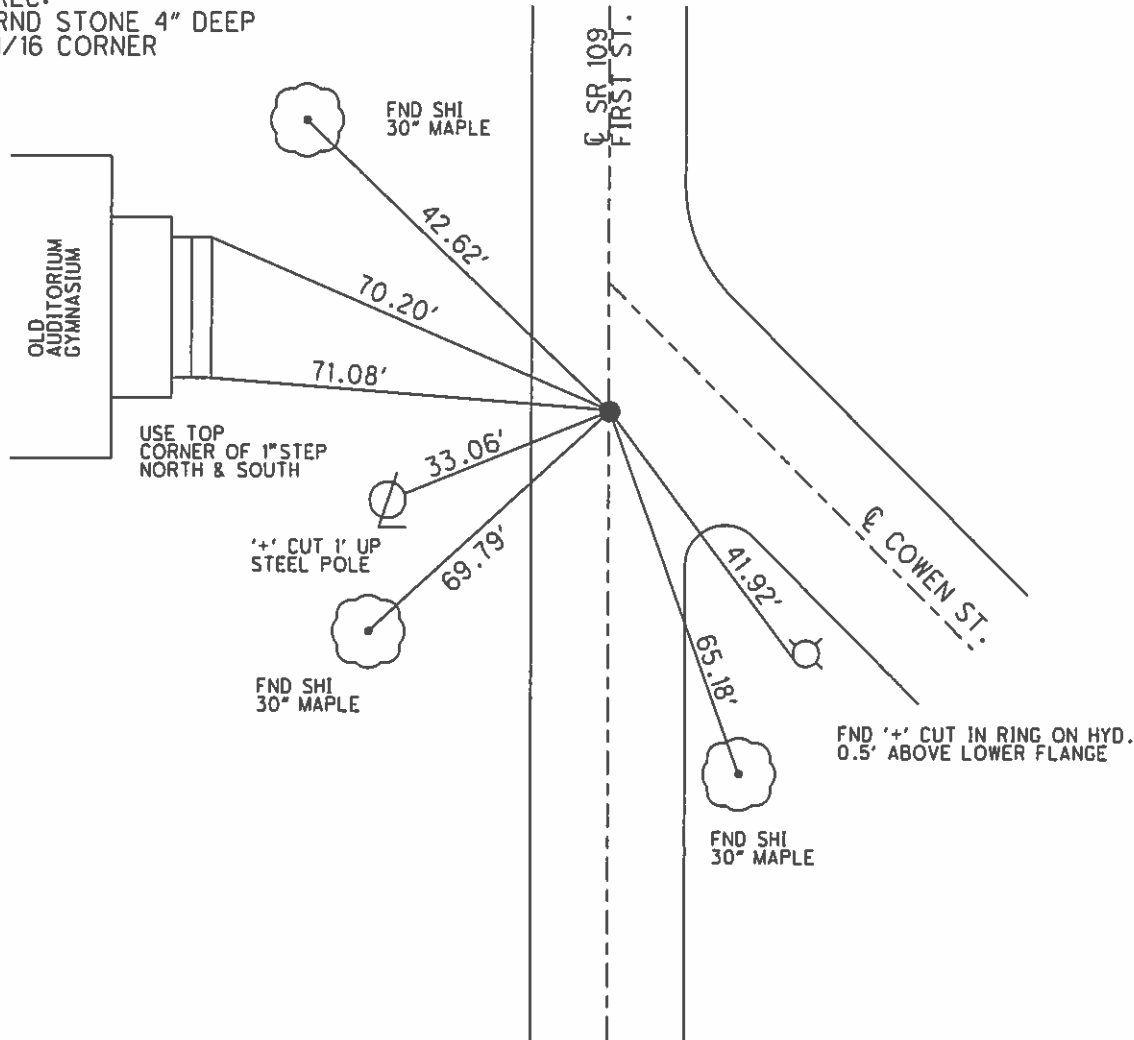
16.7' TO LT FACE OF CURB

S.L.M. 225+15

Grid: Northing: \_\_\_\_\_ Easting: \_\_\_\_\_



REC:  
 RND STONE 4" DEEP  
 1/16 CORNER

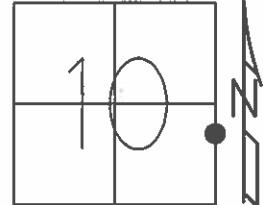


O.D.O.T. DISTRICT 2 SURVEY OFFICE (USE ONLY)

PERSONNEL \_\_\_\_\_ REFERENCE NO. 9 C SHEET 12 OF 26

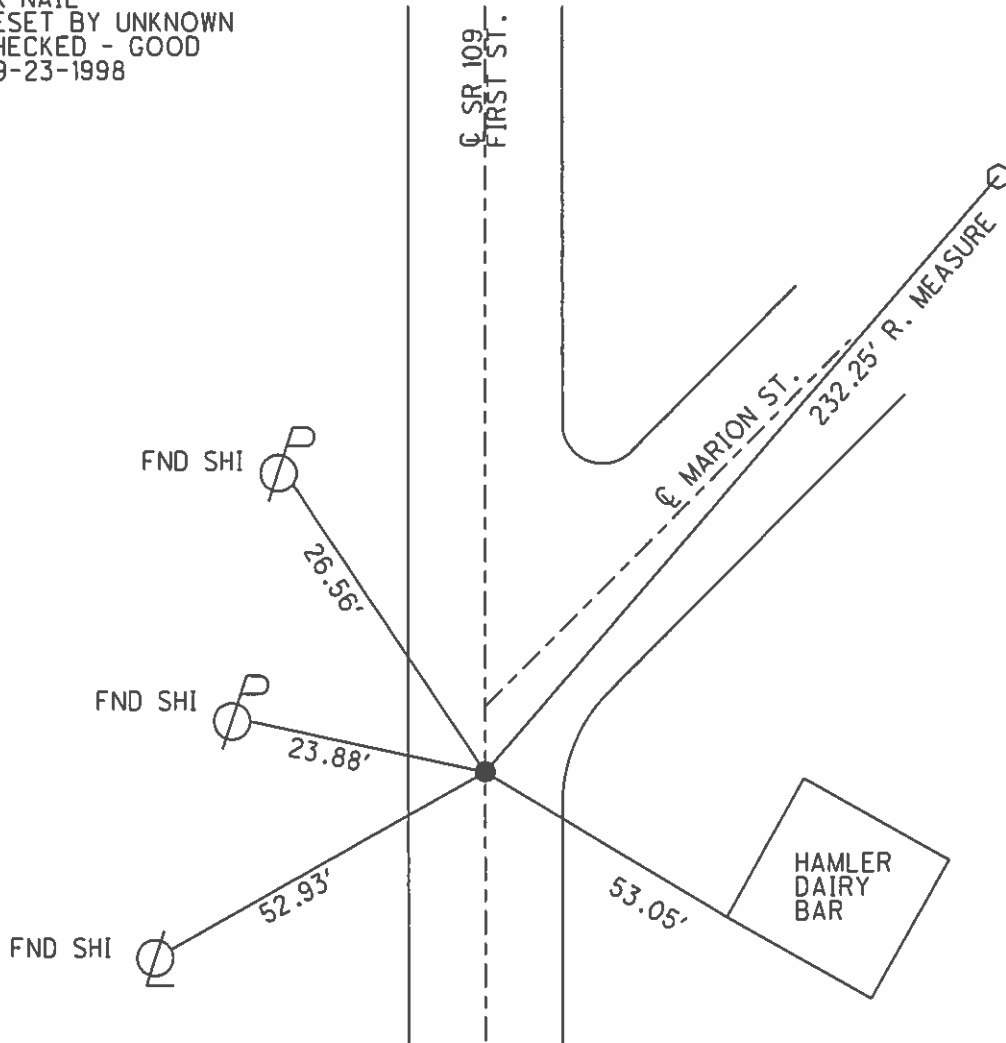
NOTES CANTERBURY DATE 05-07-1998 ROUTE SR 109  
 H.C. CANTERBURY WEATHER CLOUDY COUNTY HENRY  
 R.C. ROUSOS TEMP. 65° TOWNSHIP MARION  
 SECTION 10  
 T 3 N R 7 E

TYPE MONUMENT PK  
 ON SURFACE - ~~BELOW~~ ON \_\_\_\_\_  
~~LEFT~~ - ☉ PAV'T - ~~RIGHT~~ ON \_\_\_\_\_  
16.3 TO LT EDGE OF CURB  
 S.L.M. 226+95



Grid: Northing: \_\_\_\_\_ Easting: \_\_\_\_\_

PK NAIL  
 RESET BY UNKNOWN  
 CHECKED - GOOD  
 09-23-1998



O.D.O.T. DISTRICT 2 SURVEY OFFICE (USE ONLY)

PERSONNEL

REFERENCE NO. -

SHEET 13 OF 26

NOTES BURNSIDE

DATE 05-22-1979

ROUTE TOWN OF HAMLER

H.C. SMITH

WEATHER CLEAR

COUNTY HENRY

R.C. KNAP

TEMP. 54°

TOWNSHIP MARION

MEAD

SECTION 11

T 3 N R 7 E

TYPE MONUMENT 1" IRON ROD

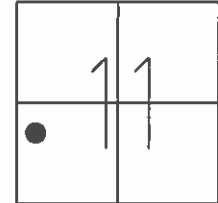
ON SURFACE - BELOW ON

LEFT - ☉ PAV'T - RIGHT ON

- TO - EDGE PAVEMENT

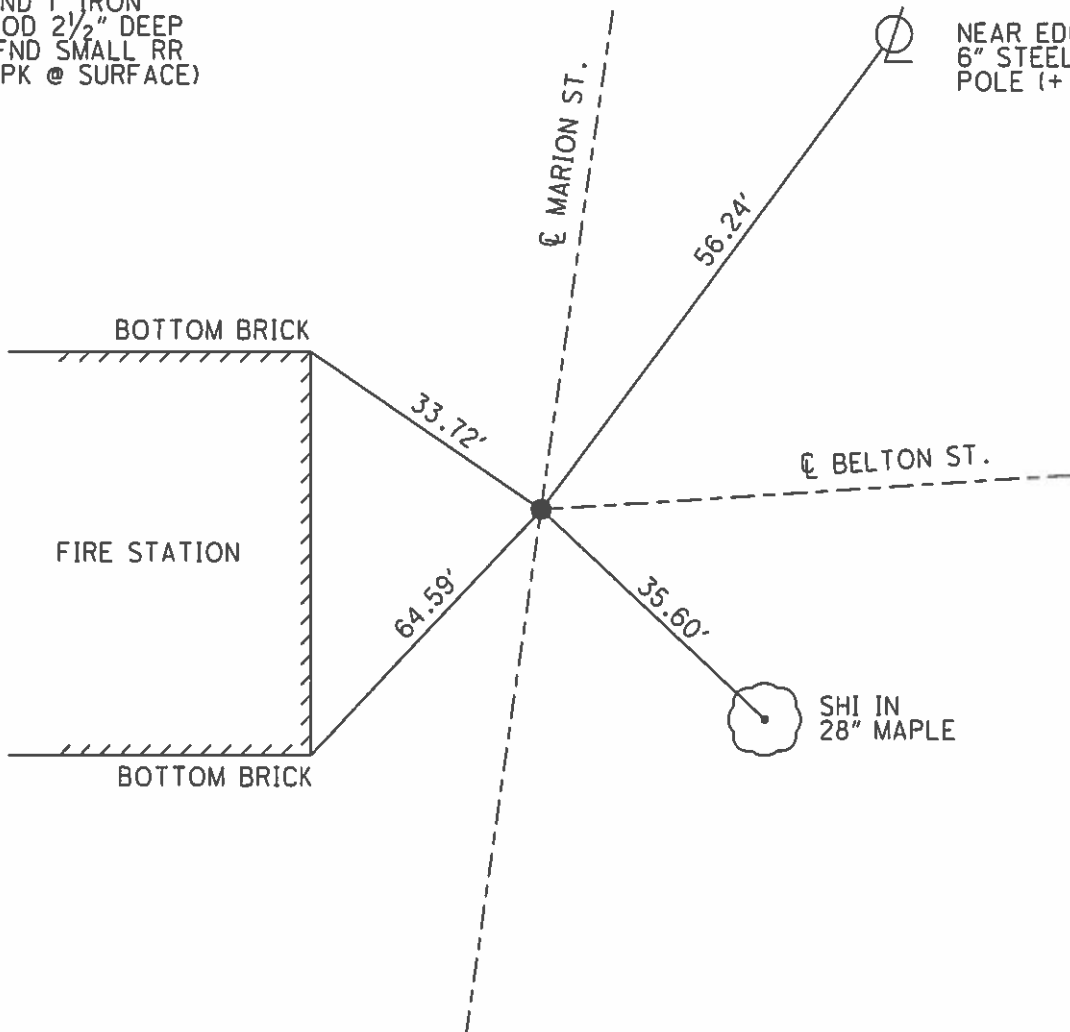
S.L.M. -

Grid: Northing: \_\_\_\_\_ Easting: \_\_\_\_\_



FND 1" IRON  
ROD 2 1/2" DEEP  
(FND SMALL RR  
SPK @ SURFACE)

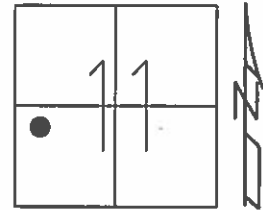
NEAR EDGE  
6" STEEL LIGHT  
POLE (+ 1' UP)



O.D.O.T. DISTRICT 2 SURVEY OFFICE (USE ONLY)

PERSONNEL \_\_\_\_\_ REFERENCE NO. \_\_\_\_\_ SHEET 14 OF 26  
 NOTES BURNSIDE DATE 05-22-1979 ROUTE TOWN OF HAMLER  
 H.C. SMITH WEATHER CLEAR COUNTY HENRY  
 R.C. KNAPE TEMP. 54° TOWNSHIP MARION  
 \_\_\_\_\_ MEAD \_\_\_\_\_ SECTION 11  
 \_\_\_\_\_ T 3 N R 7 E

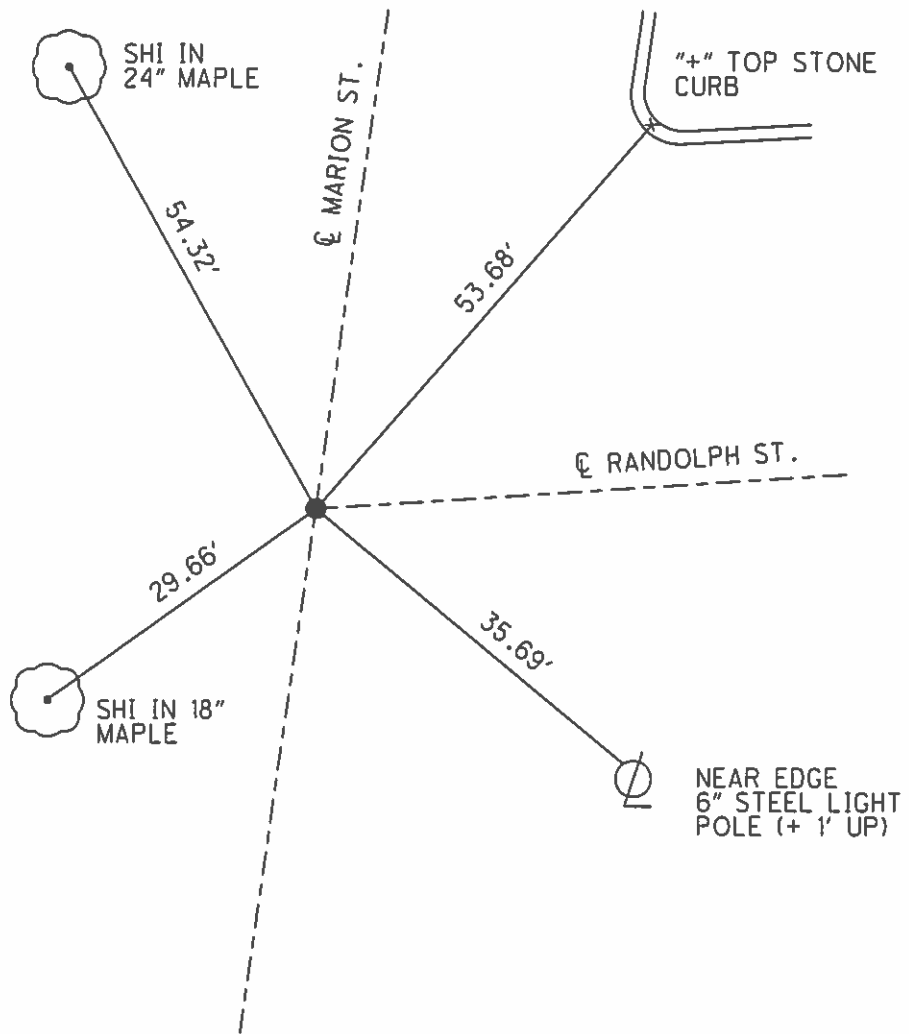
TYPE MONUMENT 1" IRON ROD  
 ON SURFACE - BELOW \_\_\_\_\_ ON \_\_\_\_\_  
 LEFT - ☉ PAV'T - RIGHT ON \_\_\_\_\_  
 \_\_\_\_\_ TO \_\_\_\_\_ EDGE PAVEMENT  
 S.L.M. \_\_\_\_\_



Grid: Northing: \_\_\_\_\_ Easting: \_\_\_\_\_

NOTE: POINTS FOUND  
 ON MARION ST.  
 PREVIOUS TO  
 RESURFACING

FND 1" IRON ROD  
 2" DEEP  
 (SMALL RR SPK  
 @ SURFACE)



O.D.O.T. DISTRICT 2 SURVEY OFFICE (USE ONLY)

PERSONNEL \_\_\_\_\_ REFERENCE NO. 9 D SHEET 15 OF 26

NOTES CANTERBURY DATE 05-05-1998 ROUTE SR 109  
H.C. CANTERBURY WEATHER CLOUDY COUNTY HENRY  
R.C. ROUSOS TEMP. 65° TOWNSHIP MARION  
SECTION 10  
T 3 N R 7 E

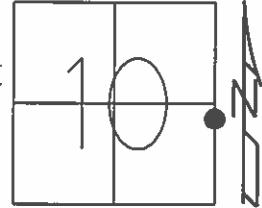
TYPE MONUMENT PK & WASHER

ON SURFACE - ~~BELOW~~ ON \_\_\_\_\_

~~LEFT~~ - ☉ PAV'T - ~~RIGHT~~ ON ☉ 109 - 20' S OF ☉ BALTIMORE  
15.2' TO LT EDGE PAVEMENT

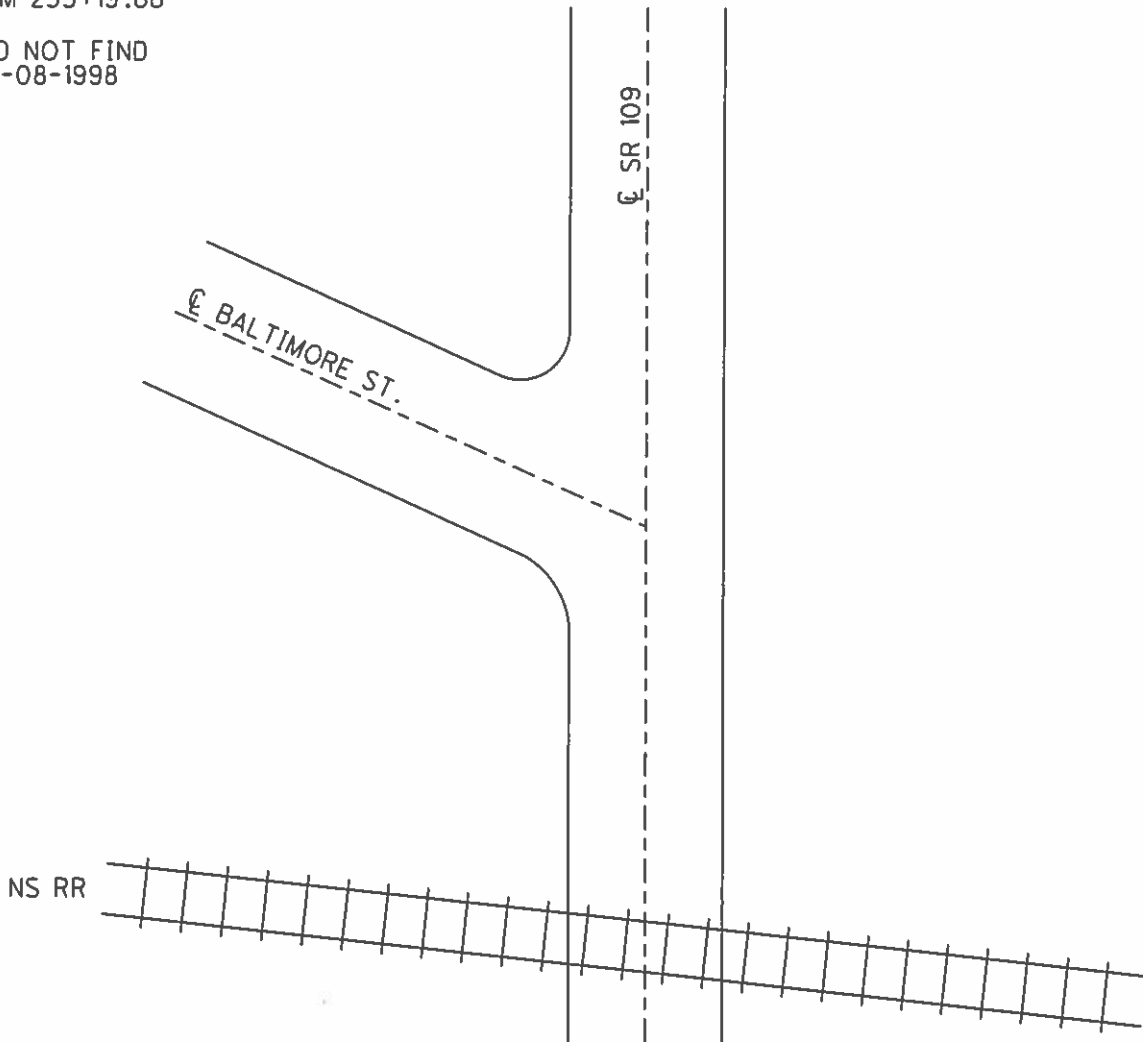
S.L.M. 233+79

Grid: Northing: \_\_\_\_\_ Easting: \_\_\_\_\_



REC: P.O.T.  
SLM 233+19.66

DID NOT FIND  
05-08-1998



O.D.O.T. DISTRICT 2 SURVEY OFFICE (USE ONLY)

PERSONNEL \_\_\_\_\_ REFERENCE NO. 10 SHEET 16 OF 25  
 NOTES RHOADES DATE 6/27/22 ROUTE SR 109  
 H.C. AUBLE WEATHER SUNNY COUNTY HENRY  
 R.C. RHOADES TEMP. 65° TOWNSHIP MARION  
 DWG BY RHOADES PID PAVE TRAIN SECTION 10  
 T 3 N R 7 E

TYPE MONUMENT MAG/WASHER

ON SURFACE - ~~BELOW~~ ON

OFFSET  $\odot$  PAVEMENT 0.5' LT : ~~RT~~

10.6' TO LT EDGE PAVEMENT

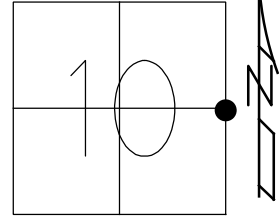
STATION: 241+38

HORZ. DATUM: NAD83 2011

GEOID: NAVD88 2018

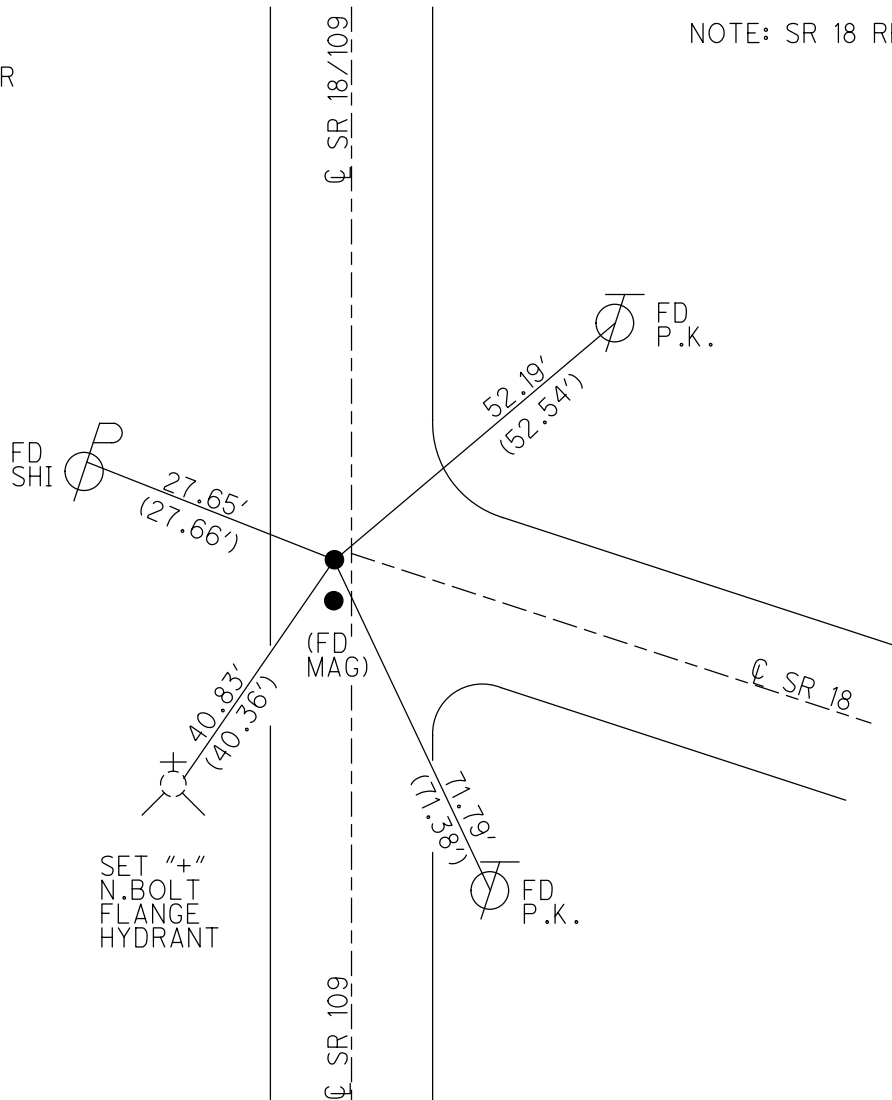
GRID: NORTHING: 574121.306

EASTING: 1546001.129



RECORD:  
 FD 1/23/07  
 SET P.K./WASHER  
 9/24/98, MRC  
 FD P.K./WASHER  
 3" DOWN  
 REF 24  
 6/26/08, KPM  
 FD MAG/WASHER  
 REF10  
 2/14/19, JLL  
 FD MAG/WASHER  
 REF24  
 6/27/22, JFO  
 1/11/23, JMR

NOTE: SR 18 REF 24



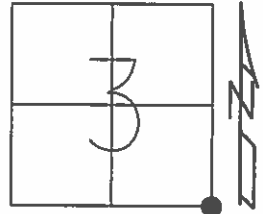


O.D.O.T. DISTRICT 2 SURVEY OFFICE (USE ONLY)

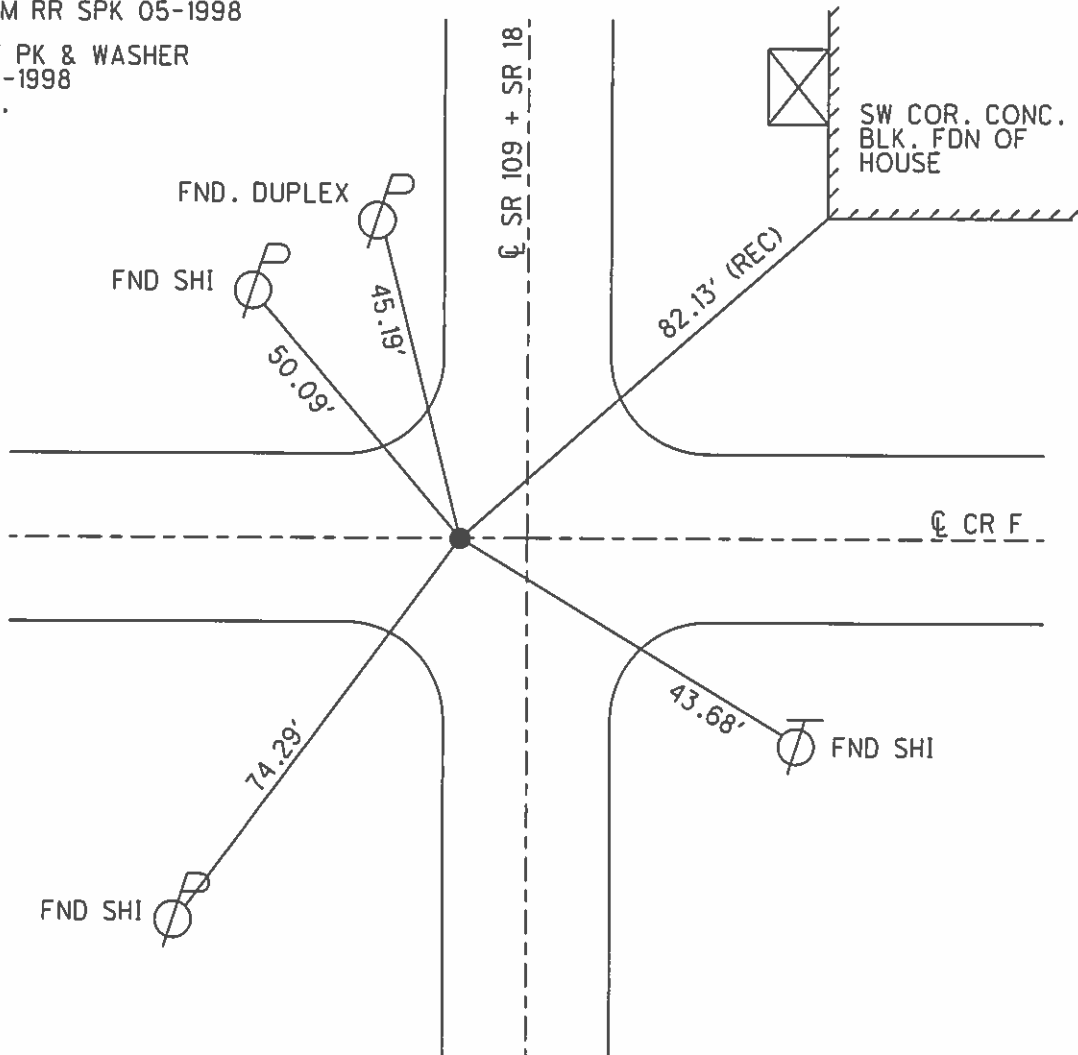
PERSONNEL \_\_\_\_\_ REFERENCE NO. 11 SHEET 17 OF 26

NOTES CANTERBURY DATE 05-08-1998 ROUTE SR 109  
 H.C. CANTERBURY WEATHER CLOUDY COUNTY HENRY  
 R.C. ROUSOS TEMP. 65°F TOWNSHIP MARION  
 \_\_\_\_\_ SECTION 3  
 \_\_\_\_\_ T 3 N R 7 E

TYPE MONUMENT SMALL RR SPK  
 ON SURFACE - ~~BELOW~~ ON \_\_\_\_\_  
 LEFT - ~~PAV'T~~ - ~~RIGHT~~ 6'  
 \_\_\_\_\_ TO \_\_\_\_\_ EDGE PAVEMENT  
 S.L.M. 236+64  
 Grid: Northing: \_\_\_\_\_ Easting: \_\_\_\_\_



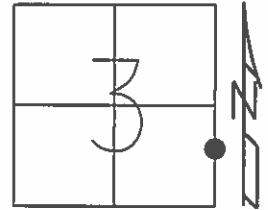
FND SM RR SPK 05-1998  
 RESET PK & WASHER  
 09-24-1998  
 M.R.C.



O.D.O.T. DISTRICT 2 SURVEY OFFICE (USE ONLY)

PERSONNEL \_\_\_\_\_ REFERENCE NO. 11 A SHEET 18 OF 26  
 NOTES CANTERBURY DATE 08-18-1998 ROUTE SR 109  
 H.C. ROUSOS WEATHER PRTLY CLDY COUNTY HENRY  
 R.C. BARNHISEL TEMP. +80°F TOWNSHIP MARION  
 \_\_\_\_\_ SECTION 3  
 \_\_\_\_\_ T 3 N R 7 E

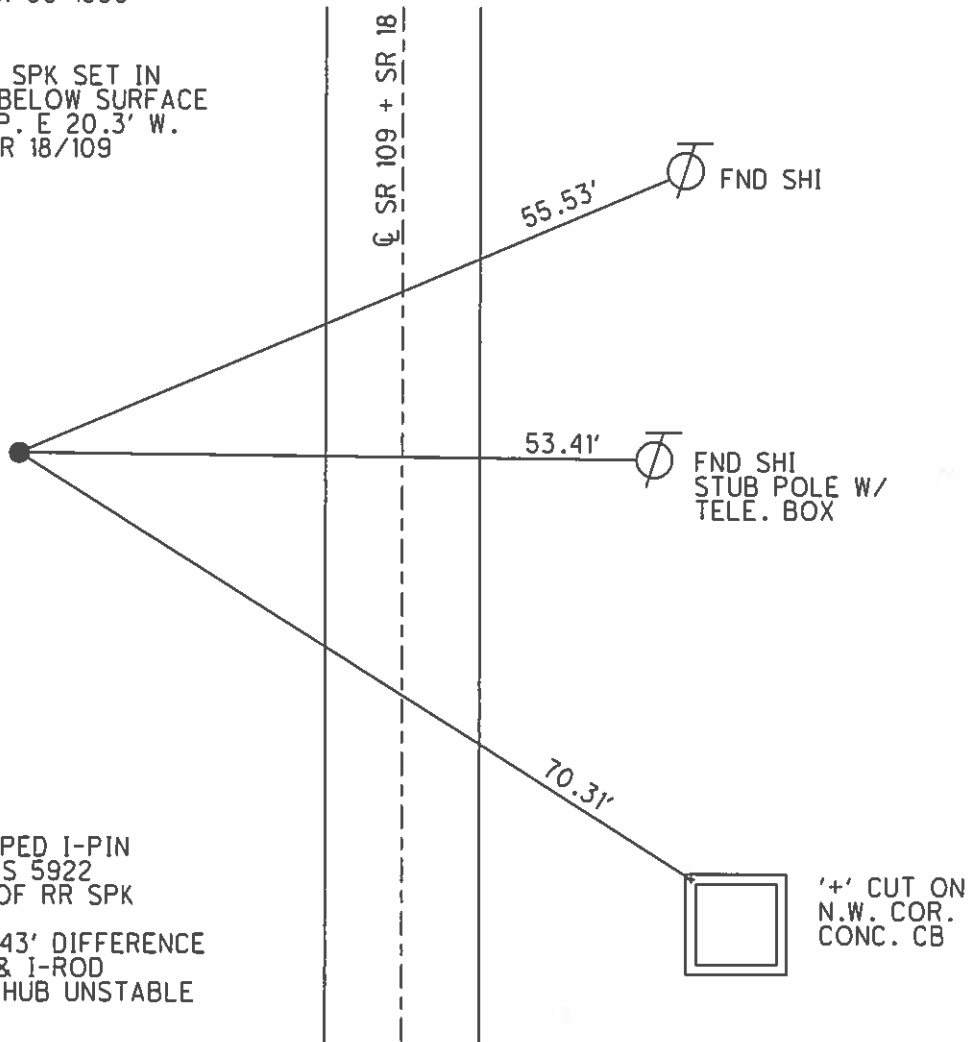
TYPE MONUMENT RR SPK IN WOOD HUB  
~~ON SURFACE~~ - BELOW 2"  
 LEFT - ~~C PAVT~~ - RIGHT 20.3'  
10' TO LT EDGE PAVEMENT  
 S.L.M. 565+27



Grid: Northing: \_\_\_\_\_ Easting: \_\_\_\_\_

FND SM RR SPK 05-1998

REC:  
 FND SMALL RR SPK SET IN  
 WOOD HUB 2" BELOW SURFACE  
 10' W OF W E.P. E 20.3' W.  
 OF C PAVT. SR 18/109



NOTE:  
 ALSO FND CAPPED I-PIN  
 STAMPED # RLS 5922  
 3.5" TO N.E. OF RR SPK

THERE IS A 0.43' DIFFERENCE  
 BETWEEN SPK & I-ROD  
 SMALL SPK IN HUB UNSTABLE

O.D.O.T. DISTRICT 2 SURVEY OFFICE (USE ONLY)

PERSONNEL \_\_\_\_\_ REFERENCE NO. 12 SHEET 19 OF 26  
 NOTES CANTERBURY DATE 08-18-1998 ROUTE SR 109  
 H.C. ROUSOS WEATHER PRTLY CLDY COUNTY HENRY  
 R.C. BARNHESEL TEMP. +80°F TOWNSHIP MARION  
 \_\_\_\_\_ SECTION 3  
 \_\_\_\_\_ T 3 N R 7 E

TYPE MONUMENT STONE W/ DEPRESSION @ CTR

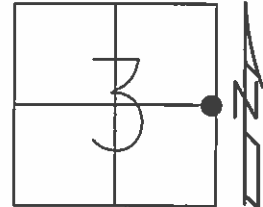
ON SURFACE - ~~BELOW~~ ON \_\_\_\_\_

LEFT - ~~C PAVT~~ - ~~RIGHT~~ 20.4'

10.25' TO LT EDGE PAVEMENT

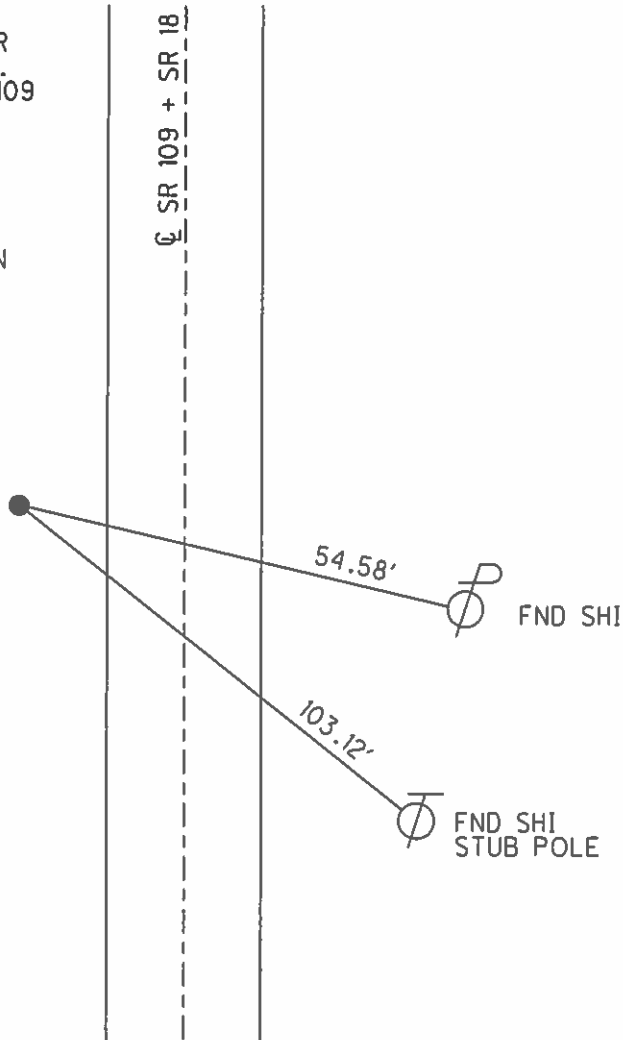
S.L.M. 551+81

Grid: Northing: \_\_\_\_\_ Easting: \_\_\_\_\_



REC:  
 FND STONE/DEPRESSION @ CTR  
 @ SURFACE 10.25' W OF W E.P.  
 20.4' W OF C PVMT. SR 18 & 109  
 SLM = HEM 18 - STA 551+80

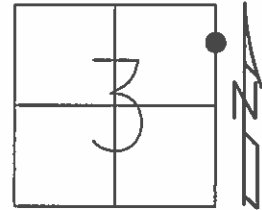
NOTE:  
 FND STONE BUT UNABLE TO  
 DETERMINE WHAT WAS USED ON  
 STONE, OLD TIES DON'T HELP  
 WITH DEFINING A GOOD POINT



O.D.O.T. DISTRICT 2 SURVEY OFFICE (USE ONLY)

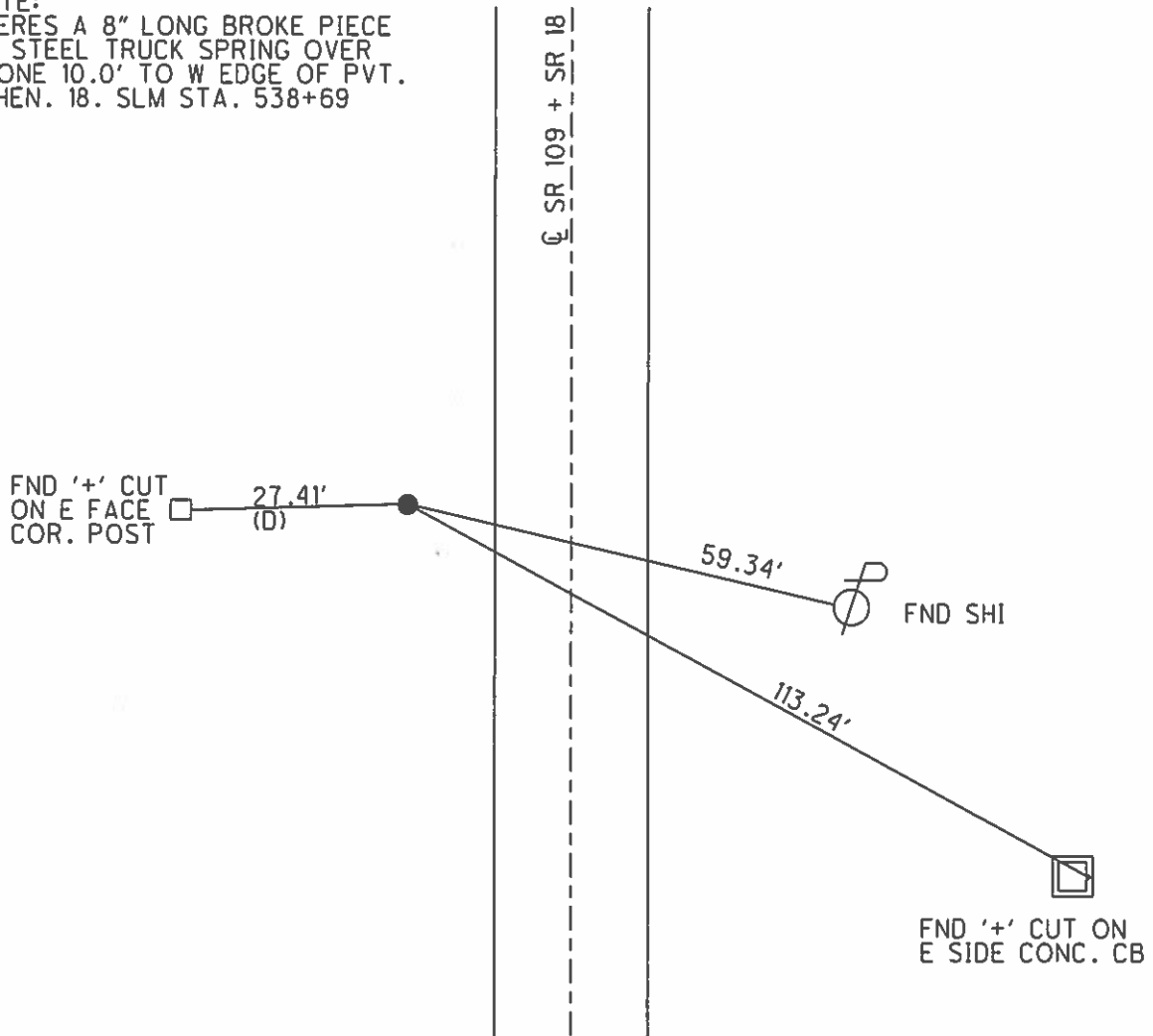
PERSONNEL \_\_\_\_\_ REFERENCE NO. 13 SHEET 20 OF 26  
 NOTES CANTERBURY DATE 08-18-1998 ROUTE SR 109  
 H.C. ROUSOS WEATHER PRTLY CLDY COUNTY HENRY  
 R.C. BARNHISEL TEMP. +80°F TOWNSHIP MARION  
 \_\_\_\_\_ SECTION 3  
 \_\_\_\_\_ T 3 N R 7 E

TYPE MONUMENT STONE  
~~ON SURFACE~~ - BELOW 2"  
 LEFT - ~~C PAV'T~~ - RIGHT 19.7'  
10.0' TO LT EDGE PAVEMENT  
 S.L.M. 538+71



Grid: Northing: \_\_\_\_\_ Easting: \_\_\_\_\_

NOTE:  
 THERES A 8" LONG BROKE PIECE  
 OF STEEL TRUCK SPRING OVER  
 STONE 10.0' TO W EDGE OF PVT.  
 & HEN. 18. SLM STA. 538+69



O.D.O.T. DISTRICT 2 SURVEY OFFICE (USE ONLY)

PERSONNEL \_\_\_\_\_ REFERENCE NO. 14 SHEET 21 OF 25  
 NOTES NIESE DATE 3/12/21 ROUTE SR 109  
 H.C. RHOADES WEATHER SUNNY COUNTY HENRY  
 R.C. \_\_\_\_\_ TEMP. 50° TOWNSHIP MONROE  
 DWG BY NIESE PID PAVE TRAIN SECTION 34  
 T 4 N R 7 E

TYPE MONUMENT LG.R.R.SPIKE

~~ON SURFACE~~ - BELOW 1"

OFFSET  $\odot$  PAVEMENT 20.5' LT : ~~RT~~

- TO - EDGE PAVEMENT

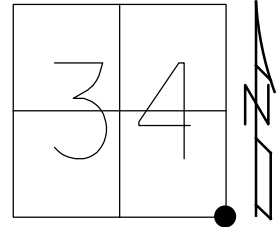
STATION: 317+60

HORIZ.DATUM: NAD83(2011)

GEOID: NAVD88 2012A

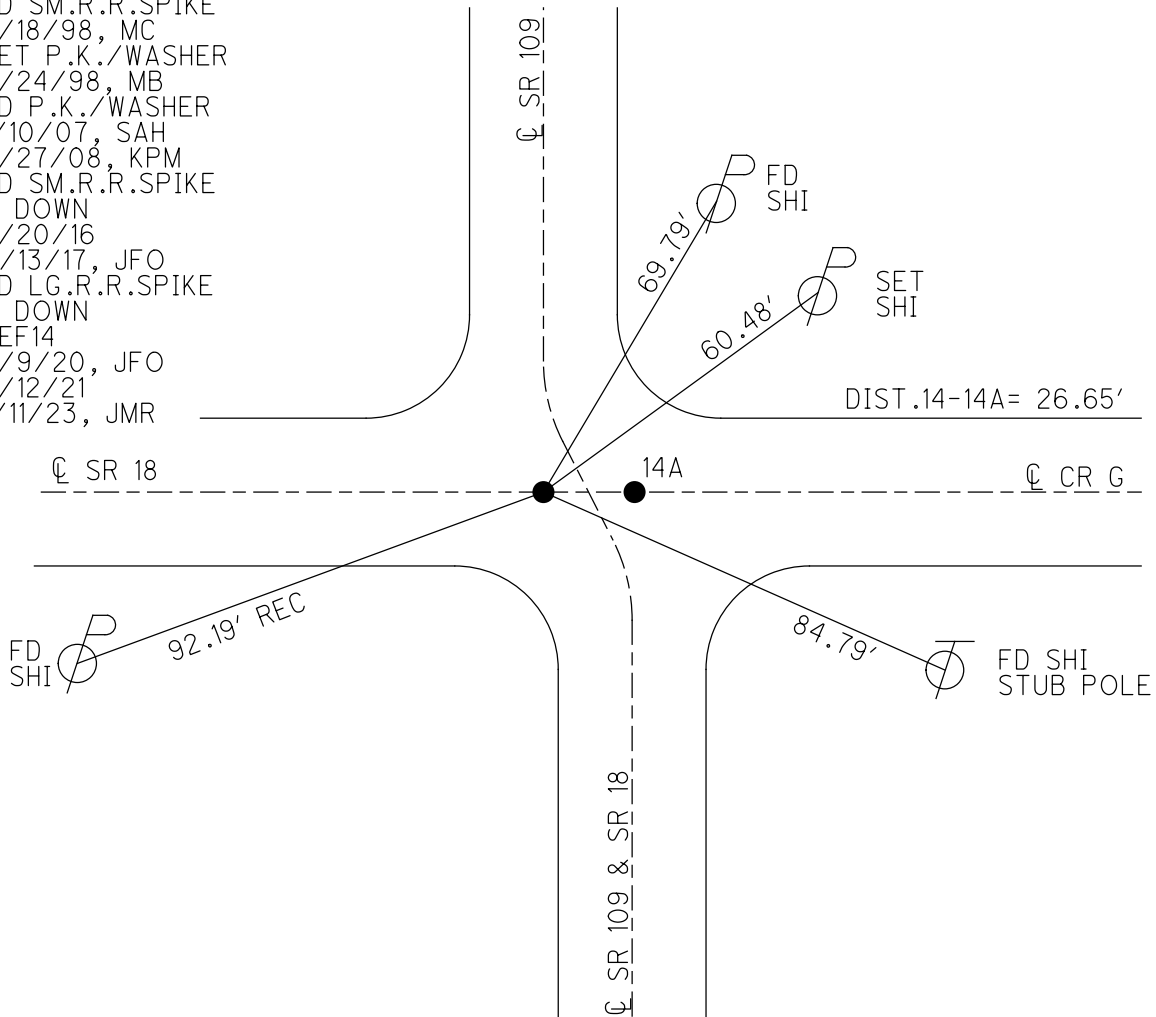
GRID: NORTHING: 582031.179

EASTING: 1546046.403



RECORD:  
 FD SM.R.R.SPIKE  
 5/18/98, MC  
 SET P.K./WASHER  
 9/24/98, MB  
 FD P.K./WASHER  
 1/10/07, SAH  
 6/27/08, KPM  
 FD SM.R.R.SPIKE  
 1" DOWN  
 6/20/16  
 11/13/17, JFO  
 FD LG.R.R.SPIKE  
 1" DOWN  
 REF14  
 6/9/20, JFO  
 3/12/21  
 1/11/23, JMR

NOTE: REF 20B SR 18



O.D.O.T. DISTRICT 2 SURVEY OFFICE (USE ONLY)

PERSONNEL

REFERENCE NO. 14 A

SHEET 22 OF 25

NOTES NIESE

DATE 3/12/21

ROUTE SR 109

H.C. RHOADES

WEATHER SUNNY

COUNTY HENRY

R.C. \_\_\_\_\_

TEMP. 50°

TOWNSHIP MONROE

DWG BY NIESE

PID PAVE TRAIN

SECTION 34

T 4 N R 7 E

TYPE MONUMENT LG.R.R.SPIKE

~~ON SURFACE~~ - BELOW 2 1/2"

OFFSET  $\odot$  PAVEMENT 6.5'  $\perp$  : RT

- TO - EDGE PAVEMENT

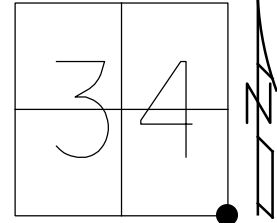
STATION: 317+60

HORZ.DATUM: NAD83(2011)

GEOID: NAVD88 2012A

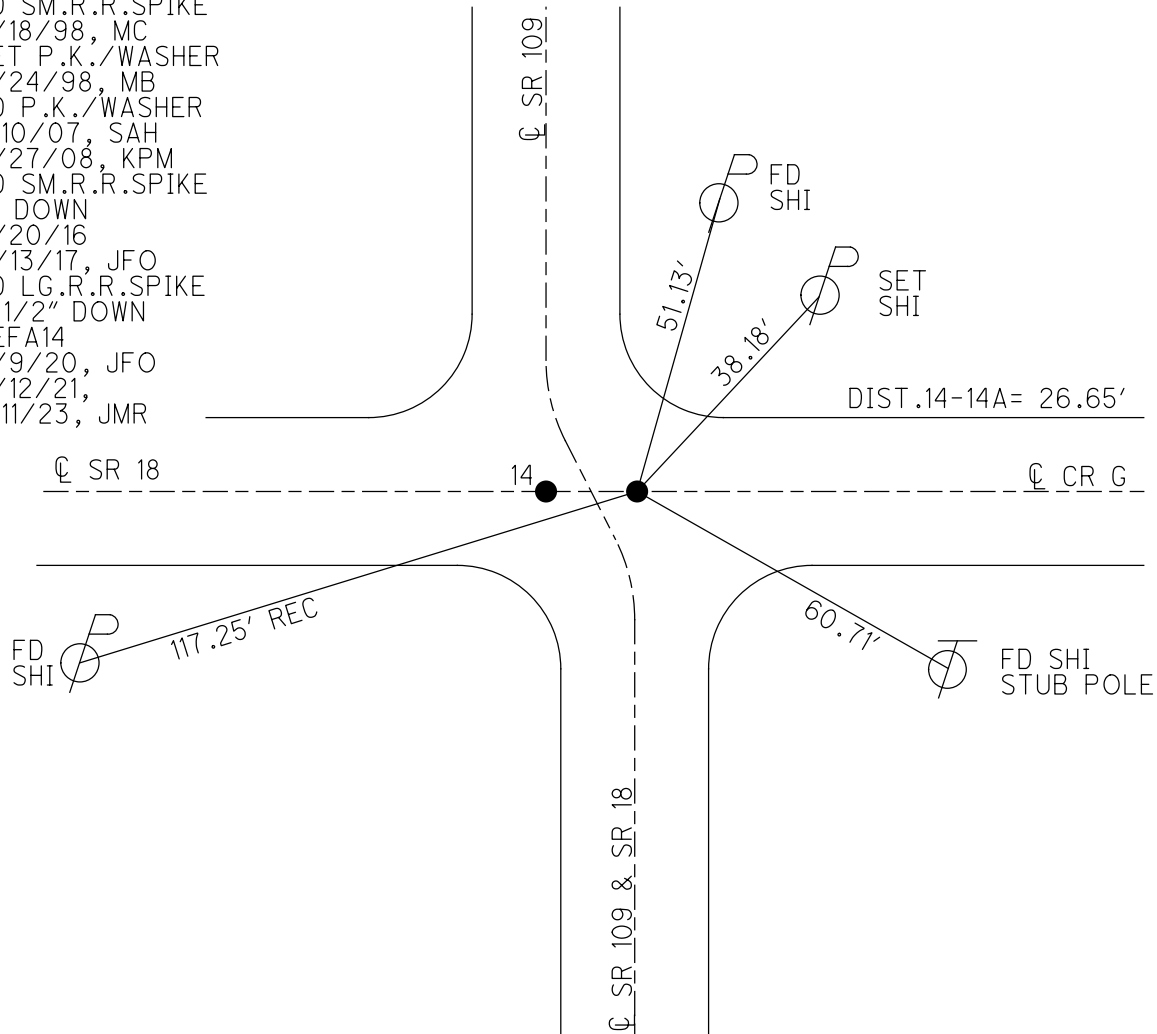
GRID: NORTHING: 582030.833

EASTING: 1546073.032



RECORD:  
 FD SM.R.R.SPIKE  
 5/18/98, MC  
 SET P.K./WASHER  
 9/24/98, MB  
 FD P.K./WASHER  
 1/10/07, SAH  
 6/27/08, KPM  
 FD SM.R.R.SPIKE  
 2" DOWN  
 6/20/16  
 11/13/17, JFO  
 FD LG.R.R.SPIKE  
 2 1/2" DOWN  
 REFA14  
 6/9/20, JFO  
 3/12/21,  
 1/11/23, JMR

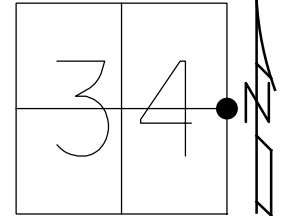
NOTE: REF 21 SR 18



O.D.O.T. DISTRICT 2 SURVEY OFFICE (USE ONLY)

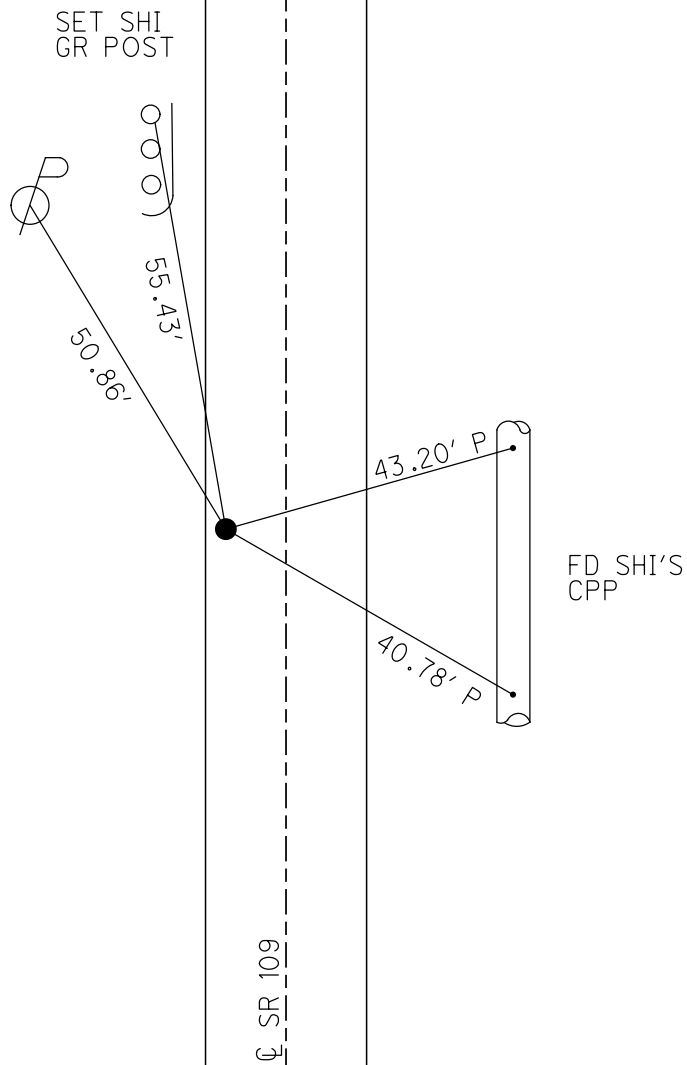
PERSONNEL \_\_\_\_\_ REFERENCE NO. 15 SHEET 23 OF 25  
 NOTES NIESE DATE 3/12/21 ROUTE SR 109  
 H.C. RHOADES WEATHER SUNNY COUNTY HENRY  
 R.C. \_\_\_\_\_ TEMP. 50° TOWNSHIP MONROE  
 DWG BY NIESE PID PAVE TRAIN SECTION 34  
 T 4 N R 7 E

TYPE MONUMENT P.K.NAIL  
~~ON SURFACE~~ - BELOW 1/2"  
 OFFSET  $\odot$  PAVEMENT 7.5' LT : ~~RT~~  
2.1' TO LT EDGE PAVEMENT  
 STATION: 344+03



HORZ.DATUM: NAD83 2011 GEOID: NAVD88 2012A  
 GRID: NORTHING: 584682.087 EASTING: 1546062.452

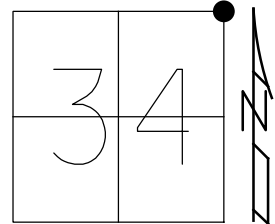
RECORD:  
 FD P.K./WASHER  
 5/18/98, MC  
 FD SM.R.R.SPIKE  
 SET SM.R.R.SPIKE  
 9/28/98, MDB  
 FD P.K.NAIL  
 0.5' DOWN  
 2/25/19, JLL  
 REF15  
 6/9/20, JFO  
 3/12/21, JMR



O.D.O.T. DISTRICT 2 SURVEY OFFICE (USE ONLY)

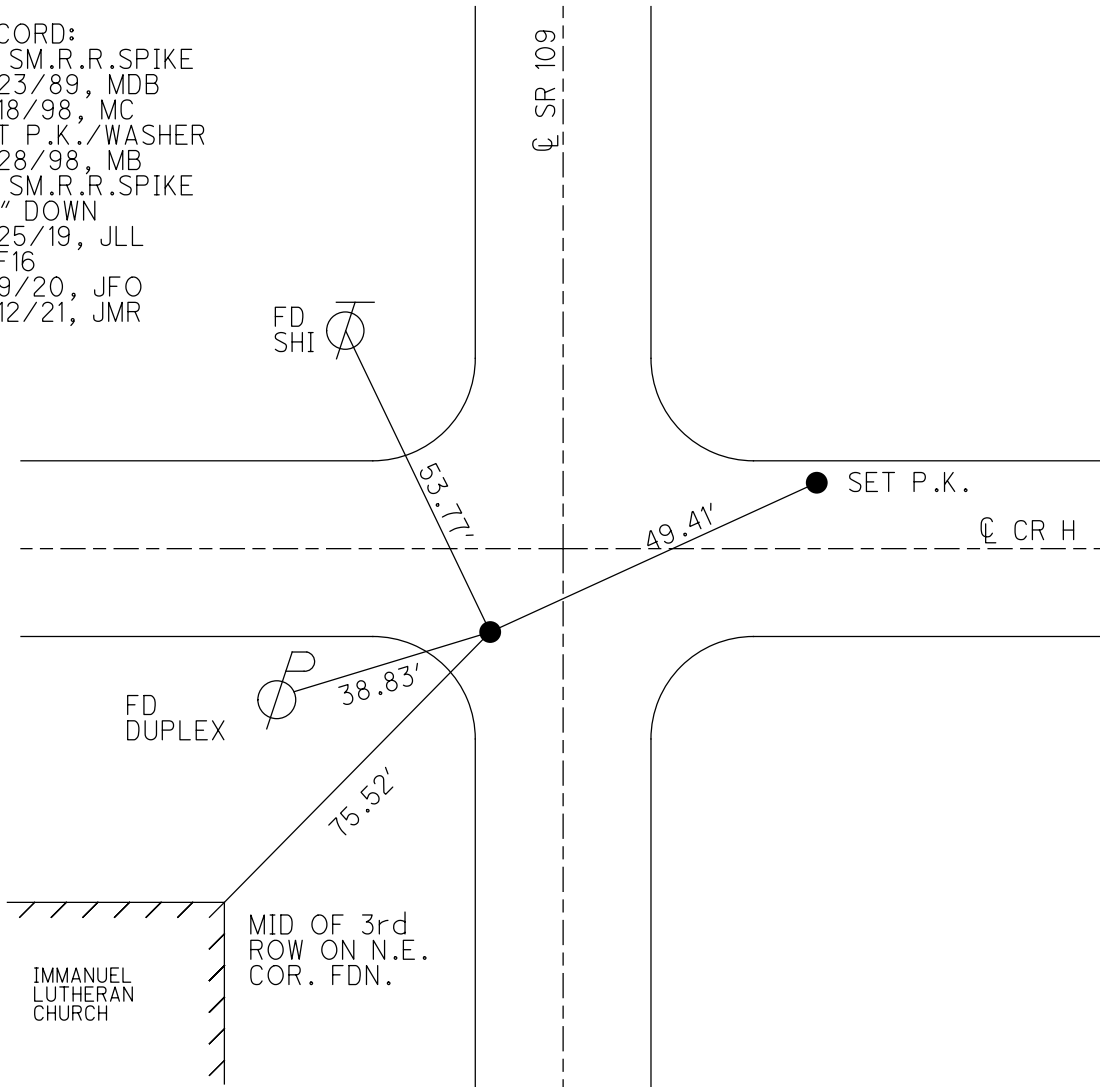
PERSONNEL \_\_\_\_\_ REFERENCE NO. 16 SHEET 24 OF 25  
 NOTES NIESE DATE 3/12/21 ROUTE SR 109  
 H.C. RHOADES WEATHER SUNNY COUNTY HENRY  
 R.C. \_\_\_\_\_ TEMP. 50° TOWNSHIP MONROE  
 \_\_\_\_\_ PID PAVE TRAIN SECTION 34  
 \_\_\_\_\_ T 4 N R 7 E

TYPE MONUMENT LG.R.R.SPIKE  
~~ON SURFACE~~ - BELOW 1 1/2"  
 OFFSET  $\odot$  PAVEMENT 4.1' LT : ~~RT~~  
 - TO - EDGE PAVEMENT  
 STATION: 370+58



HORZ.DATUM: NAD83(2011) GEOID: NAVD88 2012A  
 GRID: NORTHING: 587335.167 EASTING: 1546077.703

RECORD:  
 FD SM.R.R.SPIKE  
 6/23/89, MDB  
 5/18/98, MC  
 SET P.K./WASHER  
 9/28/98, MB  
 FD SM.R.R.SPIKE  
 1.5" DOWN  
 2/25/19, JLL  
 REF16  
 6/9/20, JFO  
 3/12/21, JMR

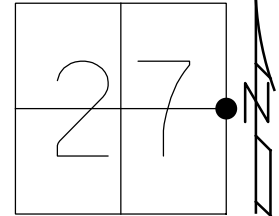




O.D.O.T. DISTRICT 2 SURVEY OFFICE (USE ONLY)

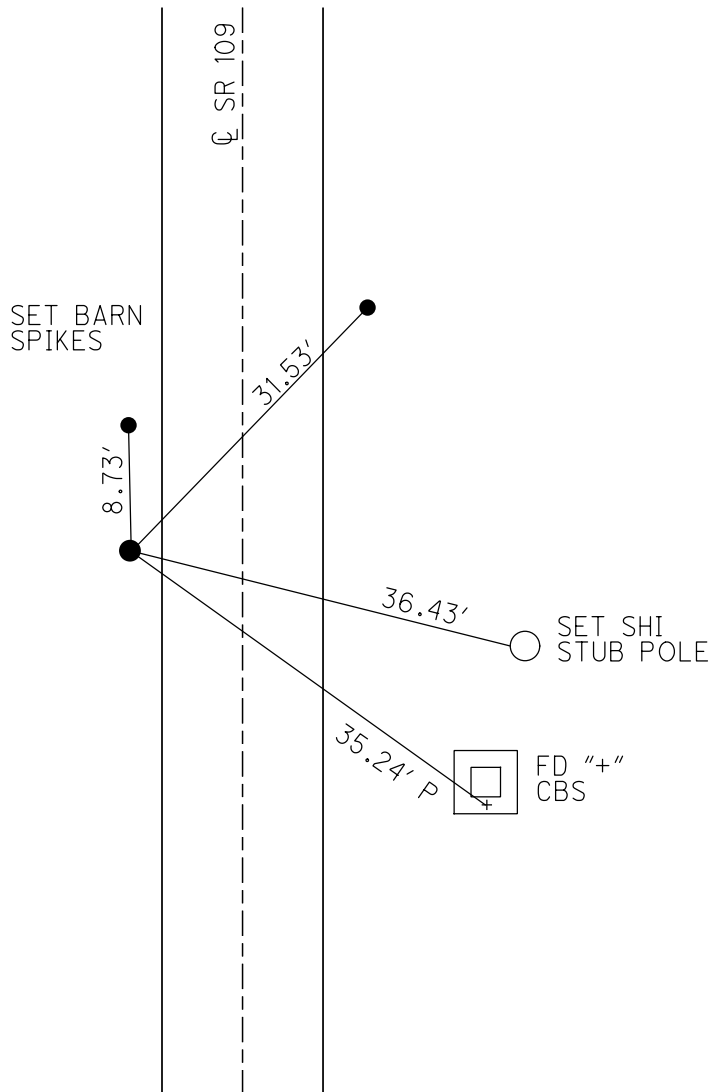
PERSONNEL \_\_\_\_\_ REFERENCE NO. 17 SHEET 25 OF 25  
 NOTES NIESE DATE 3/12/21 ROUTE SR 109  
 H.C. RHOADES WEATHER SUNNY COUNTY HENRY  
 R.C. \_\_\_\_\_ TEMP. 50° TOWNSHIP MONROE  
 DWG BY RHOADES PID PAVE TRAIN SECTION 34  
 T 4 N R 7 E

TYPE MONUMENT SM.R.R.SPIKE  
~~ON SURFACE~~ - BELOW 3.5'  
 OFFSET  $\varnothing$  PAVEMENT 10.7' LT : ~~RT~~  
1.0' TO LT EDGE PAVEMENT  
 STATION: 397+06



HORZ.DATUM: NAD83(2011) GEOID: NAVD88 2012A  
 GRID: NORTHING: 589982.874 EASTING: 1546089.769

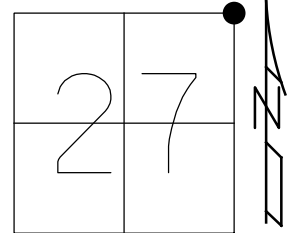
RECORD:  
 FD SM.R.R.SPIKE  
 1" DOWN  
 6/23/89, MDB  
 FD P.K./WASHER  
 5/18/98, MC  
 SET P.K./WASHER  
 9/28/98, MB  
 FD SM.R.R.SPIKE  
 4" DOWN  
 2-25-19, JLL  
 3 1/2" DOWN  
 REF17  
 6/9/20, JFO  
 3/12/21, JMR



O.D.O.T. DISTRICT 2 SURVEY OFFICE (USE ONLY)

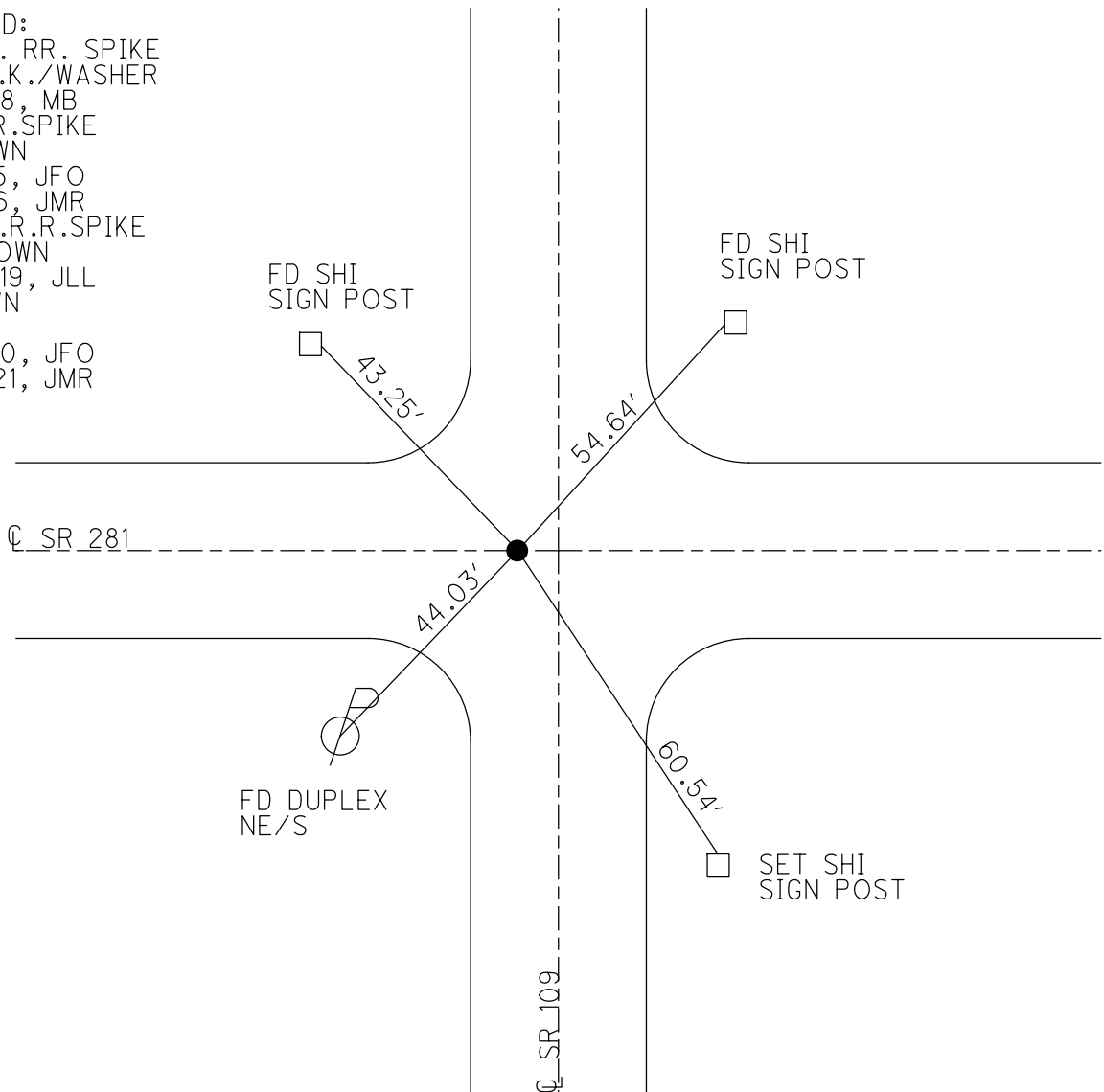
PERSONNEL \_\_\_\_\_ REFERENCE NO. 18 SHEET 1 OF 38  
 NOTES NIESE DATE 3/12/21 ROUTE SR 109  
 H.C. RHOADES WEATHER SUNNY COUNTY HENRY  
 R.C. \_\_\_\_\_ TEMP. 50° TOWNSHIP MONROE  
 \_\_\_\_\_ SECTION 27  
 DWG BY NIESE PID PAVE TRAIN T 4 N R 7 E

TYPE MONUMENT LG.R.R.SPIKE  
~~ON SURFACE~~ - BELOW 1"  
 OFFSET  $\odot$  PAVEMENT 8.0' LT : ~~RT~~  
 - TO - EDGE PAVEMENT  
 STATION: 423+58



HORZ.DATUM: NAD83(2011) GEOID: NAVD88 2012A  
 GRID: NORTHING: 592634.341 EASTING: 1546102.916

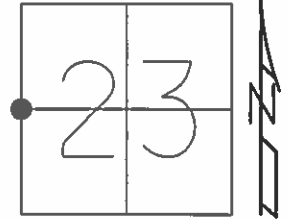
RECORD:  
 FD SM. RR. SPIKE  
 SET P.K./WASHER  
 9/2/98, MB  
 FD R.R.SPIKE  
 2" DOWN  
 9/2/15, JFO  
 8/3/16, JMR  
 FD SM.R.R.SPIKE  
 1.5" DOWN  
 2/25/19, JLL  
 1" DOWN  
 REF18  
 6/9/20, JFO  
 3/12/21, JMR



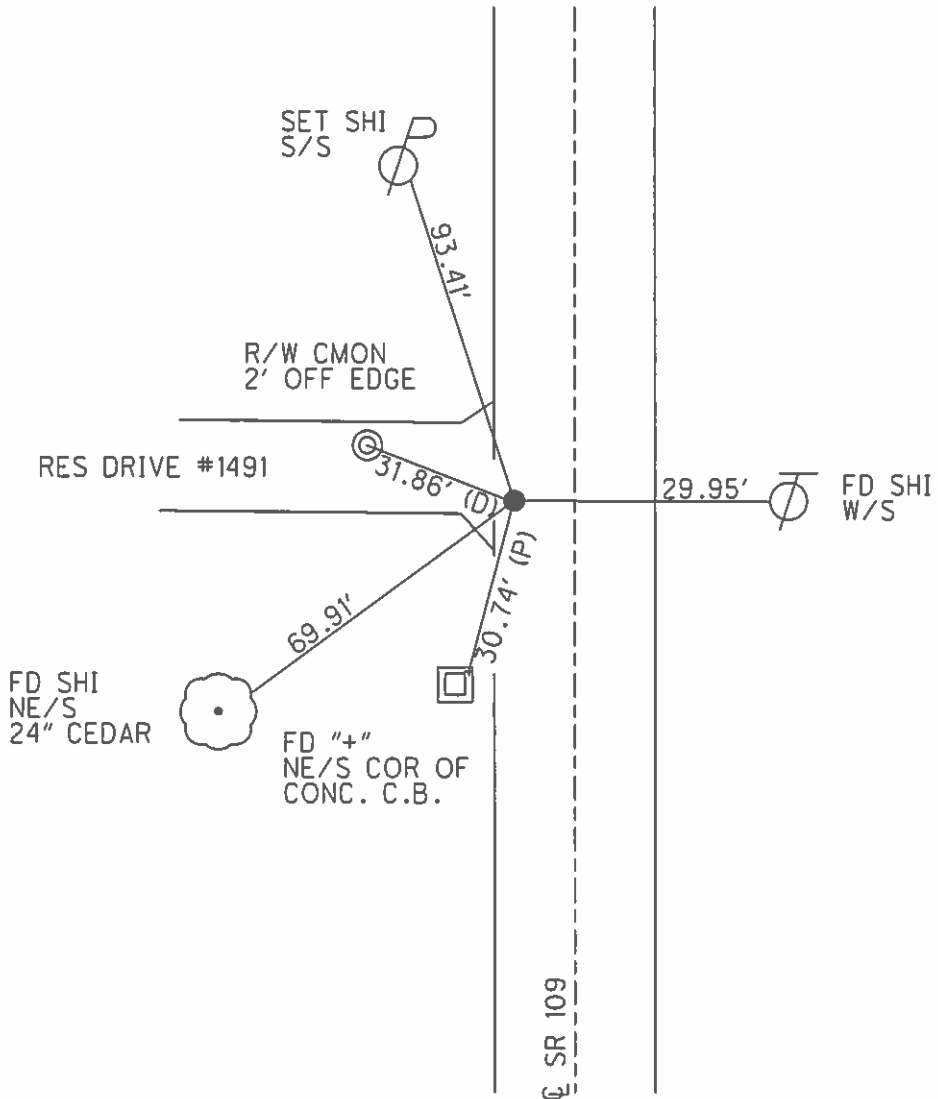
O.D.O.T. DISTRICT 2 SURVEY OFFICE (USE ONLY)

PERSONNEL \_\_\_\_\_ REFERENCE NO. 19 SHEET 2 OF 38  
 NOTES RHOADES DATE 9-2-15 ROUTE SR 109  
 H.C. O'DONNELL WEATHER SUNNY COUNTY HENRY  
 R.C. RHOADES TEMP. 72°F TOWNSHIP MONROE  
 \_\_\_\_\_ SECTION 23  
 \_\_\_\_\_ T 4 N R 7 E

TYPE MONUMENT MAG/WASHER  
 ON SURFACE - ~~BELOW~~ ON  
 LEFT - CL PAV'T - ~~RIGHT~~ 6.9'  
2.3' TO LT EDGE PAVEMENT  
 S.L.M. 450+07  
 Grid: Northing: 595285.4033 Easting: 1546113.6478



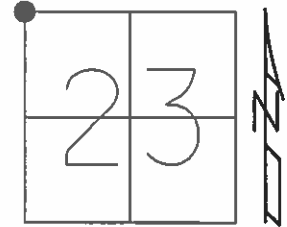
RECORD:  
 SET MAG/WASHER  
 10-28-04, MC  
 FD MAG/WASHER  
 GPS, REG18  
 9-2-15, JFO  
 NOT COVERED  
 8-3-16 JMR



O.D.O.T. DISTRICT 2 SURVEY OFFICE (USE ONLY)

PERSONNEL \_\_\_\_\_ REFERENCE NO. 20 SHEET 3 OF 38  
 NOTES BAENHISEL DATE 4-8-85 ROUTE SR 109  
 H.C. HOFFMAN WEATHER CLEAR COUNTY HENRY  
 R.C. LOEHRKE TEMP. 35°F TOWNSHIP MONROE  
 \_\_\_\_\_ SECTION 23  
 \_\_\_\_\_ T 4 N R 7 E

TYPE MONUMENT BOAT SPIKE  
 ON SURFACE - ~~BELOW~~ ON \_\_\_\_\_  
 LEFT - ☉ PAV'T - ~~RIGHT~~ 267'  
7.0' TO RT EDGE PAVEMENT  
 S.L.M. 476+40

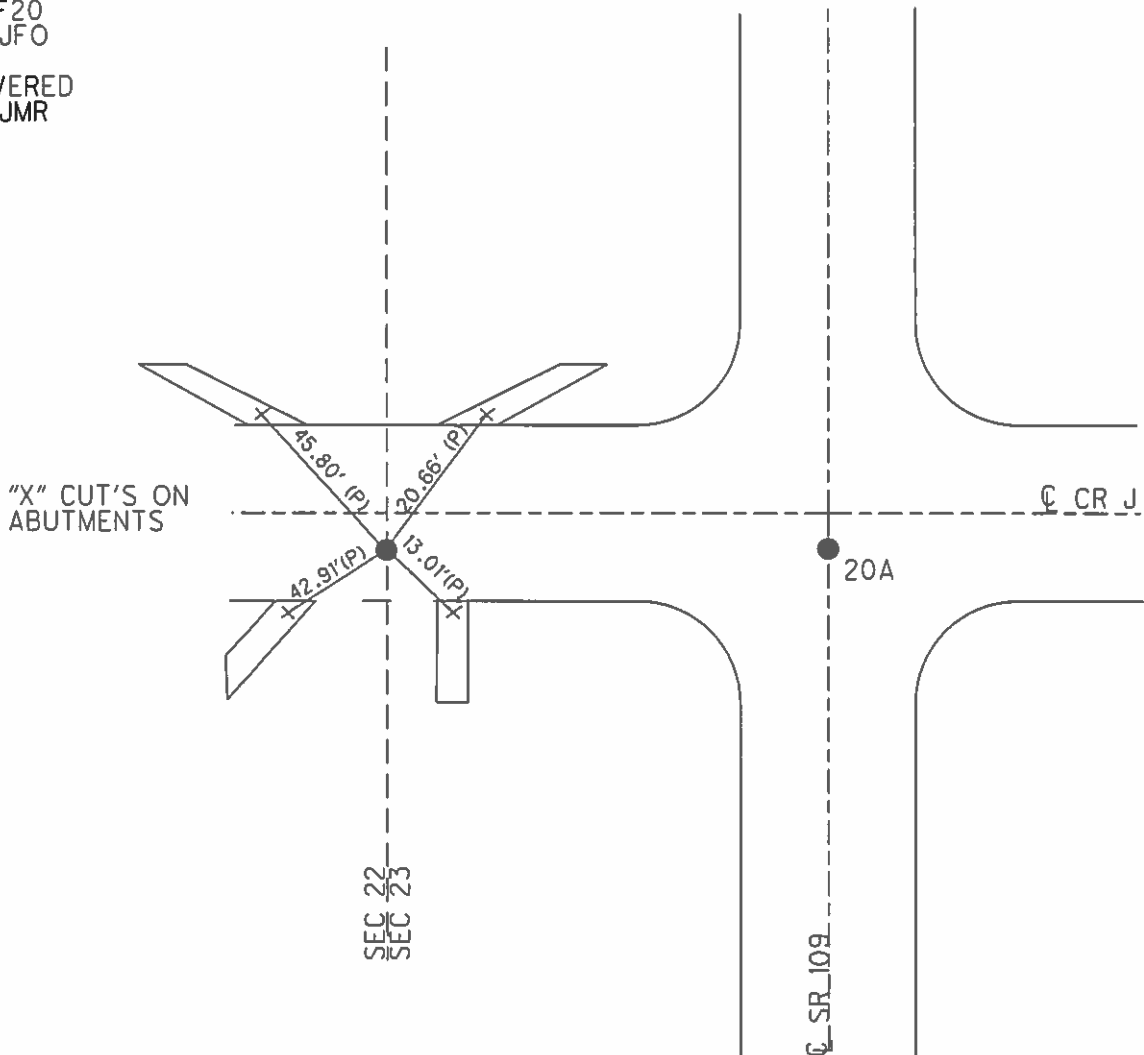


Grid: Northing: 597935.23 Easting: 1546141.0708

RECORD:  
 FD MAG/WASHER  
 GPS, REF20  
 9-2-15, JFO

DIST. 20-20A= 267'

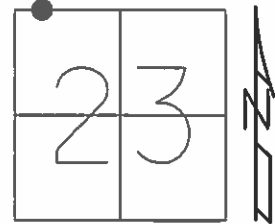
NOT COVERED  
 8-3-16, JMR



O.D.O.T. DISTRICT 2 SURVEY OFFICE (USE ONLY)

PERSONNEL \_\_\_\_\_ REFERENCE NO. 20 A SHEET 4 OF 38  
 NOTES RHOADES DATE 9-2-14 ROUTE SR 109  
 H.C. O'DONNELL WEATHER SUNNY COUNTY HENRY  
 R.C. RHOADES TEMP. 72°F TOWNSHIP MONROE  
 \_\_\_\_\_ SECTION 23  
 \_\_\_\_\_ T 4 N R 7 E

TYPE MONUMENT PK NAIL  
 ON SURFACE - ~~BELOW~~ ON  
 LEFT - ☉ PAV'T - RIGHT ON  
9.8' TO RT EDGE PAVEMENT  
 S.L.M. 477+03



Grid: Northing: 597935.5101 Easting: 1546408.0676

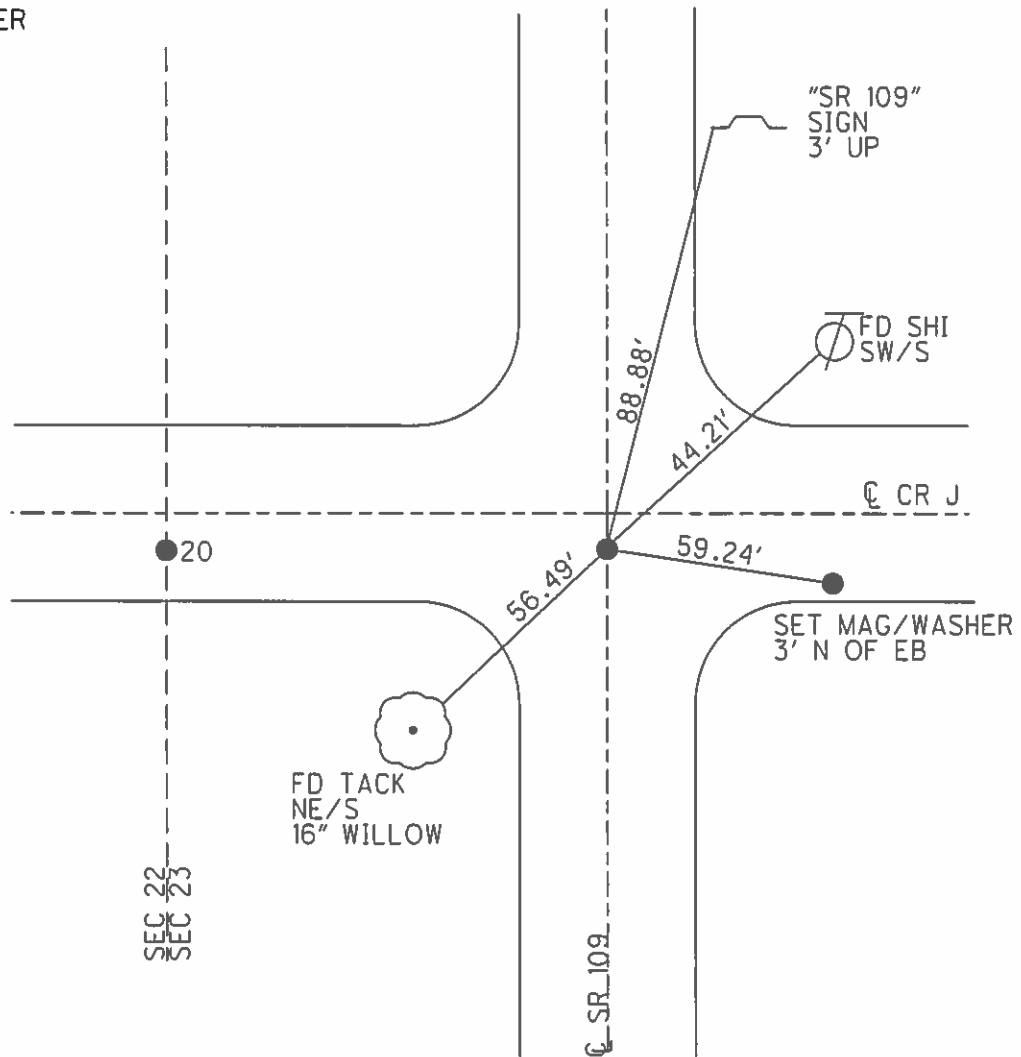
RECORD:  
 ORGIN UNKOWN

DIST. 20-20A= 267'

SET MAG/WASHER  
 10-28-04, MC

FD MAG NAIL  
 GPS, REFA20  
 9-2-15, JFO

UNCOVERED  
 8-3-16, JMR



O.D.O.T. DISTRICT 2 SURVEY OFFICE (USE ONLY)

PERSONNEL \_\_\_\_\_ REFERENCE NO. 21 SHEET 5 OF 38

NOTES RHOADES DATE 9-2-15 ROUTE SR 109  
 H.C. O'DONNELL WEATHER SUNNY COUNTY HENRY  
 R.C. RHOADES TEMP. 72°F TOWNSHIP MONROE  
 \_\_\_\_\_ SECTION 14  
 \_\_\_\_\_ T 4 N R 7 E

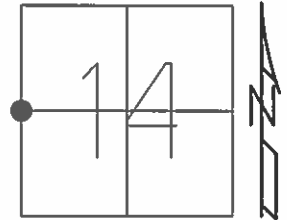
TYPE MONUMENT MAG/WASHER

ON SURFACE - ~~BELOW~~ ON \_\_\_\_\_

LEFT - ☉ PAV'T - ~~RIGHT~~ 4.0', 10' ☉ CR J-2  
5.7' TO LT EDGE PAVEMENT

S.L.M. 504+10

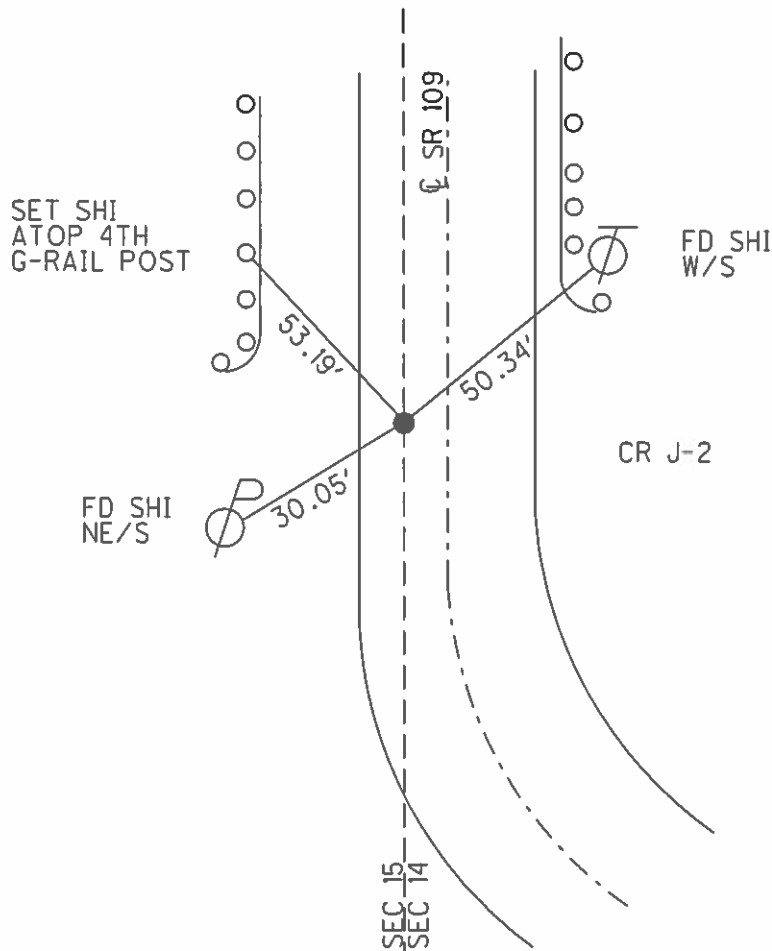
Grid: Northing: 600585.8686 Easting: 1546137.6276



RECORD:  
 SET MAG/WASHER  
 10-28-04, MC

FD MAG NAIL  
 GPS, REF21  
 9-2-15, JFO

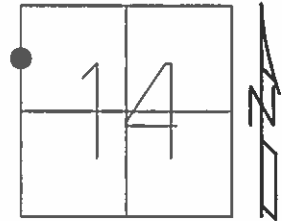
UNCOVERED  
 8-3-16, JMR



O.D.O.T. DISTRICT 2 SURVEY OFFICE (USE ONLY)

PERSONNEL \_\_\_\_\_ REFERENCE NO. 21 A SHEET 6 OF 38  
 NOTES RHOADES DATE 9-2-15 ROUTE SR 109  
 H.C. O'DONNELL WEATHER SUNNY COUNTY HENRY  
 R.C. RHOADES TEMP. 72°F TOWNSHIP MONROE  
 \_\_\_\_\_ SECTION 14  
 \_\_\_\_\_ T 4 N R 7 E

TYPE MONUMENT MAG/WASHER  
 ON SURFACE - ~~BELOW~~ ON \_\_\_\_\_  
~~LEFT~~ - Q PAV'T - RIGHT 0.5'  
9.1' TO RT EDGE PAVEMENT  
 S.L.M. 517+32  
 Grid: Northing: 601909.2996 Easting: 1546144.5022



RECORD:  
 SET MAG/WASHER  
 10-28-04, MC

FD MAG NAIL  
 GPS, REF21  
 9-2-15, JFO

UNCOVERED  
 8-3-16, JMR

FD SHI  
 SE/S  
 18" MAPLE

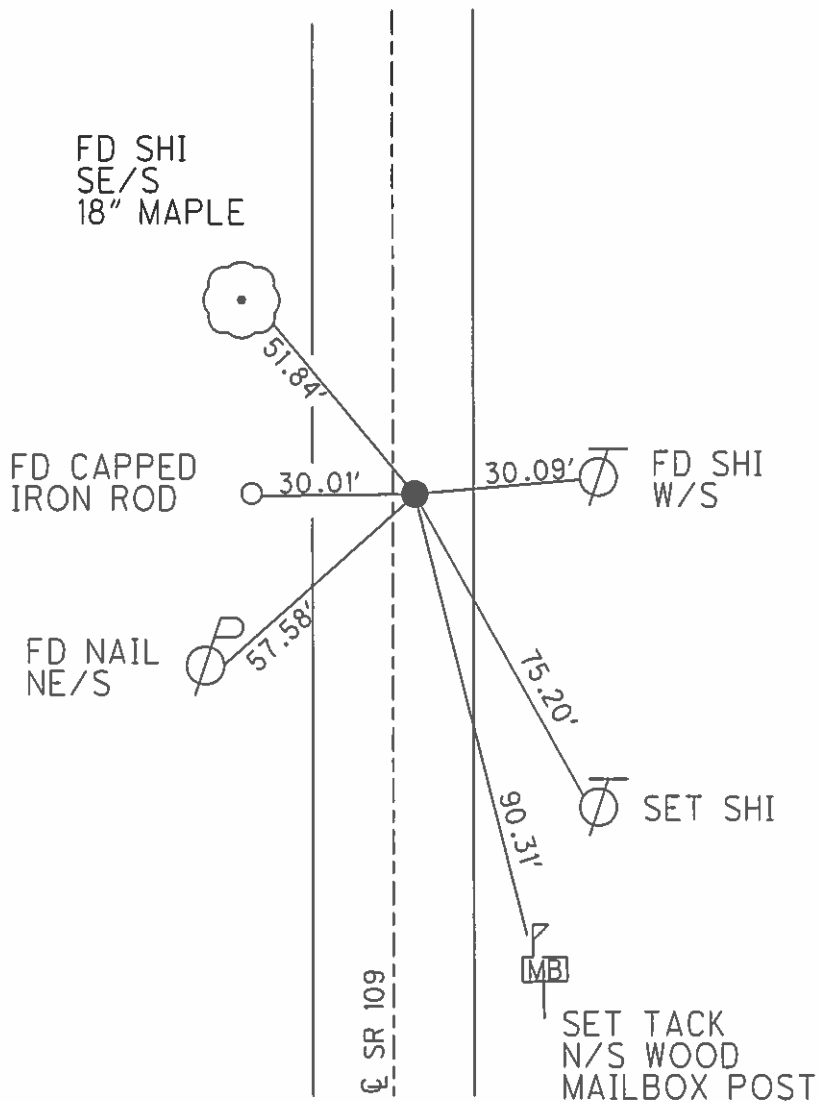
FD CAPPED  
 IRON ROD

FD NAIL  
 NE/S

FD SHI  
 W/S

SET SHI

SET TACK  
 N/S WOOD  
 MAILBOX POST

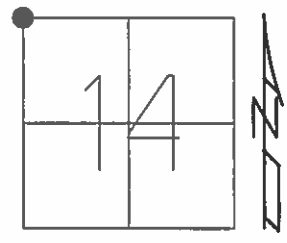


Q SR 109

O.D.O.T. DISTRICT 2 SURVEY OFFICE (USE ONLY)

PERSONNEL \_\_\_\_\_ REFERENCE NO. 22 SHEET 7 OF 38  
 NOTES RHOADES DATE 9-2-15 ROUTE SR 109  
 H.C. O'DONNELL WEATHER SUNNY COUNTY HENRY  
 R.C. RHOADES TEMP. 72°F TOWNSHIP MONROE  
 \_\_\_\_\_ SECTION 14  
 \_\_\_\_\_ T 4 N R 7 E

TYPE MONUMENT MAG/WASHER  
 ON SURFACE - ~~BELOW~~ ON \_\_\_\_\_  
 LEFT - ☉ PAV'T - ~~RIGHT~~ 1.0'  
8.9' TO LT EDGE PAVEMENT  
 S.L.M. 530+56

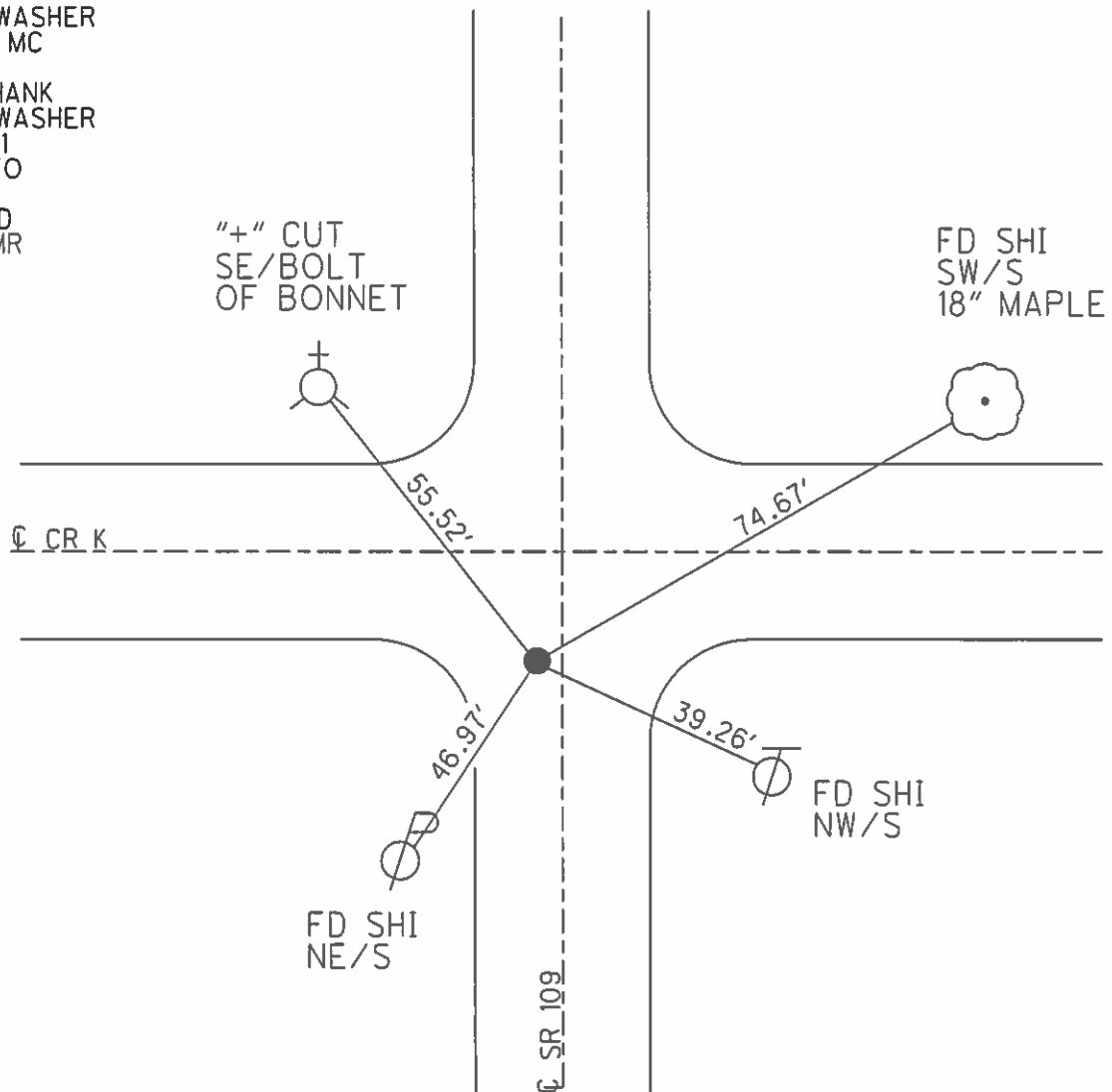


Grid: Northing: 603233.0863 Easting: 1546151.3797

RECORD:  
 SET MAG/WASHER  
 10-28-04, MC

FD MAG SHANK  
 SET MAG/WASHER  
 GPS, REF21  
 9-2-15, JFO

UNCOVERED  
 8-3-16, JMR

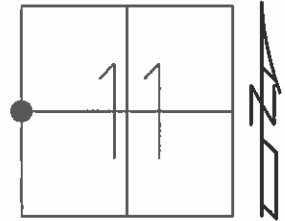




O.D.O.T. DISTRICT 2 SURVEY OFFICE (USE ONLY)

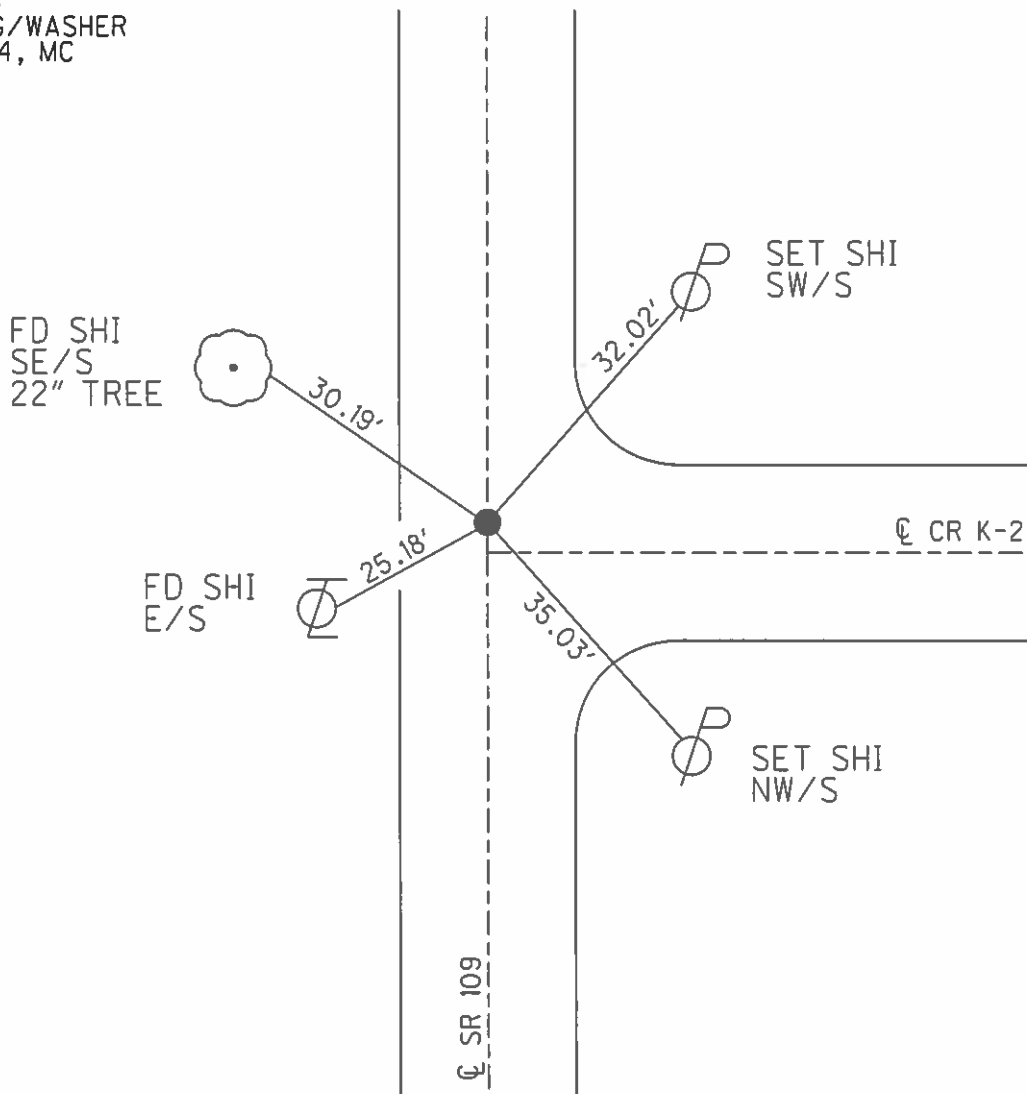
PERSONNEL \_\_\_\_\_ REFERENCE NO. 23 SHEET 8 OF 38  
 NOTES CANTERBURY DATE 8-31-04 ROUTE SR 109  
 H.C. BARNHISEL WEATHER SUNNY COUNTY HENRY  
 R.C. HOOVER TEMP. 70°F TOWNSHIP MONROE  
 \_\_\_\_\_ SECTION 11  
 \_\_\_\_\_ T 4 N R 7 E

TYPE MONUMENT PK/WASHER  
 ON SURFACE - ~~BELOW~~ ON  
 LEFT - ☉ PAV'T - RIGHT ON  
10.1' TO LT EDGE PAVEMENT  
 S.L.M. 556+89



Grid: Northing: 640314.4041 Easting: 157193.2239

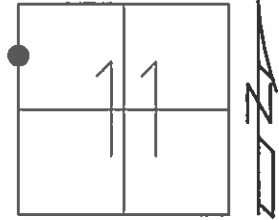
RECORD:  
 SET MAG/WASHER  
 10-28-04, MC



O.D.O.T. DISTRICT 2 SURVEY OFFICE (USE ONLY)

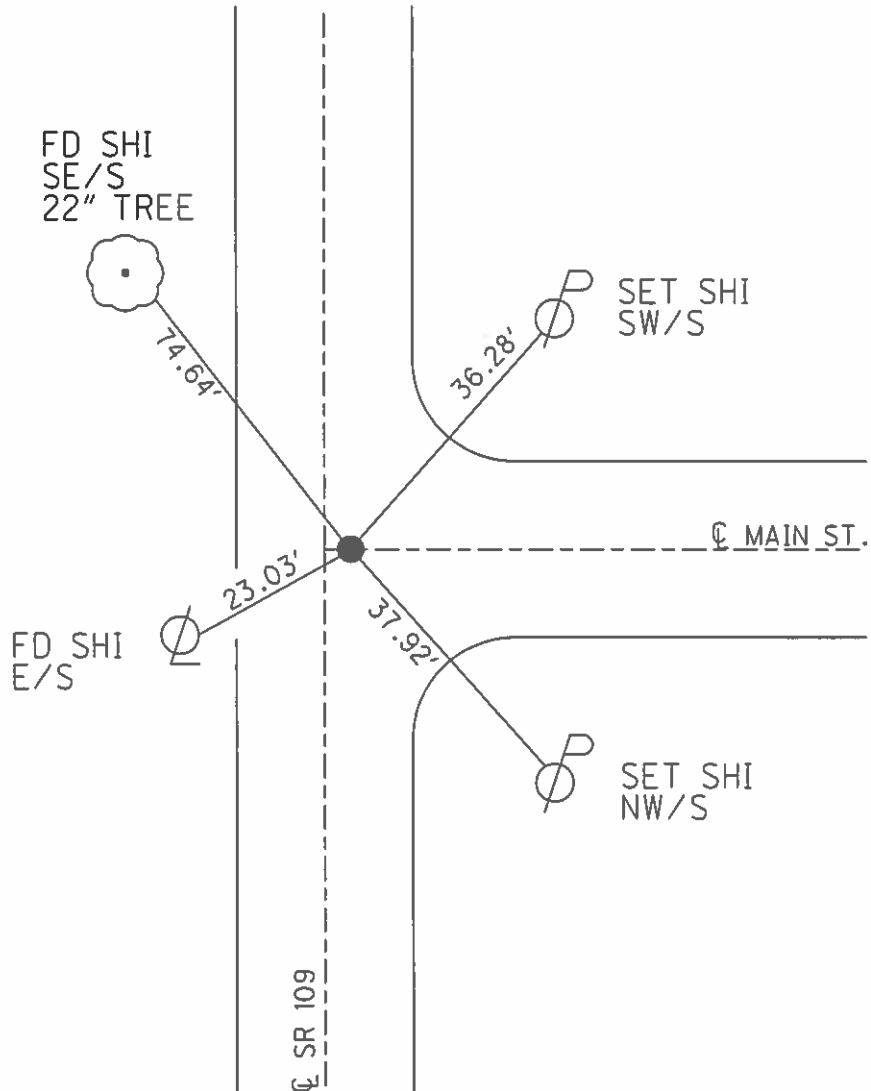
PERSONNEL \_\_\_\_\_ REFERENCE NO. 23 A SHEET 9 OF 38  
 NOTES CANTERBURY DATE 8-31-04 ROUTE SR 109  
 H.C. BARNHISEL WEATHER SUNNY COUNTY HENRY  
 R.C. HOOKER TEMP. 70°F TOWNSHIP MONROE  
 \_\_\_\_\_ SECTION 11  
 \_\_\_\_\_ T 4 N R 7 E

TYPE MONUMENT PK/WASHER  
 ON SURFACE - ~~BELOW~~ ON  
~~LEFT~~ - Q PAV'T - RIGHT 0.5'  
10.6' TO LT EDGE PAVEMENT  
 S.L.M. 571+15



Grid: Northing: 640291.0714 Easting: 1572289.2497

RECORD:  
 SET MAG/WASHER  
 10-28-04, MC



O.D.O.T. DISTRICT 2 SURVEY OFFICE (USE ONLY)

PERSONNEL

REFERENCE NO. 23 B

SHEET 10 OF 39

NOTES BALBAUGH

DATE 4/6/20

ROUTE SR 109

H.C. O'DONNELL

WEATHER SUNNY

COUNTY HENRY

R.C. LEU

TEMP. 43°

TOWNSHIP MONROE

SECTION 11

DWG BY GARRETT PID PAVETRAIN

T 4 N R 7 E

TYPE MONUMENT SM.R.R.SPIKE

~~ON SURFACE~~ - BELOW 4"

OFFSET  $\odot$  PAVEMENT ON LT : RT

9.4' TO LT EDGE PAVEMENT

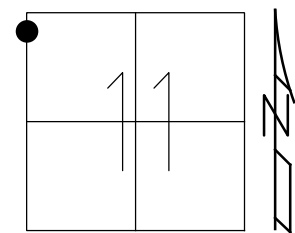
STATION: 578+49

HORZ.DATUM: NAD83 (2011)

GEOID: 2012A

GRID: NORTHING: 640257.309

EASTING: 1572666.359



RECORD:  
 FD P.K.NAIL  
 8/31/04, MB  
 SET MAG/WASHER  
 10-28-04, MC  
 FD SM RR SPIKE  
 4" DOWN  
 REFB23  
 4/6/20, JFO

SET "+" RIM  $\odot$  29.58' P  
 SAN MH

FD SHI  $\odot$  31.08'

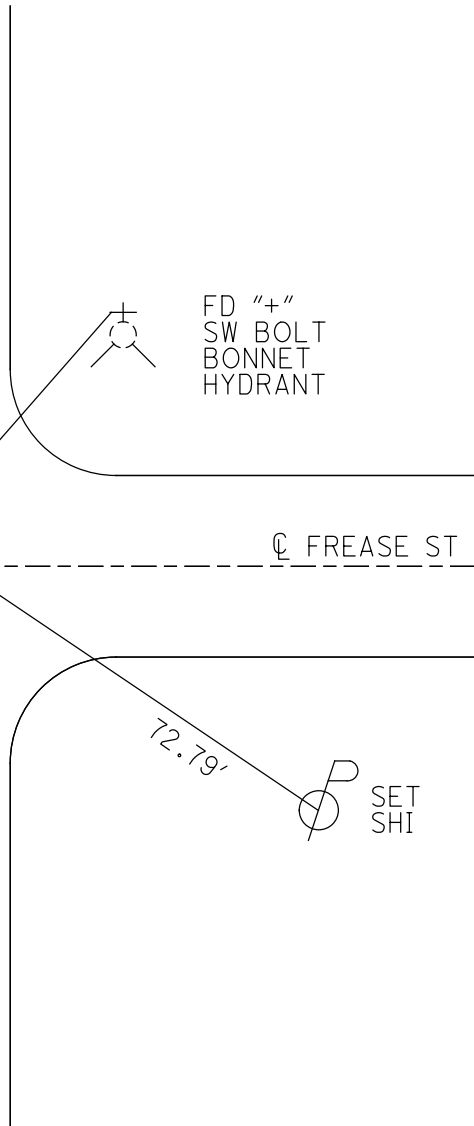
$\odot$  SR 109

FD "+"  
 SW BOLT  
 BONNET  
 HYDRANT

$\odot$  FREASE ST

72.79'  $\odot$  SET SHI

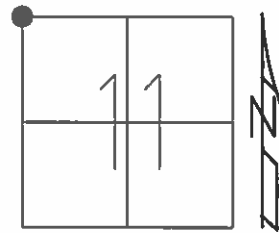
34.12'



O.D.O.T. DISTRICT 2 SURVEY OFFICE (USE ONLY)

PERSONNEL \_\_\_\_\_ REFERENCE NO. 24 SHEET 11 OF 38  
 NOTES RHOADES DATE 9-3-15 ROUTE SR 109  
 H.C. O'DONNELL WEATHER CLEAR COUNTY HENRY  
 R.C. RHOADES TEMP. 88°F TOWNSHIP MONROE  
 \_\_\_\_\_ SECTION 11  
 \_\_\_\_\_ T 4 N R 7 E

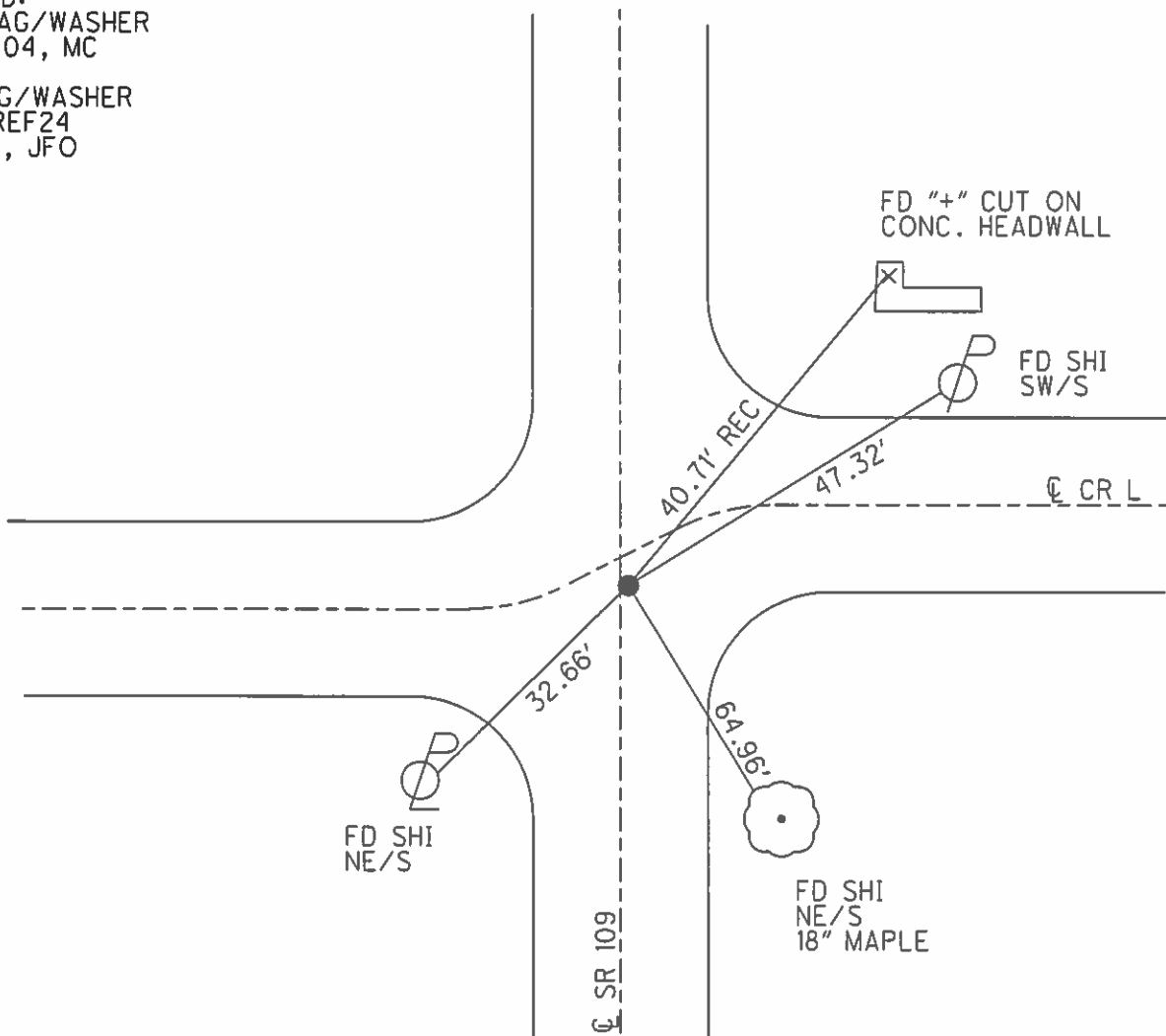
TYPE MONUMENT MAG/WASHER  
 ON SURFACE - ~~BELOW~~ ON  
~~LEFT~~ - CL PAV'T - RIGHT 0.5'  
9.2' TO RT EDGE PAVEMENT  
 S.L.M. 583+69



Grid: Northing: 640241.0807 Easting: 1573133.7245

RECORD:  
 SET MAG/WASHER  
 10-28-04, MC

FD MAG/WASHER  
 GPS, REF24  
 9-2-15, JFO



O.D.O.T. DISTRICT 2 SURVEY OFFICE (USE ONLY)

PERSONNEL

REFERENCE NO. 25

SHEET 12 OF 36

NOTES RHOADES

DATE 6/27/22

ROUTE SR 109

H.C. AUBLE

WEATHER SUNNY

COUNTY HENRY

R.C. RHOADES

TEMP. 67°

TOWNSHIP MONROE

SECTION 2

DWG BY RHOADES PID PAVETRAIN

T 4 N R 7 E

TYPE MONUMENT MAG/WASHER

ON SURFACE - ~~BELOW~~ ON

OFFSET  $\odot$  PAVEMENT 2.3'  $\pm$  : RT

6.9' TO RT EDGE PAVEMENT

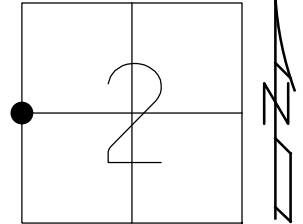
STATION: 604+03.2

HORIZ.DATUM: NAD83 2011

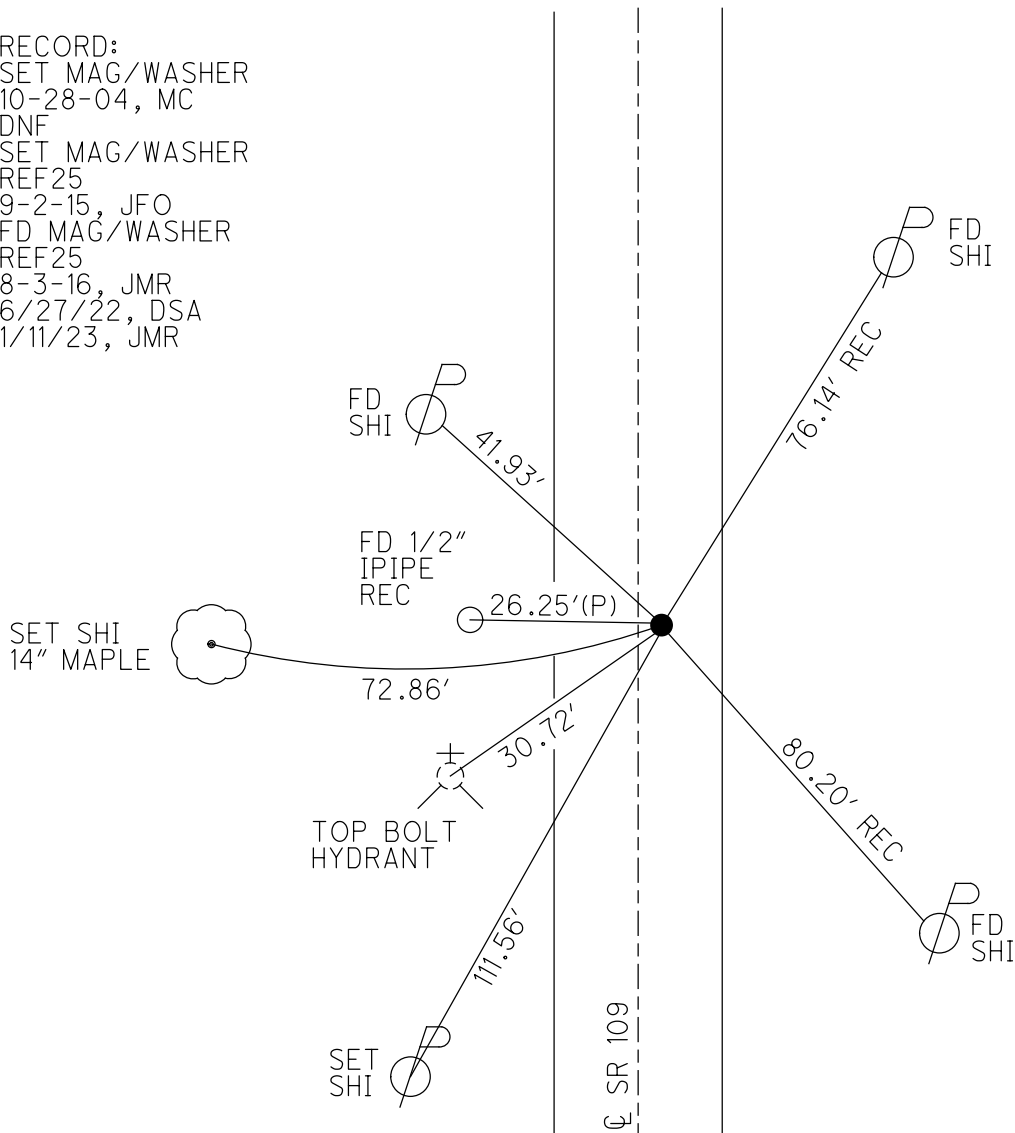
GEOID: NAVD88 2018

GRID: NORTHING: 611188.418

EASTING: 1546181.825



RECORD:  
 SET MAG/WASHER  
 10-28-04, MC  
 DNF  
 SET MAG/WASHER  
 REF25  
 9-2-15, JFO  
 FD MAG/WASHER  
 REF25  
 8-3-16, JMR  
 6/27/22, DSA  
 1/11/23, JMR



O.D.O.T. DISTRICT 2 SURVEY OFFICE (USE ONLY)

PERSONNEL \_\_\_\_\_ REFERENCE NO. 26 SHEET 13 OF 36

NOTES RHOADES DATE 6/27/22 ROUTE SR 109

H.C. AUBLE WEATHER SUNNY COUNTY HENRY

R.C. RHOADES TEMP. 67° TOWNSHIP MONROE

DWG BY RHOADES PID PAVETRAIN SECTION 3

T 4 N R 7 E

TYPE MONUMENT SM.R.R.SPIKE

ON SURFACE - ~~BELOW~~ ON \_\_\_\_\_

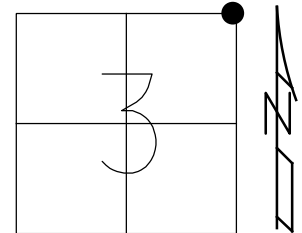
OFFSET Q PAVEMENT 83.1' LT : ~~RT~~

5' TO S EDGE PAVEMENT

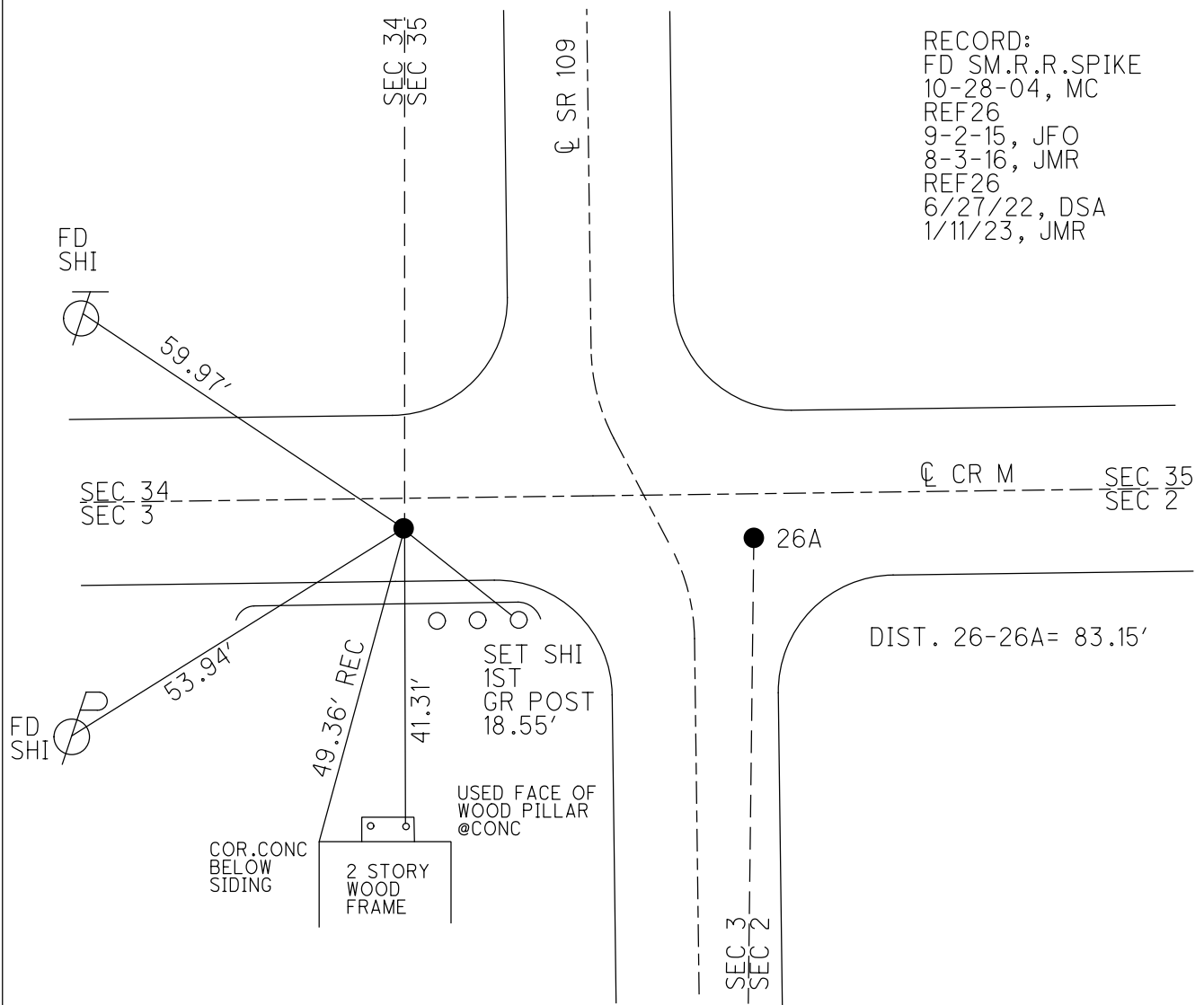
STATION: 637+82

HORZ.DATUM: NAD83 2011 GEOID: NAVD88 2018

GRID: NORTHING: 613990.099 EASTING: 1546109.261



RECORD:  
 FD SM.R.R.SPIKE  
 10-28-04, MC  
 REF26  
 9-2-15, JFO  
 8-3-16, JMR  
 REF26  
 6/27/22, DSA  
 1/11/23, JMR



O.D.O.T. DISTRICT 2 SURVEY OFFICE (USE ONLY)

PERSONNEL

REFERENCE NO. 26 A

SHEET 14 OF 36

NOTES RHOADES

DATE 6/27/22

ROUTE SR 109

H.C. AUBLE

WEATHER SUNNY

COUNTY HENRY

R.C. RHOADES

TEMP. 67°

TOWNSHIP MONROE

DWG BY RHOADES

PID PAVETRAIN

SECTION 2

T 4 N R 7 E

TYPE MONUMENT MAG/WASHER

ON SURFACE - ~~BELOW~~ ON

OFFSET 0 PAVEMENT 19' ~~RT~~ : RT

0.5' TO S EDGE PAVEMENT

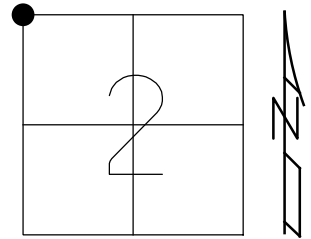
STATION: 637+82

HORZ. DATUM: NAD83 2011

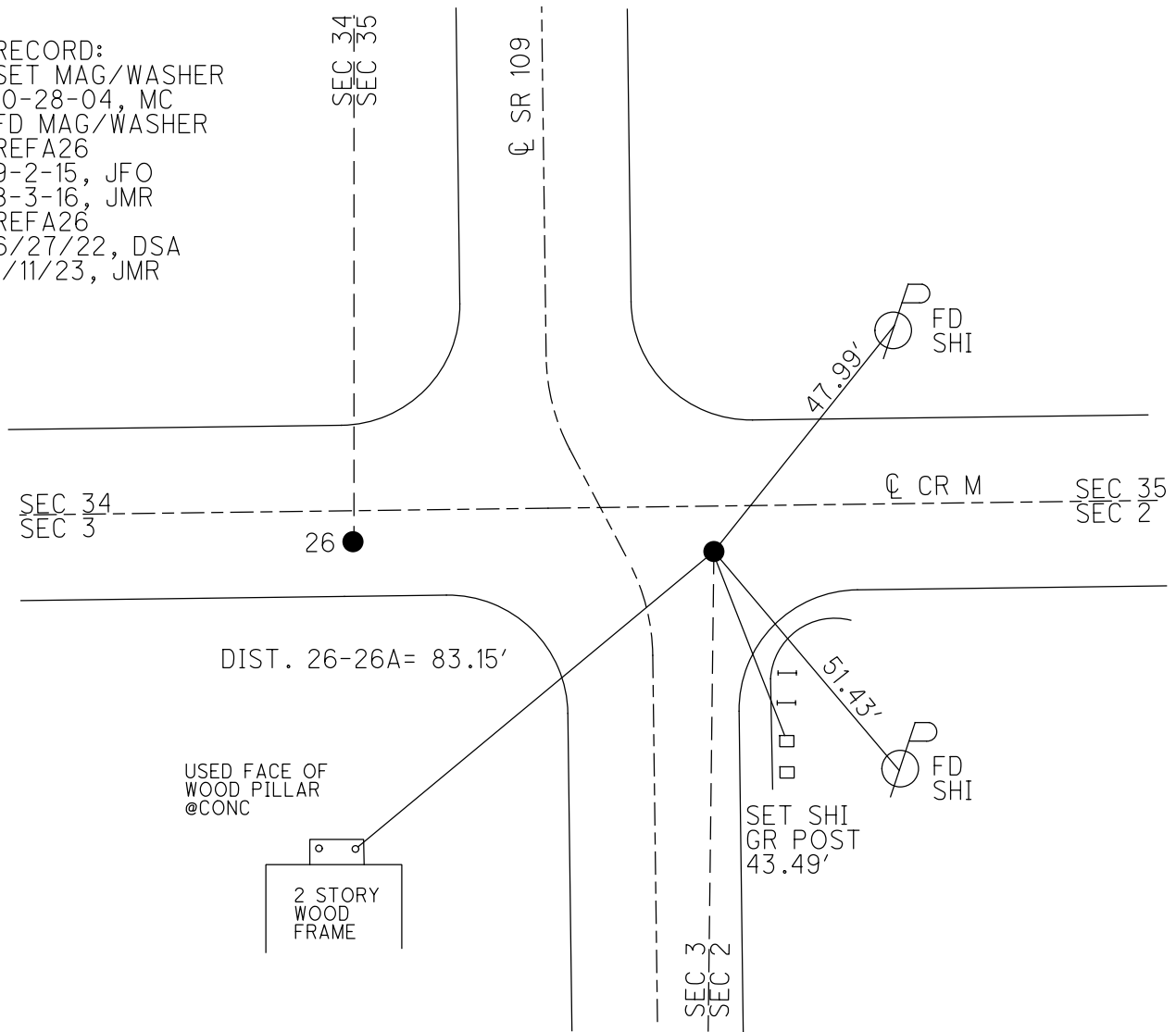
GEOID: NAVD88 2018

GRID: NORTHING: 613988.724

EASTING: 1546192.375



RECORD:  
 SET MAG/WASHER  
 10-28-04, MC  
 FD MAG/WASHER  
 REFA26  
 9-2-15, JFO  
 8-3-16, JMR  
 REFA26  
 6/27/22, DSA  
 1/11/23, JMR



O.D.O.T. DISTRICT 2 SURVEY OFFICE (USE ONLY)

PERSONNEL \_\_\_\_\_ REFERENCE NO. 27 SHEET 15 OF 36

NOTES RHOADES DATE 6/27/22  
 H.C. AUBLE WEATHER SUNNY  
 R.C. RHOADES TEMP. 67°

ROUTE SR 109  
 COUNTY HENRY  
 TOWNSHIP HARRISON  
 SECTION 35

DWG BY RHOADES PID PAVETRAIN

T 5 N R 7 E

TYPE MONUMENT MAG/WASHER

ON SURFACE - ~~BELOW~~ ON

OFFSET 6.6' LT : RT

3' TO RT EDGE PAVEMENT

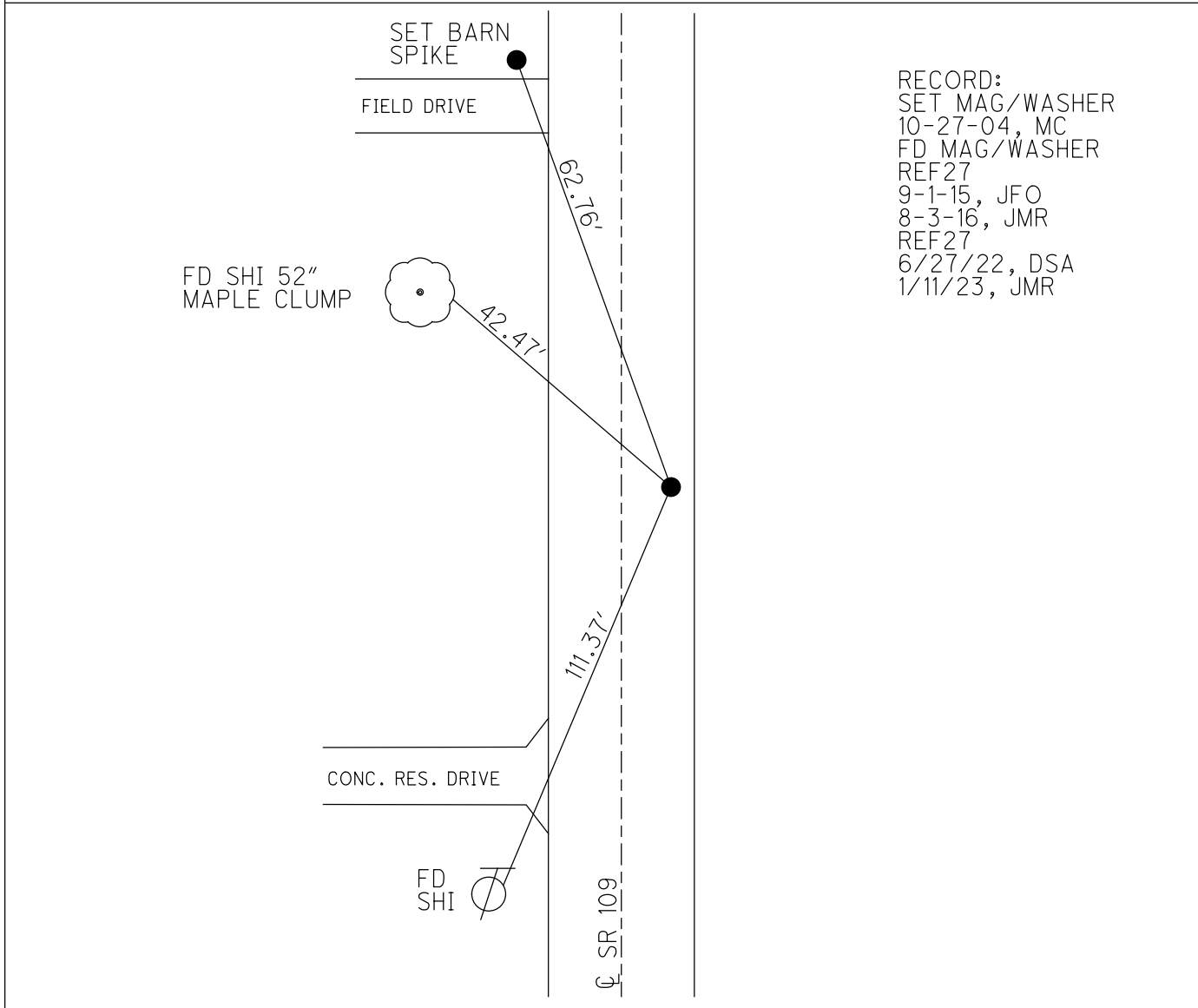
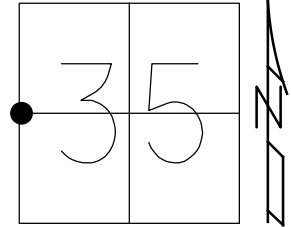
STATION: 664+75.2

HORIZ.DATUM: NAD83 2011

GEOID: NAVD88 2018

GRID: NORTHING: 616639.985

EASTING: 1546155.462



RECORD:  
 SET MAG/WASHER  
 10-27-04, MC  
 FD MAG/WASHER  
 REF27  
 9-1-15, JFO  
 8-3-16, JMR  
 REF27  
 6/27/22, DSA  
 1/11/23, JMR



O.D.O.T. DISTRICT 2 SURVEY OFFICE (USE ONLY)

PERSONNEL

REFERENCE NO. 28

SHEET 16 OF 36

NOTES RHOADES

DATE 6/27/22

ROUTE SR 109

H.C. AUBLE

WEATHER SUNNY

COUNTY HENRY

R.C. RHOADES

TEMP. 67°

TOWNSHIP HARRISON

SECTION 35

DWG BY RHOADES

PID PAVETRAIN

T 5 N R 7 E

TYPE MONUMENT MAG/WASHER

ON SURFACE - ~~BELOW~~ ON

OFFSET 8' LT : RT

2' TO RT EDGE PAVEMENT

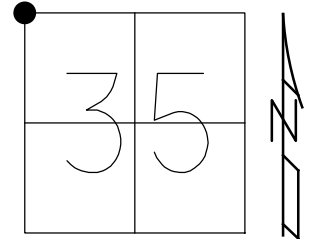
STATION: 691+15.2

HORIZ.DATUM: NAD83 2011

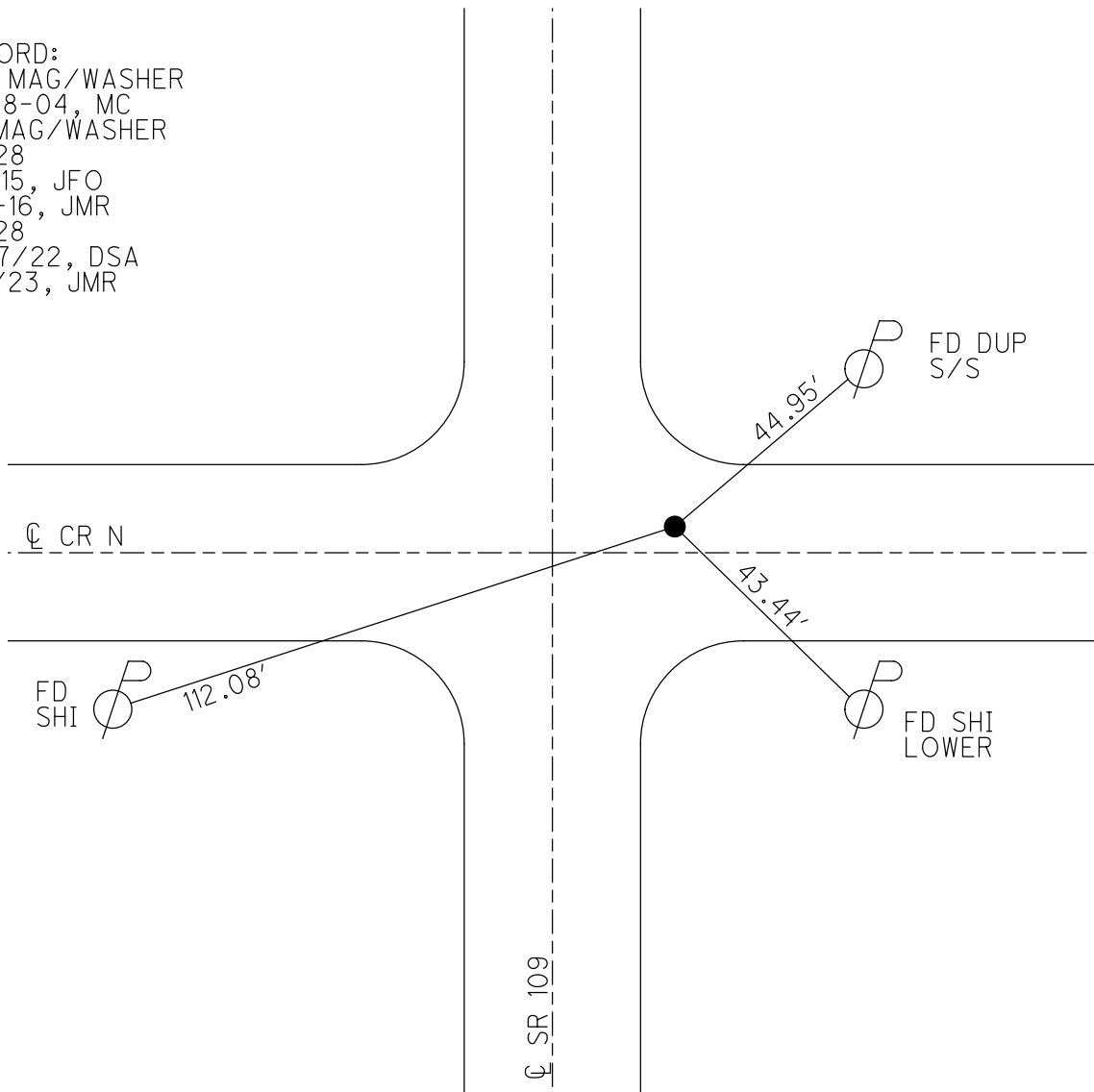
GEOID: NAVD88 2018

GRID: NORTHING: 619288.527

EASTING: 156202.286



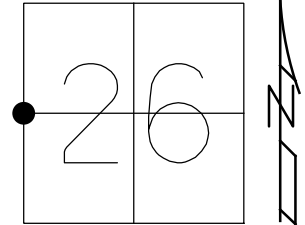
RECORD:  
SET MAG/WASHER  
10-28-04, MC  
FD MAG/WASHER  
REF28  
9-1-15, JFO  
8-3-16, JMR  
REF28  
6/27/22, DSA  
1/11/23, JMR



O.D.O.T. DISTRICT 2 SURVEY OFFICE (USE ONLY)

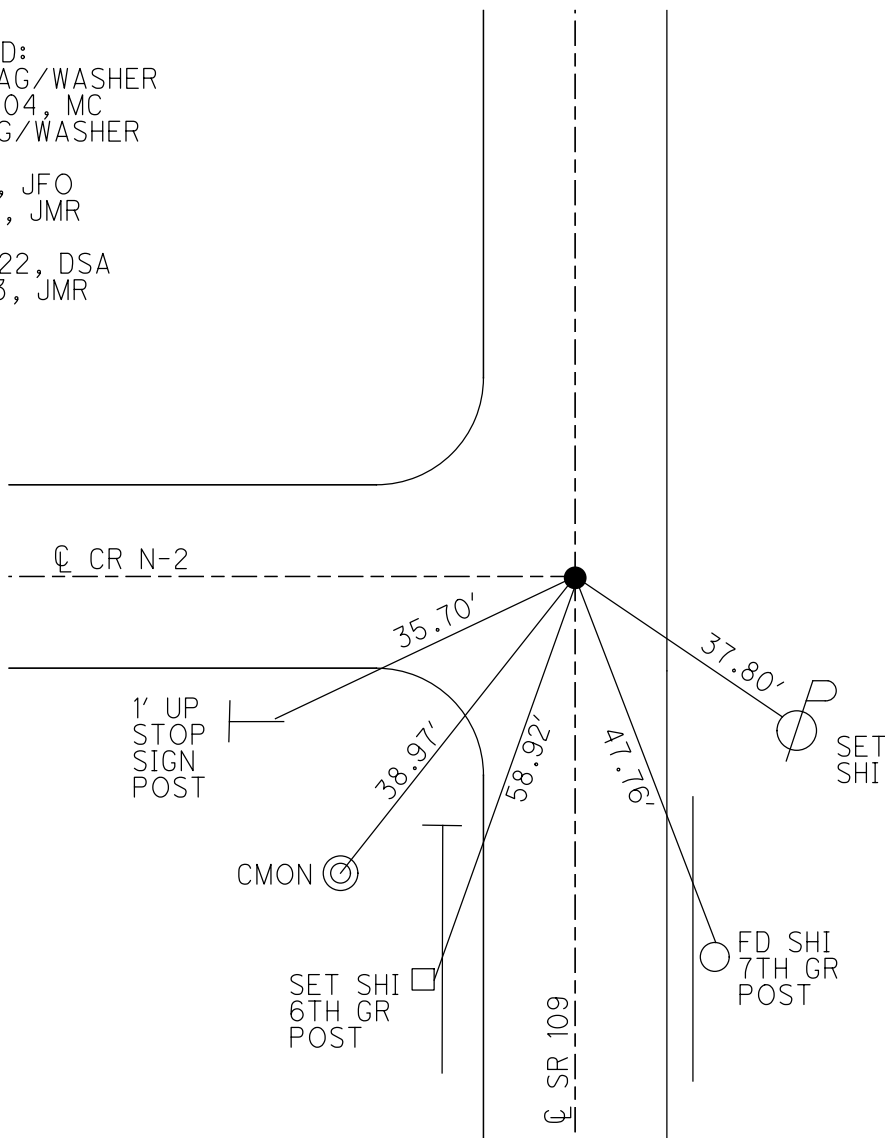
PERSONNEL \_\_\_\_\_ REFERENCE NO. 29 SHEET 17 OF 36  
 NOTES RHOADES DATE 6/27/22 ROUTE SR 109  
 H.C. AUBLE WEATHER SUNNY COUNTY HENRY  
 R.C. RHOADES TEMP. 67° TOWNSHIP HARRISON  
 DWG BY RHOADES PID PAVETRAIN SECTION 35  
 T 5 N R 7 E

TYPE MONUMENT MAG/WASHER  
 ON SURFACE - ~~BELOW~~ ON  
 OFFSET  $\odot$  PAVEMENT ON LT : RT  
9.9' TO RT EDGE PAVEMENT  
 STATION: 717+55.2



HORZ.DATUM: NAD83 2011 GEOID: NAVD88 2018  
 GRID: NORTHING: 621932.633 EASTING: 1546250.299

RECORD:  
 SET MAG/WASHER  
 10-28-04, MC  
 FD MAG/WASHER  
 REF29  
 9-1-15, JFO  
 8-3-16, JMR  
 REF29  
 6/27/22, DSA  
 1/11/23, JMR

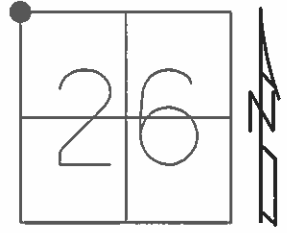


O.D.O.T. DISTRICT 2 SURVEY OFFICE (USE ONLY)

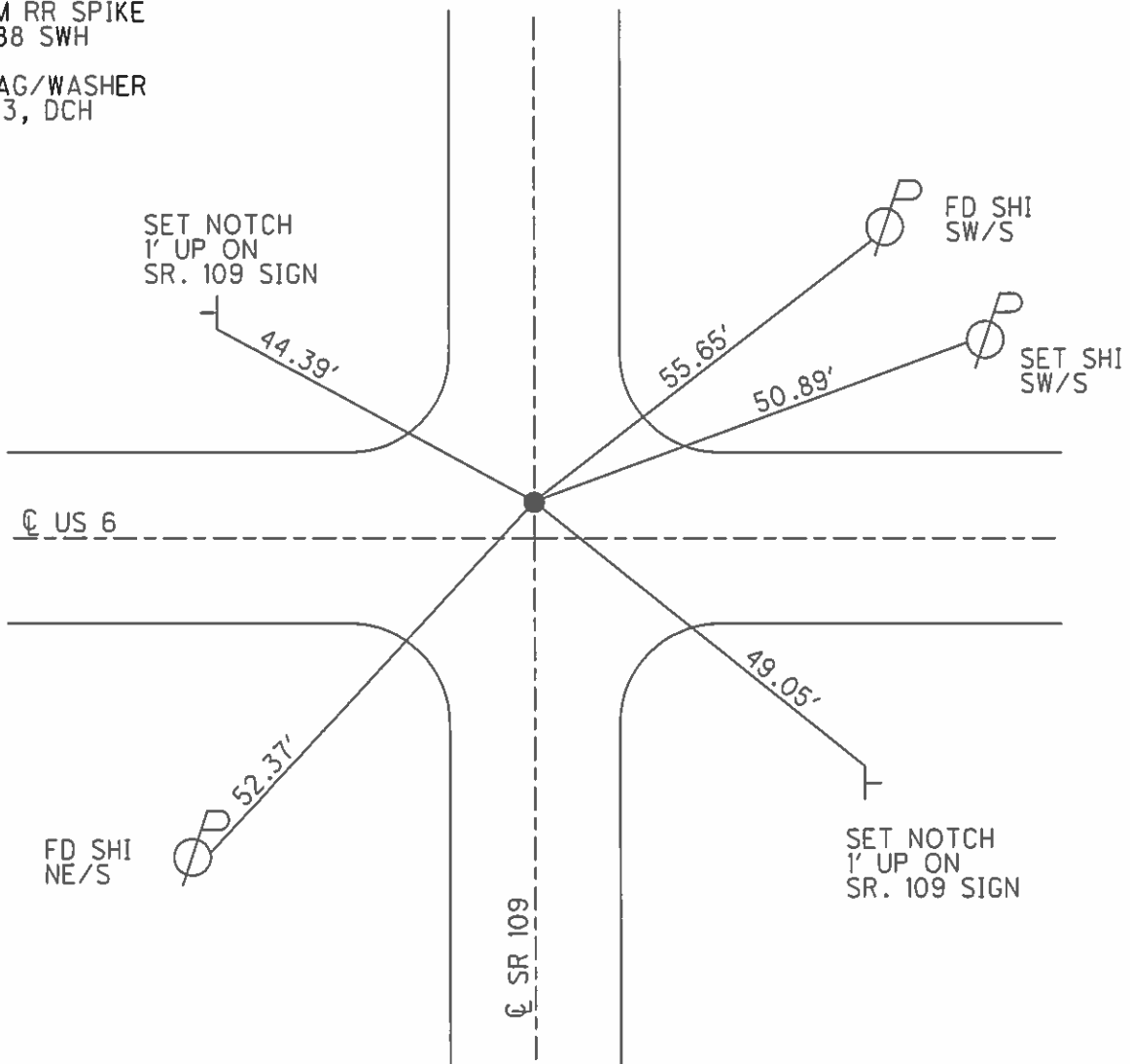
PERSONNEL \_\_\_\_\_ REFERENCE NO. 30 SHEET 18 OF 38

NOTES HOFFMAN DATE 3-19-84 ROUTE SR 109  
 H.C. BARNHISEL WEATHER OVERCAST COUNTY HENRY  
 R.C. HOUSEHOLDER TEMP. 30°F TOWNSHIP HARRISON  
 \_\_\_\_\_ SECTION 26  
 \_\_\_\_\_ T 5 N R 7 E

TYPE MONUMENT PK NAIL  
 ON SURFACE - ~~BELOW~~ ON  
 LEFT - ☉ PAV'T - RIGHT ON  
 \_\_\_\_\_ TO \_\_\_\_\_ EDGE PAVEMENT  
 S.L.M. 743+95  
 Grid: Northing: \_\_\_\_\_ Easting: \_\_\_\_\_



RECORD:  
 SET SM RR SPIKE  
 6-20-88 SWH  
 SET MAG/WASHER  
 4-21-03, DCH



O.D.O.T. DISTRICT 2 SURVEY OFFICE (USE ONLY)

PERSONNEL

REFERENCE NO. 30 A

SHEET 19 OF 39

NOTES RHOADES DATE 9/3/15

H.C. O'DONNELL WEATHER CLEAR

R.C. RHOADES TEMP. 88°

ROUTE SR 109

COUNTY HENRY

TOWNSHIP HARRISON

SECTION 23

DWG BY RHOADES PID PAVTRAIN

T    N    R    E

TYPE MONUMENT MAG/WASHER

ON SURFACE - ~~BELOW~~ ON

OFFSET     $\odot$  PAVEMENT ON    LT : RT

9.7' TO LT EDGE PAVEMENT

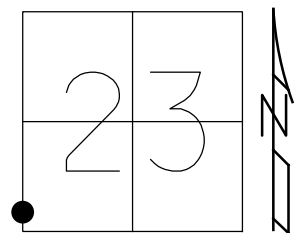
STATION: 757+16

HORZ. DATUM: NAD83 2011

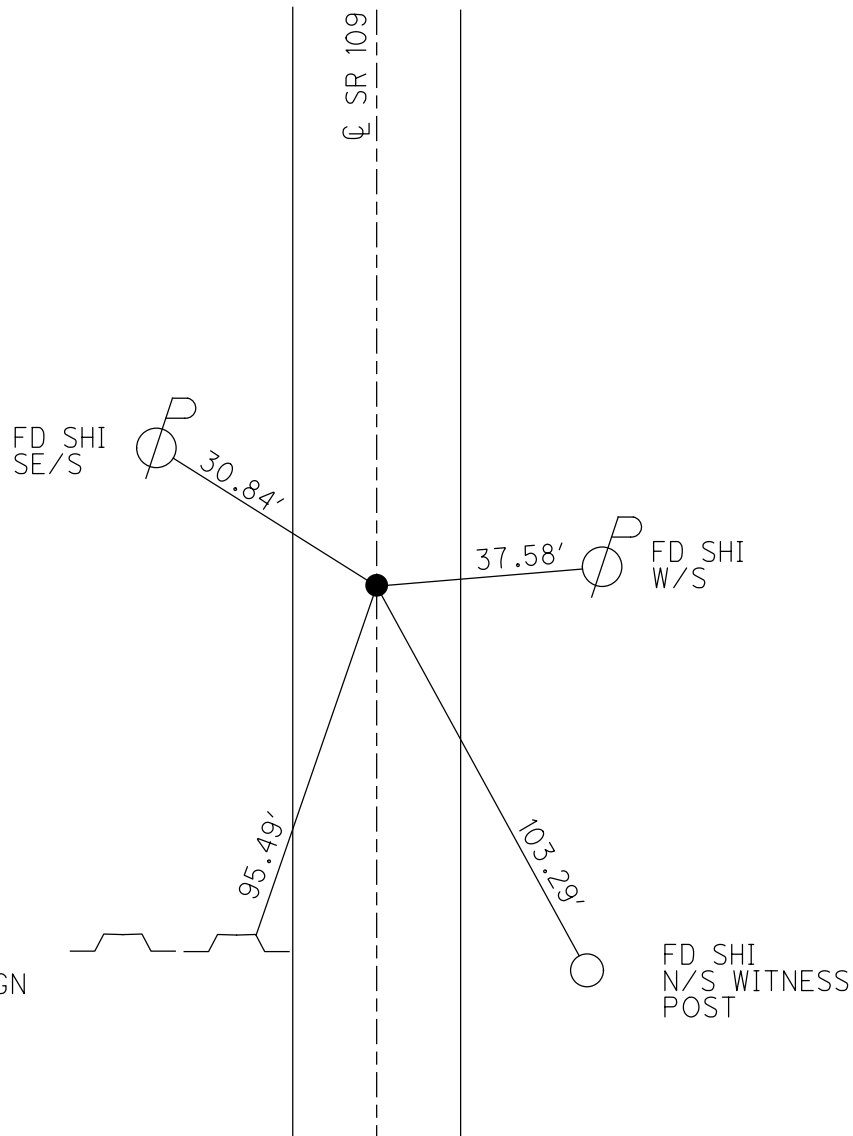
GEOID: NAVD88 2018

GRID: NORTHING: 625899.104

EASTING: 1546338.985



RECORD:  
 SET MAG/WASHER  
 10-29-04, D.H  
 FD MAG/WASHER  
 REFA30  
 9-1-15, JFO  
 8-3-16, JMR  
 FD MAG/WASHER  
 REFA30  
 6/16/21, TDN  
 10/5/21, JFO



O.D.O.T. DISTRICT 2 SURVEY OFFICE (USE ONLY)

PERSONNEL

REFERENCE NO. 30 B

SHEET 20 OF 39

NOTES RHOADES DATE 9/3/15  
 H.C. O'DONNELL WEATHER CLEAR  
 R.C. RHOADES TEMP. 88°

ROUTE SR 109  
 COUNTY HENRY  
 TOWNSHIP HARRISON  
 SECTION 23  
 T 5 N R 7 E

DWG BY RHOADES PID PAVTRAIN

TYPE MONUMENT MAG/WASHER

ON SURFACE - ~~BELOW~~ ON

OFFSET  $\varnothing$  PAVEMENT 1.0' ~~±~~ : RT

10.5' TO LT EDGE PAVEMENT

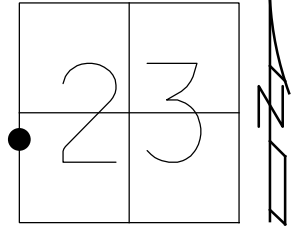
STATION: 767+41

HORIZ.DATUM: NAD83 2011

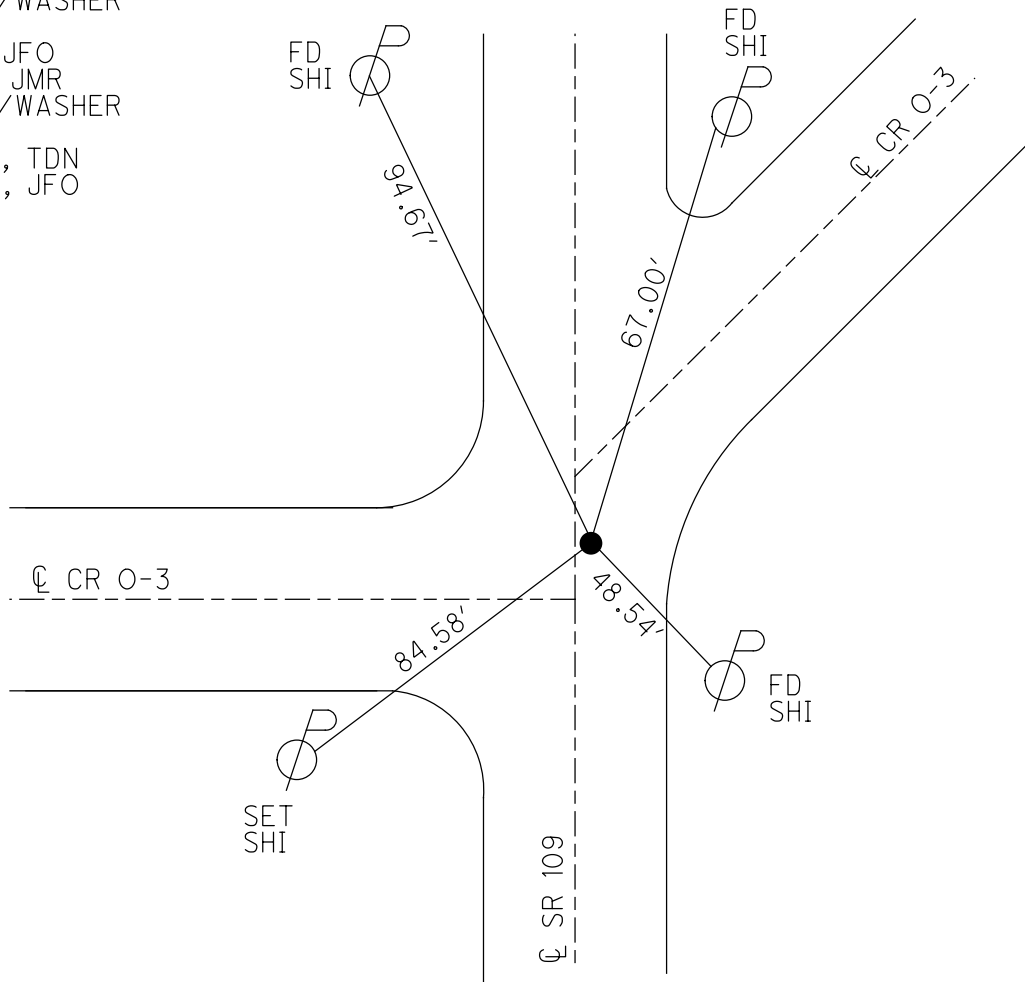
GEOID: NAVD88 2018

GRID: NORTHING: 626924.182

EASTING: 1546360.213



RECORD:  
 SET MAG/WASHER  
 10-29-04, D.H  
 FD MAG/WASHER  
 REFB30  
 9-1-15, JFO  
 8-3-16, JMR  
 FD MAG/WASHER  
 REFB30  
 6/16/21, TDN  
 10/5/21, JFO



O.D.O.T. DISTRICT 2 SURVEY OFFICE (USE ONLY)

PERSONNEL \_\_\_\_\_ REFERENCE NO. 31 SHEET 21 OF 39

NOTES CORDES DATE 8/27/04 ROUTE SR 109

H.C. BARNHISEL WEATHER OVERCAST COUNTY HENRY

R.C. HOOVER TEMP. 80° TOWNSHIP HARRISON

SECTION 23

DWG BY RHOADES PID PVTRAIN

T 5 N R 7 E

TYPE MONUMENT MONBOX W/IPIN

ON SURFACE - ~~BELOW~~ ON \_\_\_\_\_

OFFSET  $\odot$  PAVEMENT 1.4' ~~LT~~ : RT

8.6' TO RT EDGE PAVEMENT

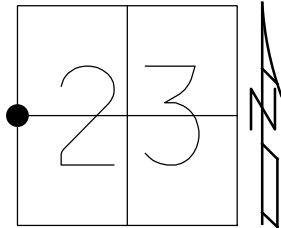
STATION: 770+40

HORZ. DATUM: NAD83 2011

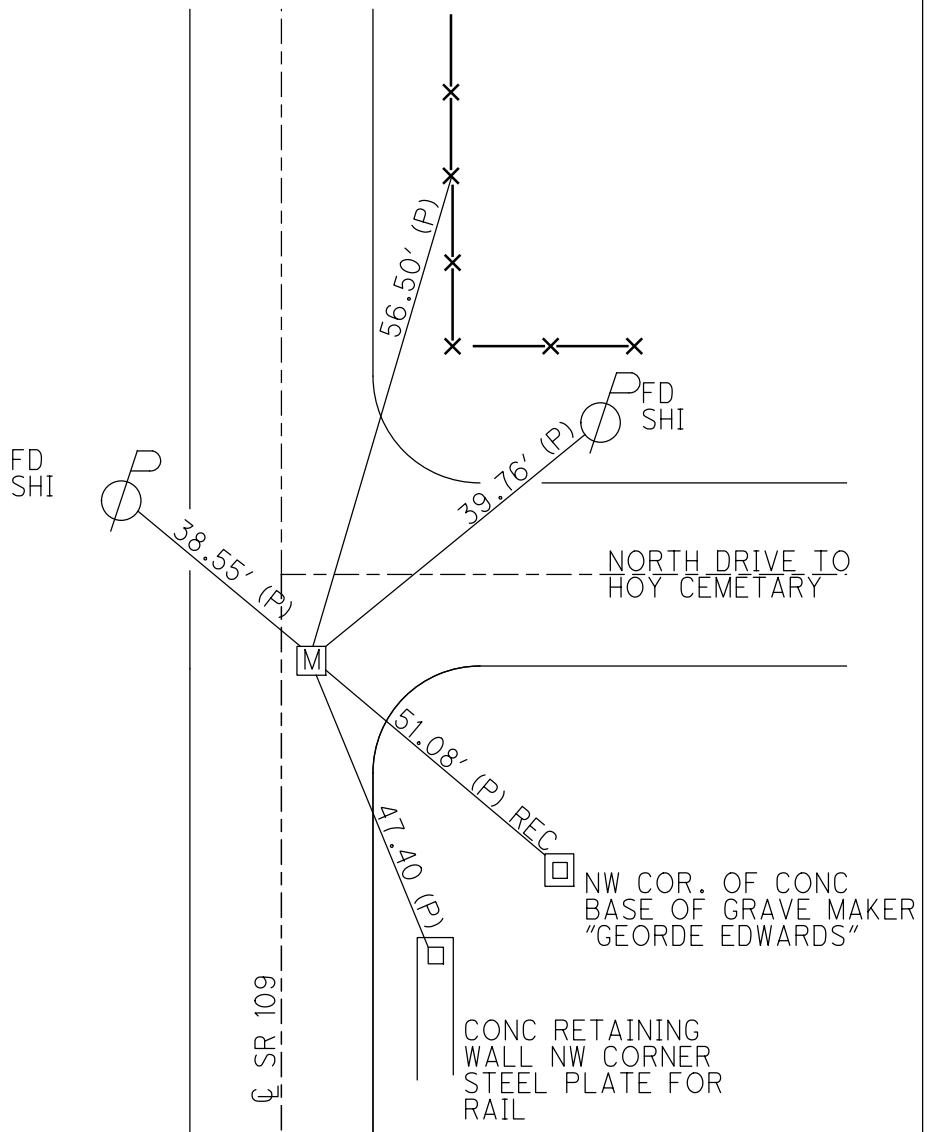
GEOID: NAVD88 2018

GRID: NORTHING: 627222.507

EASTING: 1546366.373



RECORD:  
 FD R.R. SPIKE  
 SET BY HENRY CO.  
 9-4-80  
 FD MONBOX  
 MONREF31  
 9-1-15, JFO  
 8-3-16, JMR  
 FD MONBOX  
 SHOT TOP  
 REF31  
 6/16/21, TDN  
 10/5/21, JFO



O.D.O.T. DISTRICT 2 SURVEY OFFICE (USE ONLY)

PERSONNEL

REFERENCE NO. 32

SHEET 22 OF 39

NOTES RHOADES

DATE 9/3/15

ROUTE SR 109

H.C. O'DONNELL

WEATHER CLEAR

COUNTY HENRY

R.C. RHOADES

TEMP. 88°

TOWNSHIP HARRISON

SECTION 23

DWG BY RHOADES PID PAVTRAIN

T 5 N R 7 E

TYPE MONUMENT MAG/WASHER

ON SURFACE - ~~BELOW~~ ON

OFFSET  $\odot$  PAVEMENT 6' LT : ~~RT~~

- TO - EDGE PAVEMENT

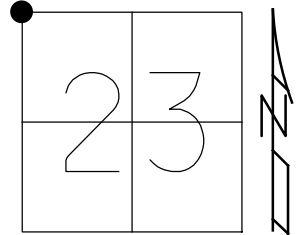
STATION: 796+79

HORZ.DATUM: NAD83 2011

GEOID: NAVD88 2018

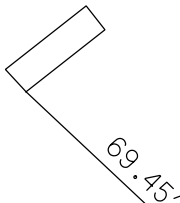
GRID: NORTHING: 629863.161

EASTING: 1546421.292

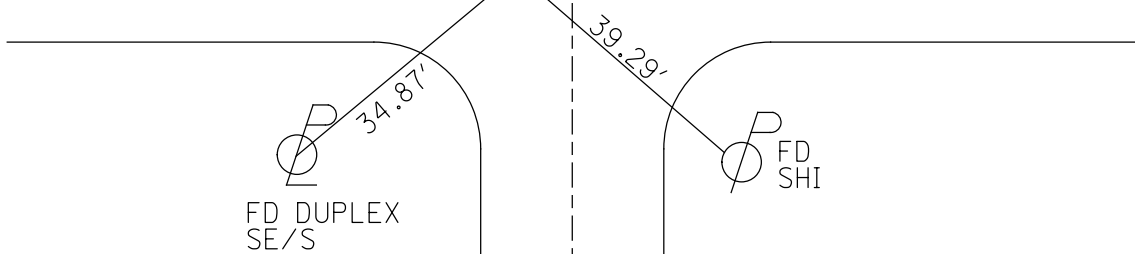
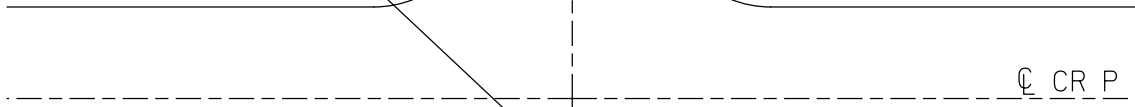


SHARON  
METHODIST  
CHURCH SIGN

TOP OF 4TH  
BRICK UP  
SOUTH COR. OF  
CHURCH SIGN



RECORD:  
SET MAG/WASHER  
10-29-04, DH  
FD MAG SHANK  
REF32  
9-1-15, JFO  
8-3-16, JMR  
FD MAG/WASHER  
REF32  
6/16/21, TDN  
10/5/21, JFO



$\odot$  SR 109

O.D.O.T. DISTRICT 2 SURVEY OFFICE (USE ONLY)

PERSONNEL

REFERENCE NO. 33

SHEET 23 OF 39

NOTES CORDES

DATE 8/27/04

ROUTE SR 109

H.C. BARNHESEL

WEATHER OVERCAST

COUNTY HENRY

R.C. HOOKER

TEMP. 80°

TOWNSHIP HARRISON

SECTION 14

DWG BY RHOADES

PID PAVTRAIN

T 5 N R 7 E

TYPE MONUMENT MONBOX W/1" IPIN

ON SURFACE - ~~BELOW~~ ON

OFFSET 2.8' TO LT EDGE PAVEMENT

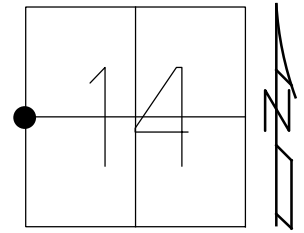
STATION: 823+36

HORZ.DATUM: NAD83 2011

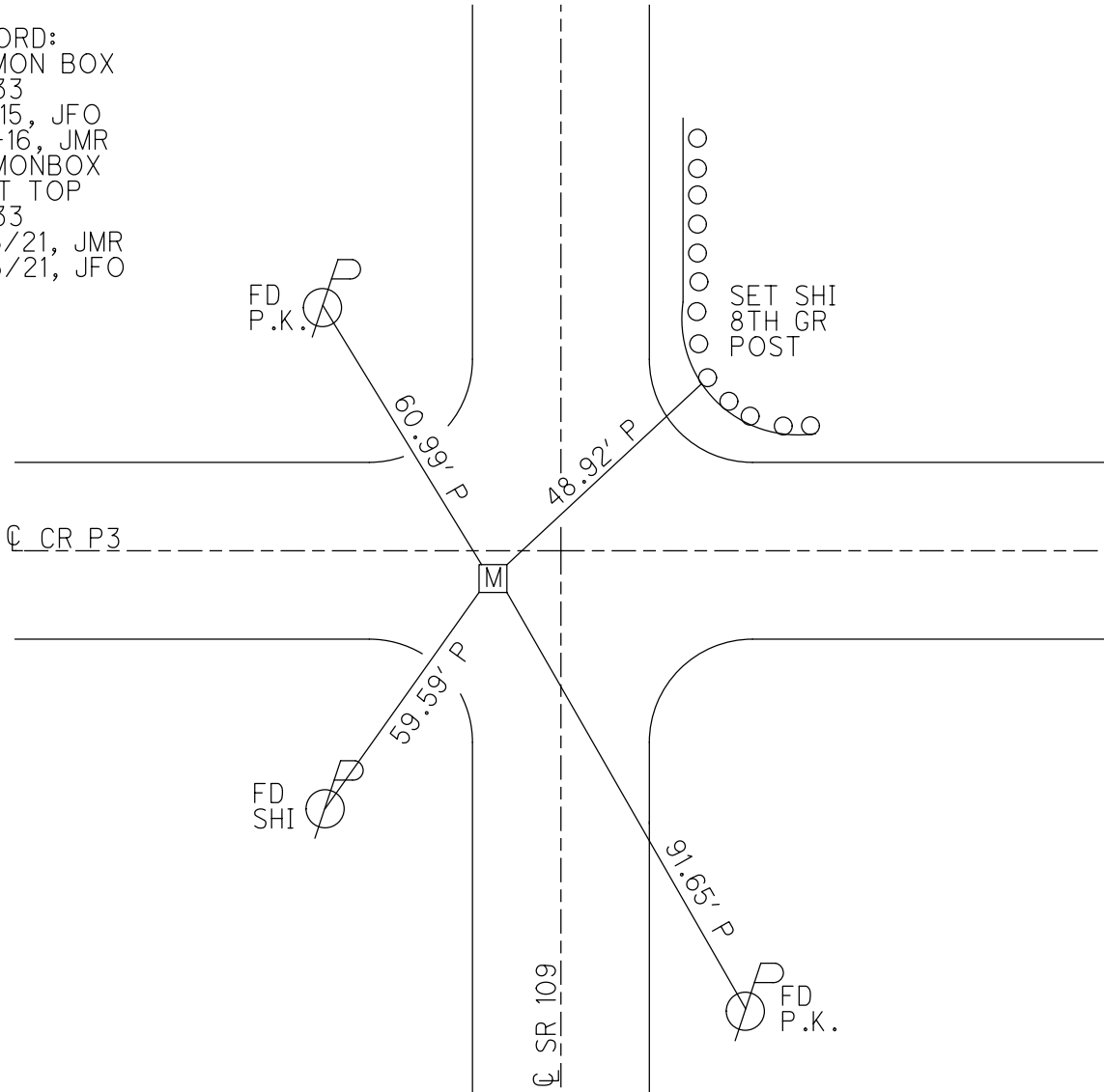
GEOID: NAVD88 2018

GRID: NORTHING: 632521.639

EASTING: 1546479.074



RECORD:  
 FD MON BOX  
 REF33  
 9-1-15, JFO  
 8-3-16, JMR  
 FD MONBOX  
 SHOT TOP  
 REF33  
 6/16/21, JMR  
 10/5/21, JFO





O.D.O.T. DISTRICT 2 SURVEY OFFICE (USE ONLY)

PERSONNEL

REFERENCE NO. 34

SHEET 24 OF 39

NOTES RHOADES

DATE 9/3/15

ROUTE SR 109

H.C. O'DONNELL

WEATHER CLEAR

COUNTY HENRY

R.C. RHOADES

TEMP. 88°

TOWNSHIP HARRISON

DWG BY RHOADES PID PAVTRAIN

SECTION 14

T 5 N R 7 E

TYPE MONUMENT MAG/WASHER

ON SURFACE - ~~BELOW~~ ON

OFFSET CL PAVEMENT ON LT : RT

9.2' TO LT EDGE PAVEMENT

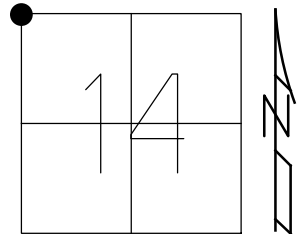
STATION: 849+80

HORZ.DATUM: NAD83 2011

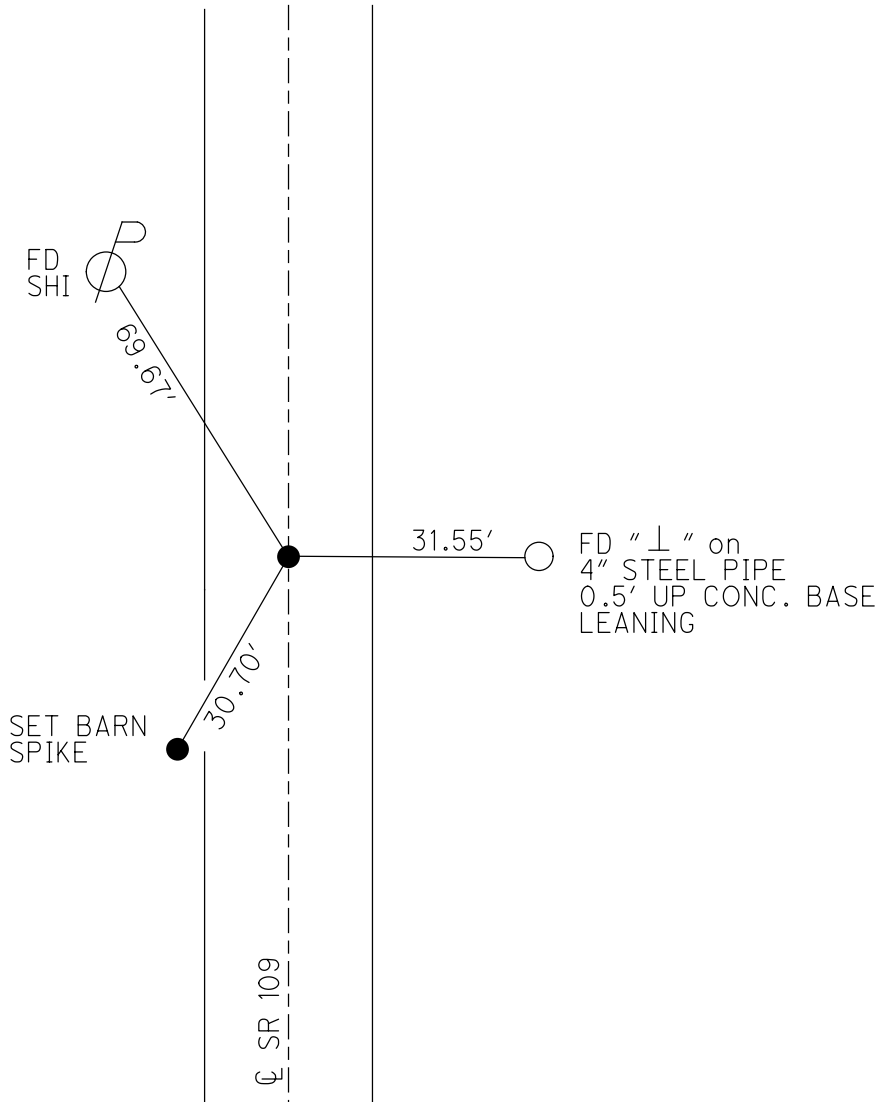
GEOID: NAVD88 2018

GRID: NORTHING: 635168.377

EASTING: 1546536.930



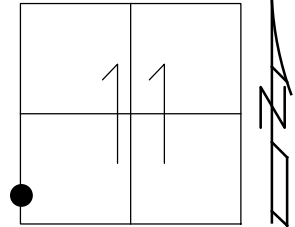
RECORD:  
 SET MAG/WASHER  
 9-15-04, MC  
 FD MAG/WASHER  
 REFB30  
 9-1-15, JFO  
 8-3-16, JMR  
 FD MAG/WASHER  
 REF34  
 6/16/21, TDN  
 10/5/21, JFO



O.D.O.T. DISTRICT 2 SURVEY OFFICE (USE ONLY)

PERSONNEL \_\_\_\_\_ REFERENCE NO. 35 SHEET 25 OF 39  
 NOTES RHOADES DATE 9/3/15 ROUTE SR 109  
 H.C. O'DONNELL WEATHER CLEAR COUNTY HENRY  
 R.C. RHOADES TEMP. 88° TOWNSHIP HARRISON  
 DWG BY RHOADES PID PAVTRAIN SECTION 11  
 T 5 N R 7 E

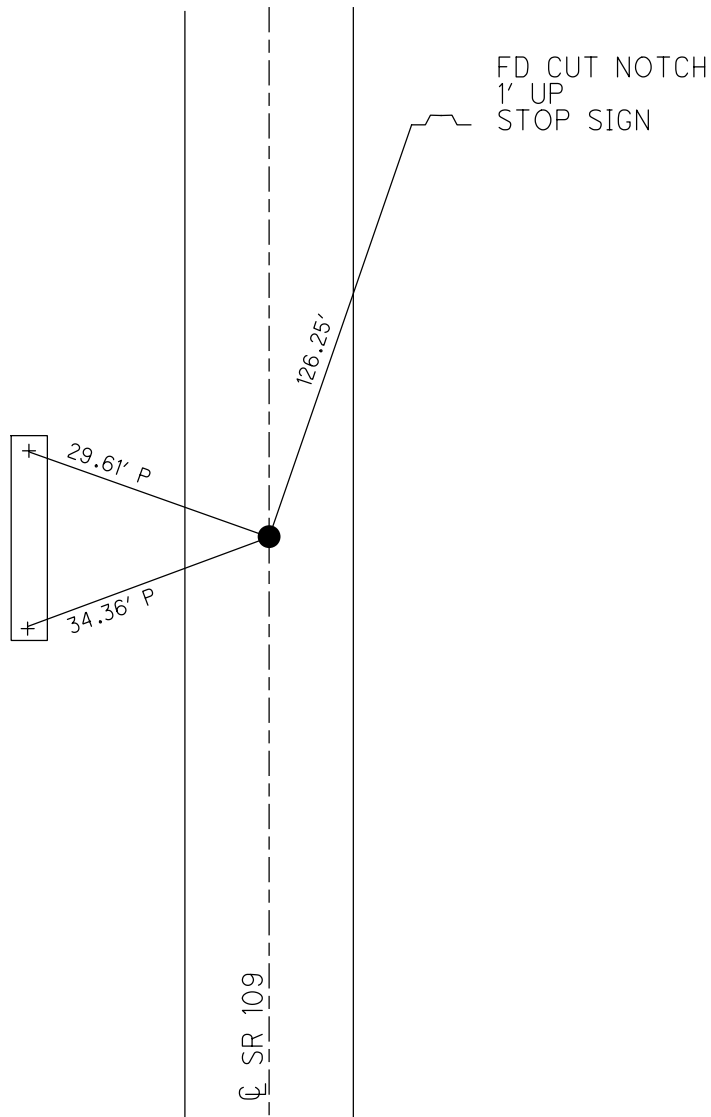
TYPE MONUMENT MAG/WASHER  
 ON SURFACE - ~~BELOW~~ ON  
 OFFSET  $\varnothing$  PAVEMENT ON LT : RT  
10.4' TO LT EDGE PAVEMENT  
 STATION: 862+98



HORIZ.DATUM: NAD83 2011 GEOID: NAVD88 2018  
 GRID: NORTHING: 636487.549 EASTING: 1546569.567

RECORD:  
 SET MAG/WASHER  
 9-15-04, MC  
 FD MAG/WASHER  
 REFB30  
 9-1-15, JFO  
 8-3-16, JMR  
 FD MAG/WASHER  
 REF35  
 6/16/21, TDN  
 10/5/21, JFO

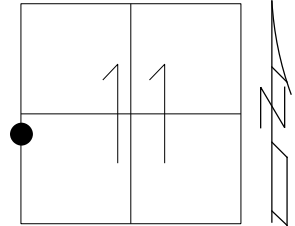
FD "+"  
 12" STEEL PIPE



O.D.O.T. DISTRICT 2 SURVEY OFFICE (USE ONLY)

PERSONNEL \_\_\_\_\_ REFERENCE NO. 36 SHEET 26 OF 36  
 NOTES ASTON DATE 2/9/24 ROUTE SR 109  
 H.C. NIESE WEATHER BREEZY COUNTY HENRY  
 R.C. ASTON TEMP. 54° TOWNSHIP HARRISON  
 \_\_\_\_\_ SECTION 11  
 DWG BY RHOADES PID 94321 T 5 N R 7 E

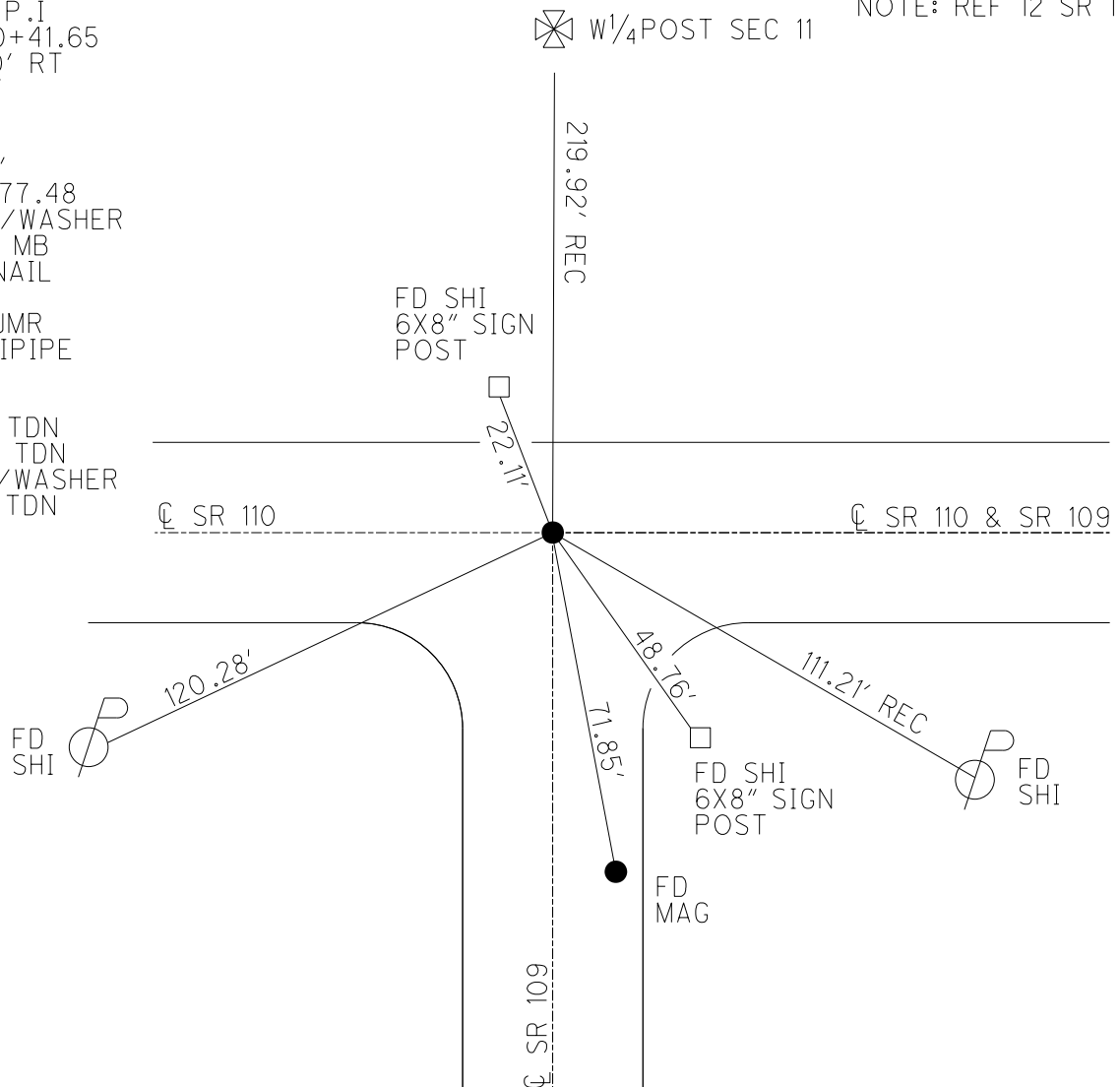
TYPE MONUMENT MAG/WASHER  
 ON SURFACE - ~~BELOW~~ ON  
 OFFSET  $\odot$  PAVEMENT ON LT : RT  
10.4' TO N EDGE PAVEMENT  
 STATION: 874+11.76



HORIZ.DATUM: NAV83 2011 GEOID: NAVD88 2018  
 GRID: NORTHING: 637588.508 EASTING: 1546596.833

RECORD: P.I  
 STA= 280+41.65  
 $\Delta = 0^\circ 30' RT$   
 $D = 0^\circ 10'$   
 $T = 150'$   
 $L = 300'$   
 $E = 0.38'$   
 $R = 34,377.48$   
 SET P.K./WASHER  
 10-11-90, MB  
 FD MAG NAIL  
 REF12  
 8-3-16, JMR  
 FD 3/4" IPIPE  
 4" DOWN  
 REF36  
 6/16/21, TDN  
 8/17/23, TDN  
 SET MAG/WASHER  
 2/9/24, TDN

NOTE: REF 12 SR 110



O.D.O.T. DISTRICT 2 SURVEY OFFICE (USE ONLY)

PERSONNEL

REFERENCE NO. 36 A

SHEET 27 OF 36

NOTES BARNHESEL DATE 9/28/90

ROUTE SR 109

H.C. BARNHESEL WEATHER CLEAR

COUNTY HENRY

R.C. HOFFMAN TEMP. 65°

TOWNSHIP HARRISON

SECTION 11

DWG BY RHOADES PID PAVETRAIN

T 5 N R 7 E

TYPE MONUMENT P.K./WASHER

ON SURFACE - ~~BELOW~~ ON

OFFSET  $\odot$  PAVEMENT ON \_\_\_\_\_ LT : RT

10.7' TO RT EDGE PAVEMENT

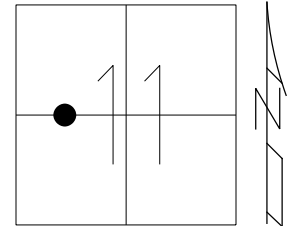
STATION: 883+78±

HORZ.DATUM: \_\_\_\_\_

GEOID: \_\_\_\_\_

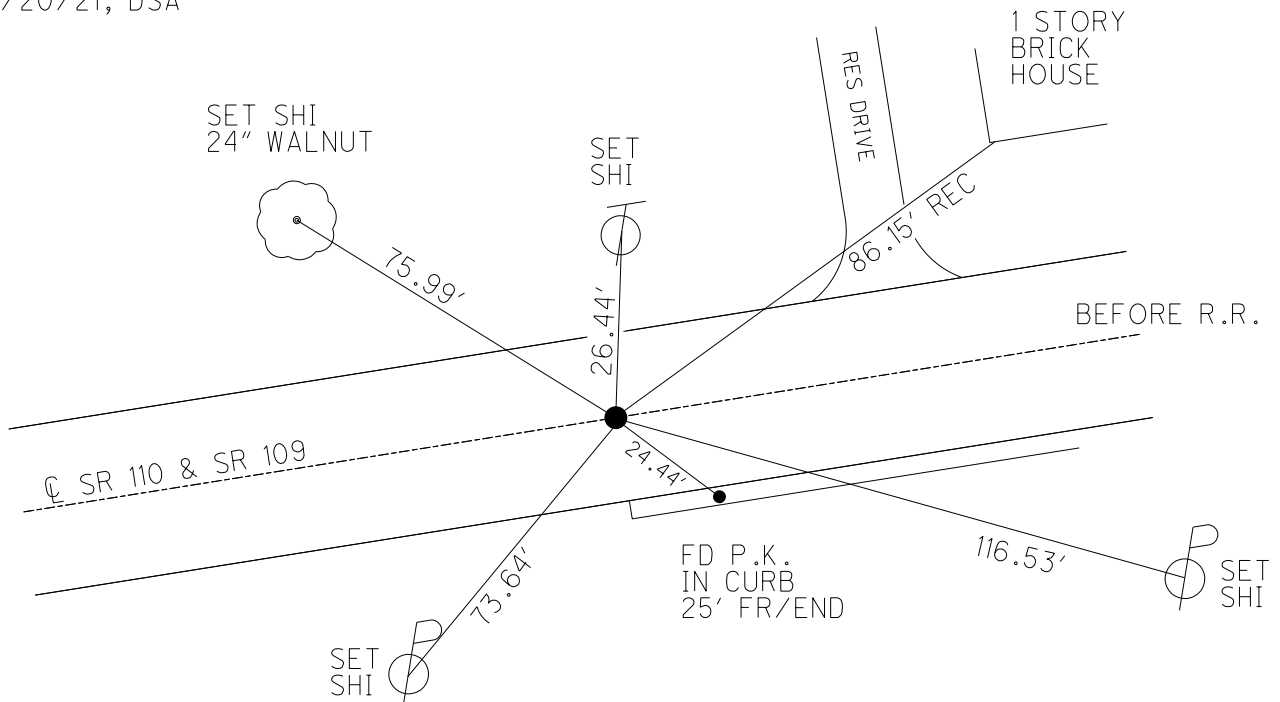
GRID: NORTHING: \_\_\_\_\_

EASTING: \_\_\_\_\_



RECORD: P.O.T.  
 FD P.K.NAIL  
 SET P.K./WASHER  
 10-11-90, MB  
 D.N.F.  
 TIES CROSS  
 8-13-02, DCH  
 D.N.F.  
 12/20/21, DSA

NOTE: REF 12A SR 110



O.D.O.T. DISTRICT 2 SURVEY OFFICE (USE ONLY)

PERSONNEL

REFERENCE NO. 36 B

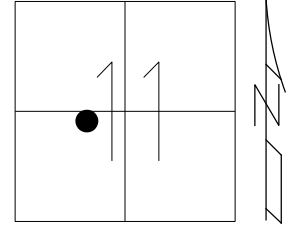
SHEET 28 OF 36

NOTES RHOADES DATE 8/31/15  
 H.C. O'DONNELL WEATHER FAIR  
 R.C. RHOADES TEMP. 76°

ROUTE SR 109  
 COUNTY HENRY  
 TOWNSHIP HARRISON  
 SECTION 11  
 T 5 N R 7 E

DWG BY RHOADES PID CHIP SEAL

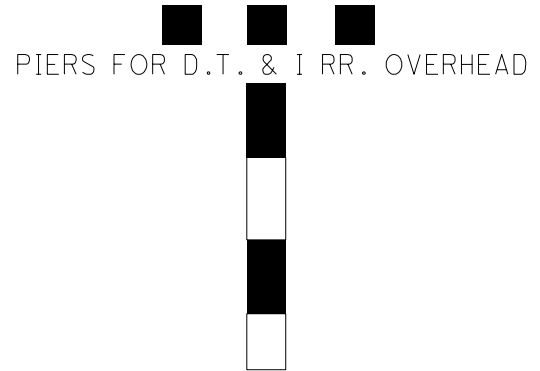
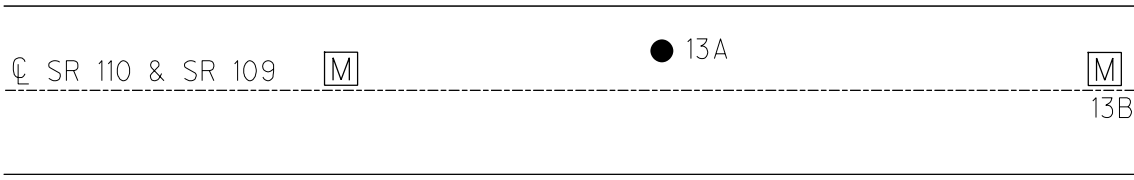
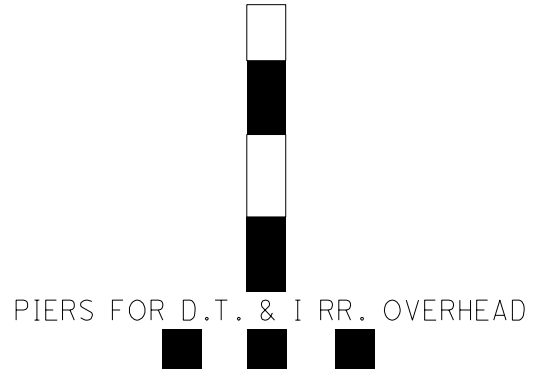
TYPE MONUMENT MONBOX W/ 3/4" IPIN  
 ON SURFACE - ~~BELOW~~ ON \_\_\_\_\_  
 OFFSET  $\odot$  PAVEMENT 2" LT : ~~RT~~  
 - TO - EDGE PAVEMENT  
 STATION: 886+75.86



HORZ.DATUM: NAD83 2011 GEOID: NAVD88 2012A  
 GRID: NORTHING: 637703.706 EASTING: 1547855.530

RECORD: P.C.  
 FD MONBOX  
 W/ 3/4" IPIN  
 REF13  
 8-31-15, JFO

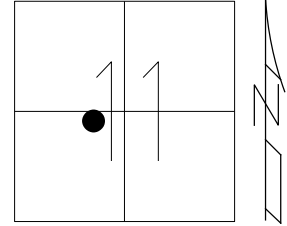
NOTE: REF 13 SR 110



O.D.O.T. DISTRICT 2 SURVEY OFFICE (USE ONLY)

PERSONNEL \_\_\_\_\_ REFERENCE NO. 36 C SHEET 29 OF 36  
 NOTES BARNHISEL DATE 9/28/90 ROUTE SR 109  
 H.C. BARNHISEL WEATHER CLEAR COUNTY HENRY  
 R.C. HOFFMAN TEMP. 65° TOWNSHIP HARRISON  
 SECTION 11  
 DWG BY RHOADES PID CHIP SEAL T 5 N R 7 E

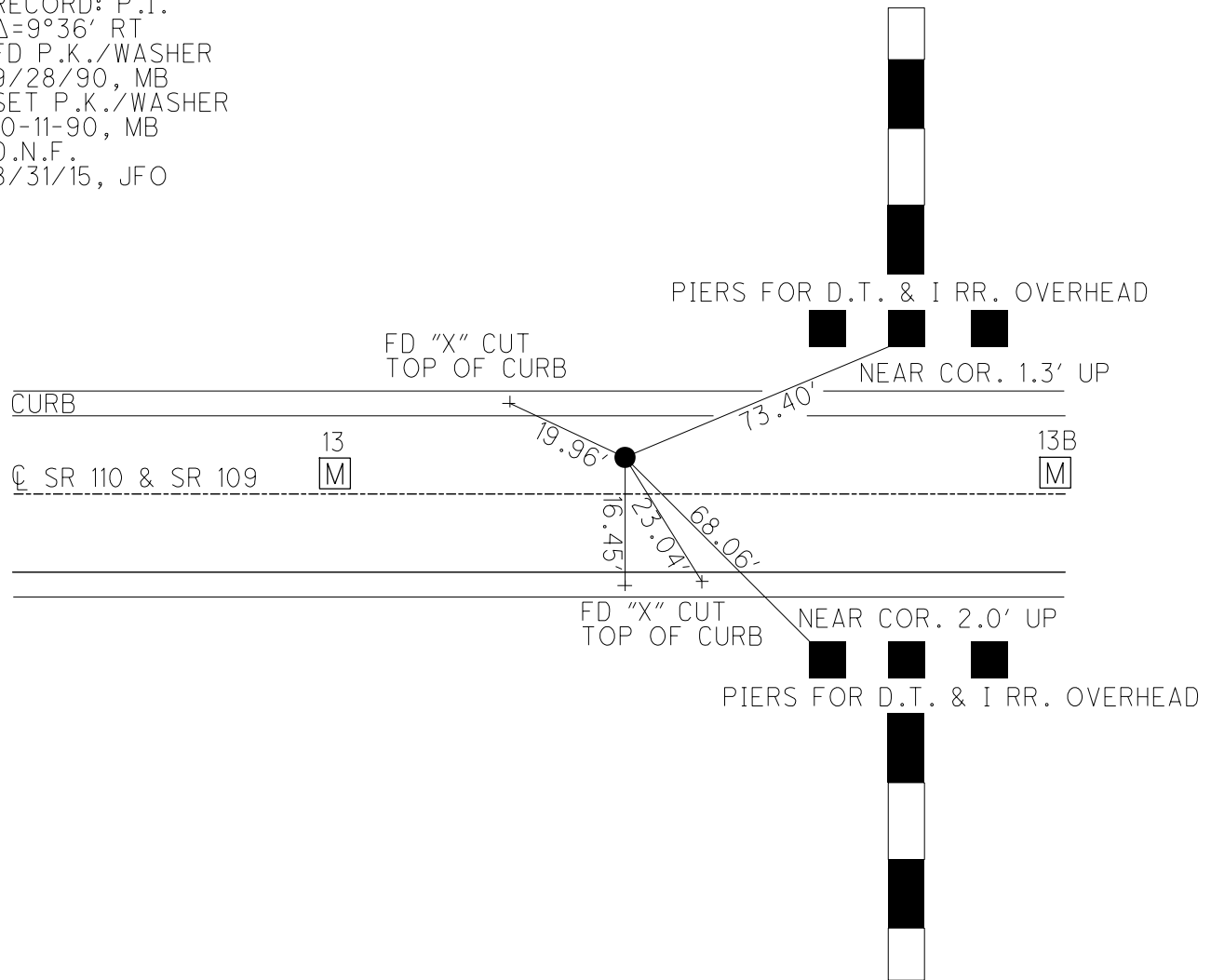
TYPE MONUMENT P.K./WASHER  
 ON SURFACE - ~~BELOW~~ ON \_\_\_\_\_  
 OFFSET Q PAVEMENT 5.9' LT : ~~RT~~  
6.1' TO LT EDGE PAVEMENT  
 STATION: 887+71.94



HORZ. DATUM: \_\_\_\_\_ GEOID: \_\_\_\_\_  
 GRID: NORTHING: \_\_\_\_\_ EASTING: \_\_\_\_\_

RECORD: P.I.  
 $\Delta=9^{\circ}36'$  RT  
 FD P.K./WASHER  
 9/28/90, MB  
 SET P.K./WASHER  
 10-11-90, MB  
 D.N.F.  
 8/31/15, JFO

NOTE: REF 13 A SR 110



O.D.O.T. DISTRICT 2 SURVEY OFFICE (USE ONLY)

PERSONNEL

REFERENCE NO. 36 D

SHEET 30 OF 36

NOTES RHOADES DATE 8/31/15  
H.C. O'DONNELL WEATHER FAIR  
R.C. RHOADES TEMP. 76°

ROUTE SR 109  
COUNTY HENRY  
TOWNSHIP HARRISON  
SECTION 11  
T 5 N R 7 E

DWG BY RHOADES PID CHIP SEAL

TYPE MONUMENT MONBOX W/ 3/4" IPIN

ON SURFACE - ~~BELOW~~ ON

OFFSET  $\varnothing$  PAVEMENT 2' LT : ~~RT~~

- TO - EDGE PAVEMENT

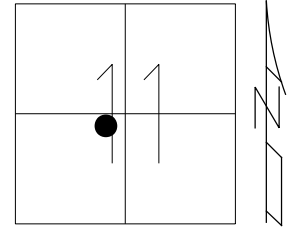
STATION: 888+67.57

HORIZ.DATUM: NAD83 2011

GEOID: NAVD88 2012A

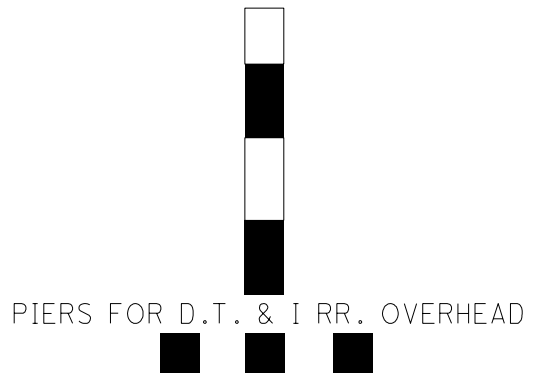
GRID: NORTHING: 637705.242

EASTING: 1548046.959



RECORD: P.T.  
FD MONBOX  
W/ 3/4" IPIN  
REFA13  
8-31-15, JFO

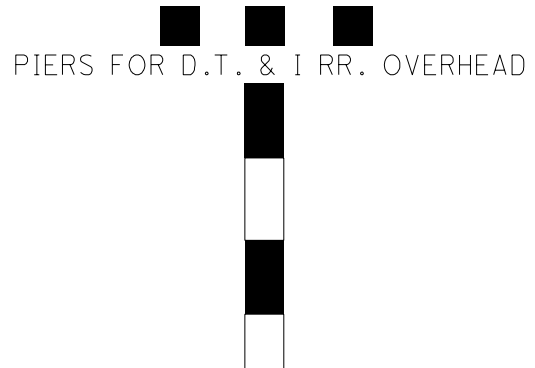
NOTE: REF 13B SR 110



$\varnothing$  SR 110 & SR 109 [M]13

● 13A

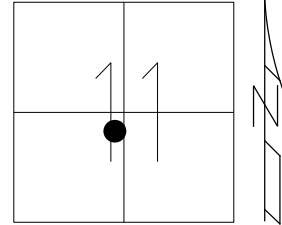
[M]



O.D.O.T. DISTRICT 2 SURVEY OFFICE (USE ONLY)

PERSONNEL \_\_\_\_\_ REFERENCE NO. 36 E SHEET 31 OF 36  
 NOTES ASTON DATE 8/17/23 ROUTE SR 109  
 H.C. NIESE WEATHER WINDY COUNTY HENRY  
 R.C. RHOADES TEMP. 76° TOWNSHIP HARRISON  
AUBLE SECTION 11  
 DWG BY RHOADES PID 94321 T 5 N R 7 E

TYPE MONUMENT MONBOX W/ 3/4" IPIN  
 ON SURFACE - ~~BELOW~~ ON \_\_\_\_\_  
 OFFSET  $\text{\textcircled{C}}$  PAVEMENT 2' LT : ~~RT~~  
 - TO - EDGE PAVEMENT  
 STATION: 899+88

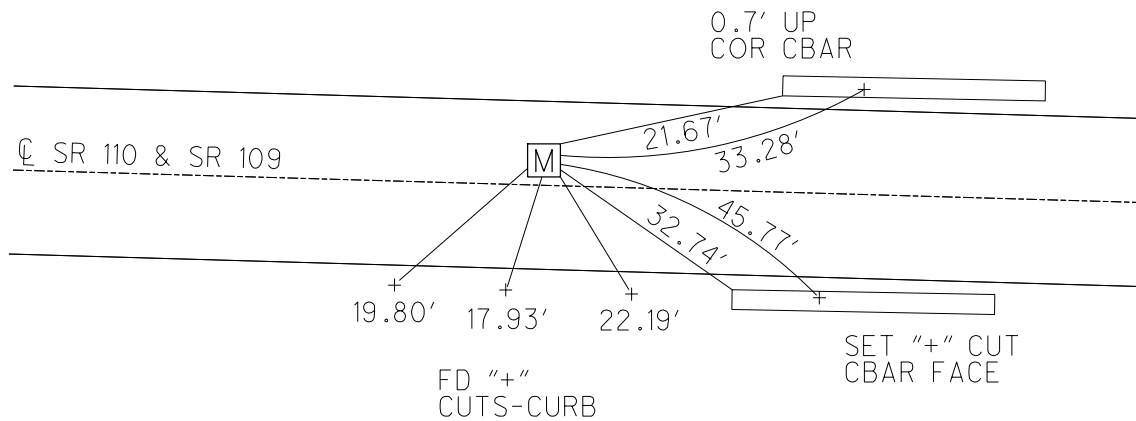


HORZ. DATUM: NAD83 2011 GEOID: NAVD88 2012A  
 GRID: NORTHING: 637621.448 EASTING: 1549145.785

RECORD: P.I.  
 $\Delta = 3^\circ 26' 14''$   
 FD MONBOX  
 W/ 3/4" IPIN  
 REFB13  
 8-31-15, JFO  
 8-3-16, JFO  
 FD MONBOX  
 W/1" IPIN  
 REFB13  
 12/20/21, DSA  
 8/17/23, TDN

NOTE: REF 13C SR 110

NOTE: PLUMB AT BOX

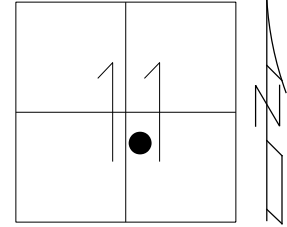




O.D.O.T. DISTRICT 2 SURVEY OFFICE (USE ONLY)

PERSONNEL \_\_\_\_\_ REFERENCE NO. 37 SHEET 32 OF 36  
 NOTES ASTON DATE 5/25/23 ROUTE SR 109  
 H.C. AUBLE WEATHER CLOUDY COUNTY HENRY  
 R.C. MILLER TEMP. 54° TOWNSHIP HARRISON  
 SECTION 11  
 DWG BY RHOADES PID PAVETRAIN T 5 N R 7 E

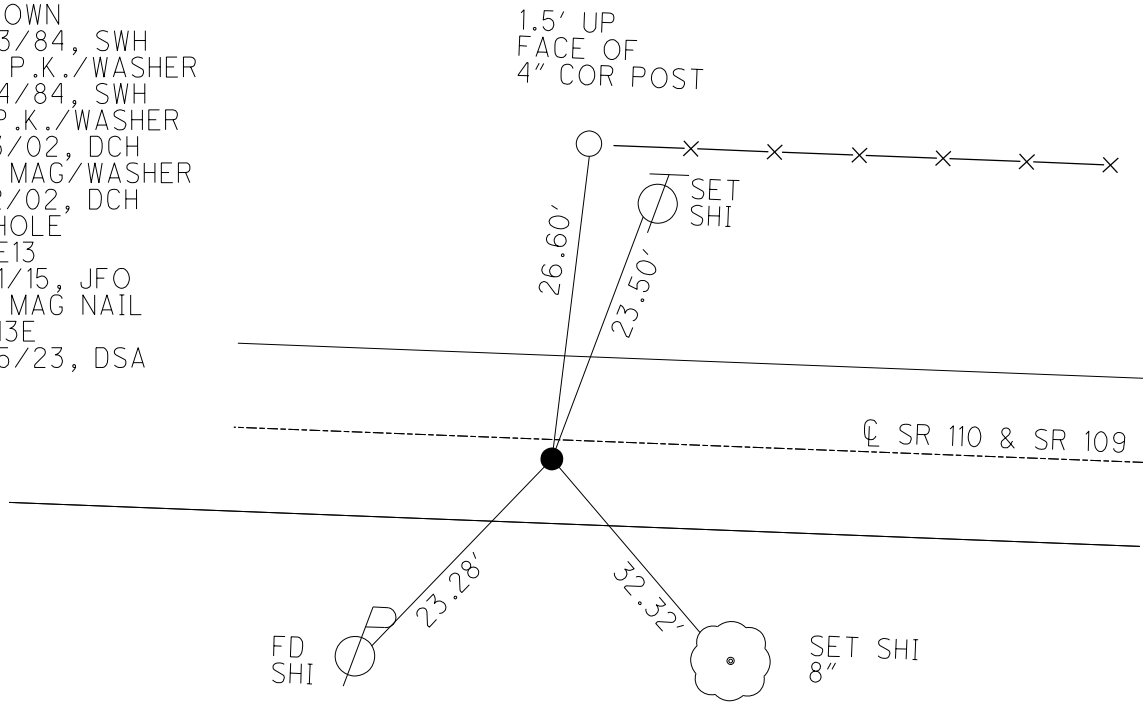
TYPE MONUMENT MAG NAIL  
 ON SURFACE - ~~BELOW~~ ON  
 OFFSET  $\text{C}$  PAVEMENT 1.7'  $\text{RT}$  : RT  
9' TO RT EDGE PAVEMENT  
 STATION: 914+09.80



HORZ. DATUM: NAD83 2011 GEOID: NAVD88 2018  
 GRID: NORTHING: 637429.609 EASTING: 1550572.496

NOTE: REF 13E SR 110

RECORD: P.I.  
 STA. 914+09  
 $\Delta = 5^\circ 45'$  LT  
 FD SM.R.R. SPIKE  
 2" DOWN  
 3/23/84, SWH  
 SET P.K./WASHER  
 8/24/84, SWH  
 FD P.K./WASHER  
 8/13/02, DCH  
 SET MAG/WASHER  
 12/2/02, DCH  
 FD HOLE  
 REF13  
 8/31/15, JFO  
 SET MAG NAIL  
 REF13E  
 5/25/23, DSA



O.D.O.T. DISTRICT 2 SURVEY OFFICE (USE ONLY)

PERSONNEL \_\_\_\_\_ REFERENCE NO. 38 SHEET 33 OF 36

NOTES ASTON DATE 5/25/23 ROUTE SR 109

H.C. AUBLE WEATHER CLOUDY COUNTY HENRY

R.C. MILLER TEMP. 55° TOWNSHIP HARRISON

SECTION 11

DWG BY RHOADES PID PAVTRAIN T 5 N R 7 E

TYPE MONUMENT MAG/WASHER

ON SURFACE - ~~BELOW~~ ON

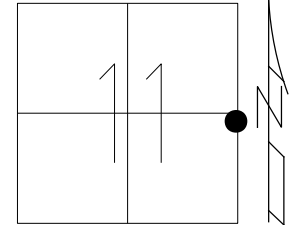
OFFSET 4.9' LT : ~~RT~~

4.8' TO LT EDGE PAVEMENT

STATION: 927+22

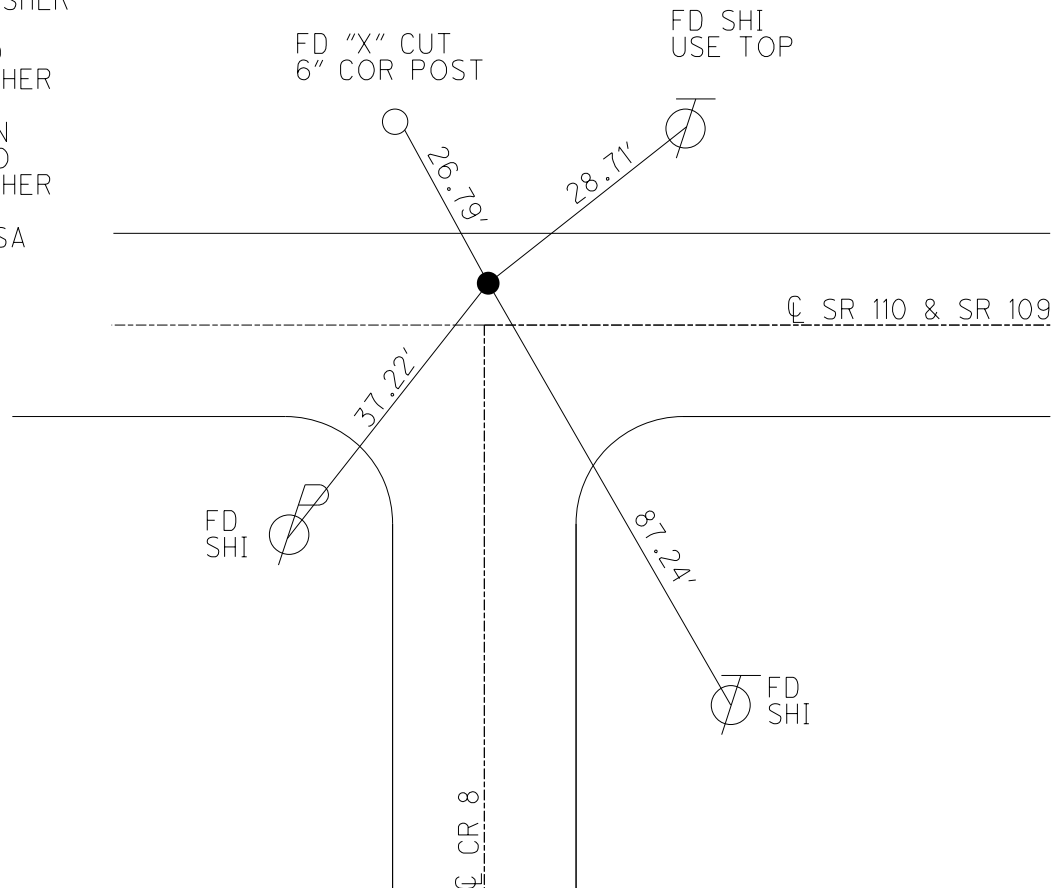
HORZ.DATUM: NAD83 2011 GEOID: NAVD88 2018

GRID: NORTHING: 637385.432 EASTING: 1551901.663



RECORD: P.I.  
 $\Delta = 0^\circ 50' 26''$  RT  
 SET P.K./WASHER  
 10-11-90, MB  
 SET MAG/WASHER  
 12-2-02, DCH  
 SET MAG/WASHER  
 REF14  
 8-31-15, JFO  
 FD MAG/WASHER  
 REF38  
 6/17/21, TDN  
 10/5/21, JFO  
 FD MAG/WASHER  
 REF14  
 12/20/21, DSA

NOTE: REF 14 SR 110



O.D.O.T. DISTRICT 2 SURVEY OFFICE (USE ONLY)

PERSONNEL

REFERENCE NO. 38 A

SHEET 34 OF 36

NOTES ASTON

DATE 5/25/23

ROUTE SR 109

H.C. AUBLE

WEATHER CLOUDY

COUNTY HENRY

R.C. MILLER

TEMP. 55°

TOWNSHIP HARRISON

SECTION 12

DWG BY RHOADES

PID PAVTRAIN

T 5 N R 7 E

TYPE MONUMENT MAG/WASHER

ON SURFACE - ~~BELOW~~ ON

OFFSET  $\odot$  PAVEMENT 5.9' LT : ~~RT~~

4' TO LT EDGE PAVEMENT

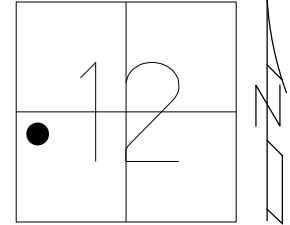
STATION: 938+41

HORZ. DATUM: NAD83 2011

GEOID: NAVD88 2018

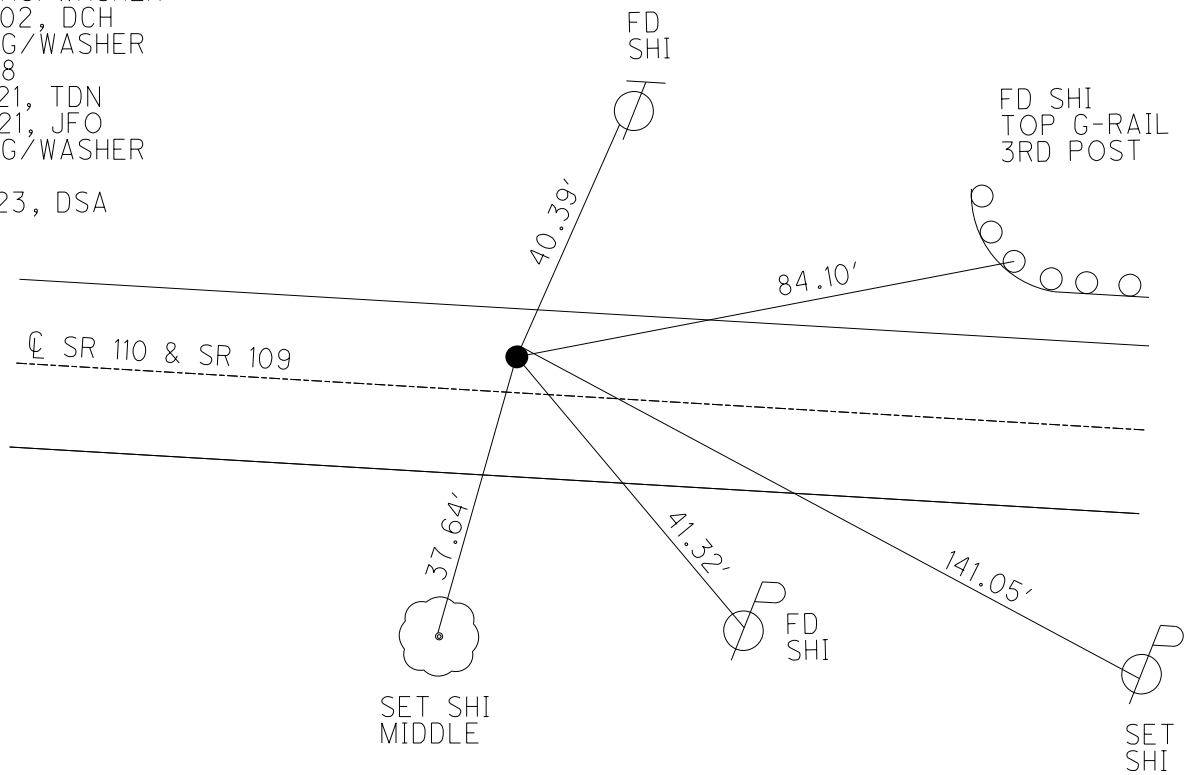
GRID: NORTHING: 637242.092

EASTING: 1553012.281



RECORD: P.I.  
 $\Delta = 5^{\circ} 11' 00''$  RT  
 FD P.K./WASHER  
 8/13/02  
 SET MAG/WASHER  
 9-20-02, DCH  
 FD MAG/WASHER  
 REFA38  
 6/17/21, TDN  
 10/5/21, JFO  
 FD MAG/WASHER  
 REF14  
 1220/23, DSA

NOTE: REF 14AB SR 110



O.D.O.T. DISTRICT 2 SURVEY OFFICE (USE ONLY)

PERSONNEL

REFERENCE NO. 38 B

SHEET 35 OF 36

NOTES ASTON

DATE 5/25/23

ROUTE SR 109

H.C. AUBLE

WEATHER CLOUDY

COUNTY HENRY

R.C. MILLER

TEMP. 55°

TOWNSHIP HARRISON

SECTION 12

DWG BY RHOADES

PID PAVTRAIN

T 5 N R 7 E

TYPE MONUMENT MAG SHANK

~~ON SURFACE~~ - BELOW 1 1/2"

OFFSET  $\odot$  PAVEMENT 0.9' LT : ~~RT~~

8.0' TO LT EDGE PAVEMENT

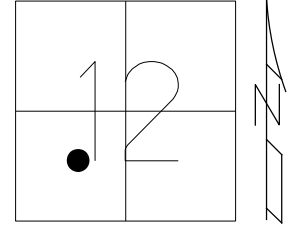
STATION: 944+81

HORIZ.DATUM: NAD83 2011

GEOID: NAVD88 2018

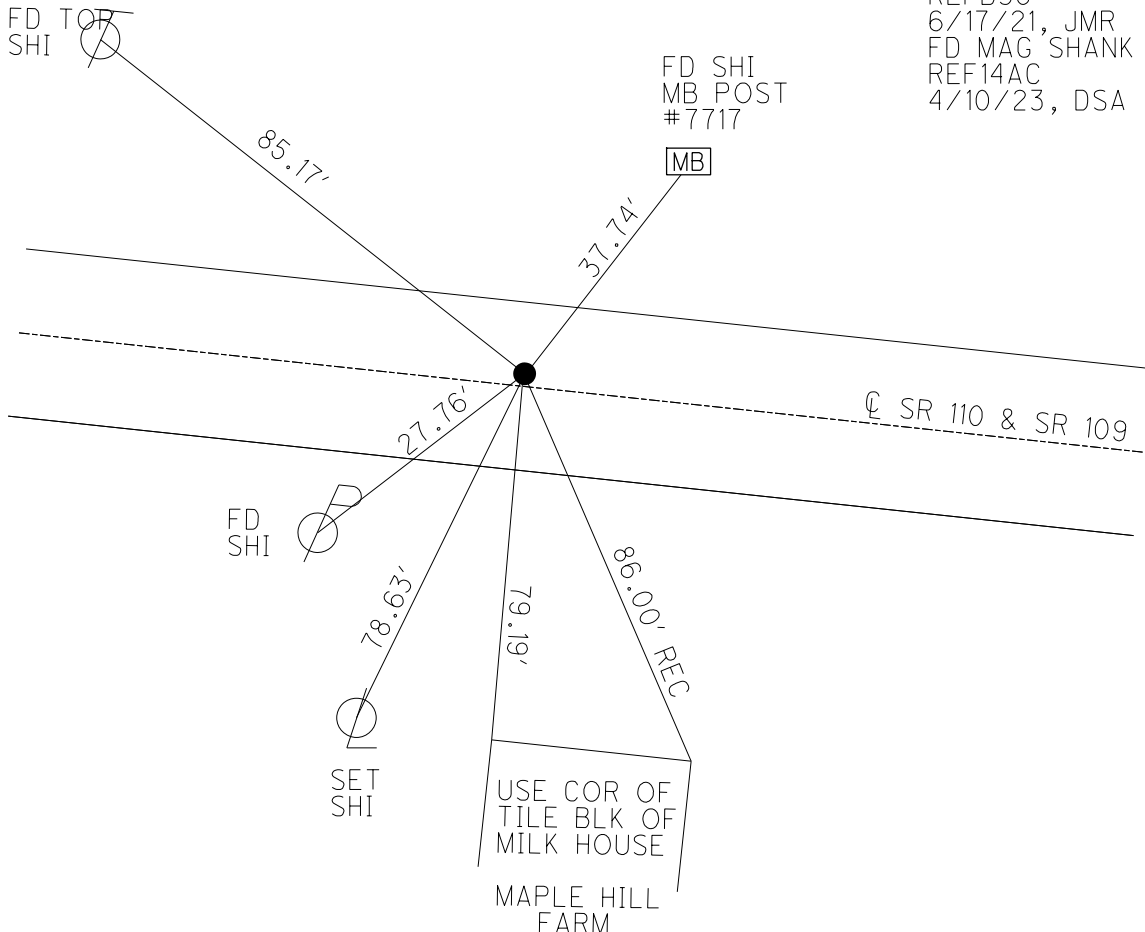
GRID: NORTHING: 637102.896

EASTING: 1553638.160



NOTE: REF 14 AC SR 110

RECORD: P.O.T.  
 FD P.K./WASHER  
 8/13/02, DCH  
 SET MAG/WASHER  
 11-29-02, DCH  
 SHOT HOLE  
 REFB38  
 6/17/21, JMR  
 FD MAG SHANK  
 REF14AC  
 4/10/23, DSA



O.D.O.T. DISTRICT 2 SURVEY OFFICE (USE ONLY)

PERSONNEL \_\_\_\_\_ REFERENCE NO. 38 C SHEET 36 OF 36

NOTES ASTON DATE 5/25/23 ROUTE SR 109

H.C. AUBLE WEATHER WINDY COUNTY HENRY

R.C. MILLER TEMP. 56° TOWNSHIP HARRISON

SECTION 12

DWG BY RHOADES PID PAVTRAIN T 5 N R 7 E

TYPE MONUMENT MAG/WASHER

ON SURFACE - ~~BELOW~~ ON

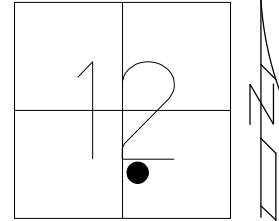
OFFSET  $\odot$  PAVEMENT ON \_\_\_\_\_ LT : RT

8.6' TO RT EDGE PAVEMENT

STATION: 952+25

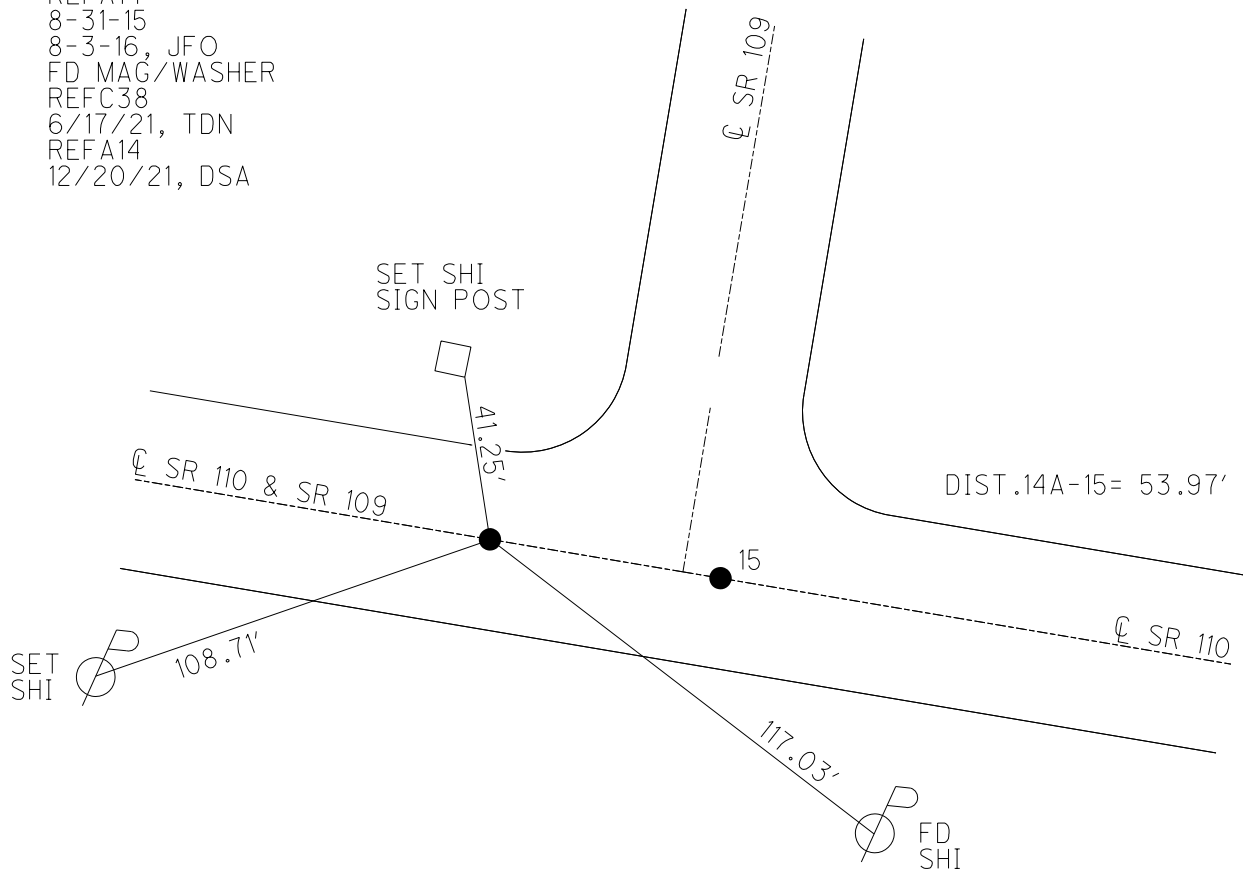
HORZ.DATUM: NAD83 2011 GEOID: NAVD88 2018

GRID: NORTHING: 636940.720 EASTING: 1554366.550



RECORD: P.I.  
 $\Delta = 0^{\circ} 08' RT$   
 STA. 359+87.00  
 SET P.K./WASHER  
 10-11-90, MB  
 FD P.K./WASHER  
 REFA14  
 8-31-15  
 8-3-16, JFO  
 FD MAG/WASHER  
 REFC38  
 6/17/21, TDN  
 REFA14  
 12/20/21, DSA

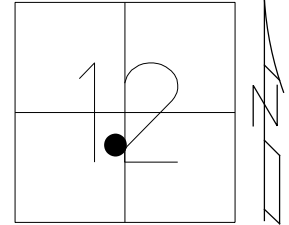
NOTE: REF 14A SR 110



O.D.O.T. DISTRICT 2 SURVEY OFFICE (USE ONLY)

PERSONNEL \_\_\_\_\_ REFERENCE NO. 39 SHEET 1 OF 11  
 NOTES ASTON DATE 5/25/23 ROUTE SR 109  
 H.C. AUBLE WEATHER WINDY COUNTY HENRY  
 R.C. MILLER TEMP. 56° TOWNSHIP HARRISON  
 \_\_\_\_\_ SECTION 12  
 DWG BY RHOADES PID PAVETRAIN T 5 N R 7 E

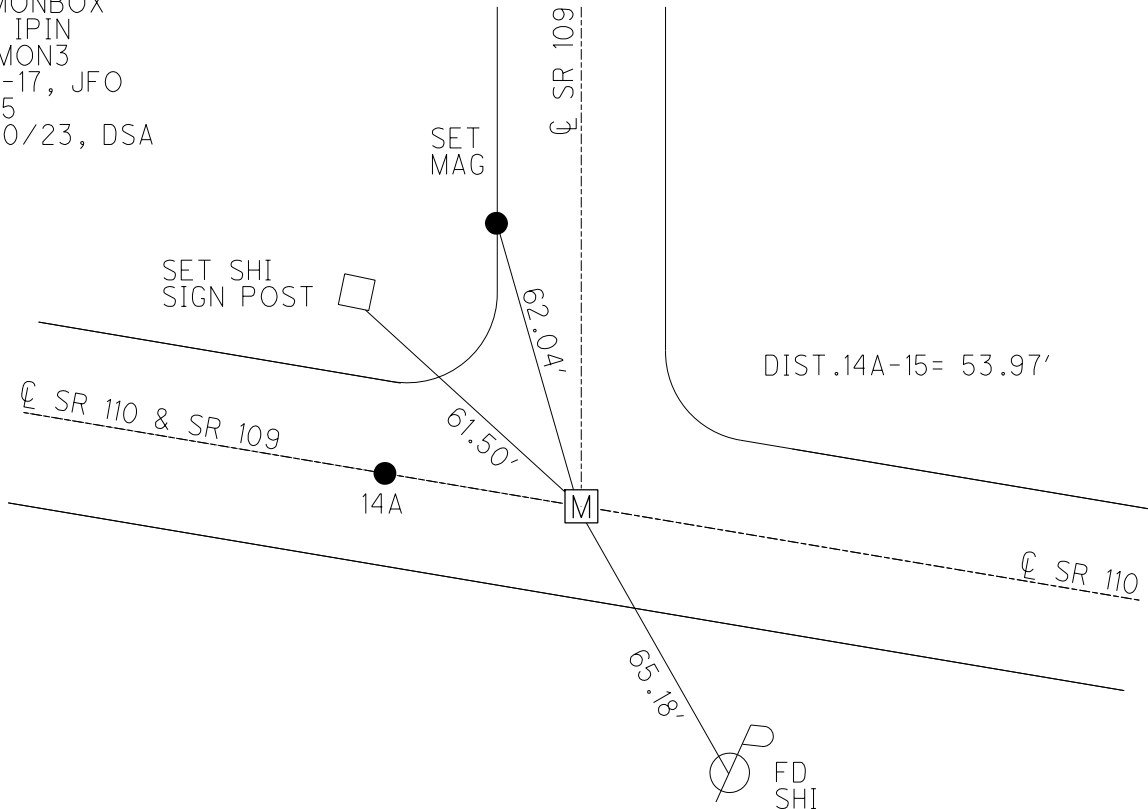
TYPE MONUMENT MONBOX W/1" IPIN  
 ON SURFACE - ~~BELOW~~ ON  
 OFFSET  $\odot$  PAVEMENT ON LT : RT  
8.4' TO RT EDGE PAVEMENT  
 STATION: 954+22.16



HORZ.DATUM: NAD83 2011 GEOID: NAVD88 2012A  
 GRID: NORTHING: 636928.960 EASTING: 1554419.216

RECORD:  
 SET PK/WASHER  
 10-11-90, MB  
 FD PK/WASHER  
 REF15  
 8-31-15  
 8-3-16, JFO  
 FD MONBOX  
 W/1" IPIN  
 NEWMON3  
 11-17-17, JFO  
 REF15  
 12/20/23, DSA

NOTE: REF 15 SR 110



O.D.O.T. DISTRICT 2 SURVEY OFFICE (USE ONLY)

PERSONNEL

REFERENCE NO. 39 BR1

SHEET 2 OF 8

NOTES RHOADES

DATE 11/17/17

ROUTE SR 109

H.C. O'DONNELL

WEATHER ---

COUNTY HENRY

R.C. RHOADES

TEMP. ---

TOWNSHIP HARRISON

DWG BY MILLER

PID 90991

SECTION 12

T 5 N R 7 E

TYPE MONUMENT MONBOX W/1" IPIN

ON SURFACE ~~BELOW~~ ON

OFFSET  $\varnothing$  PAVEMENT ON LT : RT

- TO - EDGE PAVEMENT

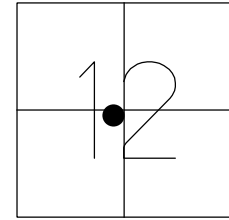
STATION: 956+59.66

HORIZ.DATUM: NAD83 2011

GEOID: NAVD88 2012A

GRID: NORTHING: 637164.162

EASTING: 1554456.522



RECORD:  
FD MONBOX SET  
NEWMON3  
11-17-17, JFO

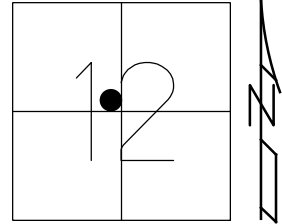
$\varnothing$  SR 109

M

O.D.O.T. DISTRICT 2 SURVEY OFFICE (USE ONLY)

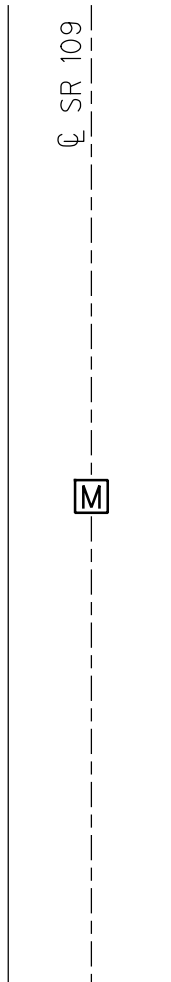
PERSONNEL \_\_\_\_\_ REFERENCE NO. 39 BR2 SHEET 3 OF 8  
NOTES RHOADES DATE 11/17/17 ROUTE SR 109  
H.C. O'DONNELL WEATHER --- COUNTY HENRY  
R.C. RHOADES TEMP. --- TOWNSHIP HARRISON  
SECTION 12  
DWG BY MILLER PID 90991 T 5 N R 7 E

TYPE MONUMENT MONBOX W/1" IPIN  
ON SURFACE - ~~BELOW~~ ON  
OFFSET Q PAVEMENT ON LT : RT  
- TO - EDGE PAVEMENT  
STATION: 959+07.74



HORZ.DATUM: NAD83 2011 GEOID: NAVD88 2012A  
GRID: NORTHING: 637411.051 EASTING: 1554479.342

RECORD:  
FD MONBOX SET  
NEWMON5  
11-17-17, JFO





O.D.O.T. DISTRICT 2 SURVEY OFFICE (USE ONLY)

PERSONNEL \_\_\_\_\_

REFERENCE NO. 39 BR3

SHEET 4 OF 8

NOTES ---

DATE ---

ROUTE SR 109

H.C. ---

WEATHER ---

COUNTY HENRY

R.C. ---

TEMP. ---

TOWNSHIP HARRISON

SECTION 12

DWG BY MILLER

PID 90991

T 5 N R 7 E

TYPE MONUMENT DRILLHOLE

ON SURFACE - ~~BELOW~~ ON

OFFSET  $\varnothing$  PAVEMENT ON LT : RT

- TO - EDGE PAVEMENT

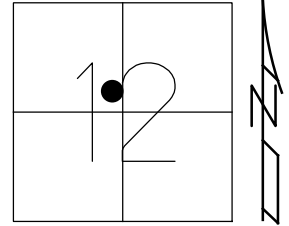
STATION: 974+74.63

HORIZ.DATUM: NAD83 2011

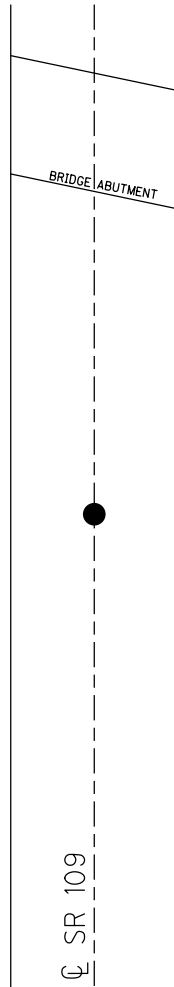
GEOID: NAVD88 2012A

GRID: NORTHING: 639021.587

EASTING: 1554629.823



RECORD:  
DRILLH SET  
DURING CONSTRUCTION  
USING GROUND COORDS.  
D.N.F. DRILLH  
6/17/19, JFO



O.D.O.T. DISTRICT 2 SURVEY OFFICE (USE ONLY)

PERSONNEL

REFERENCE NO. 39 BR4

SHEET 5 OF 8

NOTES RHOADES

DATE 12/12/17

ROUTE SR 109

H.C. O'DONNELL

WEATHER SNOW

COUNTY HENRY

R.C. RHOADES

TEMP. 22°

TOWNSHIP HARRISON

SECTION 12

DWG BY MILLER PID 90991

T 5 N R 7 E

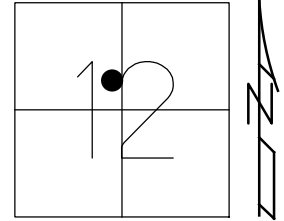
TYPE MONUMENT MONBOX W/1" IPIN

ON SURFACE - ~~BELOW~~ ON

OFFSET 0 PAVEMENT ON LT : RT

- TO - EDGE PAVEMENT

STATION: 976+81.70



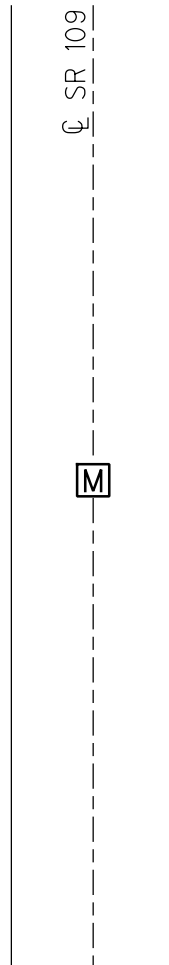
HORIZ.DATUM: NAD83 2011

GEOID: NAVD88 2012A

GRID: NORTHING: 639184.111

EASTING: 1554518.264

RECORD:  
FD MONBOX SET  
NEWMON6  
12-12-17, JFO



O.D.O.T. DISTRICT 2 SURVEY OFFICE (USE ONLY)

PERSONNEL

REFERENCE NO. 39 BR5

SHEET 6 OF 8

NOTES RHOADES DATE 12/12/17  
H.C. O'DONNELL WEATHER SNOW  
R.C. RHOADES TEMP. 22°

ROUTE SR 109  
COUNTY HENRY  
TOWNSHIP HARRISON  
SECTION 12

DWG BY MILLER PID 90991

T 5 N R 7 E

TYPE MONUMENT MONBOX W/1" IPIN

ON SURFACE - ~~BELOW~~ ON

OFFSET ☉ PAVEMENT ON LT : RT

- TO - EDGE PAVEMENT

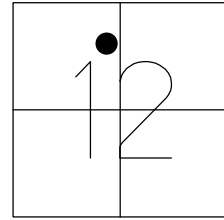
STATION: 978+19.14

HORIZ.DATUM: NAD83 2011

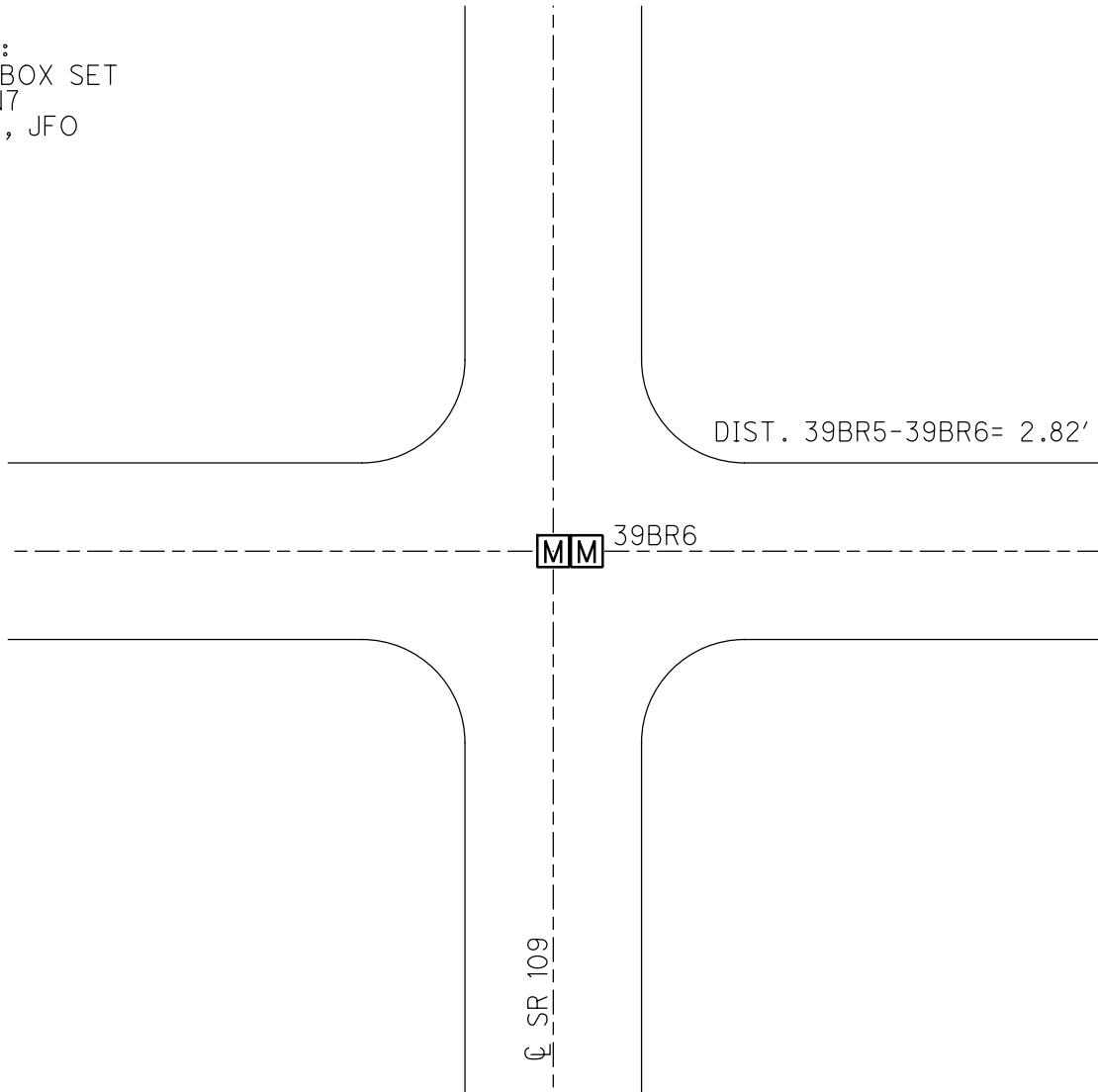
GEOID: NAVD88 2012A

GRID: NORTHING: 639320.688

EASTING: 1554512.365



RECORD:  
FD MONBOX SET  
NEWMONT  
12-12-17, JFO



O.D.O.T. DISTRICT 2 SURVEY OFFICE (USE ONLY)

PERSONNEL

REFERENCE NO. 39 BR6

SHEET 7 OF 8

NOTES RHOADES

DATE 11/17/17

ROUTE SR 109

H.C. O'DONNELL

WEATHER ---

COUNTY HENRY

R.C. RHOADES

TEMP. ---

TOWNSHIP HARRISON

SECTION 12

DWG BY MILLER PID 90991

T 5 N R 7 E

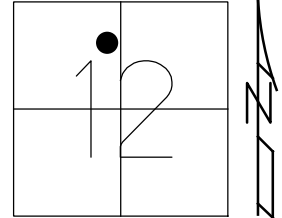
TYPE MONUMENT MONBOX W/1" IPIN

ON SURFACE - ~~BELOW~~ ON

OFFSET  $\text{C}$  PAVEMENT 2.8' ~~LT~~ : RT

- TO - EDGE PAVEMENT

STATION: 978+19.14



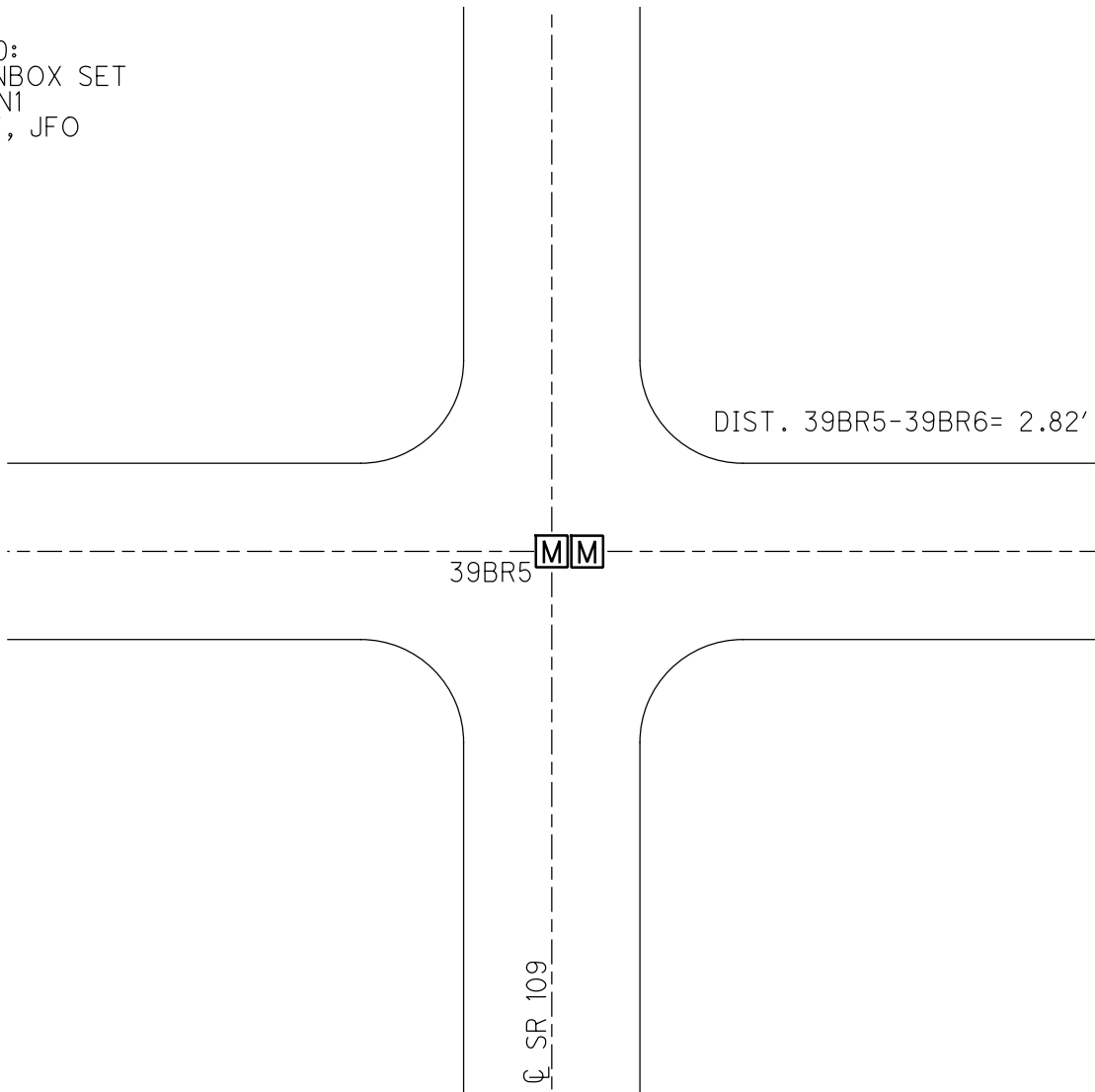
HORZ.DATUM: NAD83 2011

GEOID: NAVD88 2012A

GRID: NORTHING: 639320.688

EASTING: 1554512.365

RECORD:  
FD MONBOX SET  
NEWMON1  
11-17-17, JFO



O.D.O.T. DISTRICT 2 SURVEY OFFICE (USE ONLY)

PERSONNEL \_\_\_\_\_ REFERENCE NO. 39 A SHEET 8 OF 11  
 NOTES NIESE DATE 3/16/23 ROUTE SR 109  
 H.C. NIESE WEATHER CLEAR COUNTY HENRY  
 R.C. MILLER TEMP. 47° TOWNSHIP HARRISON  
 DWG BY RHOADES PID CHIP SEAL SECTION 12  
 T 5 N R 7 E

TYPE MONUMENT MAG/WASHER

ON SURFACE - ~~BELOW~~ ON \_\_\_\_\_

OFFSET  $\varnothing$  PAVEMENT 6' LT : ~~RT~~

6.5' TO LT EDGE PAVEMENT

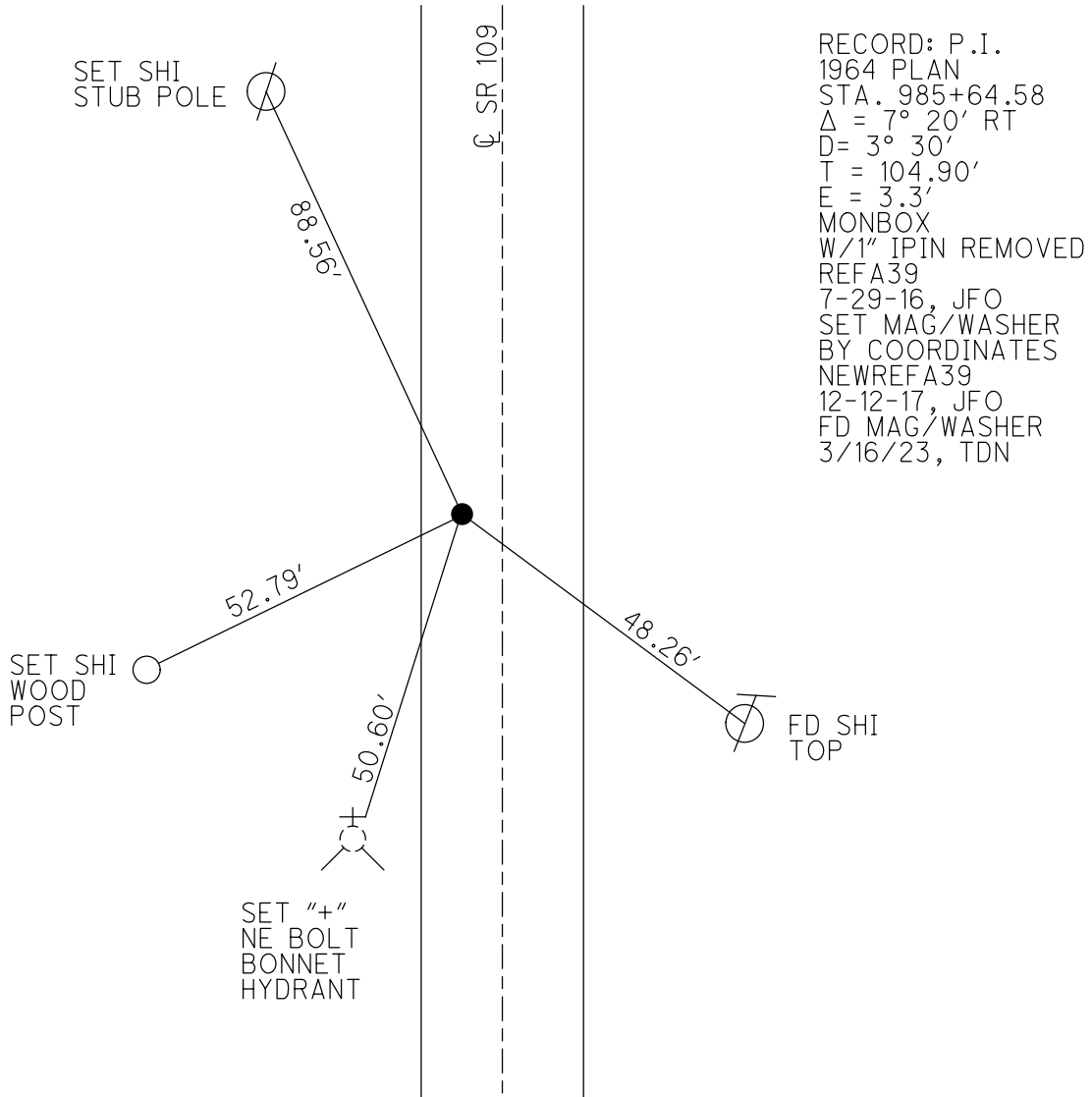
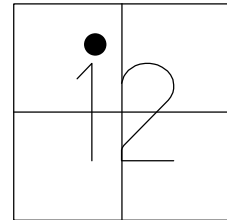
STATION: 985+64.59

HORZ.DATUM: NAD83 2011

GEOID: NAVD88 2012A

GRID: NORTHING: 639594.934

EASTING: 1554490.938



O.D.O.T. DISTRICT 2 SURVEY OFFICE (USE ONLY)

PERSONNEL	REFERENCE NO. <u>39 B</u>	SHEET <u>9</u> OF <u>11</u>
NOTES <u>NIESE</u>	DATE <u>3/5/21</u>	ROUTE <u>SR 109</u>
H.C. <u>RHOADES</u>	WEATHER <u>SUNNY</u>	COUNTY <u>HENRY</u>
R.C. _____	TEMP. <u>30°</u>	TOWNSHIP <u>LIBERTY</u>
DWG BY <u>NIESE</u>	PID <u>PAVETRAIN</u>	SECTION <u>1</u>
		<u>T 5 N R 7 E</u>

TYPE MONUMENT MONBOX W/ 1" IPIN

ON SURFACE - ~~BELOW~~ ON

OFFSET  $\text{C}$  PAVEMENT 7.8' LT : ~~RT~~  
4.0' TO LT EDGE PAVEMENT

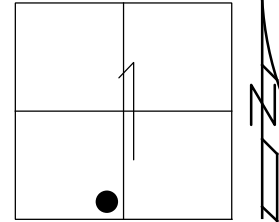
STATION: 995+76

HORIZ.DATUM: NAD83 2011

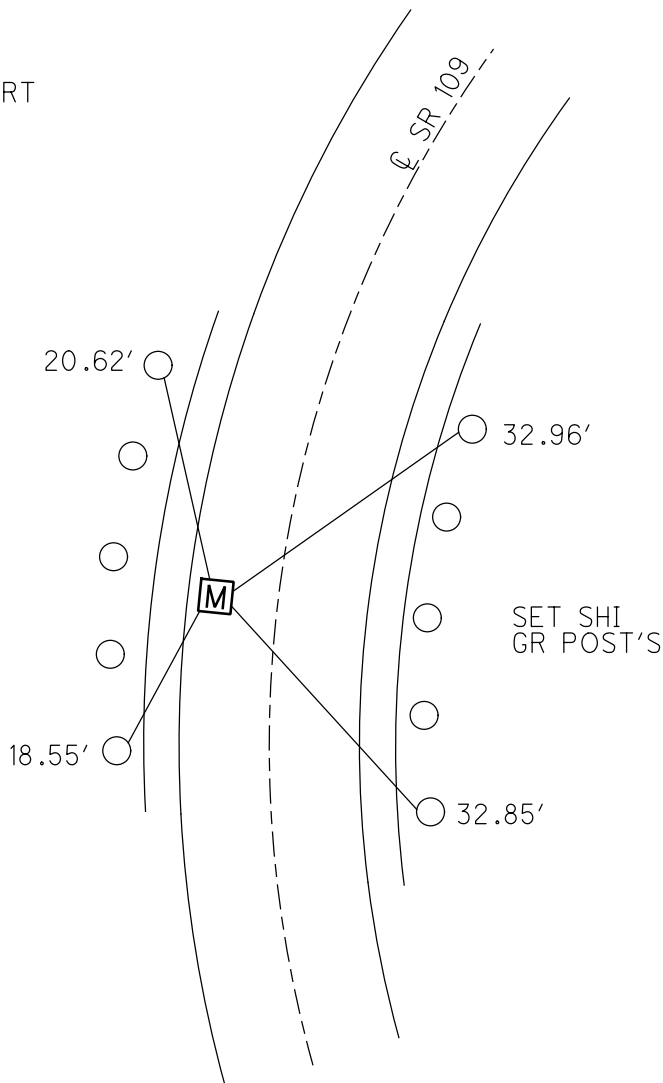
GEOID: NAVD88 2012A

GRID: NORTHING: 640636.681

EASTING: 1554543.085



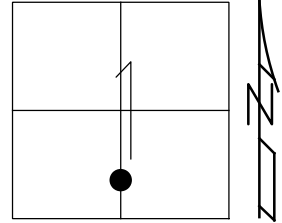
RECORD: P.I.  
 1964 PLAN  
 $\Delta = 7^\circ 15' 30''$  RT  
 $D = 1^\circ 28'$   
 $T = 247.78'$   
 $E = 7.81'$   
 FD MONBOX  
 7/19/02, DCH  
 FD MONBOX  
 W/ 1" IPIN  
 REFB39  
 8/6/20, DSA  
 3/5/21, JMR  
 3/16/23, TDN



O.D.O.T. DISTRICT 2 SURVEY OFFICE (USE ONLY)

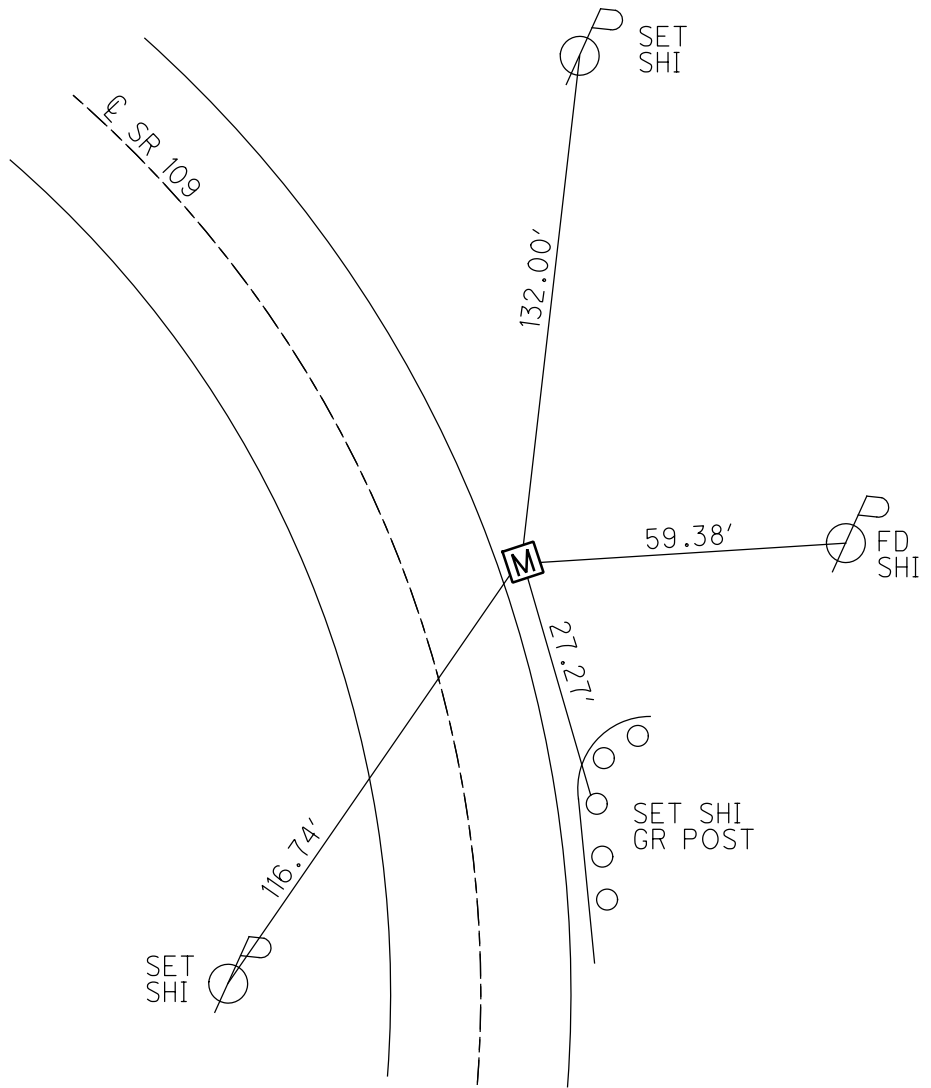
PERSONNEL	REFERENCE NO. <u>40</u>	SHEET <u>10</u> OF <u>11</u>
NOTES <u>NIESE</u>	DATE <u>3/5/21</u>	ROUTE <u>SR 109</u>
H.C. <u>RHOADES</u>	WEATHER <u>SUNNY</u>	COUNTY <u>HENRY</u>
R.C. _____	TEMP. <u>30°</u>	TOWNSHIP <u>LIBERTY</u>
DWG BY <u>NIESE</u>	PID <u>PAVETRAIN</u>	SECTION <u>1</u>
		T <u>5</u> N R <u>7</u> E

TYPE MONUMENT MONBOX W/ 1" IPIN  
 ON SURFACE - ~~BELOW~~ ON  
 OFFSET  $\odot$  PAVEMENT 12' ~~LT~~ : RT  
ON TO RT EDGE PAVEMENT  
 STATION: 1002+67



HORZ. DATUM: NAD83 2011      GEOID: NAVD88 2012A  
 GRID: NORTHING: 641320.318      EASTING: 1554665.040

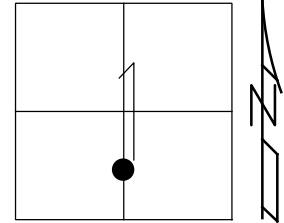
RECORD: P.I.  
 1964 PLAN  
 $\Delta = 8^\circ 52' 30''$  LT  
 $D = 1^\circ 28'$   
 $T = 303.16'$   
 $E = 11.72'$   
 FD MONBOX  
 7/19/02, DCH  
 FD MONBOX  
 W/ 1" IPIN  
 REF40  
 8/6/20, DSA  
 3/5/21, JMR  
 3/16/23, TDN



O.D.O.T. DISTRICT 2 SURVEY OFFICE (USE ONLY)

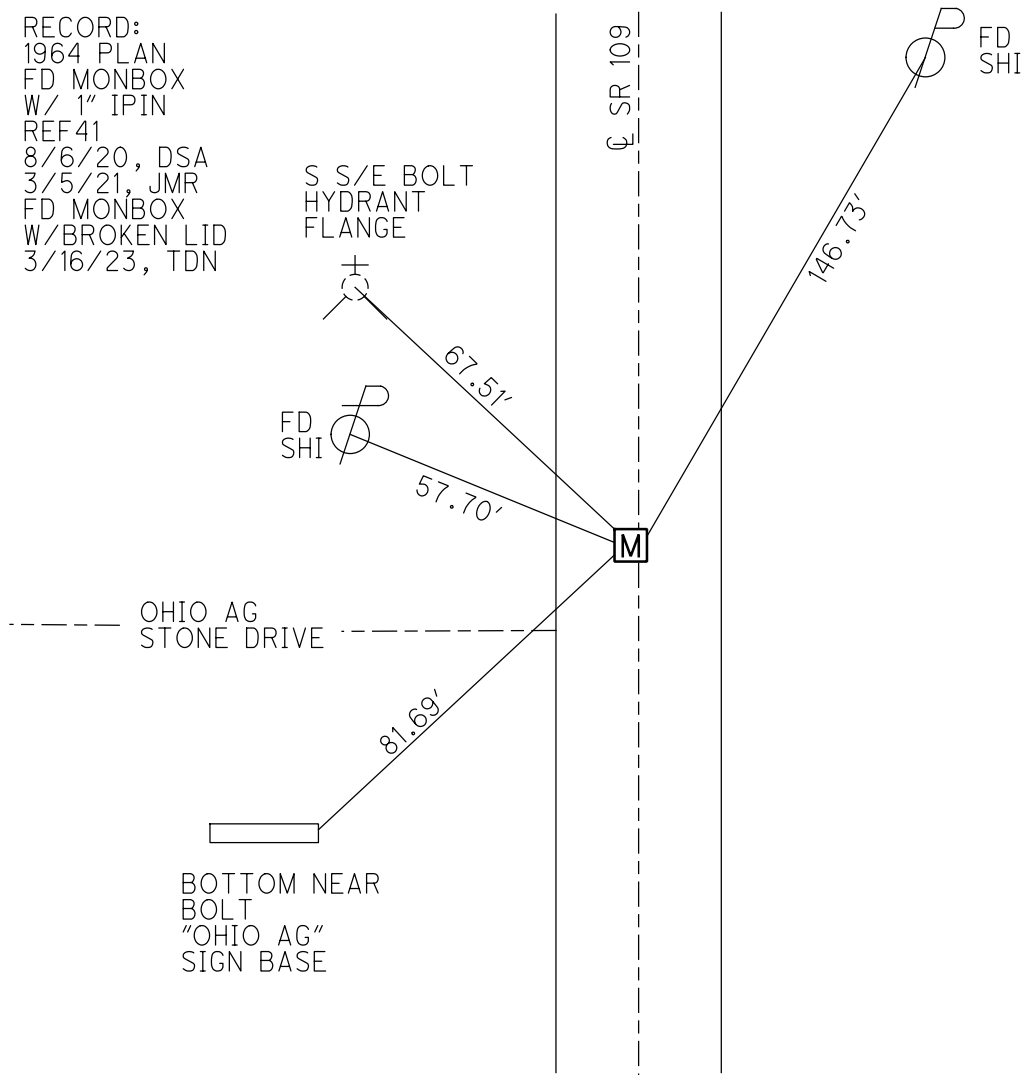
PERSONNEL \_\_\_\_\_ REFERENCE NO. 41 SHEET 11 OF 11  
 NOTES NIESE DATE 3/5/21 ROUTE SR 109  
 H.C. RHOADES WEATHER SUNNY COUNTY HENRY  
 R.C. \_\_\_\_\_ TEMP. 30° TOWNSHIP LIBERTY  
 \_\_\_\_\_ SECTION 1  
 DWG BY NIESE PID PAVETRAIN T 5 N R 7 E

TYPE MONUMENT MONBOX W/ 1" IPIN  
 ON SURFACE - ~~BELOW~~ ON  
 OFFSET  $\bar{C}$  PAVEMENT 0.5' LT : ~~RT~~  
10' TO LT EDGE PAVEMENT  
 STATION: 1005+35



HORIZ.DATUM: NAD83 2011 GEOID: NAVD88 2012A  
 GRID: NORTHING: 641590.113 EASTING: 1554668.691

RECORD:  
 1964 PLAN  
 FD MONBOX  
 W/ 1" IPIN  
 REF41  
 8/6/20, DSA  
 3/5/21, JMR  
 FD MONBOX  
 W/BROKEN LID  
 3/16/23, TDN

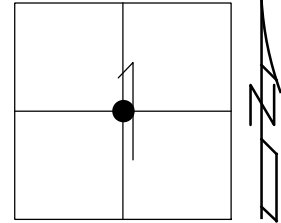




O.D.O.T. DISTRICT 2 SURVEY OFFICE (USE ONLY)

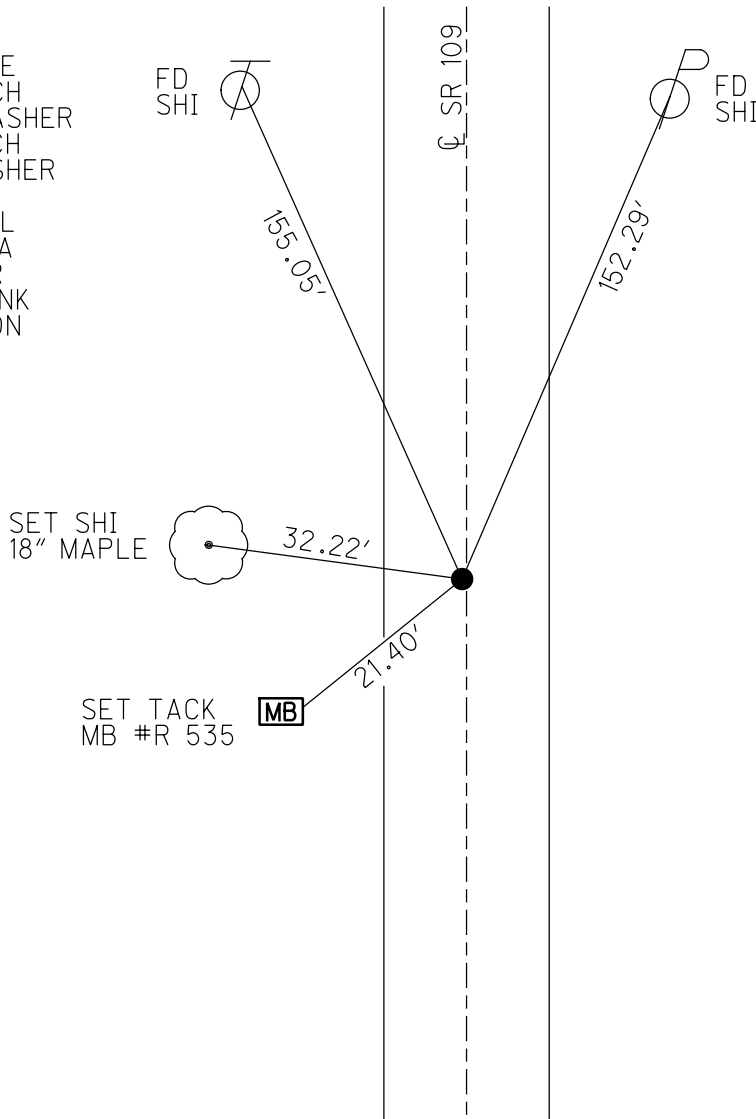
PERSONNEL \_\_\_\_\_ REFERENCE NO. 42 SHEET 1 OF 31  
 NOTES NIESE DATE 3/16/23 ROUTE SR 109  
 H.C. NIESE WEATHER CLEAR COUNTY HENRY  
 R.C. MILLER TEMP. 47° TOWNSHIP LIBERTY  
 DWG BY RHOADES PID CHIP SEAL SECTION 1  
 T 5 N R 7 E

TYPE MONUMENT MAG SHANK  
~~ON SURFACE~~ - BELOW 1"  
 OFFSET Q PAVEMENT 1.0' LT : ~~RT~~  
8.0' TO LT EDGE PAVEMENT  
 STATION: 1018+58



HORZ.DATUM: NAD83 2011 GEOID: NAVD88 2012A  
 GRID: NORTHING: 642916.637 EASTING: 1554697.446

RECORD:  
 FD R.R.SPIKE  
 7/19/02, DCH  
 SET MAG/WASHER  
 12/2/02, DCH  
 FD MAG/WASHER  
 REF 42  
 2/25/19, JLL  
 8/6/20, DSA  
 3/5/21, JMR  
 FD MAG SHANK  
 3/16/23, TDN



O.D.O.T. DISTRICT 2 SURVEY OFFICE (USE ONLY)

PERSONNEL

REFERENCE NO. 43

SHEET 2 OF 31

NOTES NIESE DATE 3/5/21  
H.C. RHOADES WEATHER SUNNY  
R.C. \_\_\_\_\_ TEMP. 30°

ROUTE SR 109  
COUNTY HENRY  
TOWNSHIP LIBERTY  
SECTION 1  
T 5 N R 7 E

DWG BY NIESE PID PAVE TRAIN

TYPE MONUMENT R.R.SPIKE

ON SURFACE - ~~BELOW~~ ON

OFFSET Q PAVEMENT 1.7' LT : ~~RT~~

8.0' TO LT EDGE PAVEMENT

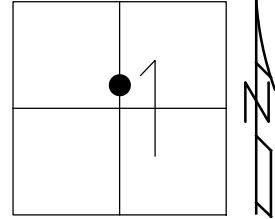
STATION: 1031+74

HORZ.DATUM: NAD83 2011

GEOID: NAVD88 2012A

GRID: NORTHING: \_\_\_\_\_

EASTING: \_\_\_\_\_



RECORD:  
FD R.R.SPIKE  
7/19/02, DCH  
SET MAG/WASHER  
12/2/02, DCH  
D.N.F.  
2/26/19, JLL  
8/6/20, DSA  
3/5/21, JMR

Q SR 109

● CONC DR

88.82'

○  
FD  
SHI

O.D.O.T. DISTRICT 2 SURVEY OFFICE (USE ONLY)

PERSONNEL

REFERENCE NO. 43 A

SHEET 3 OF 31

NOTES NIESE

DATE 3/5/21

ROUTE SR 109

H.C. RHOADES

WEATHER SUNNY

COUNTY HENRY

R.C. \_\_\_\_\_

TEMP. 30°

TOWNSHIP LIBERTY

DWG BY NIESE PID PAVE TRAIN

SECTION 1

T 5 N R 7 E

TYPE MONUMENT MONBOX W/1" IPIN

ON SURFACE - ~~BELOW~~ ON

OFFSET ☉ PAVEMENT ON LT : RT

- TO - EDGE PAVEMENT

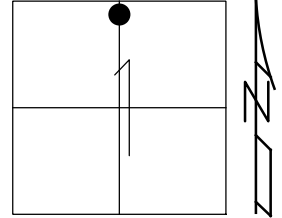
STATION: 1044+31

HORZ.DATUM: NAD83 2011

GEOID: NAVD88 2012A

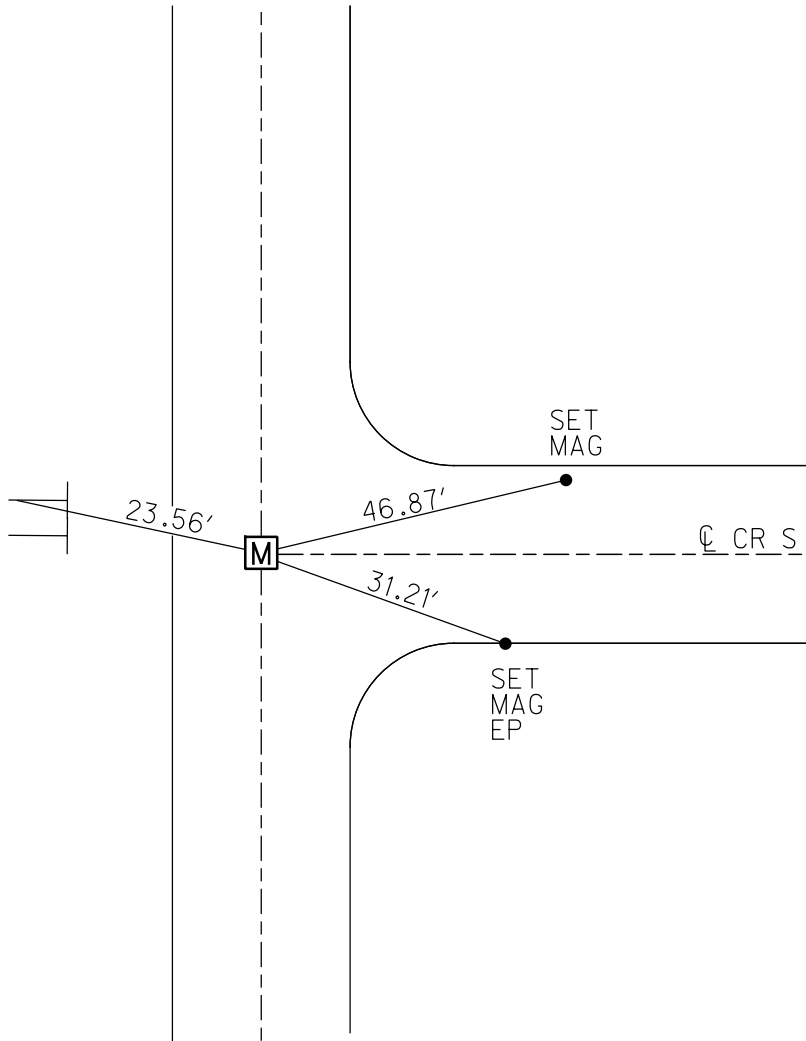
GRID: NORTHING: 644626.512

EASTING: 1554736.851



RECORD:  
 FD R.R.SPIKE  
 8/13/02, DCH  
 SET MAG/WASHER  
 12/2/02, DCH  
 FD MONBOX  
 W/ 1" IPIN  
 2/26/19, JLL  
 REFA43  
 8/6/20, DSA  
 3/5/21, JMR

1' UP  
 2 WAY ARROW  
 SIGN POST



O.D.O.T. DISTRICT 2 SURVEY OFFICE (USE ONLY)

PERSONNEL

REFERENCE NO. 44

SHEET 4 OF 31

NOTES NIESE DATE 3/5/21  
 H.C. RHOADES WEATHER SUNNY  
 R.C. \_\_\_\_\_ TEMP. 30°

ROUTE SR 109  
 COUNTY HENRY  
 TOWNSHIP LIBERTY  
 SECTION 1  
 T 5 N R 7 E

DWG BY NIESE PID PAVE TRAIN

TYPE MONUMENT MONBOX W/1" IPIN

ON SURFACE - ~~BELOW~~ ON

OFFSET ☉ PAVEMENT ON LT : RT

- TO - EDGE PAVEMENT

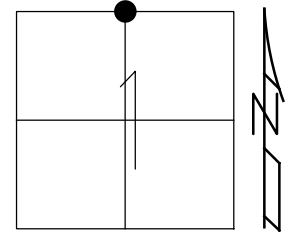
STATION: 1052+86

HORZ.DATUM: NAD83 2011

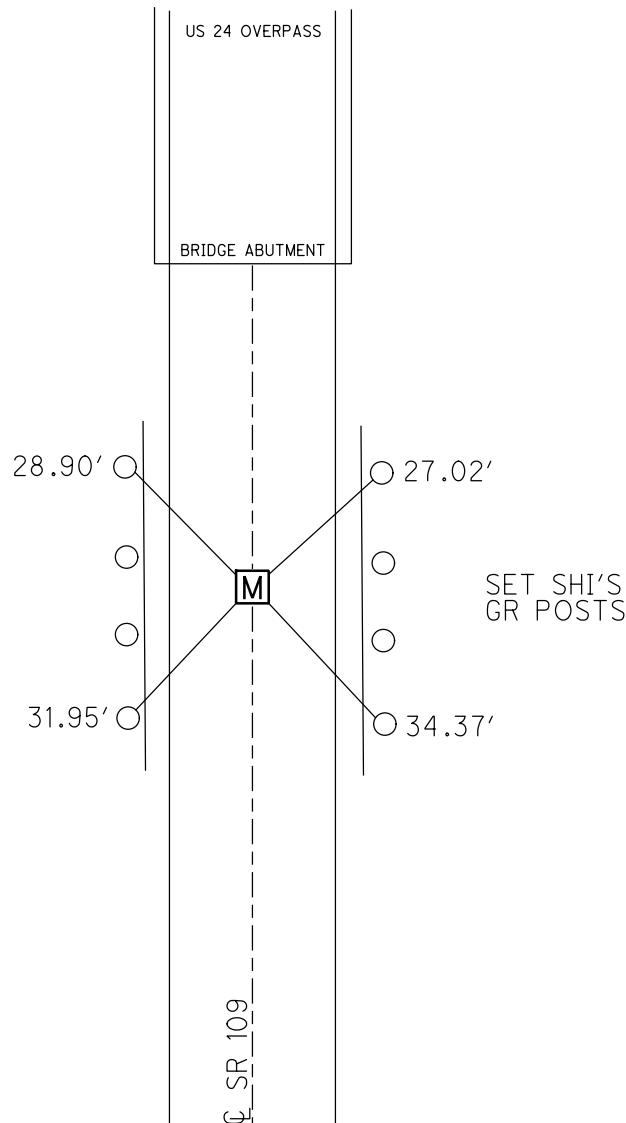
GEOID: NAVD88 2012A

GRID: NORTHING: 645481.579

EASTING: 1554756.590



RECORD:  
 FD MONBOX  
 W/ 1" IPIN  
 REF44  
 8/6/20, DSA  
 3/5/21, JMR



O.D.O.T. DISTRICT 2 SURVEY OFFICE (USE ONLY)

PERSONNEL \_\_\_\_\_ REFERENCE NO. 45 SHEET 5 OF 31

NOTES LEU DATE 4/25/17 ROUTE SR 109  
 H.C. LEU WEATHER CLOUDY COUNTY HENRY  
 R.C. HELMAN TEMP. 60° TOWNSHIP LIBERTY  
 \_\_\_\_\_ SECTION 36  
 \_\_\_\_\_ T 6 N R 7 E

TYPE MONUMENT MAG/WASHER

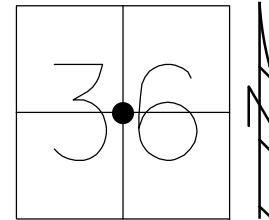
~~ON SURFACE~~ - BELOW 2"

LEFT - ℄ PAV'T - ~~RIGHT~~ 1'

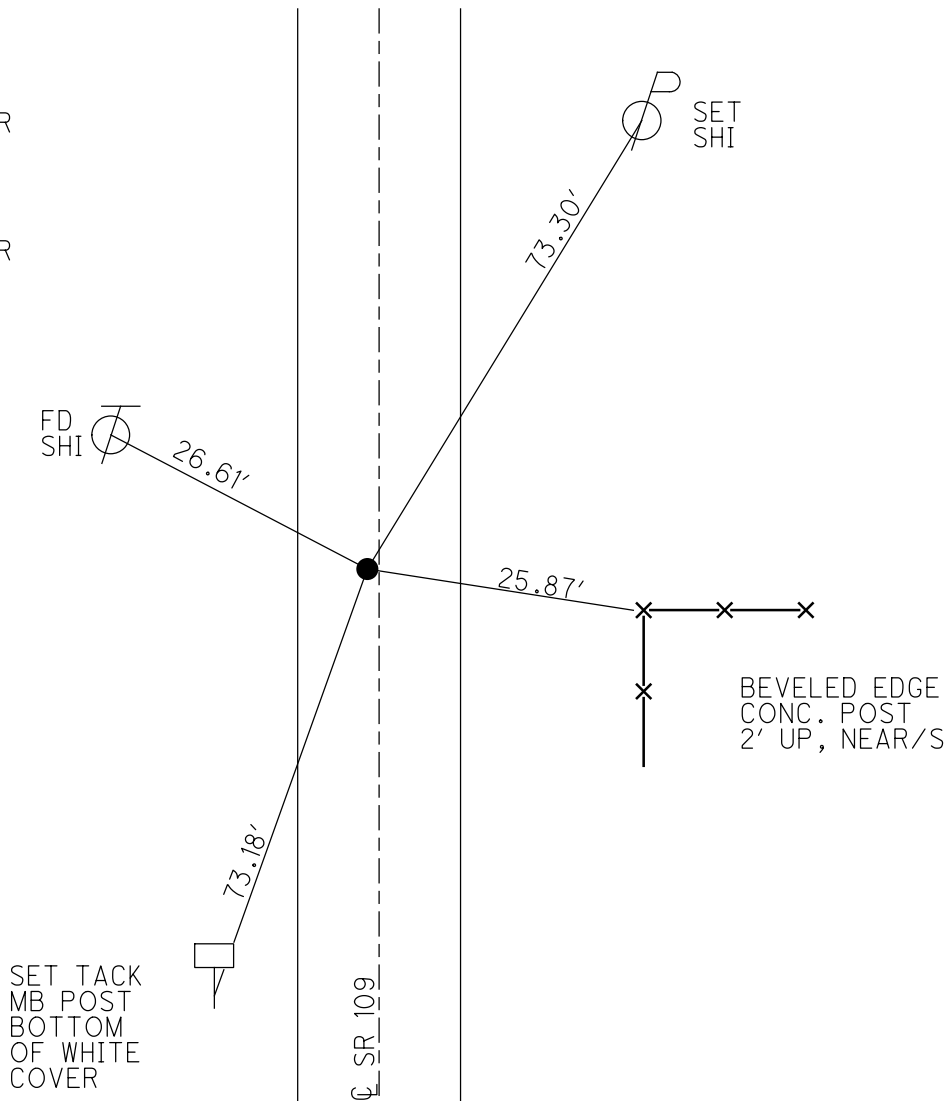
8.1' TO LT EDGE PAVEMENT

S.L.M. 1070+72.31

GRID: NORTHING: 648118.333 EASTING: 1554808.209



RECORD:  
 FD R.R.SPIKE  
 2" DOWN  
 8/13/02, DCH  
 SET MAG/WASHER  
 12/02/02, DCH  
 FD MAG/WASHER  
 REF45  
 2/5/16  
 SET MAG/WASHER  
 8/4/17, JLL

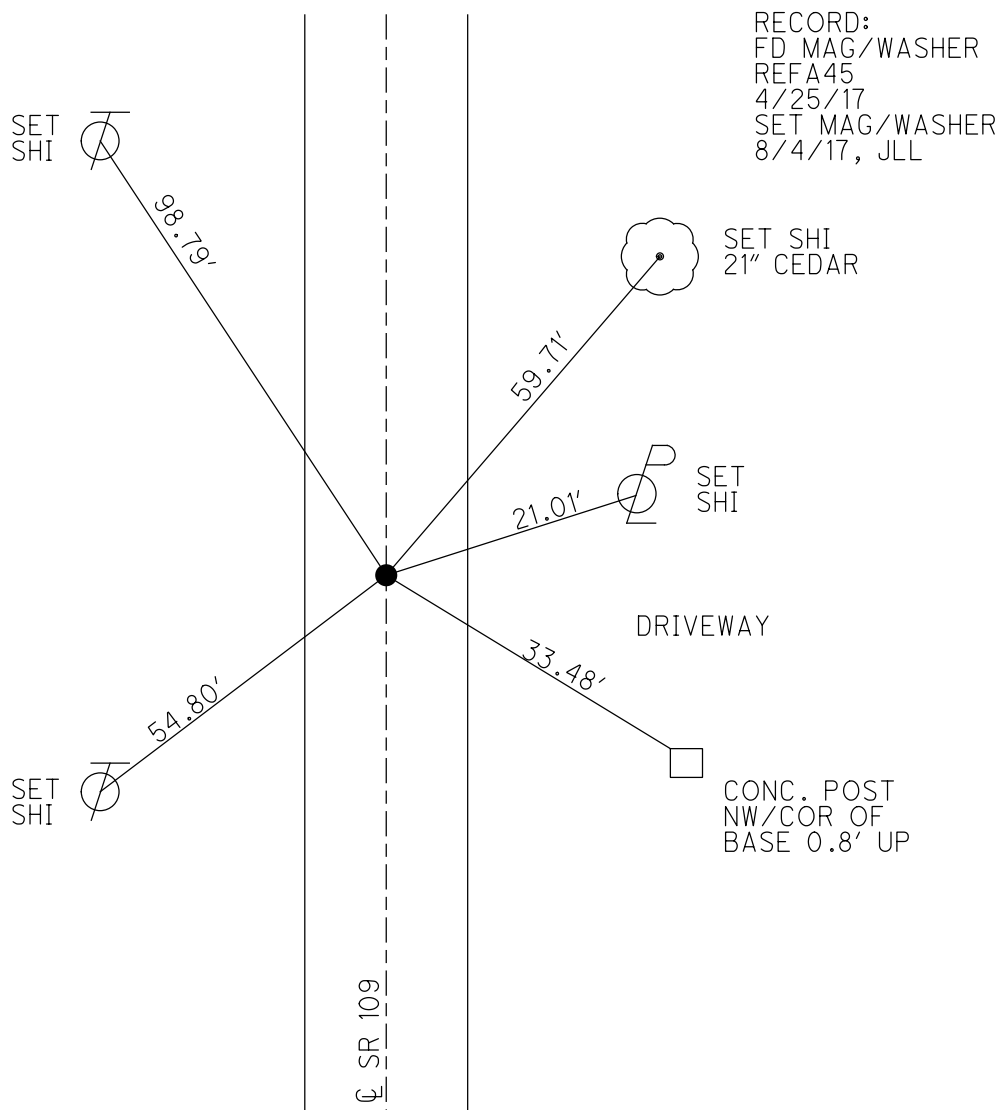
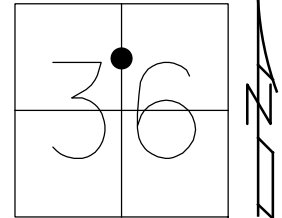


O.D.O.T. DISTRICT 2 SURVEY OFFICE (USE ONLY)

PERSONNEL \_\_\_\_\_ REFERENCE NO. 45 A SHEET 6 OF 31

NOTES LEU DATE 4/25/17 ROUTE SR 109  
 H.C. LEU WEATHER CLOUDY COUNTY HENRY  
 R.C. HELDMAN TEMP. 65° TOWNSHIP LIBERTY  
 \_\_\_\_\_ SECTION 36  
 \_\_\_\_\_ T 6 N R 7 E

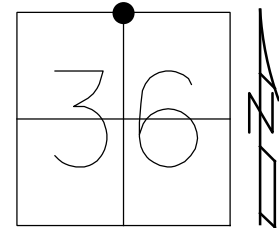
TYPE MONUMENT MAG/WASHER  
 ON SURFACE - ~~BELOW~~ ON  
 LEFT - ☉ PAV'T - RIGHT ON  
\_\_\_\_\_ TO \_\_\_\_\_ EDGE PAVEMENT  
 S.L.M. 1084+03.04  
 GRID: NORTHING: 649449.065 EASTING: 1554835.905



O.D.O.T. DISTRICT 2 SURVEY OFFICE (USE ONLY)

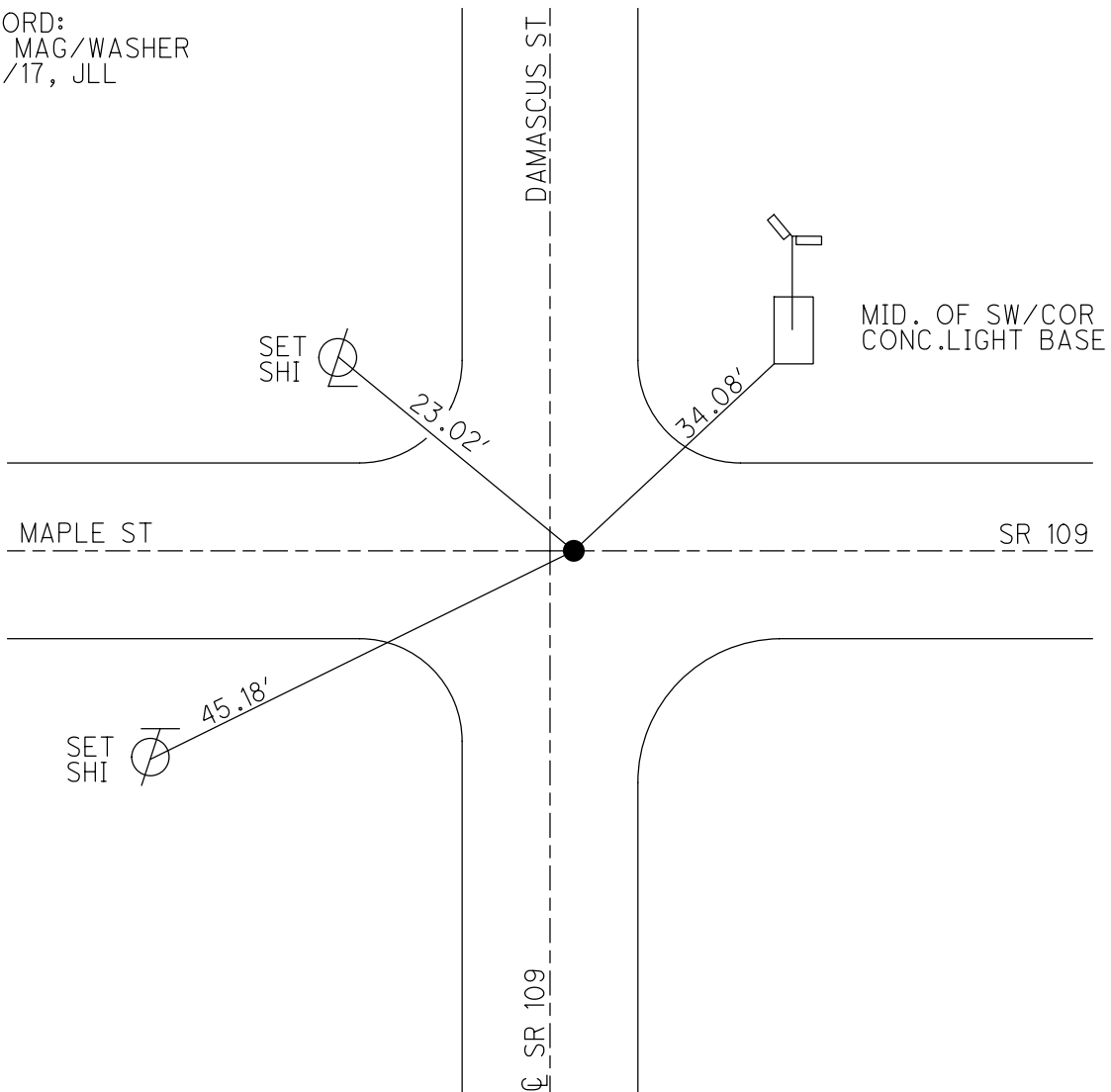
PERSONNEL \_\_\_\_\_ REFERENCE NO. 45 B SHEET 7 OF 31  
 NOTES RHOADES DATE 8/4/17 ROUTE SR 109  
 H.C. LEU WEATHER CLEAR COUNTY HENRY  
 R.C. HOMAN TEMP. 70° TOWNSHIP LIBERTY  
 \_\_\_\_\_ SECTION 36  
 \_\_\_\_\_ T 6 N R 7 E

TYPE MONUMENT MAG/WASHER  
 ON SURFACE - ~~BELOW~~ ON  
 LEFT - ☉ PAV'T - RIGHT ON, 2.2' RT OF ☉ S.  
- TO - EDGE PAVEMENT  
 S.L.M. 1097+29.07



GRID: NORTHING: 650775.095 EASTING: 1554863.502

RECORD:  
 SET MAG/WASHER  
 8/4/17, JLL



O.D.O.T. DISTRICT 2 SURVEY OFFICE (USE ONLY)

PERSONNEL

REFERENCE NO. 46

SHEET 8 OF 31

NOTES RHOADES

DATE 6/27/22

ROUTE SR 109

H.C. AUBLE

WEATHER SUNNY

COUNTY HENRY

R.C. RHOADES

TEMP. 70°

TOWNSHIP LIBERTY

SECTION 25

DWG BY RHOADES PID PAVETRAIN

T 6 N R 7 E

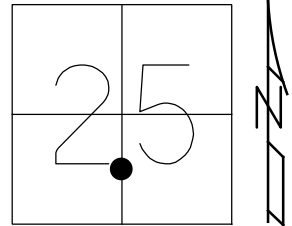
TYPE MONUMENT MAG/WASHER

ON SURFACE - ~~BELOW~~ ON \_\_\_\_\_

OFFSET  $\odot$  PAVEMENT 1' ~~LT~~ : RT

~~\_\_\_\_\_~~ TO ~~\_\_\_\_\_~~ EDGE PAVEMENT

STATION: 1116+19.2

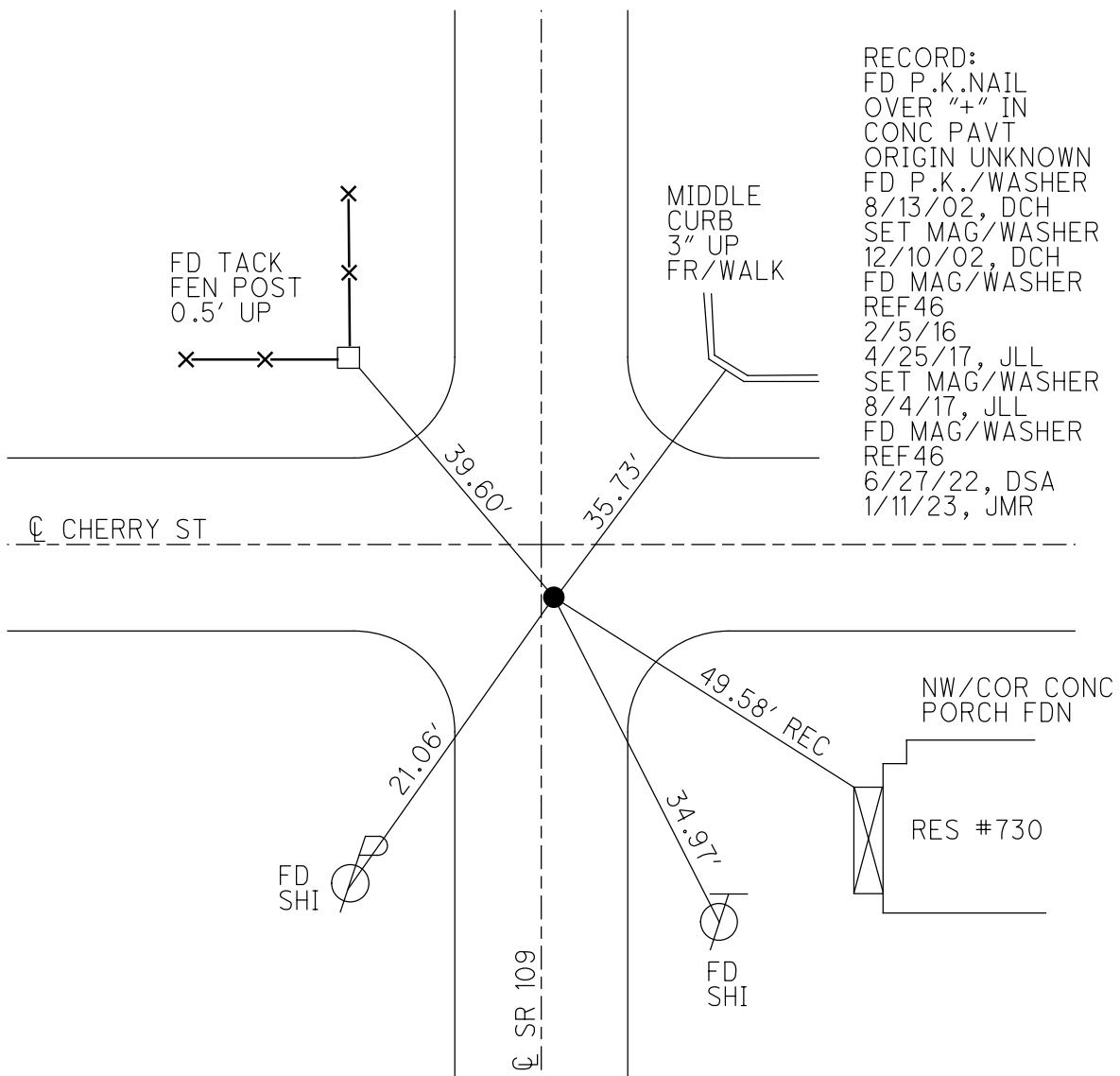


HORZ.DATUM: NAD83 2011

GEOID: NAVD88 2018

GRID: NORTHING: 652105.322

EASTING: 1554887.458



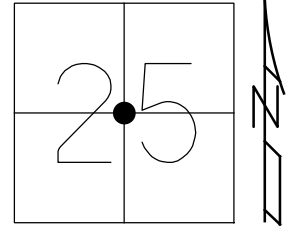
RECORD:  
 FD P.K.NAIL  
 OVER "+" IN  
 CONC PAVT  
 ORIGIN UNKNOWN  
 FD P.K./WASHER  
 8/13/02, DCH  
 SET MAG/WASHER  
 12/10/02, DCH  
 FD MAG/WASHER  
 REF46  
 2/5/16  
 4/25/17, JLL  
 SET MAG/WASHER  
 8/4/17, JLL  
 FD MAG/WASHER  
 REF46  
 6/27/22, DSA  
 1/11/23, JMR



O.D.O.T. DISTRICT 2 SURVEY OFFICE (USE ONLY)

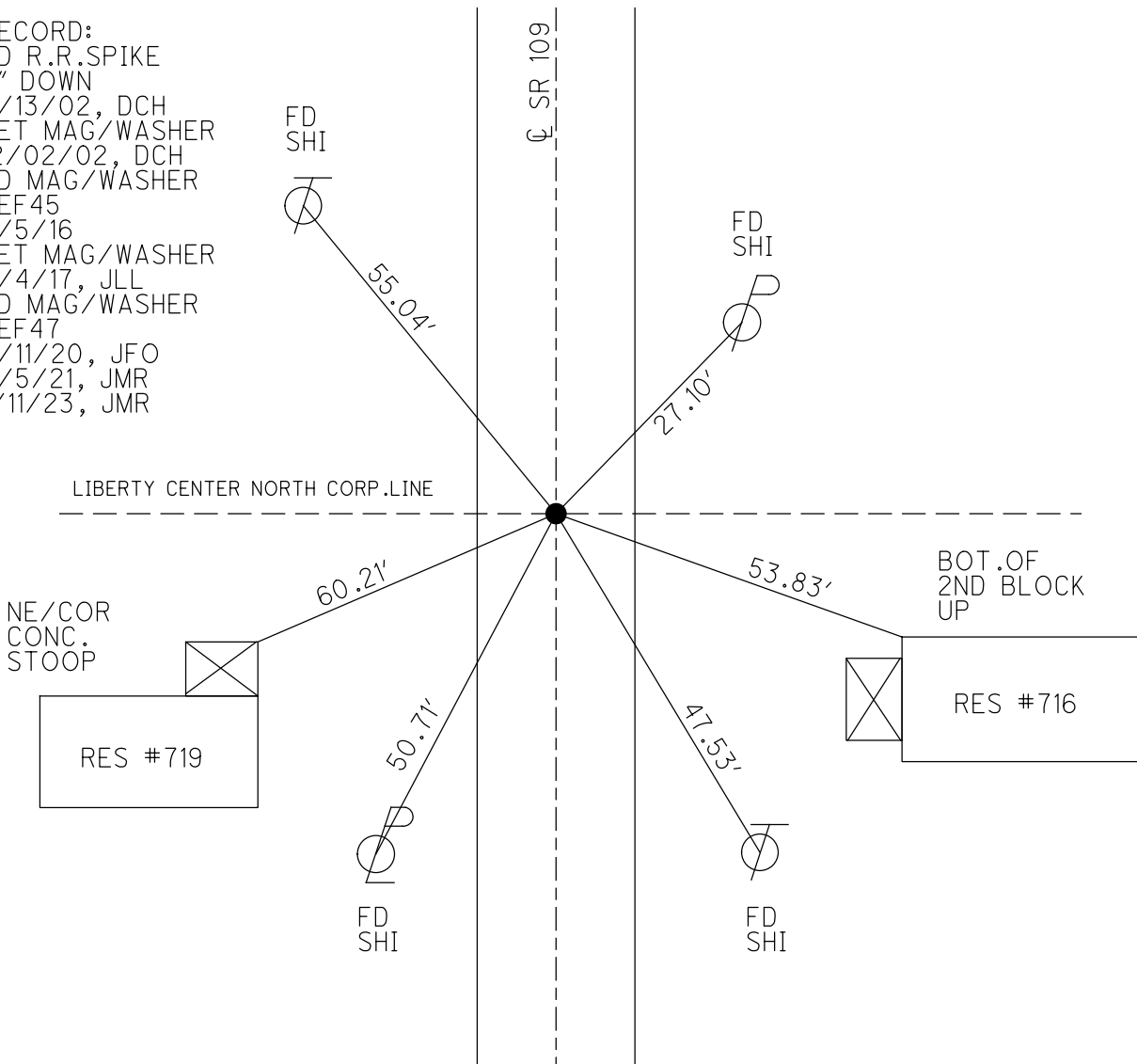
PERSONNEL \_\_\_\_\_ REFERENCE NO. 47 SHEET 9 OF 31  
 NOTES NIESE DATE 3/5/21 ROUTE SR 109  
 H.C. RHOADES WEATHER SUNNY COUNTY HENRY  
 R.C. \_\_\_\_\_ TEMP. 30° TOWNSHIP LIBERTY  
 DWG BY NIESE PID PAVE TRAIN SECTION 25  
 T 6 N R 7 E

TYPE MONUMENT MAG/WASHER  
 ON SURFACE - ~~BELOW~~ ON  
 OFFSET  $\varnothing$  PAVEMENT ON LT : RT  
11.0' TO RT EDGE PAVEMENT  
 STATION: 1129+70.12



HORIZ.DATUM: NAD83 2011 GEOID: NAVD88 2012A  
 GRID: NORTHING: 653426.740 EASTING: 1554910.408

RECORD:  
 FD R.R.SPIKE  
 2" DOWN  
 8/13/02, DCH  
 SET MAG/WASHER  
 12/02/02, DCH  
 FD MAG/WASHER  
 REF45  
 2/5/16  
 SET MAG/WASHER  
 8/4/17, JLL  
 FD MAG/WASHER  
 REF47  
 6/11/20, JFO  
 3/5/21, JMR  
 1/11/23, JMR



O.D.O.T. DISTRICT 2 SURVEY OFFICE (USE ONLY)

PERSONNEL

REFERENCE NO. 47 A

SHEET 10 OF 31

NOTES NIESE

DATE 3/5/21

ROUTE SR 109

H.C. RHOADES

WEATHER SUNNY

COUNTY HENRY

R.C. \_\_\_\_\_

TEMP. 30°

TOWNSHIP LIBERTY

DWG BY NIESE PID PAVE TRAIN

SECTION 25

T 6 N R 7 E

TYPE MONUMENT MAG/WASHER

ON SURFACE - ~~BELOW~~ ON

OFFSET Q PAVEMENT ON LT : RT  
10.2' TO RT EDGE PAVEMENT

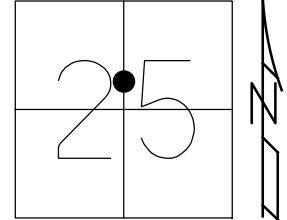
STATION: 1130+95.1

HORIZ.DATUM: NAD83 2011

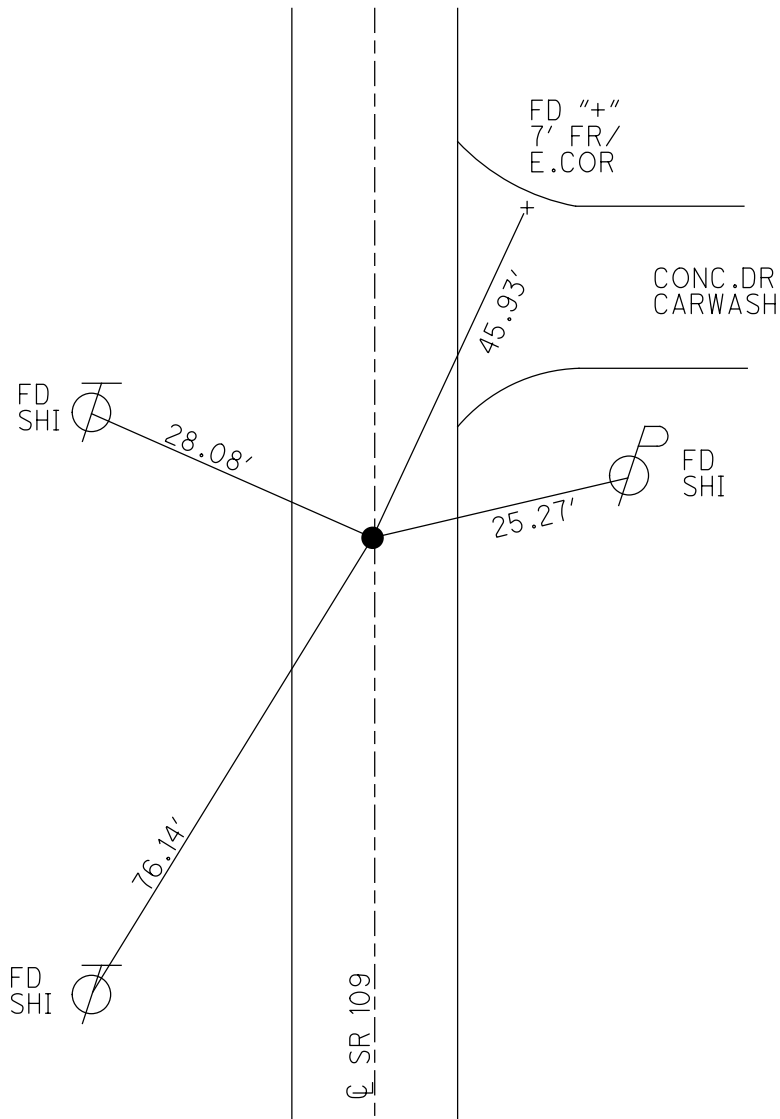
GEOID: NAVD88 2012A

GRID: NORTHING: 653551.523

EASTING: 1554912.451



RECORD:  
 SET P.K./WASHER  
 9/28/92  
 FD P.K./WASHER  
 8/19/02, TMR  
 SET MAG/WASHER  
 12/10/02, DCH  
 FD MAG/WASHER  
 2/5/16  
 SET MAG/WASHER  
 8/4/17, JLL  
 FD MAG/WASHER  
 REFA47  
 6/11/20, JFO  
 3/5/21, JMR  
 SET MAG/WASHER  
 REF47A  
 4/12/23, JMR



O.D.O.T. DISTRICT 2 SURVEY OFFICE (USE ONLY)

PERSONNEL

REFERENCE NO. 47 B

SHEET 11 OF 31

NOTES NIESE DATE 3/5/21  
 H.C. RHOADES WEATHER SUNNY  
 R.C. \_\_\_\_\_ TEMP. 30°

ROUTE SR 109  
 COUNTY HENRY  
 TOWNSHIP LIBERTY  
 SECTION 25

DWG BY NIESE PID PAVE TRAIN

T 6 N R 7 E

TYPE MONUMENT MAG NAIL

ON SURFACE - ~~BELOW~~ ON

OFFSET  $\odot$  PAVEMENT ON LT : RT

10.0' TO LT EDGE PAVEMENT

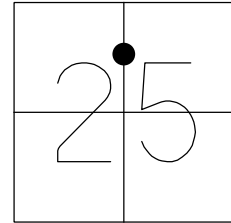
STATION: 1134+48.3

HORZ. DATUM: NAD83 2011

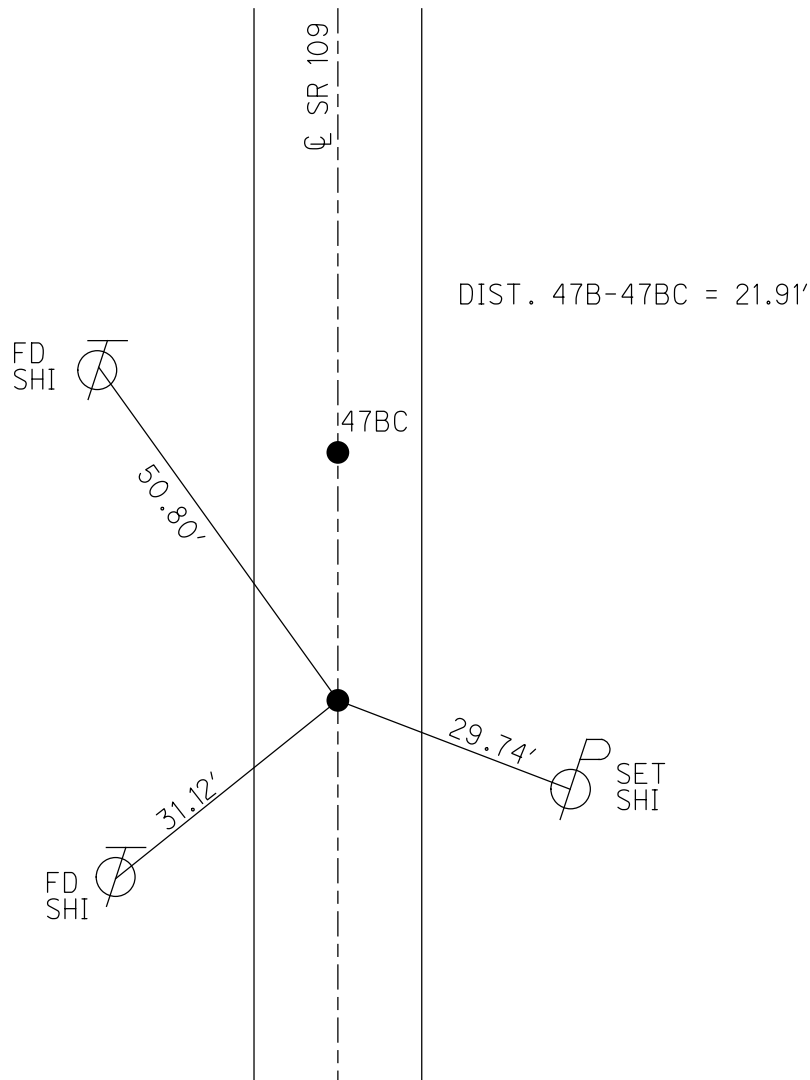
GEOID: NAVD88 2012A

GRID: NORTHING: 653904.937

EASTING: 1554918.885



RECORD:  
 FD MAG/WASHER  
 4/25/17, JLL  
 FD MAG NAIL  
 REFB47  
 6/11/20, JFO  
 3/5/21,  
 1/11/23, JMR



O.D.O.T. DISTRICT 2 SURVEY OFFICE (USE ONLY)

PERSONNEL

REFERENCE NO. 47 BC

SHEET 12 OF 31

NOTES NIESE DATE 3/5/21

H.C. RHOADES WEATHER SUNNY

R.C. \_\_\_\_\_ TEMP. 30°

ROUTE SR 109

COUNTY HENRY

TOWNSHIP LIBERTY

SECTION 25

DWG BY NIESE PID PAVE TRAIN

T 6 N R 7 E

TYPE MONUMENT MAG/WASHER

ON SURFACE - ~~BELOW~~ ON

OFFSET  $\odot$  PAVEMENT ON LT : RT

10.0' TO LT EDGE PAVEMENT

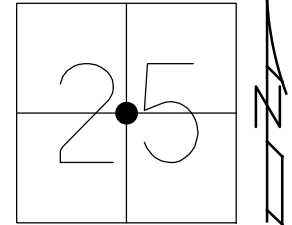
STATION: 1134+70.2

HORZ. DATUM: NAD83 2011

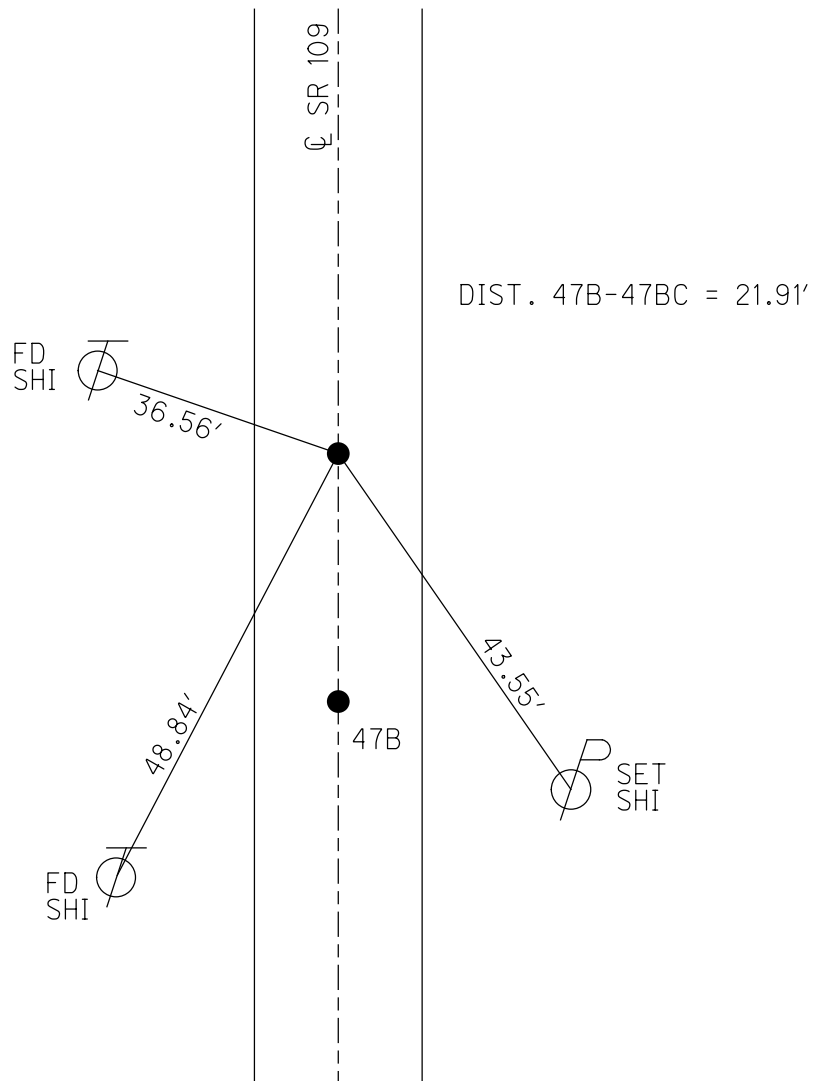
GEOID: NAVD88 2012A

GRID: NORTHING: 653926.842

EASTING: 1554919.368



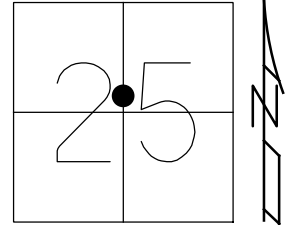
RECORD:  
 FD MAG/WASHER  
 4/25/17, JLL  
 SET MAG NAIL  
 REFBC47  
 6/11/20, JFO  
 FD MAG SHANK  
 3/5/21,  
 1/11/23, JMR



O.D.O.T. DISTRICT 2 SURVEY OFFICE (USE ONLY)

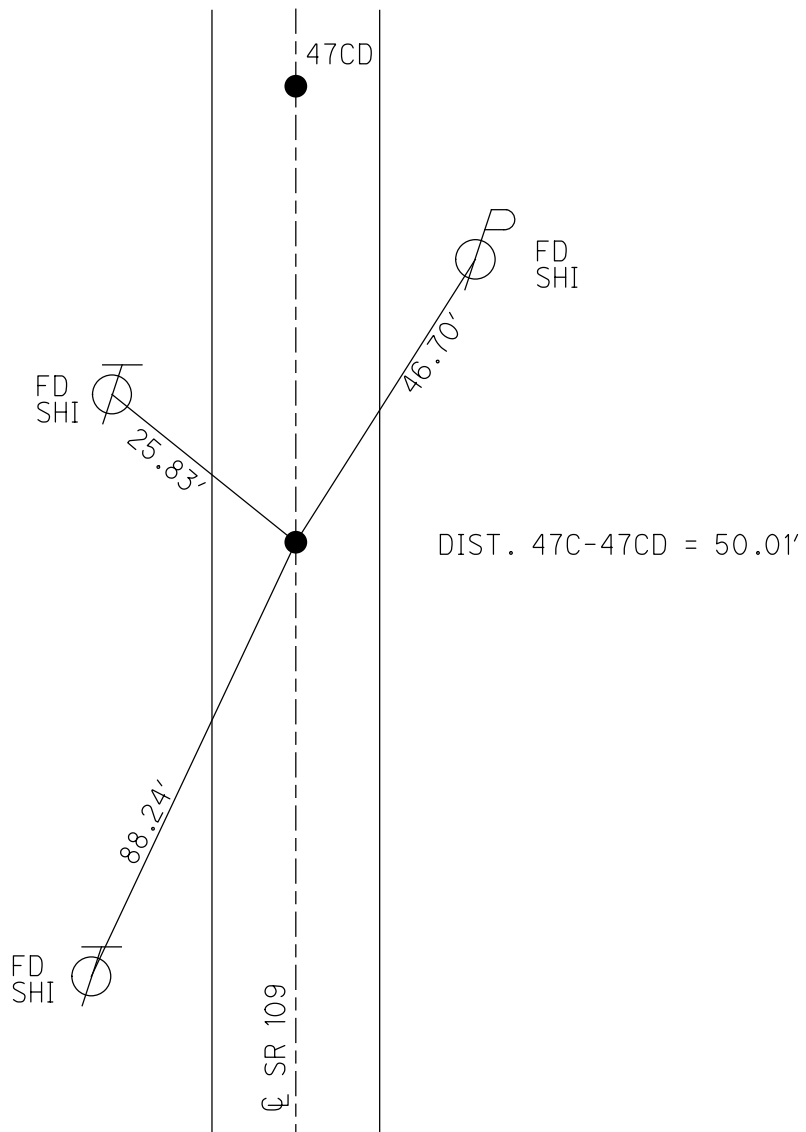
PERSONNEL \_\_\_\_\_ REFERENCE NO. 47 C SHEET 13 OF 31  
 NOTES NIESE DATE 3/5/21 ROUTE SR 109  
 H.C. RHOADES WEATHER SUNNY COUNTY HENRY  
 R.C. \_\_\_\_\_ TEMP. 30° TOWNSHIP LIBERTY  
 \_\_\_\_\_ SECTION 25  
 DWG BY NIESE PID PAVE TRAIN T 6 N R 7 E

TYPE MONUMENT MAG/WASHER  
 ON SURFACE - ~~BELOW~~ ON  
 OFFSET  $\varnothing$  PAVEMENT ON LT : RT  
10.0' TO LT EDGE PAVEMENT  
 STATION: 1135+70.1



HORZ. DATUM: NAD83 2011 GEOID: NAVD88 2012A  
 GRID: NORTHING: 654026.765 EASTING: 1554921.157

RECORD:  
 FD P.K./WASHER  
 8/19/02, TMR  
 SET MAG/WASHER  
 12/2/02, DCH  
 FD MAG/WASHER  
 2/26/19, JLL  
 FD MAG/WASHER  
 REFC47  
 6/11/20, JFO  
 3/5/21,  
 1/11/23, JMR



O.D.O.T. DISTRICT 2 SURVEY OFFICE (USE ONLY)

PERSONNEL

REFERENCE NO. 47 CD

SHEET 14 OF 31

NOTES NIESE

DATE 3/5/21

ROUTE SR 109

H.C. RHOADES

WEATHER SUNNY

COUNTY HENRY

R.C. \_\_\_\_\_

TEMP. 30°

TOWNSHIP LIBERTY

DWG BY NIESE

PID PAVE TRAIN

SECTION 25

T 6 N R 7 E

TYPE MONUMENT MAG/WASHER

ON SURFACE - ~~BELOW~~ ON

OFFSET Q PAVEMENT ON LT : RT

10.0' TO LT EDGE PAVEMENT

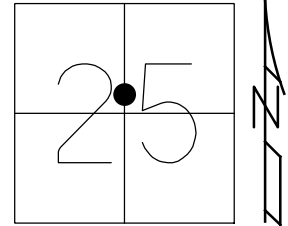
STATION: 1136+20.2

HORZ.DATUM: NAD83 2011

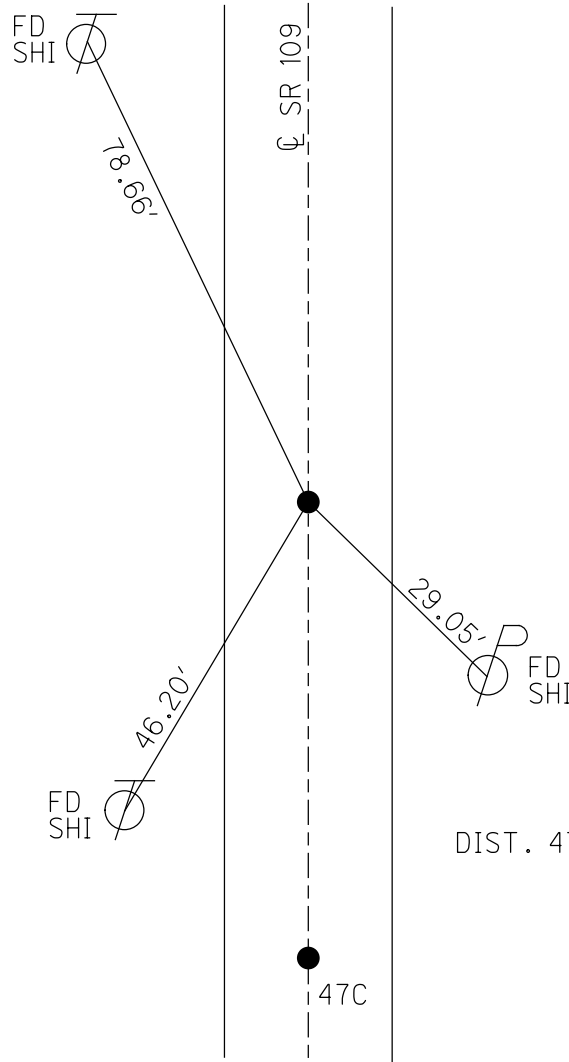
GEOID: NAVD88 2012A

GRID: NORTHING: 654076.802

EASTING: 1554922.047



RECORD:  
 FD P.K./WASHER  
 8/19/02, TMR  
 SET MAG/WASHER  
 12/2/02, DCH  
 FD MAG/WASHER  
 2/26/19, JLL  
 FD MAG/WASHER  
 REFC47  
 6/11/20, JFO  
 3/5/21,  
 1/11/23, JMR



DIST. 47C-47CD = 50.01'

O.D.O.T. DISTRICT 2 SURVEY OFFICE (USE ONLY)

PERSONNEL

REFERENCE NO. 47 D

SHEET 15 OF 31

NOTES NIESE

DATE 3/5/21

ROUTE SR 109

H.C. RHOADES

WEATHER SUNNY

COUNTY HENRY

R.C. \_\_\_\_\_

TEMP. 30°

TOWNSHIP LIBERTY

DWG BY NIESE

PID PAVE TRAIN

SECTION 25

T 6 N R 7 E

TYPE MONUMENT MAG/WASHER

ON SURFACE - ~~BELOW~~ ON

OFFSET Q PAVEMENT ON LT : RT

10.0' TO LT EDGE PAVEMENT

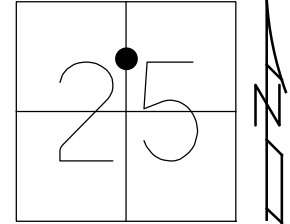
STATION: 1137+85.2

HORZ. DATUM: NAD83 2011

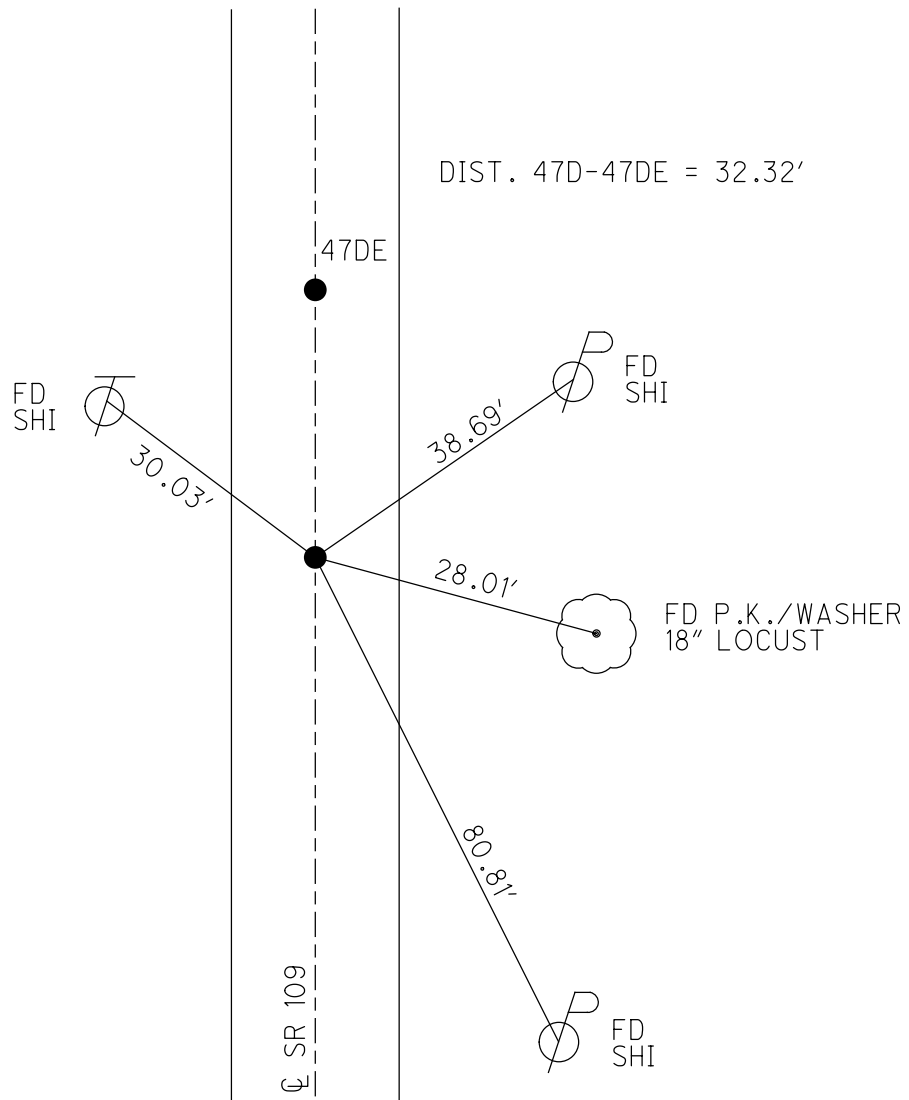
GEOID: NAVD88 2012A

GRID: NORTHING: 654241.789

EASTING: 1554925.034



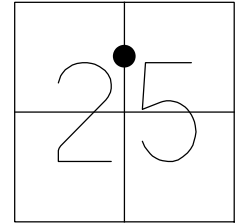
RECORD:  
 FD P.K./WASHER  
 8/19/02, TMR  
 SET MAG/WASHER  
 12/2/02, DCH  
 FD MAG/WASHER  
 2/26/19, JLL  
 FD MAG/WASHER  
 REFD47  
 6/11/20, JFO  
 3/5/21,  
 1/11/23, JMR



O.D.O.T. DISTRICT 2 SURVEY OFFICE (USE ONLY)

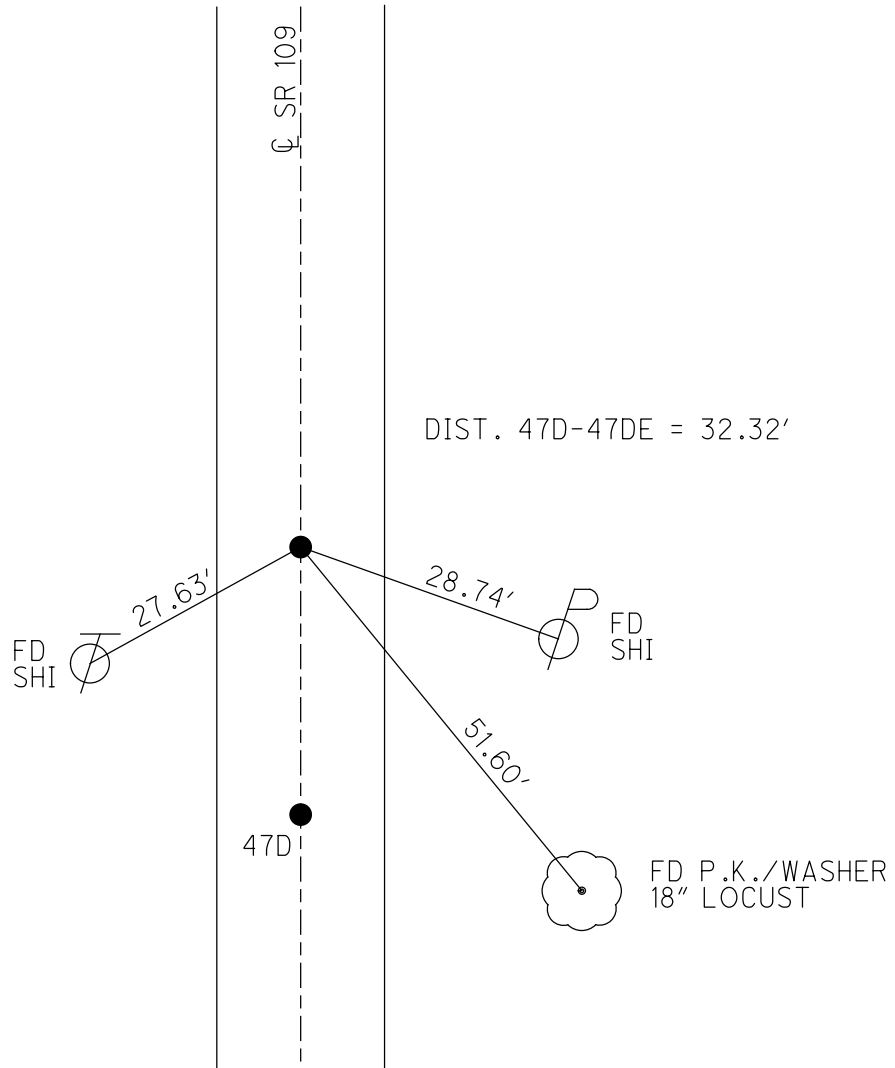
PERSONNEL \_\_\_\_\_ REFERENCE NO. 47 DE SHEET 16 OF 31  
 NOTES NIESE DATE 3/5/21 ROUTE SR 109  
 H.C. RHOADES WEATHER SUNNY COUNTY HENRY  
 R.C. \_\_\_\_\_ TEMP. 30° TOWNSHIP LIBERTY  
 DWG BY NIESE PID PAVE TRAIN SECTION 25  
 T 6 N R 7 E

TYPE MONUMENT P.K./WASHER  
 ON SURFACE - ~~BELOW~~ ON  
 OFFSET  $\odot$  PAVEMENT ON LT : RT  
10.0' TO LT EDGE PAVEMENT  
 STATION: 1138+17.4



HORZ. DATUM: \_\_\_\_\_ GEOID: \_\_\_\_\_  
 GRID: NORTHING: \_\_\_\_\_ EASTING: \_\_\_\_\_

RECORD:  
 FD P.K./WASHER  
 8/19/02, TMR  
 SET MAG/WASHER  
 12/2/02, DCH  
 D.N.F.  
 6/11/20, JFO  
 3/5/21,  
 1/11/23, JMR





O.D.O.T. DISTRICT 2 SURVEY OFFICE (USE ONLY)

PERSONNEL

REFERENCE NO. 47 E

SHEET 17 OF 31

NOTES NIESE

DATE 3/5/21

ROUTE SR 109

H.C. RHOADES

WEATHER SUNNY

COUNTY HENRY

R.C. \_\_\_\_\_

TEMP. 30°

TOWNSHIP LIBERTY

DWG BY NIESE

PID PAVE TRAIN

SECTION 25

T 6 N R 7 E

TYPE MONUMENT MAG/WASHER

ON SURFACE - ~~BELOW~~ ON

OFFSET  $\varnothing$  PAVEMENT ON LT : RT

10.0' TO LT EDGE PAVEMENT

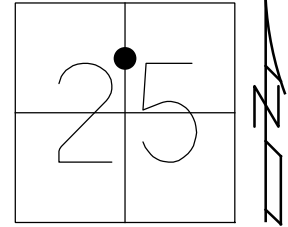
STATION: 1142+92.3

HORIZ.DATUM: NAD83 2011

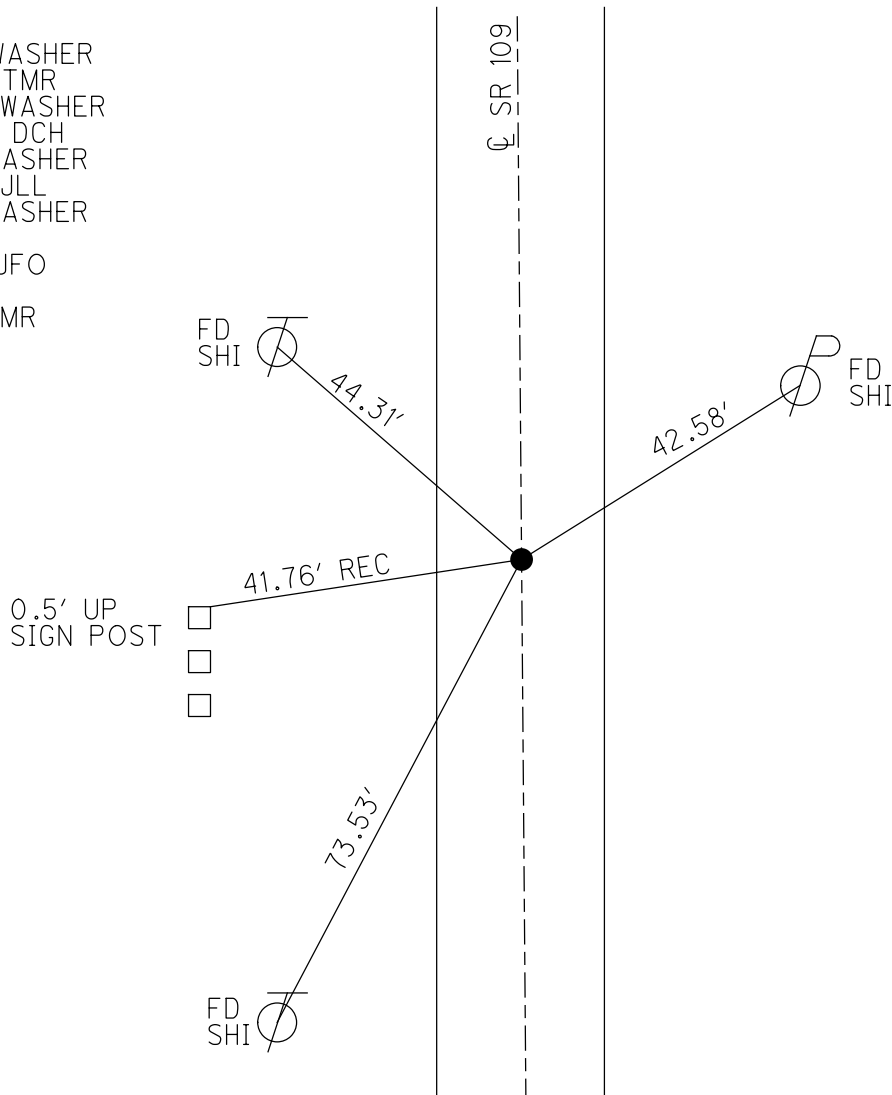
GEOID: NAVD88 2012A

GRID: NORTHING: 654748.864

EASTING: 1554934.349



RECORD:  
 FD P.K./WASHER  
 8/19/02, TMR  
 SET MAG/WASHER  
 12/10/02, DCH  
 FD MAG/WASHER  
 2/26/19, JLL  
 FD MAG/WASHER  
 REFE47  
 6/11/20, JFO  
 3/5/21,  
 1/11/23, JMR



O.D.O.T. DISTRICT 2 SURVEY OFFICE (USE ONLY)

PERSONNEL

REFERENCE NO. 48

SHEET 18 OF 31

NOTES NIESE

DATE 3/5/21

ROUTE SR 109

H.C. RHOADES

WEATHER SUNNY

COUNTY HENRY

R.C. \_\_\_\_\_

TEMP. 30°

TOWNSHIP LIBERTY

DWG BY NIESE

PID PAVE TRAIN

SECTION 24

T 6 N R 7 E

TYPE MONUMENT MAG/WASHER

ON SURFACE - ~~BELOW~~ ON

OFFSET  $\varnothing$  PAVEMENT ON LT : RT

- TO - EDGE PAVEMENT

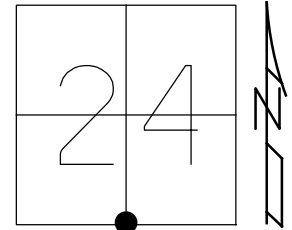
STATION: 1156+18.7

HORZ.DATUM: NAD83 2011

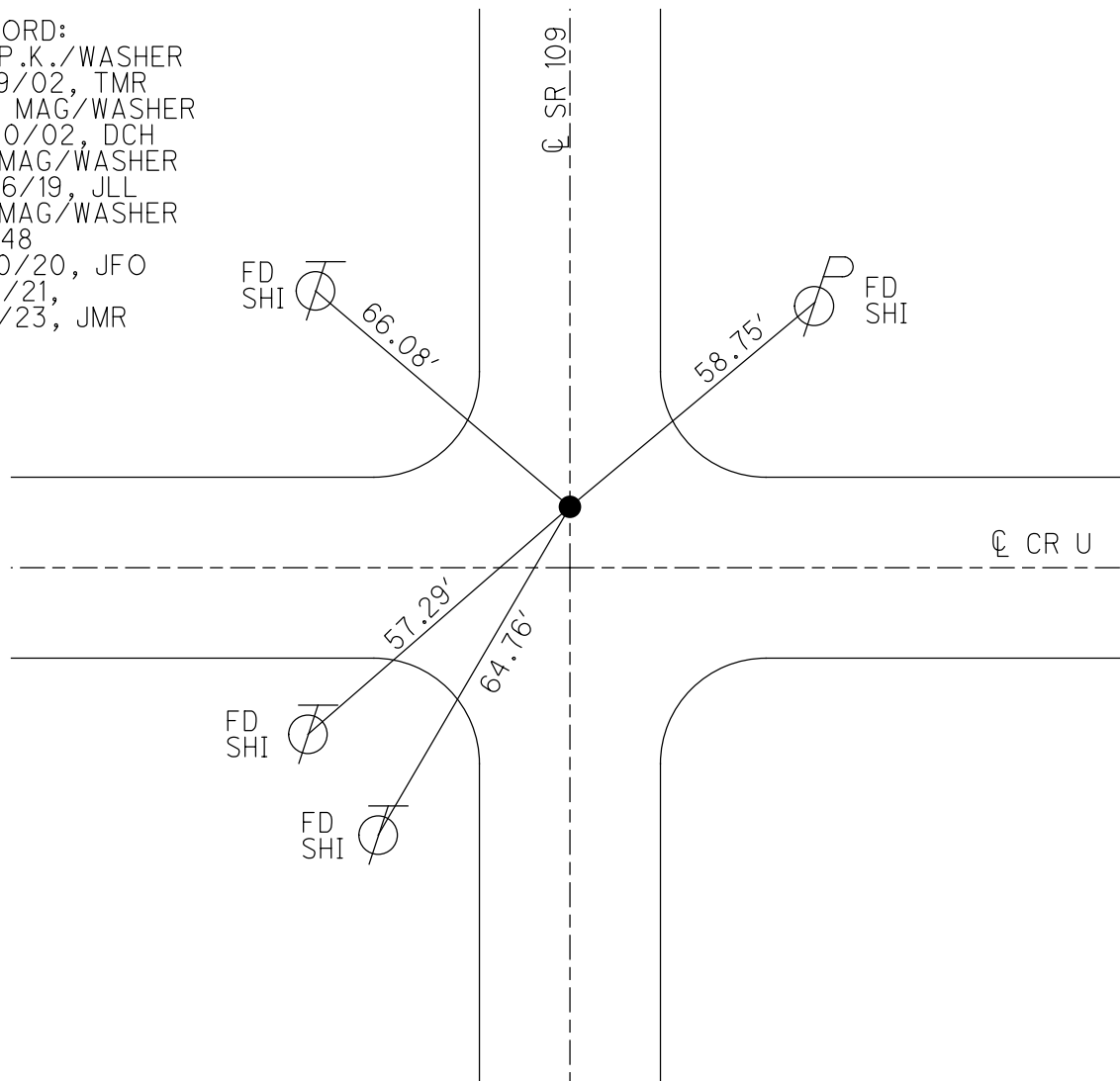
GEOID: NAVD88 2012A

GRID: NORTHING: 656075.273

EASTING: 1554958.631



RECORD:  
 FD P.K./WASHER  
 8/19/02, TMR  
 SET MAG/WASHER  
 12/10/02, DCH  
 FD MAG/WASHER  
 2/26/19, JLL  
 FD MAG/WASHER  
 REF48  
 6/10/20, JFO  
 3/5/21,  
 1/11/23, JMR



O.D.O.T. DISTRICT 2 SURVEY OFFICE (USE ONLY)

PERSONNEL

REFERENCE NO. 49

SHEET 19 OF 31

NOTES NIESE

DATE 3/5/21

ROUTE SR 109

H.C. RHOADES

WEATHER SUNNY

COUNTY HENRY

R.C. \_\_\_\_\_

TEMP. 30°

TOWNSHIP LIBERTY

DWG BY NIESE

PID PAVE TRAIN

SECTION 24

T 6 N R 7 E

TYPE MONUMENT R.R.SPIKE

~~ON SURFACE~~ - BELOW 3"

OFFSET  $\varnothing$  PAVEMENT ON LT : RT

11' TO LT EDGE PAVEMENT

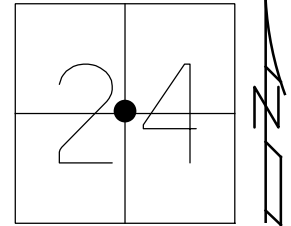
STATION: 1182+70.3

HORZ.DATUM: NAD83 2011

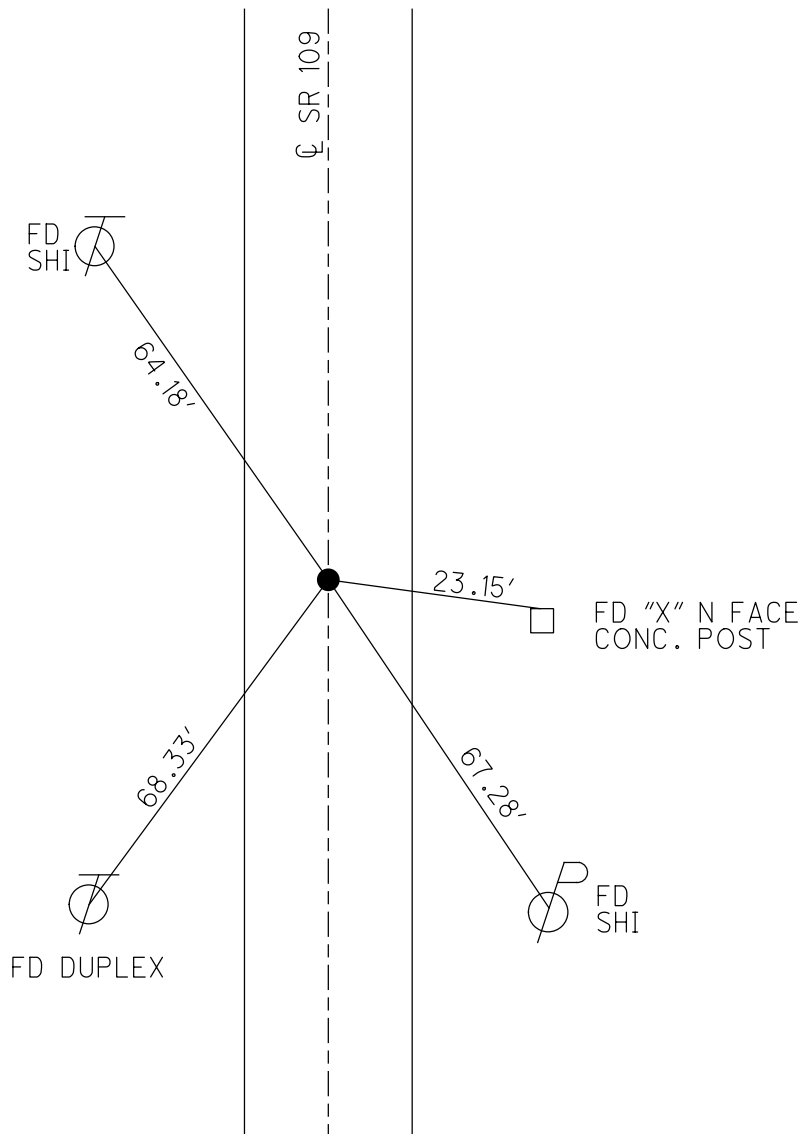
GEOID: NAVD88 2012A

GRID: NORTHING: 658726.916

EASTING: 1555010.762



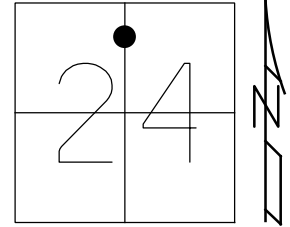
RECORD:  
 FD P.K./WASHER  
 8/19/02, TMR  
 SET MAG/WASHER  
 12/10/02, DCH  
 FD SM.R.R.SPIKE  
 3.5" DOWN  
 2/26/19, JLL  
 FD R.R.SPIKE  
 3" DOWN  
 REF49  
 6/10/20, JFO  
 3/5/21,  
 1/11/23, JMR



O.D.O.T. DISTRICT 2 SURVEY OFFICE (USE ONLY)

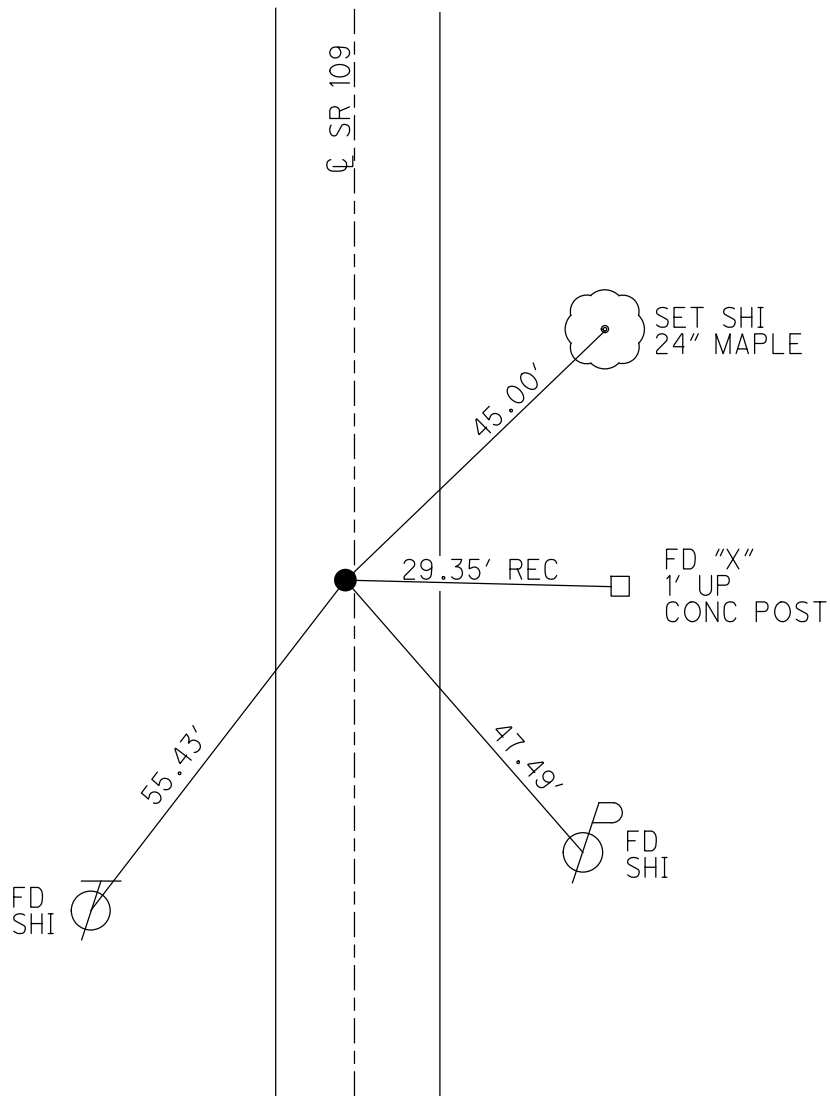
PERSONNEL \_\_\_\_\_ REFERENCE NO. 49 A SHEET 20 OF 31  
 NOTES NIESE DATE 3/5/21 ROUTE SR 109  
 H.C. RHOADES WEATHER SUNNY COUNTY HENRY  
 R.C. \_\_\_\_\_ TEMP. 30° TOWNSHIP LIBERTY  
 DWG BY NIESE PID PAVE TRAIN SECTION 24  
 T 6 N R 7 E

TYPE MONUMENT MAG/WASHER  
 ON SURFACE - ~~BELOW~~ ON  
 OFFSET 0.6' LT : ~~RT~~  
10' TO LT EDGE PAVEMENT  
 STATION: 1201+86.3



HORZ. DATUM: NAD83 2011 GEOID: NAVD88 2012A  
 GRID: NORTHING: 660642.920 EASTING: 1555046.901

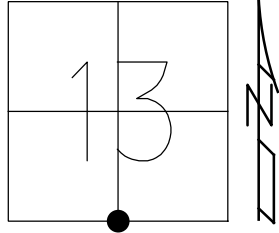
RECORD:  
 FDP.K./WASHER  
 8/19/02, TMR  
 SET MAG/WASHER  
 12/10/02, DCH  
 FD MAG/WASHER  
 2/26/19, JLL  
 FD MAG/WASHER  
 REFA49  
 6/10/20, JFO  
 3/5/21,  
 1/11/23, JMR



O.D.O.T. DISTRICT 2 SURVEY OFFICE (USE ONLY)

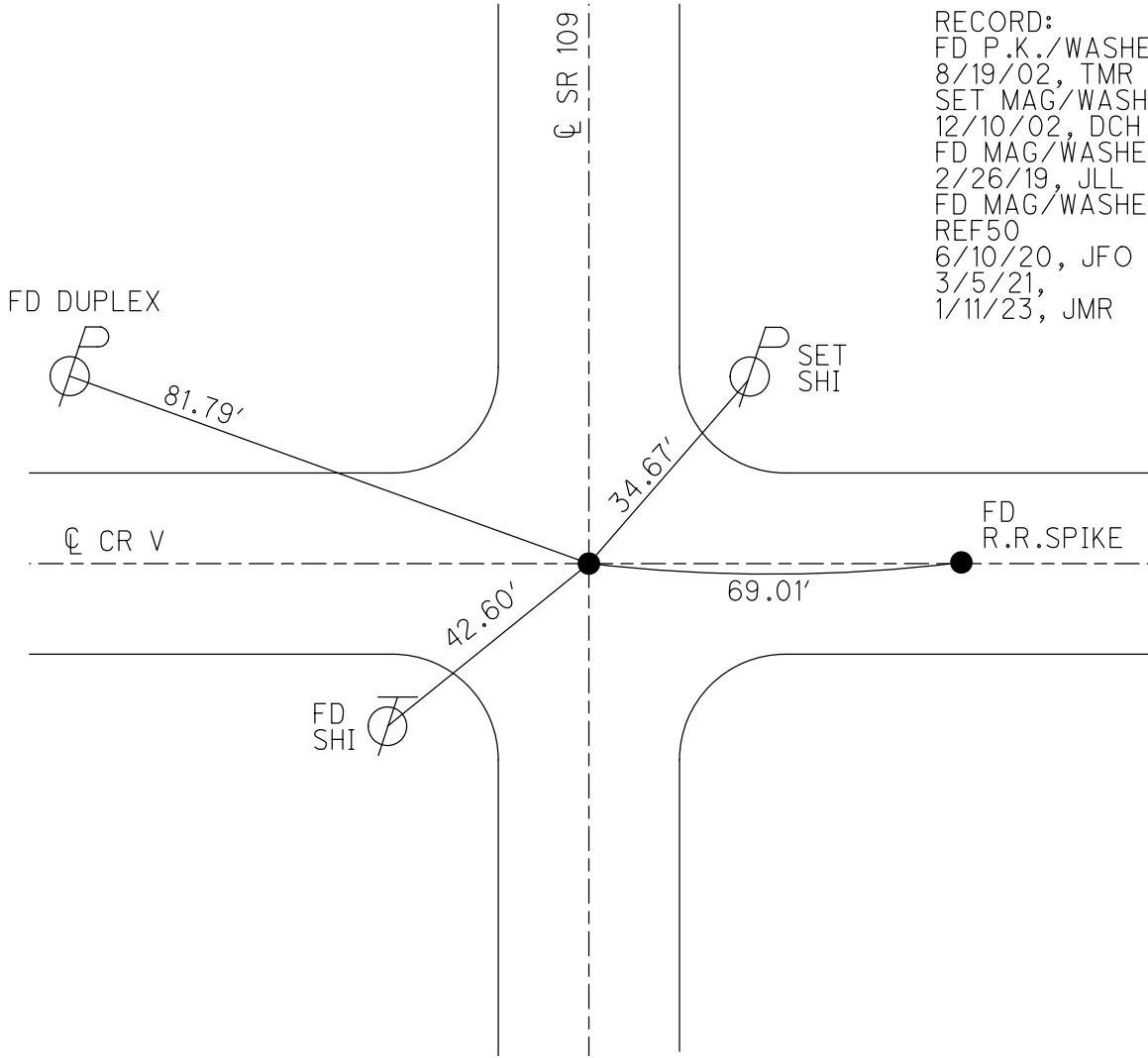
PERSONNEL \_\_\_\_\_ REFERENCE NO. 50 SHEET 21 OF 31  
 NOTES NIESE DATE 3/5/21 ROUTE SR 109  
 H.C. RHOADES WEATHER SUNNY COUNTY HENRY  
 R.C. \_\_\_\_\_ TEMP. 30° TOWNSHIP LIBERTY  
 DWG BY NIESE PID PAVE TRAIN SECTION 13  
 T 6 N R 7 E

TYPE MONUMENT MAG/WASHER  
 ON SURFACE - ~~BELOW~~ ON  
 OFFSET  $\odot$  PAVEMENT ON LT : RT  
- TO - EDGE PAVEMENT  
 STATION: 1209+15.5



HORZ. DATUM: NAD83 2011 GEOID: NAVD88 2012A  
 GRID: NORTHING: 661372.077 EASTING: 1555060.975

RECORD:  
 FD P.K./WASHER  
 8/19/02, TMR  
 SET MAG/WASHER  
 12/10/02, DCH  
 FD MAG/WASHER  
 2/26/19, JLL  
 FD MAG/WASHER  
 REF50  
 6/10/20, JFO  
 3/5/21,  
 1/11/23, JMR



O.D.O.T. DISTRICT 2 SURVEY OFFICE (USE ONLY)

PERSONNEL

REFERENCE NO. 51

SHEET 22 OF 31

NOTES NIESE DATE 3/5/21

ROUTE SR 109

H.C. RHOADES WEATHER SUNNY

COUNTY HENRY

R.C. \_\_\_\_\_ TEMP. 30°

TOWNSHIP LIBERTY

SECTION 13

DWG BY NIESE PID PAVE TRAIN

T 6 N R 7 E

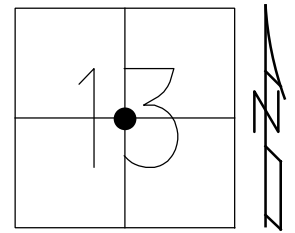
TYPE MONUMENT MAG/WASHER

ON SURFACE - ~~BELOW~~ ON

OFFSET  $\varnothing$  PAVEMENT 0.5' LT : RT

11' TO LT EDGE PAVEMENT

STATION: 1235+79.2

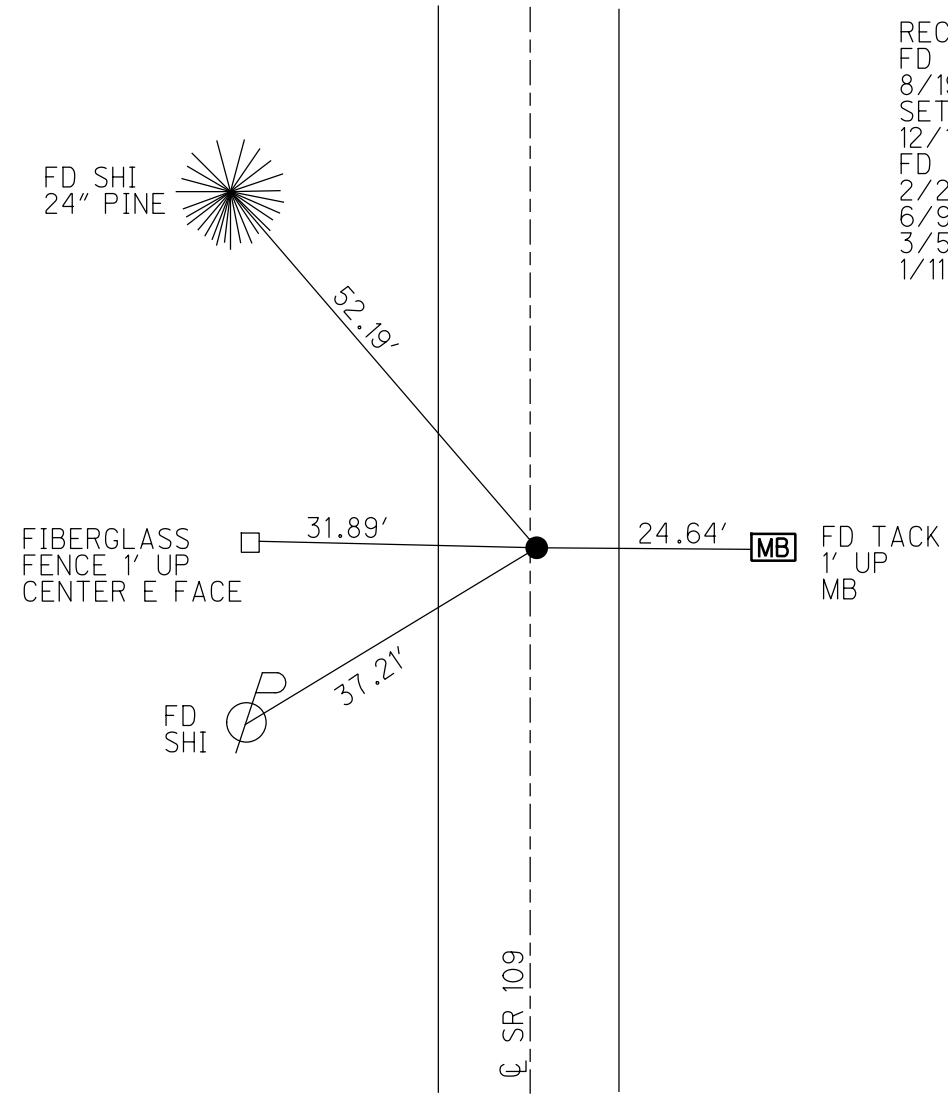


HORZ.DATUM: NAD83 2011

GEOID: NAVD88 2012A

GRID: NORTHING: 664035.789

EASTING: 1555108.443

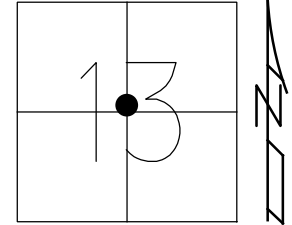


RECORD:  
 FD P.K./WASHER  
 8/19/02, TMR  
 SET MAG/WASHER  
 12/10/02, DCH  
 FD MAG/WASHER  
 2/27/19, JLL  
 6/9/20, DSA  
 3/5/21,  
 1/11/23, JMR

O.D.O.T. DISTRICT 2 SURVEY OFFICE (USE ONLY)

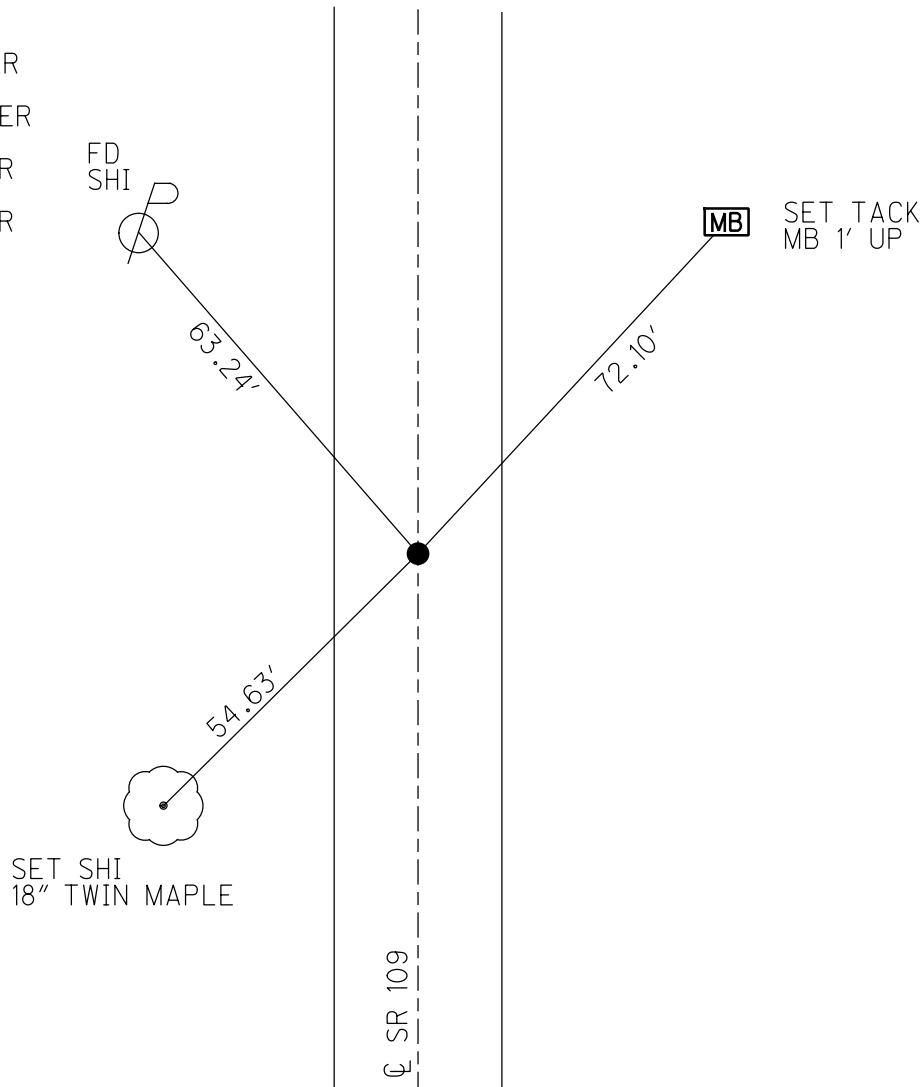
PERSONNEL \_\_\_\_\_ REFERENCE NO. 51 A SHEET 23 OF 31  
 NOTES NIESE DATE 3/5/21 ROUTE SR 109  
 H.C. RHOADES WEATHER SUNNY COUNTY HENRY  
 R.C. \_\_\_\_\_ TEMP. 30° TOWNSHIP LIBERTY  
 \_\_\_\_\_ SECTION 13  
 DWG BY NIESE PID PAVE TRAIN T 6 N R 7 E

TYPE MONUMENT MAG/WASHER  
 ON SURFACE - ~~BELOW~~ ON  
 OFFSET ☉ PAVEMENT ON LT : RT  
10' TO LT EDGE PAVEMENT  
 STATION: 1237+04.1



HORZ.DATUM: NAD83 2011 GEOID: NAVD88 2012A  
 GRID: NORTHING: 664160.667 EASTING: 1555110.592

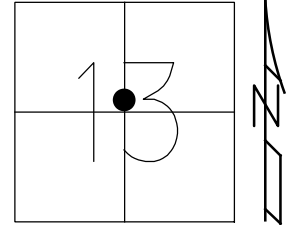
RECORD:  
 FD P.K./WASHER  
 9/9/02, DCH  
 SET MAG/WASHER  
 12/10/02, DCH  
 FD MAG/WASHER  
 2/27/19, JLL  
 FD MAG/WASHER  
 REFA51  
 6/10/20, JFO  
 3/5/21,  
 1/11/23, JMR



O.D.O.T. DISTRICT 2 SURVEY OFFICE (USE ONLY)

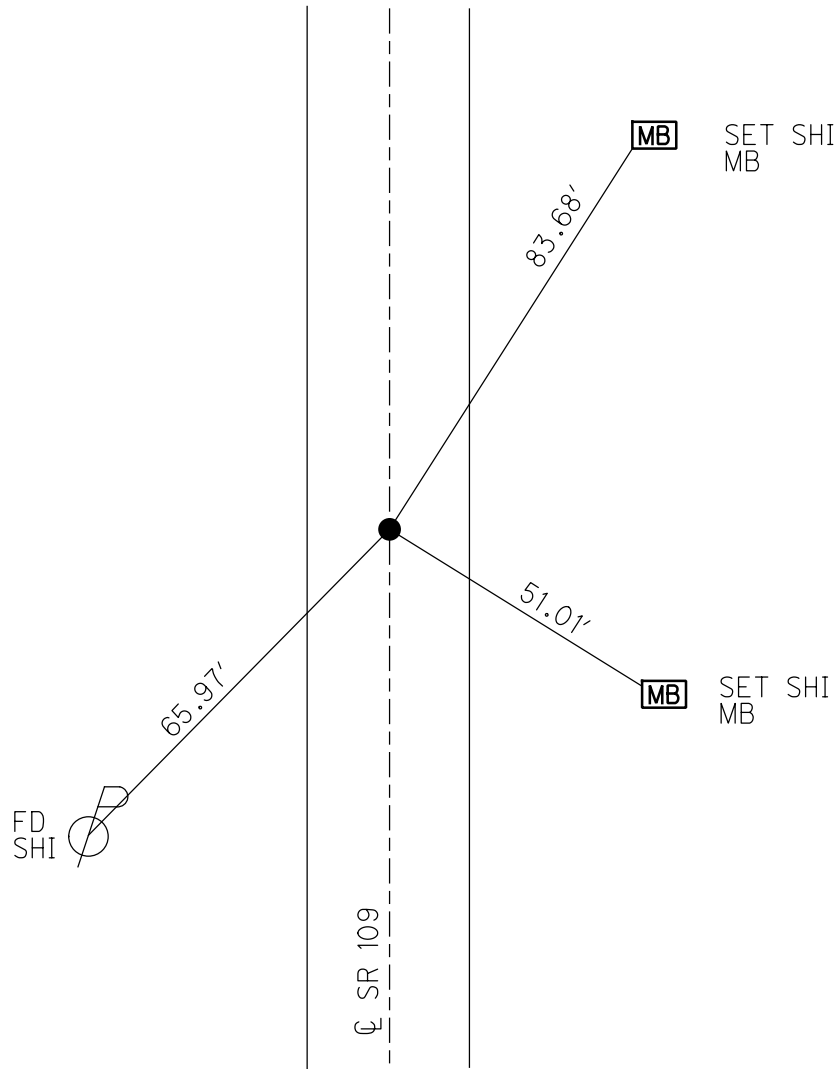
PERSONNEL \_\_\_\_\_ REFERENCE NO. 51 B SHEET 24 OF 31  
 NOTES NIESE DATE 3/5/21 ROUTE SR 109  
 H.C. RHOADES WEATHER SUNNY COUNTY HENRY  
 R.C. \_\_\_\_\_ TEMP. 30° TOWNSHIP LIBERTY  
 DWG BY NIESE PID PAVE TRAIN SECTION 13  
 T 6 N R 7 E

TYPE MONUMENT MAG/WASHER  
 ON SURFACE - ~~BELOW~~ ON  
 OFFSET  $\odot$  PAVEMENT ON LT : RT  
10' TO LT EDGE PAVEMENT  
 STATION: 1238+23.8



HORZ.DATUM: NAD83 2011 GEOID: NAVD88 2012A  
 GRID: NORTHING: 664280.361 EASTING: 1555113.205

RECORD:  
 SET MAG/WASHER  
 12/10/02, DCH  
 FD MAG/WASHER  
 REFB51  
 2/27/19, JLL  
 6/10/20, JFO  
 3/5/21,  
 1/11/23, JMR





O.D.O.T. DISTRICT 2 SURVEY OFFICE (USE ONLY)

PERSONNEL

REFERENCE NO. 51 C

SHEET 25 OF 31

NOTES NIESE

DATE 3/5/21

ROUTE SR 109

H.C. RHOADES

WEATHER SUNNY

COUNTY HENRY

R.C. \_\_\_\_\_

TEMP. 30°

TOWNSHIP LIBERTY

DWG BY NIESE PID PAVE TRAIN

SECTION 13

T 6 N R 7 E

TYPE MONUMENT MAG/WASHER

ON SURFACE - ~~BELOW~~ ON

OFFSET 0 PAVEMENT ON LT : RT

10' TO LT EDGE PAVEMENT

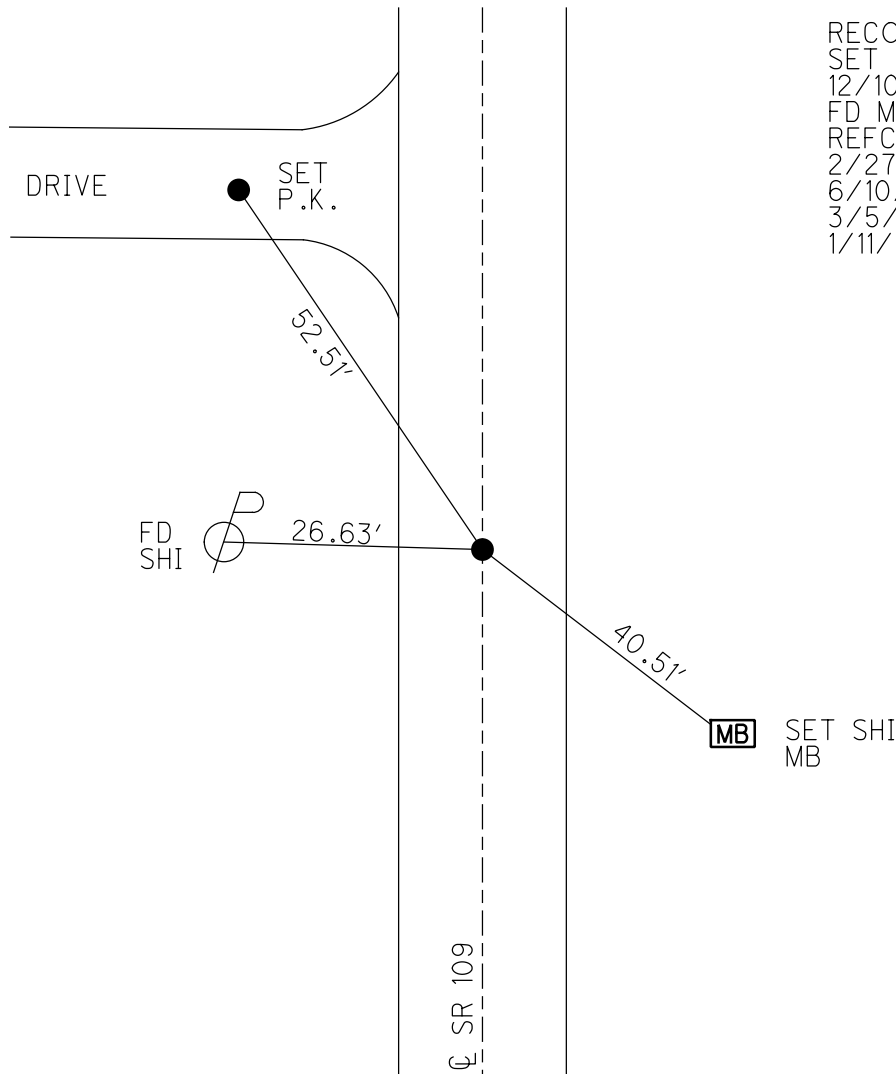
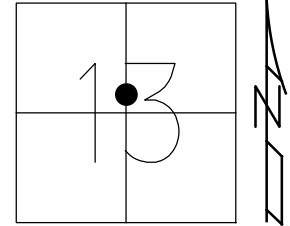
STATION: 1239+44.1

HORZ.DATUM: NAD83 2011

GEOID: NAVD88 2012A

GRID: NORTHING: 664400.625

EASTING: 1555115.007



RECORD:  
 SET MAG/WASHER  
 12/10/02, DCH  
 FD MAG/WASHER  
 REFC51  
 2/27/19, JLL  
 6/10/20, JFO  
 3/5/21,  
 1/11/23, JMR

O.D.O.T. DISTRICT 2 SURVEY OFFICE (USE ONLY)

PERSONNEL

REFERENCE NO. 51 D

SHEET 26 OF 31

NOTES NIESE

DATE 3/5/21

ROUTE SR 109

H.C. RHOADES

WEATHER SUNNY

COUNTY HENRY

R.C. \_\_\_\_\_

TEMP. 30°

TOWNSHIP LIBERTY

DWG BY NIESE

PID PAVE TRAIN

SECTION 13

T 6 N R 7 E

TYPE MONUMENT R.R.SPIKE

~~ON SURFACE~~ - BELOW 4 1/2"

OFFSET  $\odot$  PAVEMENT ON LT : RT

10' TO LT EDGE PAVEMENT

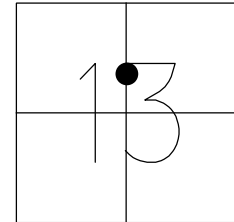
STATION: 1243+20.9

HORZ.DATUM: NAD83 2011

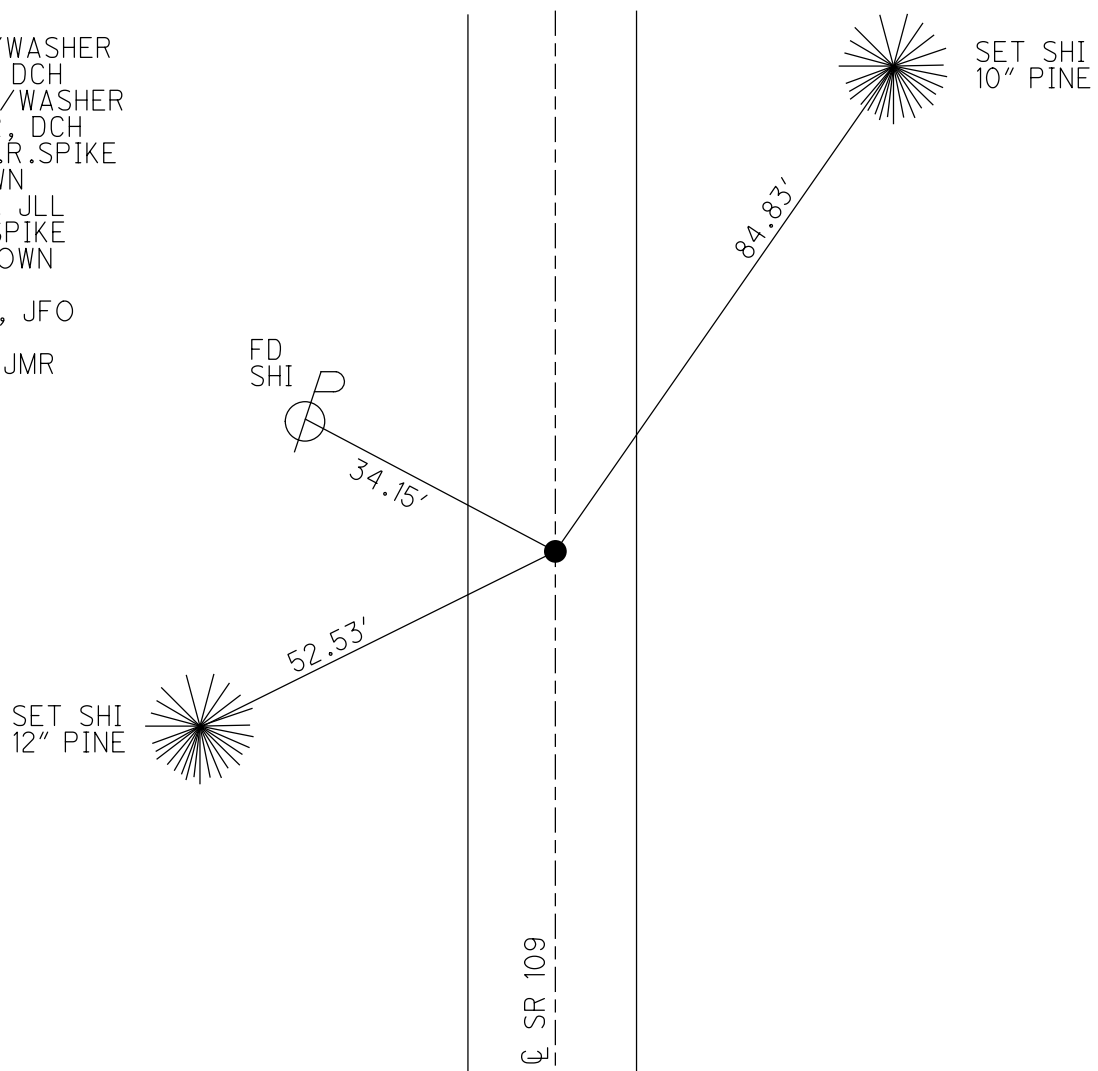
GEOID: NAVD88 2012A

GRID: NORTHING: 664777.252

EASTING: 1555121.541



RECORD:  
 FD P.K./WASHER  
 9/9/02, DCH  
 SET MAG/WASHER  
 12/10/02, DCH  
 FD SM.R.R.SPIKE  
 4.5" DOWN  
 2/27/19, JLL  
 FD R.R.SPIKE  
 4 1/2" DOWN  
 REFD51  
 6/10/20, JFO  
 3/5/21,  
 1/11/23, JMR



O.D.O.T. DISTRICT 2 SURVEY OFFICE (USE ONLY)

PERSONNEL

REFERENCE NO. 51 E

SHEET 27 OF 31

NOTES NIESE DATE 3/5/21  
 H.C. RHOADES WEATHER SUNNY  
 R.C. \_\_\_\_\_ TEMP. 30°

ROUTE SR 109  
 COUNTY HENRY  
 TOWNSHIP LIBERTY  
 SECTION 13  
 T 6 N R 7 E

DWG BY NIESE PID PAVE TRAIN

TYPE MONUMENT LG.R.R.SPIKE

~~ON SURFACE~~ - BELOW 3 1/2"

OFFSET  $\odot$  PAVEMENT 0.4' ~~RT~~ : RT  
11' TO LT EDGE PAVEMENT

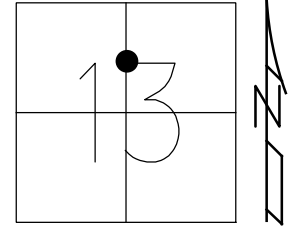
STATION: 1248+77.4

HORZ.DATUM: NAD83 2011

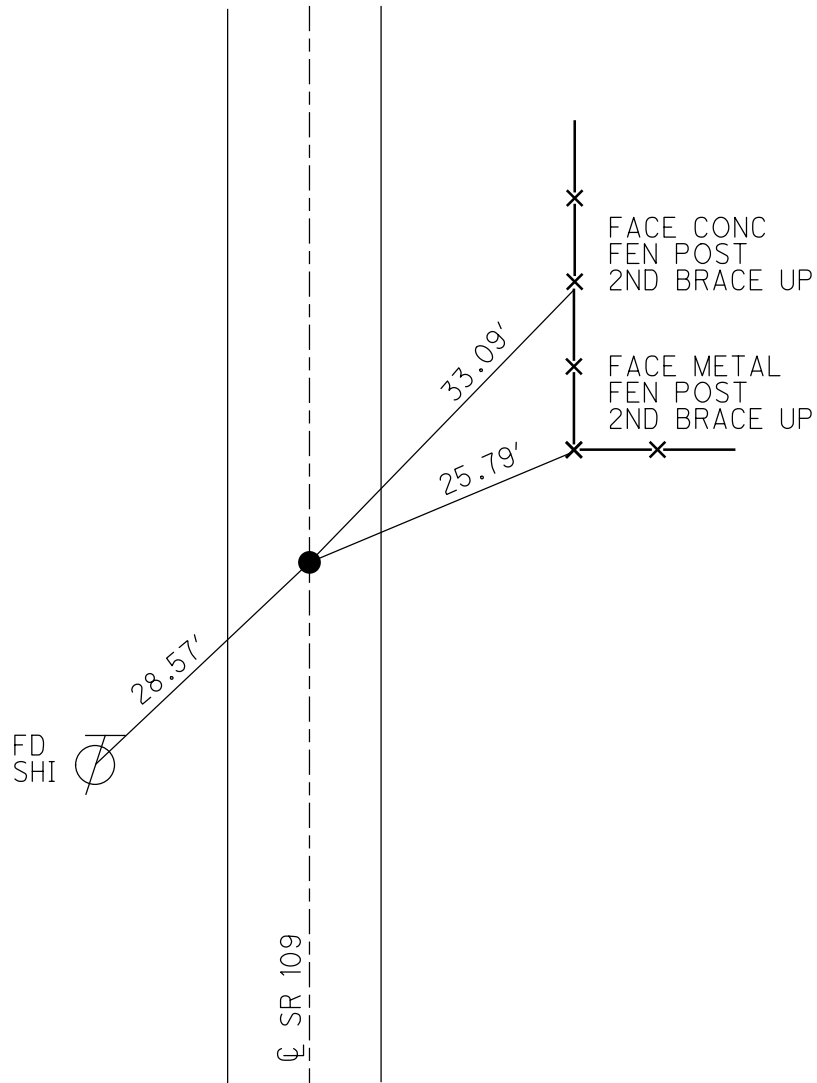
GEOID: NAVD88 2012A

GRID: NORTHING: 665333.939

EASTING: 1555131.434



RECORD:  
 FD R.R.SPIKE  
 9/9/02  
 12/11/02, DCH  
 FD LG.R.R.SPIKE  
 4" DOWN  
 2/27/19, JLL  
 FD LG.R.R.SPIKE  
 3 1/2" DOWN  
 REFE51  
 6/10/20, JFO  
 3/5/21,  
 1/11/23, JMR



O.D.O.T. DISTRICT 2 SURVEY OFFICE (USE ONLY)

PERSONNEL

REFERENCE NO. 51 F

SHEET 28 OF 31

NOTES NIESE DATE 3/5/21  
 H.C. RHOADES WEATHER SUNNY  
 R.C. \_\_\_\_\_ TEMP. 30°

ROUTE SR 109  
 COUNTY HENRY  
 TOWNSHIP LIBERTY  
 SECTION 13  
 T 6 N R 7 E

DWG BY NIESE PID PAVE TRAIN

TYPE MONUMENT MAG/WASHER

ON SURFACE - ~~BELOW~~ ON

OFFSET Q PAVEMENT ON LT : RT  
11' TO LT EDGE PAVEMENT

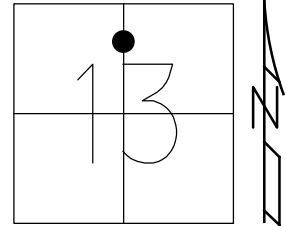
STATION: 1252+48.5

HORZ.DATUM: NAD83 2011

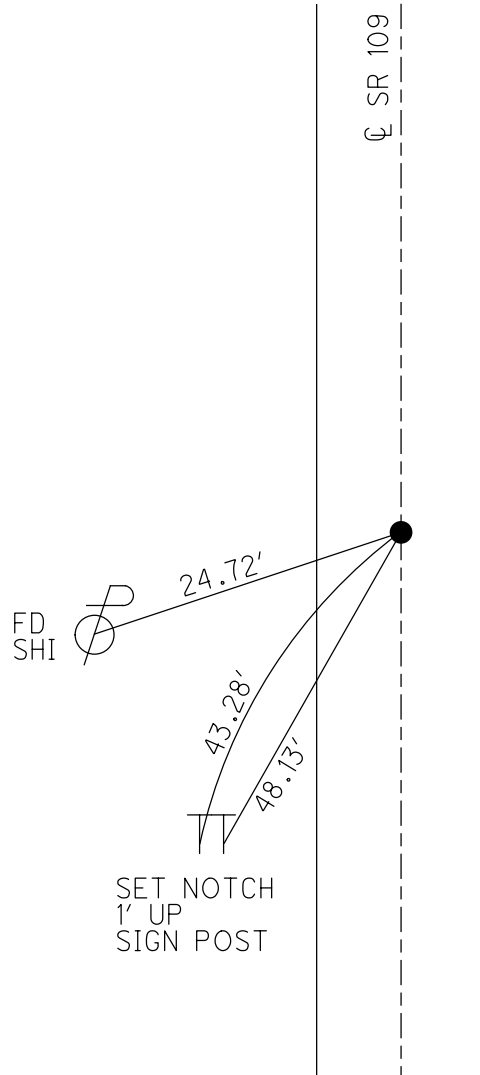
GEOID: NAVD88 2012A

GRID: NORTHING: 665705.078

EASTING: 1555138.108



RECORD:  
 FD R.R.SPIKE  
 9/9/02, DCH  
 SET MAG/WASHER  
 12/10/02, DCH  
 FD MAG/WASHER  
 2/27/19, JLL  
 FD MAG/WASHER  
 REFF51  
 6/9/20, JLL  
 3/5/21,  
 1/11/23, JMR



O.D.O.T. DISTRICT 2 SURVEY OFFICE (USE ONLY)

PERSONNEL

REFERENCE NO. 51 G

SHEET 29 OF 31

NOTES RHOADES

DATE 6/10/20

ROUTE SR 109

H.C. AUBLE

WEATHER CLOUDY

COUNTY HENRY

R.C. O'DONNELL

TEMP. 82°

TOWNSHIP LIBERTY

DWG BY RHOADES PID PAVE TRAIN

SECTION 13

T 6 N R 7 E

TYPE MONUMENT MAG/WASHER

ON SURFACE - ~~BELOW~~ ON

OFFSET 0.6' LT : ~~RT~~

10' TO LT EDGE PAVEMENT

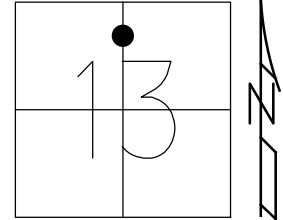
STATION: 1255+80

HORZ.DATUM: NAD83 2011

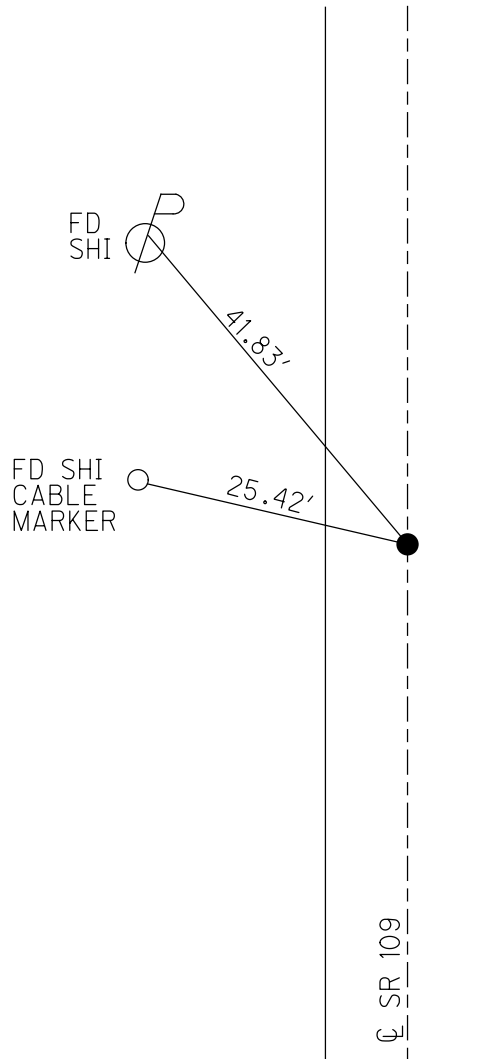
GEOID: NAVD88 2012A

GRID: NORTHING: \_\_\_\_\_

EASTING: \_\_\_\_\_



RECORD:  
FD P.K./WASHER  
9/9/02, DCH  
SET MAG/WASHER  
12/10/02, DCH  
DNF  
2/27/19, JLL  
6/10/20, JFO



O.D.O.T. DISTRICT 2 SURVEY OFFICE (USE ONLY)

PERSONNEL

REFERENCE NO. 51 H

SHEET 30 OF 31

NOTES NIESE

DATE 3/5/21

ROUTE SR 109

H.C. RHOADES

WEATHER SUNNY

COUNTY HENRY

R.C. \_\_\_\_\_

TEMP. 30°

TOWNSHIP LIBERTY

DWG BY NIESE

PID PAVE TRAIN

SECTION 13

T 6 N R 7 E

TYPE MONUMENT MAG/WASHER

ON SURFACE - ~~BELOW~~ ON

OFFSET ☉ PAVEMENT ON LT : RT  
10' TO LT EDGE PAVEMENT

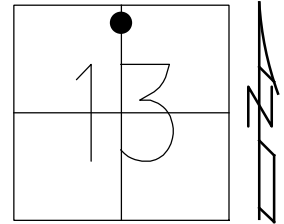
STATION: 1259+80

HORZ.DATUM: NAD83 2011

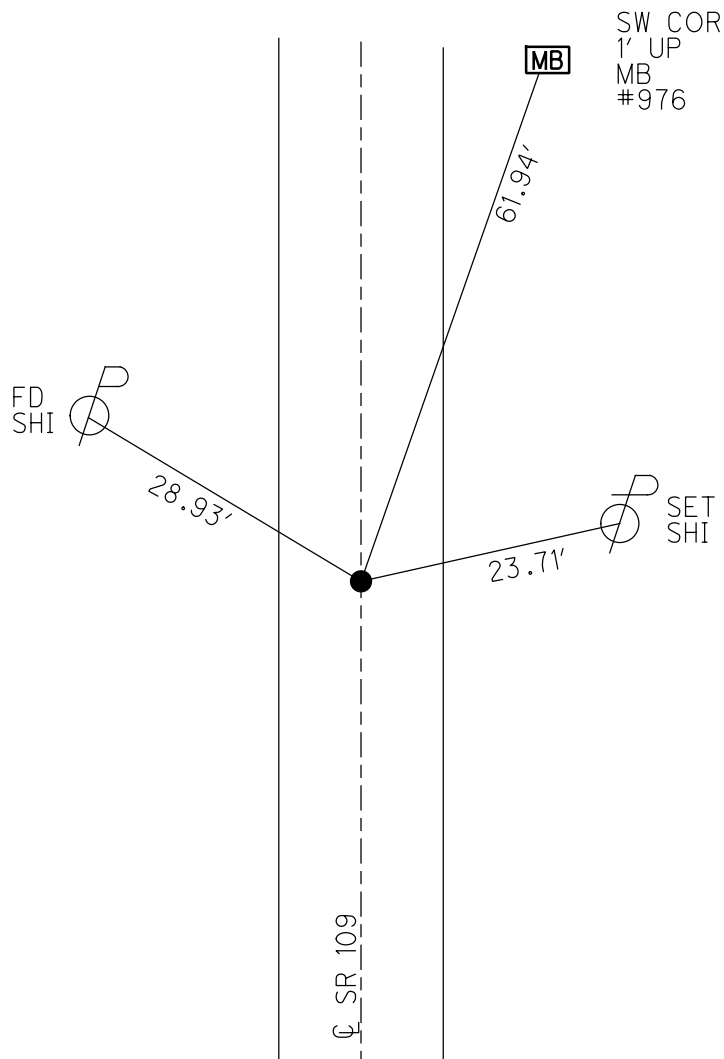
GEOID: NAVD88 2012A

GRID: NORTHING: 666432.994

EASTING: 1555150.963



RECORD:  
 FD P.K./WASHER  
 9/9/02, DCH  
 SET MAG/WASHER  
 12/10/02, DCH  
 FD MAG SHANK  
 SET MAG/WASHER  
 2/27/19, JLL  
 FD MAG/WASHER  
 6/9/20, JLL  
 3/5/21, JMR



O.D.O.T. DISTRICT 2 SURVEY OFFICE (USE ONLY)

PERSONNEL

REFERENCE NO. 52

SHEET 31 OF 31

NOTES NIESE

DATE 3/5/21

ROUTE SR 109

H.C. RHOADES

WEATHER SUNNY

COUNTY HENRY

R.C. \_\_\_\_\_

TEMP. 30°

TOWNSHIP LIBERTY

SECTION 13

DWG BY NIESE

PID PAVE TRAIN

T 6 N R 7 E

TYPE MONUMENT SM.R.R.SPIKE

~~ON SURFACE~~ - BELOW 2"

OFFSET  $\odot$  PAVEMENT ON LT : RT

- TO - EDGE PAVEMENT

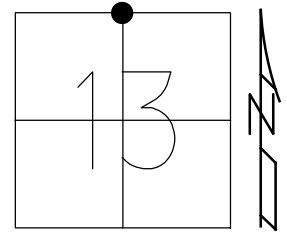
STATION: 1261+80

HORZ.DATUM: NAD83 2011

GEOID: NAVD88 2012A

GRID: NORTHING: 666633.034

EASTING: 1555154.504



RECORD:  
 FD 1.5" IPIN  
 2.5" DOWN  
 1981  
 FD SM.R.R.SPIKE  
 9/9/02  
 12/11/02, DCH  
 FD SM.R.R.SPIKE  
 2" DOWN  
 2/27/19, JLL  
 REF52  
 6/9/20, JLL  
 FD  
 3/5/21, JMR

NOTE: REF 1 FUL 109

