

O.D.O.T. DISTRICT 2 SURVEY OFFICE (USE ONLY)

PERSONNEL

REFERENCE NO. 25

SHEET 12 OF 36

NOTES RHOADES

DATE 6/27/22

ROUTE SR 109

H.C. AUBLE

WEATHER SUNNY

COUNTY HENRY

R.C. RHOADES

TEMP. 67°

TOWNSHIP MONROE

SECTION 2

DWG BY RHOADES PID PAVETRAIN

T 4 N R 7 E

TYPE MONUMENT MAG/WASHER

ON SURFACE - ~~BELOW~~ ON

OFFSET \odot PAVEMENT 2.3' \pm : RT

6.9' TO RT EDGE PAVEMENT

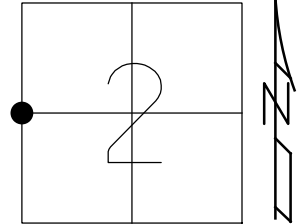
STATION: 604+03.2

HORIZ.DATUM: NAD83 2011

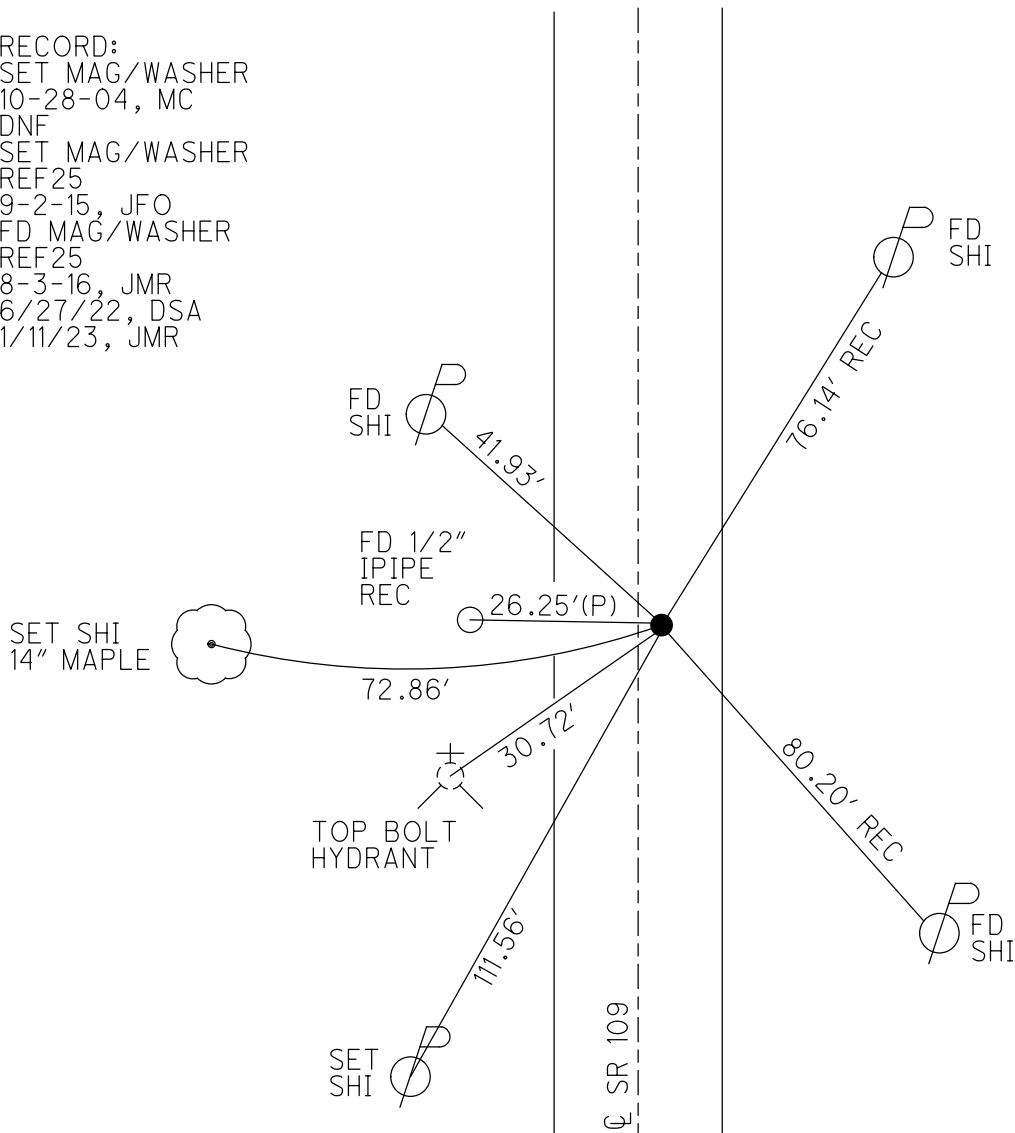
GEOID: NAVD88 2018

GRID: NORTHING: 611188.418

EASTING: 1546181.825



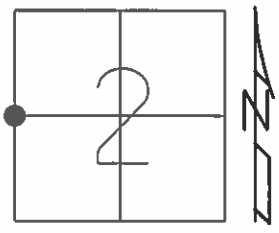
RECORD:
 SET MAG/WASHER
 10-28-04, MC
 DNF
 SET MAG/WASHER
 REF25
 9-2-15, JFO
 FD MAG/WASHER
 REF25
 8-3-16, JMR
 6/27/22, DSA
 1/11/23, JMR



O.D.O.T. DISTRICT 2 SURVEY OFFICE (USE ONLY)

PERSONNEL _____ REFERENCE NO. 25 SHEET 12 OF 38
 NOTES RHOADES DATE 9-3-15 ROUTE SR 109
 H.C. O'DONNELL WEATHER SUNNY COUNTY HENRY
 R.C. RHOADES TEMP. 78°F TOWNSHIP MONROE
 _____ SECTION 2
 _____ T 4 N R 7 E

TYPE MONUMENT MAG/WASHER
 ON SURFACE - ~~BELOW~~ ON
~~LEFT~~ - ℄ PAV'T - RIGHT 2.3'
6.9' TO RT EDGE PAVEMENT
 S.L.M. 610+25



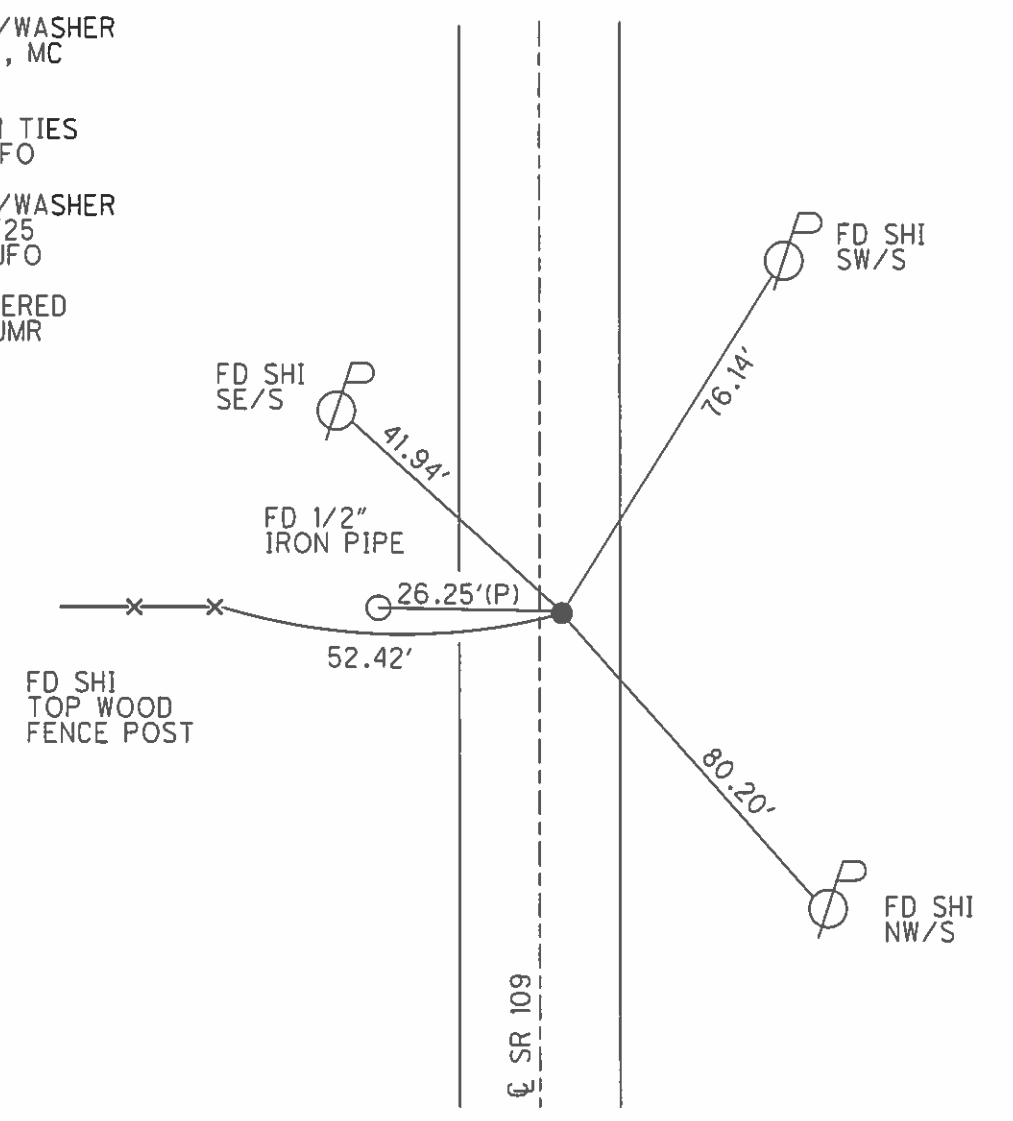
Grid: Northing: 611188.4184 Easting: 1546181.8254

RECORD:
 SET MAG/WASHER
 10-28-04, MC

 DNF
 SET WITH TIES
 9-1-15, JFO

 SET MAG/WASHER
 GPS, REF25
 9-2-15, JFO

 NOT COVERED
 8-3-16, JMR



℄ SR 109

O.D.O.T. DISTRICT 2 SURVEY OFFICE

PERSONNEL

REFERENCE NO. 25

SHEET 11 OF 23

NOTES CANTERBURY

H.C. BARNHISEL

R.C. HOOVER

DATE 8-31-04

WEATHER SUN

TEMP. +70°

ROUTE SR 109

COUNTY HENRY

TOWNSHIP MONROE

SECTION 2

T U N R T E

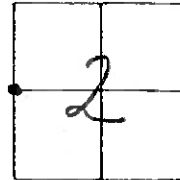
TYPE MONUMENT LG R.R. SPK.

ON SURFACE - ~~BELOW~~ 2" Down

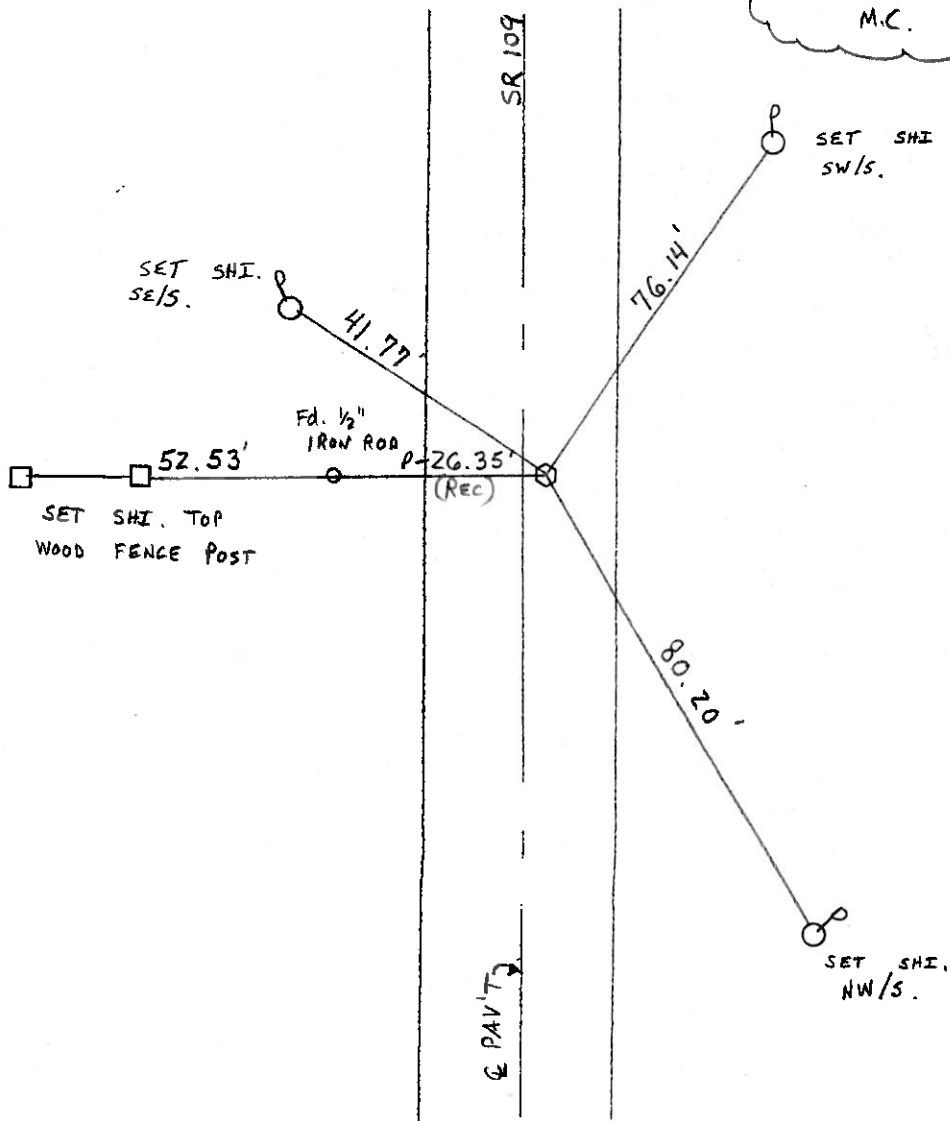
~~LEFT - C~~ PAV'T. - RIGHT 2.3' Rt E

6.9' TO RT. EDGE PAVEMENT

S.L.M. 610 + 25



RESET MAG/WASHER
10/28/04
M.C.



O.D.O.T. DISTRICT 2 SURVEY OFFICE

PERSONNEL

REFERENCE NO. 25

SHEET _____ OF _____

NOTES BARNHISEL

H.C. VAN DUSEN

R.C. BARNHISEL

DATE 8-13-93

WEATHER SUNNY

TEMP. +80°F

ROUTE SR 109

COUNTY HENRY

TOWNSHIP MONROE

SECTION 2

T 4 N R 7 E

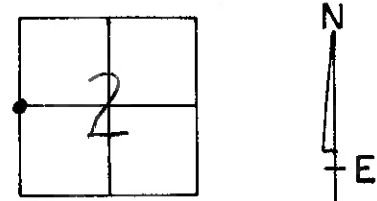
TYPE MONUMENT LARGE RR/SPK.

ON SURFACE - ~~BELOW~~ YES

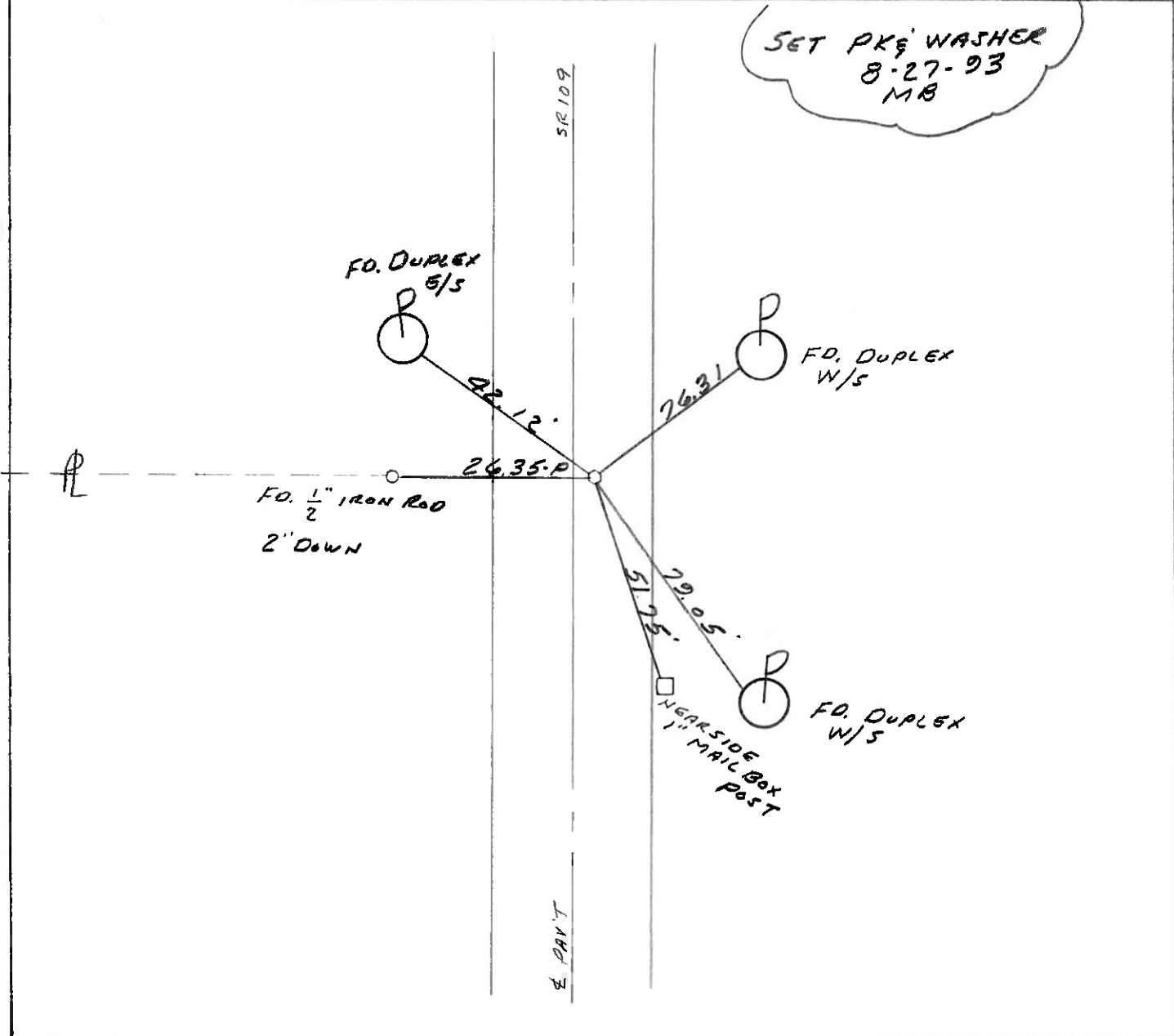
LEFT - ~~CL~~ PAV'T. - RIGHT 2.8

2.2 TO RT. EDGE PAVEMENT

S.L.M. 610+14



SET PK& WASHER
8-27-93
MB



O.D.O.T. DISTRICT 2 SURVEY OFFICE

PERSONNEL

REFERENCE NO. 25

SHEET OF

NOTES Barnhiser

H.C. Hoffman

DATE 4-8-85

ROUTE 109

R.C. Loehrke

WEATHER cloudy

COUNTY Henry

TEMP. +35°

TOWNSHIP Monroe

SECTION 2

T 4 N R 7 E

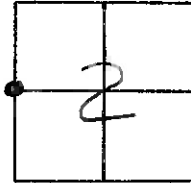
TYPE MONUMENT 49 RR/SPK

ON SURFACE - BELOW ✓

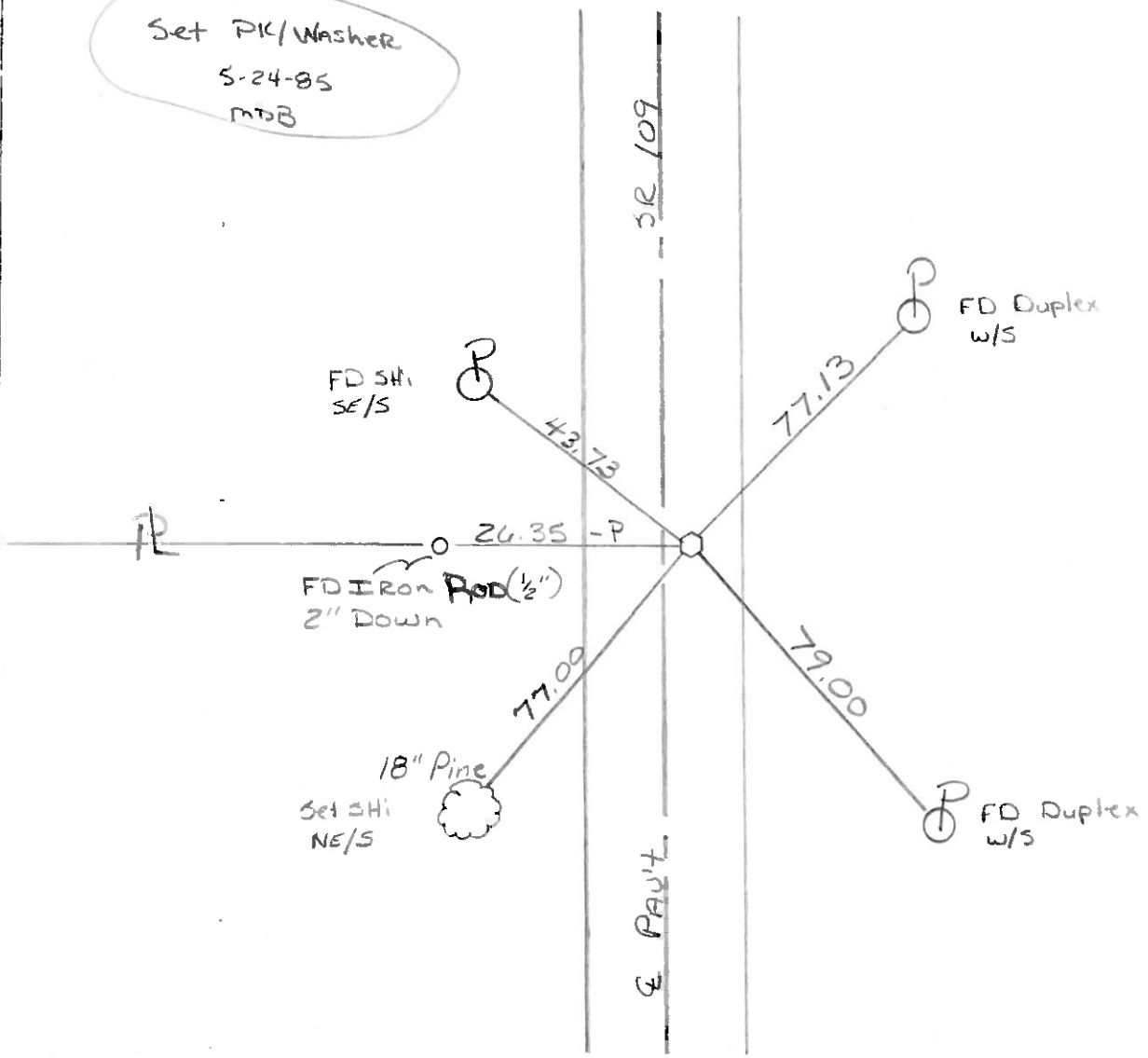
LEFT - & PAV'T. - RIGHT 2.5

5.9 TO R+ EDGE PAVEMENT

S.L.M. 609+54



Set PK/Washer
5-24-85
MDB

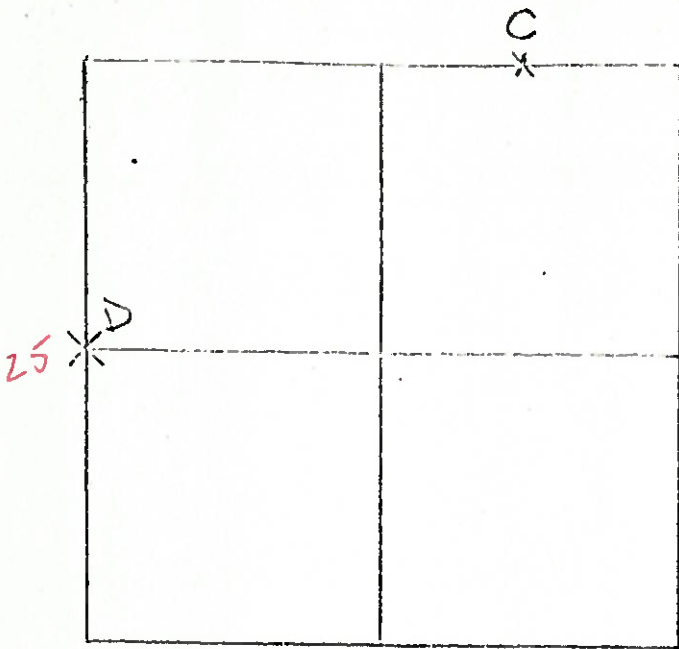


COUNTY HENRY S.R. 109

SHEET 2 of 2
T 1 N R 7 E

TOWNSHIP MONROE

SECTION 2



3-6-79
R.W. J.J. D.B.

C - FD. RECOVERED IRON PIN 6" NORTH &
 3 1/2" EAST OF CENTER OF FLAT
 TOP OF STONE. STONE MEASURES
 10" x 8" x 6" AND IS 10" BELOW
 ROAD SURFACE. RECOVERED IRON PIN
 AND PLACED CENTER PUNCHED R.R.
 SPIKE OVER CENTER OF STONE AT
 ROAD SURFACE. P.K.'S 6' N & E

STONE IS IN CENTER OF 18' PAVEMENT.

64.05' E.S.E. TO DUPLEX IN N/S

29.53' S TO IRON PIN (PLUMBED)

90.05' W.N.W. TO DUPLEX IN S/S

60.83' W.N.W. TO IRON PIN (PLUMBED)

7-9-79 R.W. J.J. G.M.

D - RECOVERED NAIL AND SPOKE DESTROYED DURING CONSTRUCTION
 OF CROSS TIE. RE-ESTABLISHED BY POST BY SURVEY
 APPROPRIATE MEASUREMENTS ALONG WEST LINE OF
 2" MONROE TWP. PLACED CENTER PUNCHED R.R. SPIKE
 ON SURFACE. R.R. SPIKE IS 6.5' WEST OF
 EAST EDGE OF 18' PAVEMENT. P.K. SET 6' N & E
 48.93' N.W. TO DUPLEX N.E/S
 77.15' N.N.E TO DUPLEX W/S
 79.05' S.S.E. TO DUPLEX W/S
 26.33' W TO (5" DIA) IRON PIPE

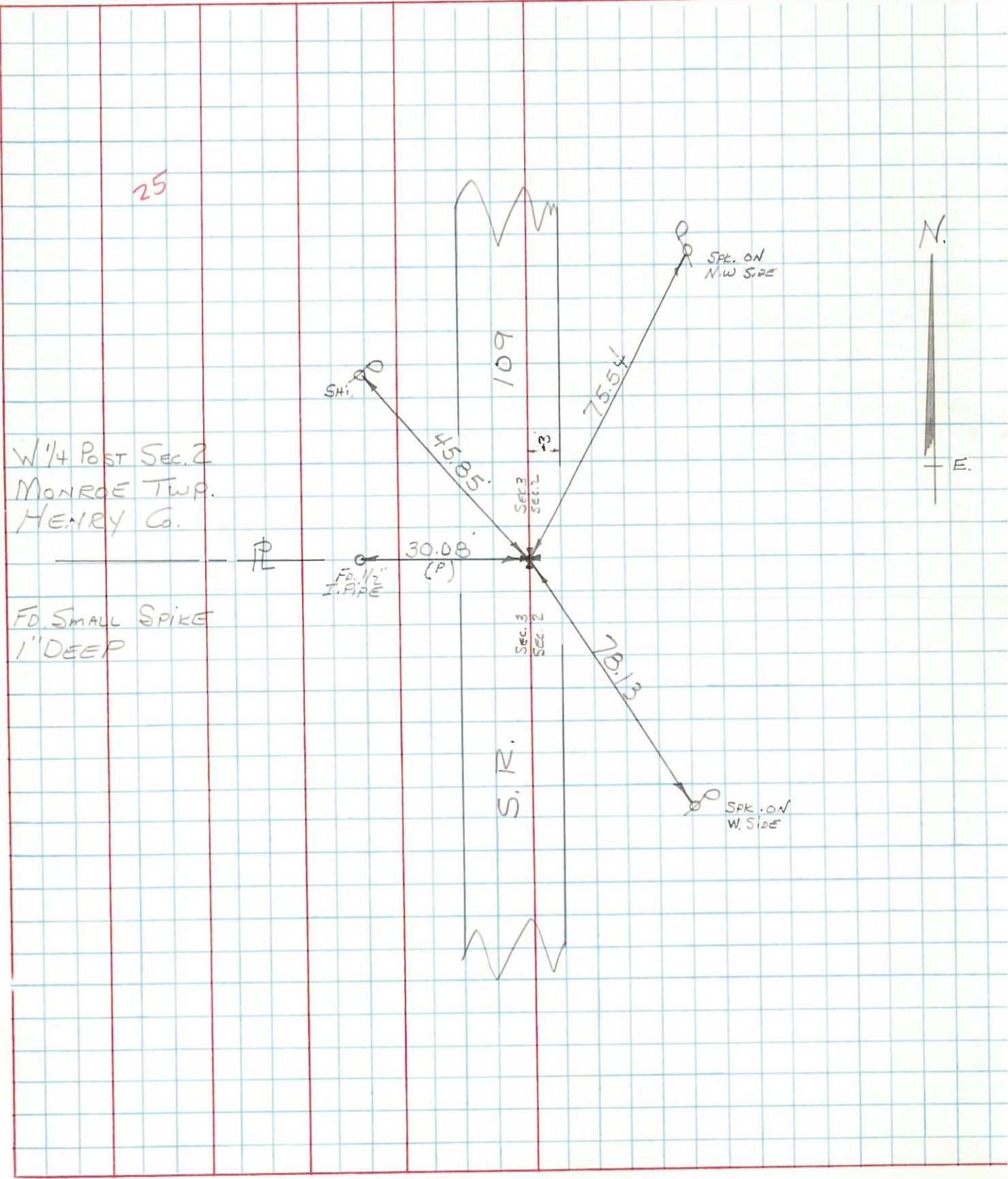
PERSONNEL	TITLE	PERSONNEL	TITLE
BURNSIDE			
SMITH			
Tomsic			
MEAD			

COUNTY HENRY DATE 9-16-76

S. R. 109 WEATHER CLOUDY-SHOWER

SEC. W 1/4 Post SEC. 2 TEMP. +68°

DESCRIPTION REF. TO POINTS FD. BEFORE RESURFACING. JOB NO. _____



25

W 1/4 Post Sec. 2
MONROE TWP.
HENRY Co.

FD. SMALL SPIKE
1" DEEP

