

O.D.O.T. DISTRICT 2 SURVEY OFFICE (USE ONLY)

PERSONNEL _____ REFERENCE NO. 27 SHEET 15 OF 36

NOTES RHOADES DATE 6/27/22
 H.C. AUBLE WEATHER SUNNY
 R.C. RHOADES TEMP. 67°

ROUTE SR 109
 COUNTY HENRY
 TOWNSHIP HARRISON
 SECTION 35

DWG BY RHOADES PID PAVETRAIN

T 5 N R 7 E

TYPE MONUMENT MAG/WASHER

ON SURFACE - ~~BELOW~~ ON

OFFSET 6.6' LT : RT

3' TO RT EDGE PAVEMENT

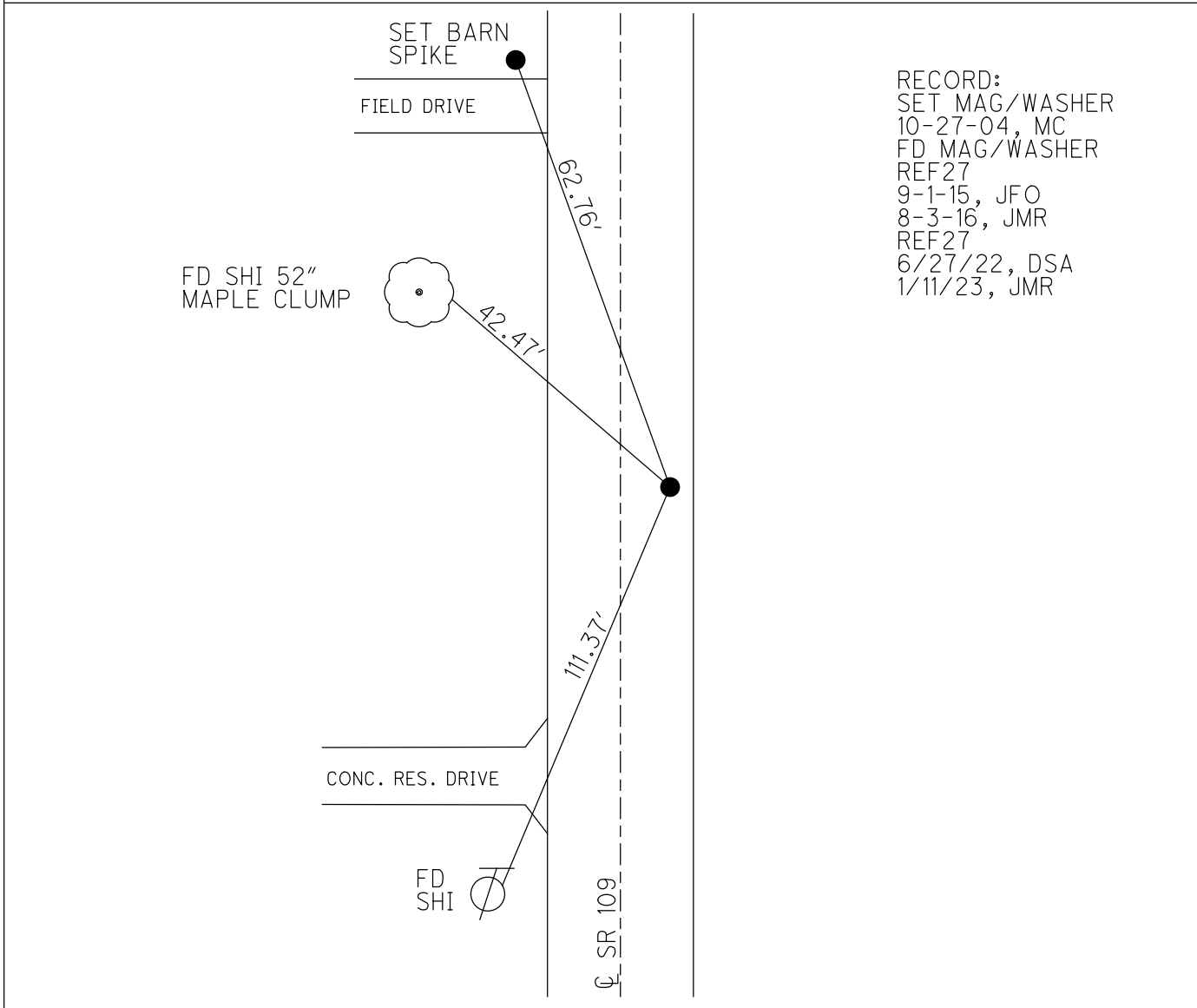
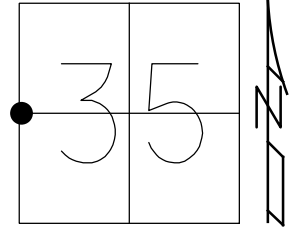
STATION: 664+75.2

HORIZ.DATUM: NAD83 2011

GEOID: NAVD88 2018

GRID: NORTHING: 616639.985

EASTING: 1546155.462



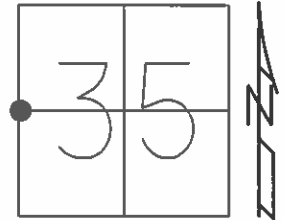
RECORD:
 SET MAG/WASHER
 10-27-04, MC
 FD MAG/WASHER
 REF27
 9-1-15, JFO
 8-3-16, JMR
 REF27
 6/27/22, DSA
 1/11/23, JMR

O.D.O.T. DISTRICT 2 SURVEY OFFICE (USE ONLY)

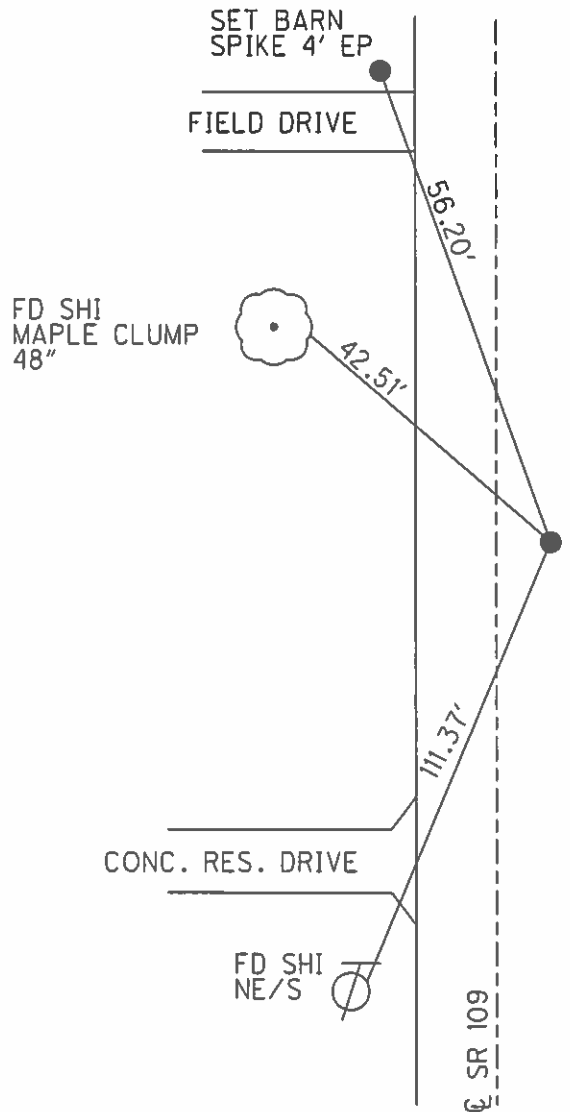
PERSONNEL _____ REFERENCE NO. 27 SHEET 15 OF 38

NOTES RHOADES DATE 9-3-15 ROUTE SR 109
 H.C. O'DONNELL WEATHER CLEAR COUNTY HENRY
 R.C. RHOADES TEMP. 88°12 TOWNSHIP HARRISON
 _____ SECTION 35
 _____ T 5 N R 7 E

TYPE MONUMENT MAG/WASHER
 ON SURFACE - ~~BELOW~~ ON _____
~~LEFT~~ - Q PAV'T - RIGHT 6.6'
3.0' TO RT EDGE PAVEMENT
 S.L.M. 664+60
 Grid: Northing: 616639.9854 Easting: 1546155.4620



RECORD:
 SET MAG/WASHER
 10-27-04, MC
 FD MAG/WASHER
 GPS, REF27
 9-1-15, JFO
 NOT COVERED
 8-3-16, JMR



O.D.O.T. DISTRICT 2 SURVEY OFFICE

PERSONNEL

REFERENCE NO. 27

SHEET 13 OF 23

NOTES CANTERBURY

H.C. BARNHISEL

R.C. HOOVER

DATE 8-31-04

WEATHER SUN

TEMP. +75°

ROUTE SR 109

COUNTY HENRY

TOWNSHIP HARRISON

SECTION 35

T5 N R 7 E

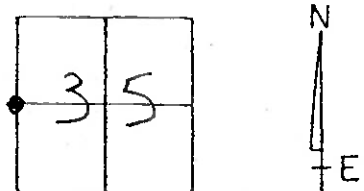
TYPE MONUMENT P.K. / WASHER

ON SURFACE - ~~BELOW~~ SURFACE

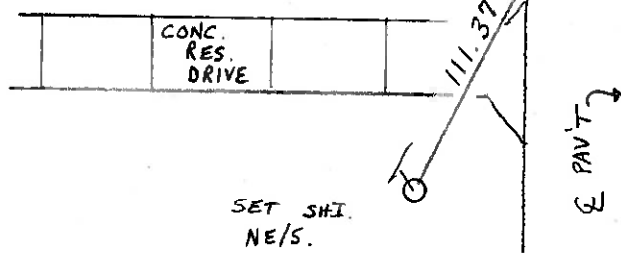
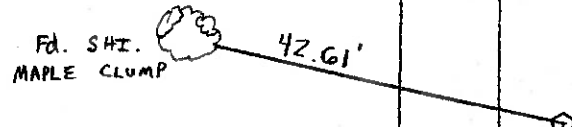
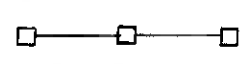
~~LEFT~~ - PAV'T. - RIGHT 6.6' RT E

3.0' TO RT. EDGE PAVEMENT

S.L.M. 664 + 60



RESET MAG/WASHER
10/27/04
M.C.



O.D.O.T. DISTRICT 2 SURVEY OFFICE

PERSONNEL

REFERENCE NO. 27

SHEET OF

NOTES BARNHISEL

H.C. VAN DUSEN

DATE 8-13-93

ROUTE SR 109

R.C. BARNHISEL

WEATHER SUNNY

COUNTY HENRY

TEMP. +80° F

TOWNSHIP HARRISON

SECTION 35

T 5 N R 7 E

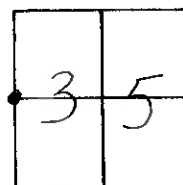
TYPE MONUMENT LG. RR/SPK.

ON SURFACE - BELOW 1"

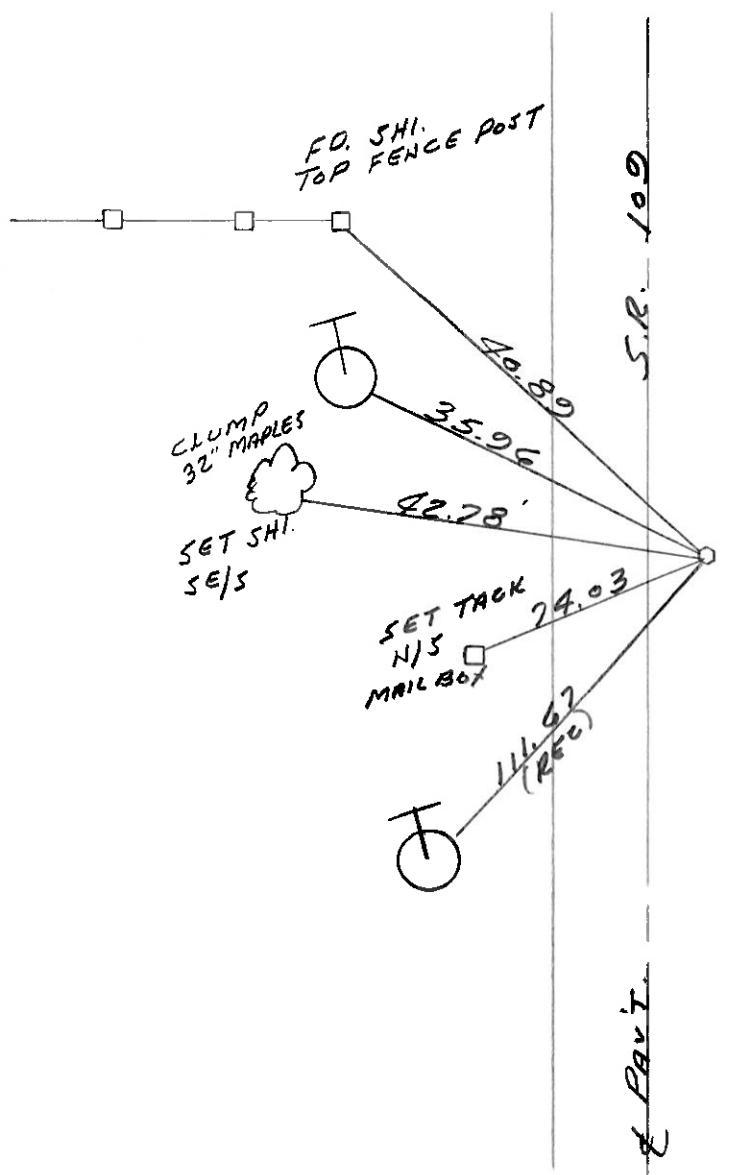
LEFT- & PAV'T. - RIGHT 2.0'

3.6 TO RT. EDGE PAVEMENT

S.L.M. 664 + 60



SET PK& WASHER
8-27-93
MB



O.D.O.T. DISTRICT 2 SURVEY OFFICE

PERSONNEL _____

REFERENCE NO. 27

SHEET _____ OF _____

NOTES Baerhiesel

H.C. Hoffman

R.C. Loehrke

DATE 4-8-85

WEATHER cloudy

TEMP. +35°

ROUTE 109

COUNTY Henry

TOWNSHIP HARRISON

SECTION 35

T 5 N R 7 E

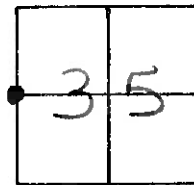
TYPE MONUMENT Lg RR/SPK

~~ON SURFACE~~ - BELOW 1"

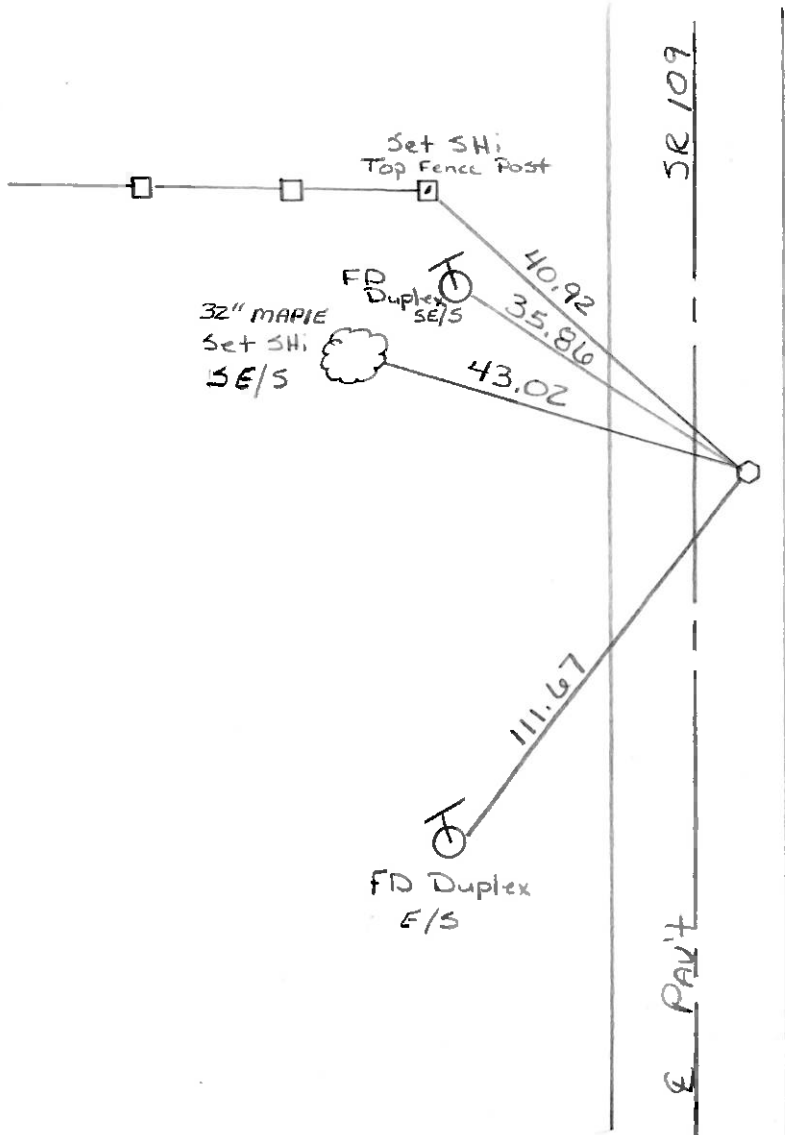
~~LEFT - & PAV'T.~~ - RIGHT 6.8

Z.S. TO RT EDGE PAVEMENT

S.L.M. 664+12



Set PK/Washer
5-24-85
MDR



PERSONNEL	TITLE	PERSONNEL	TITLE
BURNSIDE			
SMITH			
TOMASIC			
MEAD			

COUNTY HENRY DATE 9-16-76
 S. R. 109 WEATHER CLOUDY-SHOWE
 SEC. W 1/4 Post SEC 35 TEMP. +68°

DESCRIPTION REF. TO CONTROL POINTS JOB NO. _____
 LEFT CENTER LINE RIGHT

