

O.D.O.T. DISTRICT 2 SURVEY OFFICE (USE ONLY)

PERSONNEL

REFERENCE NO. 34

SHEET 24 OF 39

NOTES RHOADES

DATE 9/3/15

ROUTE SR 109

H.C. O'DONNELL

WEATHER CLEAR

COUNTY HENRY

R.C. RHOADES

TEMP. 88°

TOWNSHIP HARRISON

SECTION 14

DWG BY RHOADES PID PAVTRAIN

T 5 N R 7 E

TYPE MONUMENT MAG/WASHER

ON SURFACE - ~~BELOW~~ ON

OFFSET ☉ PAVEMENT ON LT : RT

9.2' TO LT EDGE PAVEMENT

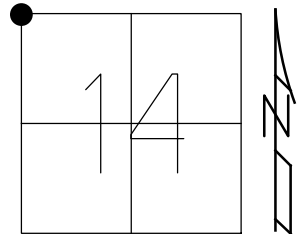
STATION: 849+80

HORZ.DATUM: NAD83 2011

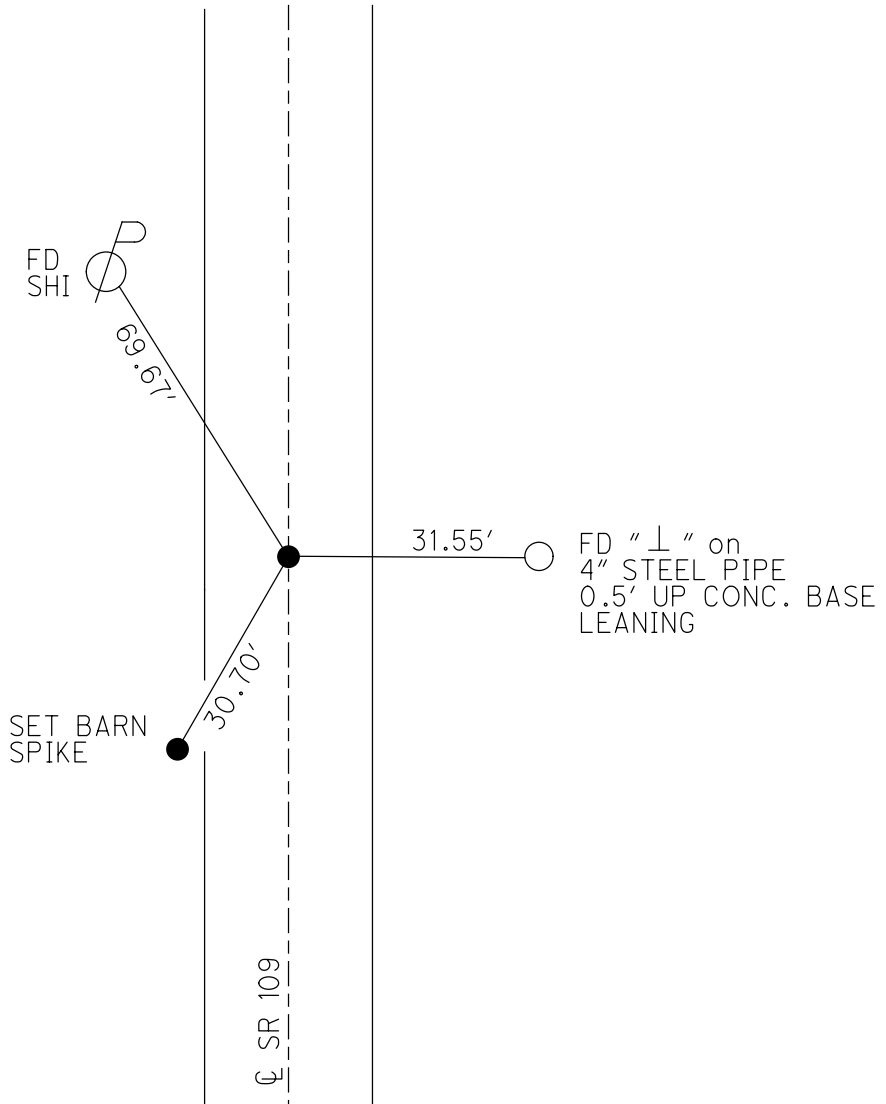
GEOID: NAVD88 2018

GRID: NORTHING: 635168.377

EASTING: 1546536.930



RECORD:  
 SET MAG/WASHER  
 9-15-04, MC  
 FD MAG/WASHER  
 REFB30  
 9-1-15, JFO  
 8-3-16, JMR  
 FD MAG/WASHER  
 REF34  
 6/16/21, TDN  
 10/5/21, JFO



O.D.O.T. DISTRICT 2 SURVEY OFFICE (USE ONLY)

PERSONNEL \_\_\_\_\_ REFERENCE NO. 34 SHEET 24 OF 38

NOTES RHOADES DATE 9-3-15 ROUTE SR 109

H.C. O'DONNELL WEATHER CLEAR COUNTY HENRY

R.C. RHOADES TEMP. 88°F TOWNSHIP HARRISON

SECTION 14

T 5 N R 7 E

TYPE MONUMENT MAG/WASHER

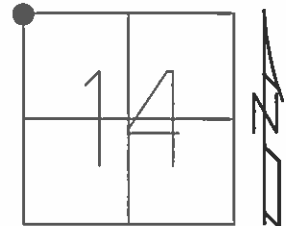
ON SURFACE - ~~BELOW~~ ON

LEFT - ☉ PAV'T - RIGHT ON

9.2' TO LT EDGE PAVEMENT

S.L.M. 849+80

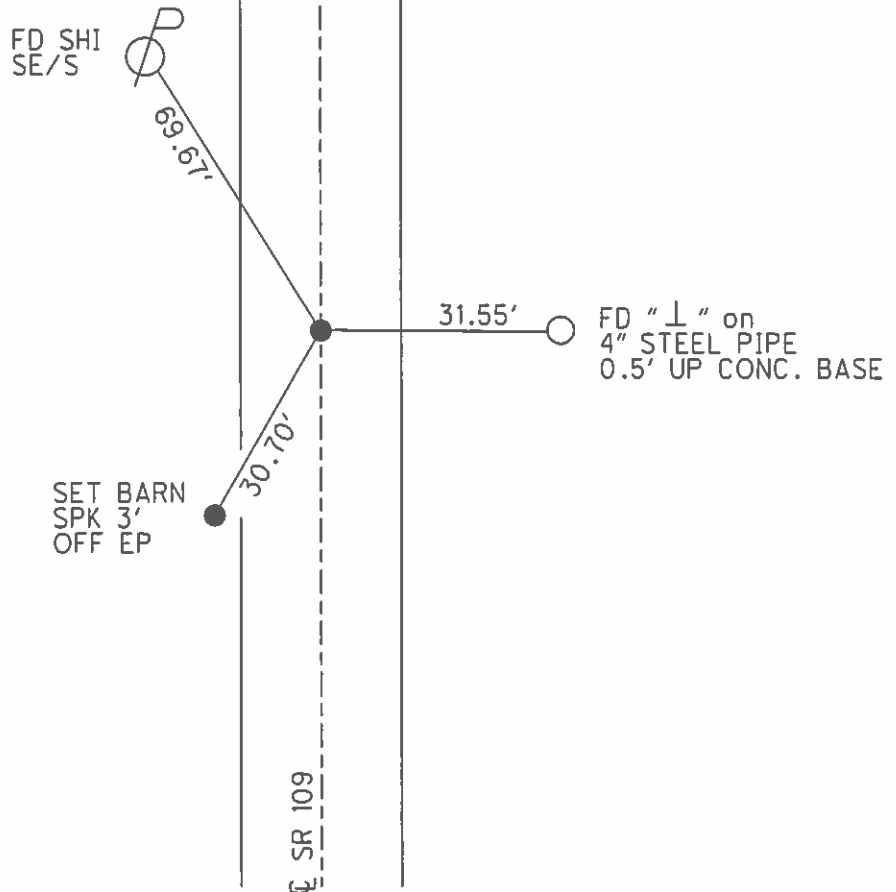
Grid: Northing: 635168.3748 Easting: 1546536.9299



RECORD:  
SET MAG/WASHER  
9-15-04, MC

FD MAG/WASHER  
GPS, REFB30  
9-1-15, JFO

UNCOVERED  
8-3-16, JMR



O.D.O.T. DISTRICT 2 SURVEY OFFICE

PERSONNEL

REFERENCE NO. 34

SHEET 22 OF 23

NOTES CORDES

H.C. BARNHISEL

R.C. HOOGER

MC-DRAWING

DATE 8/27/04

WEATHER OVERCAST

TEMP. + 80°

ROUTE 109

COUNTY HENRY

TOWNSHIP HARRISON

SECTION 14

T 5 N R 7 E

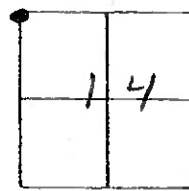
TYPE MONUMENT P.K. / WASHER

ON SURFACE - ~~BELOW~~ SURFACE

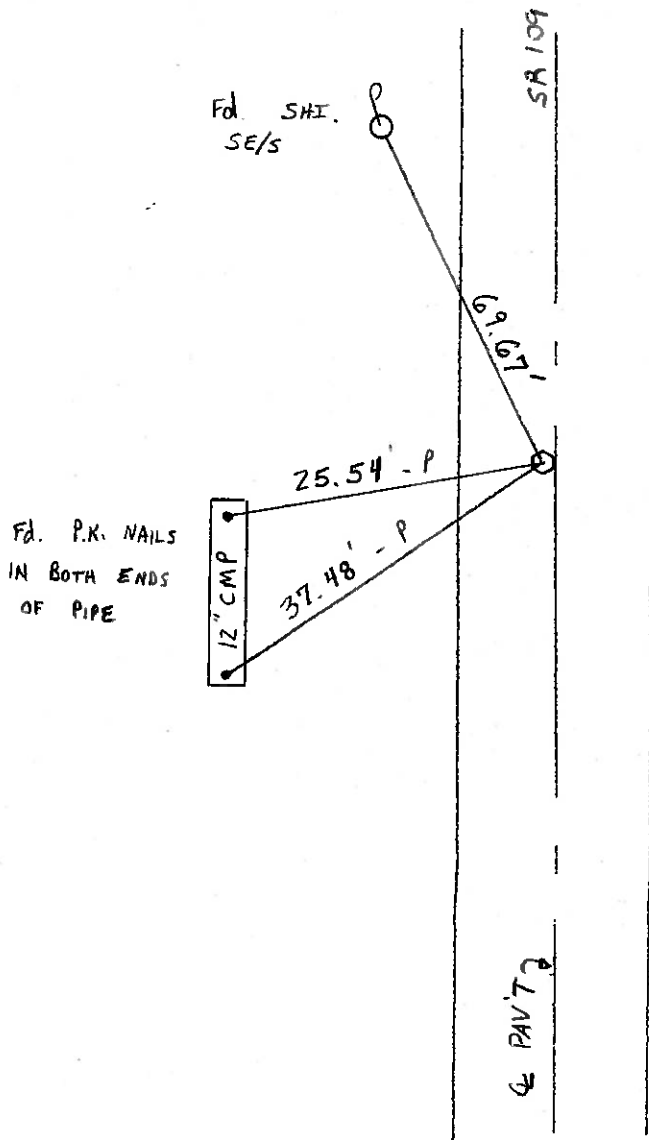
LEFT - ¢ PAV'T. - ~~RIGHT~~ 1.3' LT &

9.2 TO LT. EDGE PAVEMENT

S.L.M. 849 + 80



RESET MAG/WASHER  
9/15/04  
M.C.



# O.D.O.T. DISTRICT 2 SURVEY OFFICE

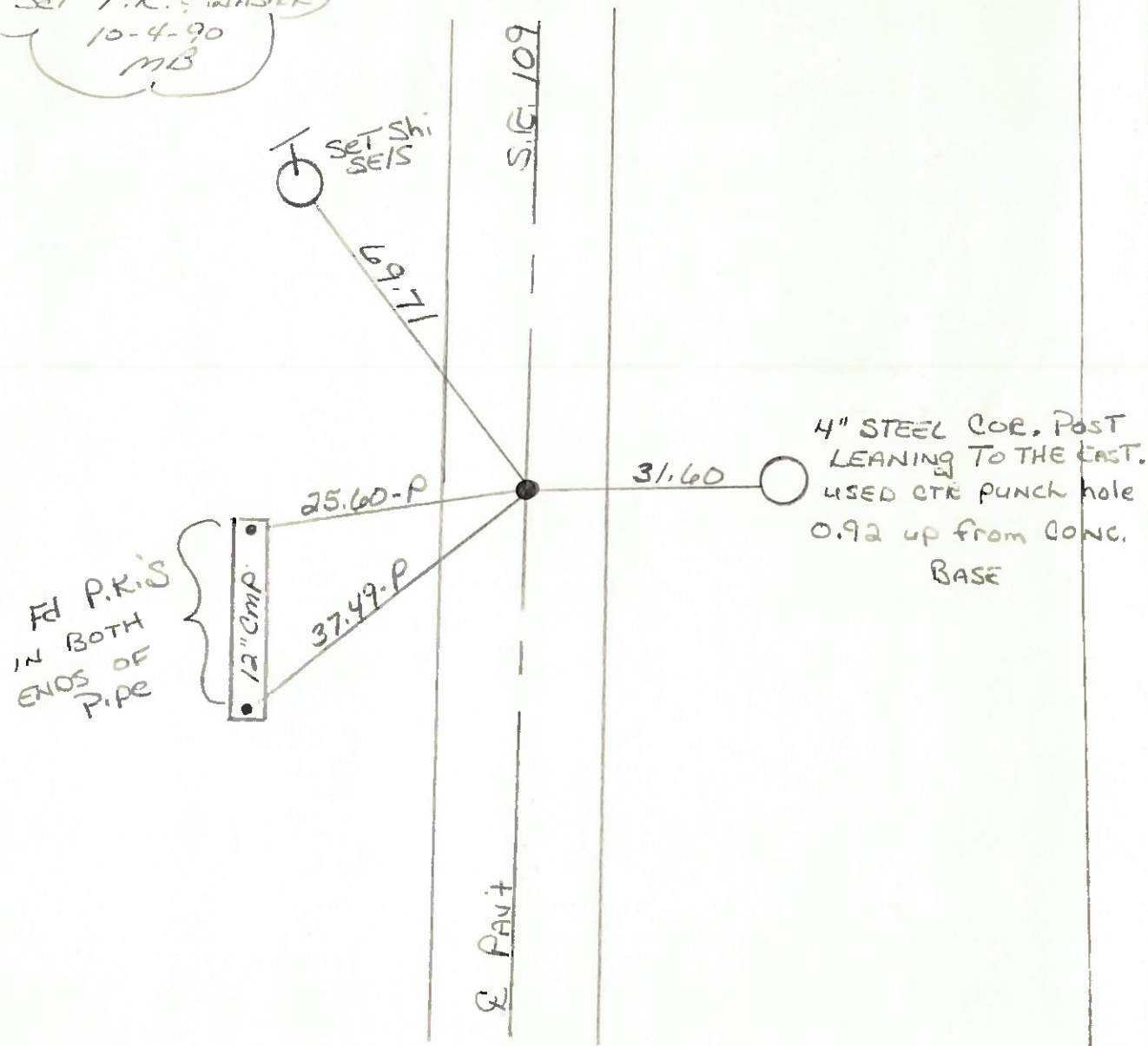
PERSONNEL \_\_\_\_\_ REFERENCE NO. 34 SHEET \_\_\_\_\_ OF \_\_\_\_\_

NOTES BAENHISEL ROUTE 109  
 H.C. " " DATE 9-25-90 COUNTY HENRY  
 R.C. HOFFMAN WEATHER clear-windy TOWNSHIP HARRISON  
 \_\_\_\_\_ TEMP. +70° SECTION 14  
 \_\_\_\_\_ T. S N. R E.

TYPE MONUMENT P.K. & Washer  
 ON SURFACE - BELOW yes  
 LEFT- & PAV'T. - RIGHT 0.3  
10.270 - EDGE PAVEMENT  
 S.L.M. 849 + 80



Set P.K. & Washer  
 10-4-90  
 MB



4" STEEL COR. POST  
 LEANING TO THE EAST.  
 USED CTR PUNCH HOLE  
 0.92 UP FROM CONC.  
 BASE

FD P.K.'S  
 IN BOTH  
 ENDS OF  
 PIPE

ODOT DISTRICT 2 SURVEY OFFICE

SHEET \_\_\_\_\_ OF \_\_\_\_\_

County HENRY S.R. 109

Date 3-19-84

Township HARRISON

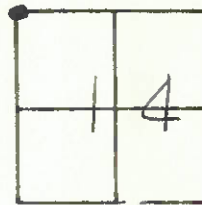
Weather OVERCAST

Section 14

Temp. +30°

T5N, R7E

Personnel HOFFMAN



LOHRKE

HOUSEHOLDER R.C.

BARHISEL H.C.

#34

Fd R.R. SPK/CTR PUNCH @ SURFACE

SLM 849+90

1.5' LT. of & PAUT

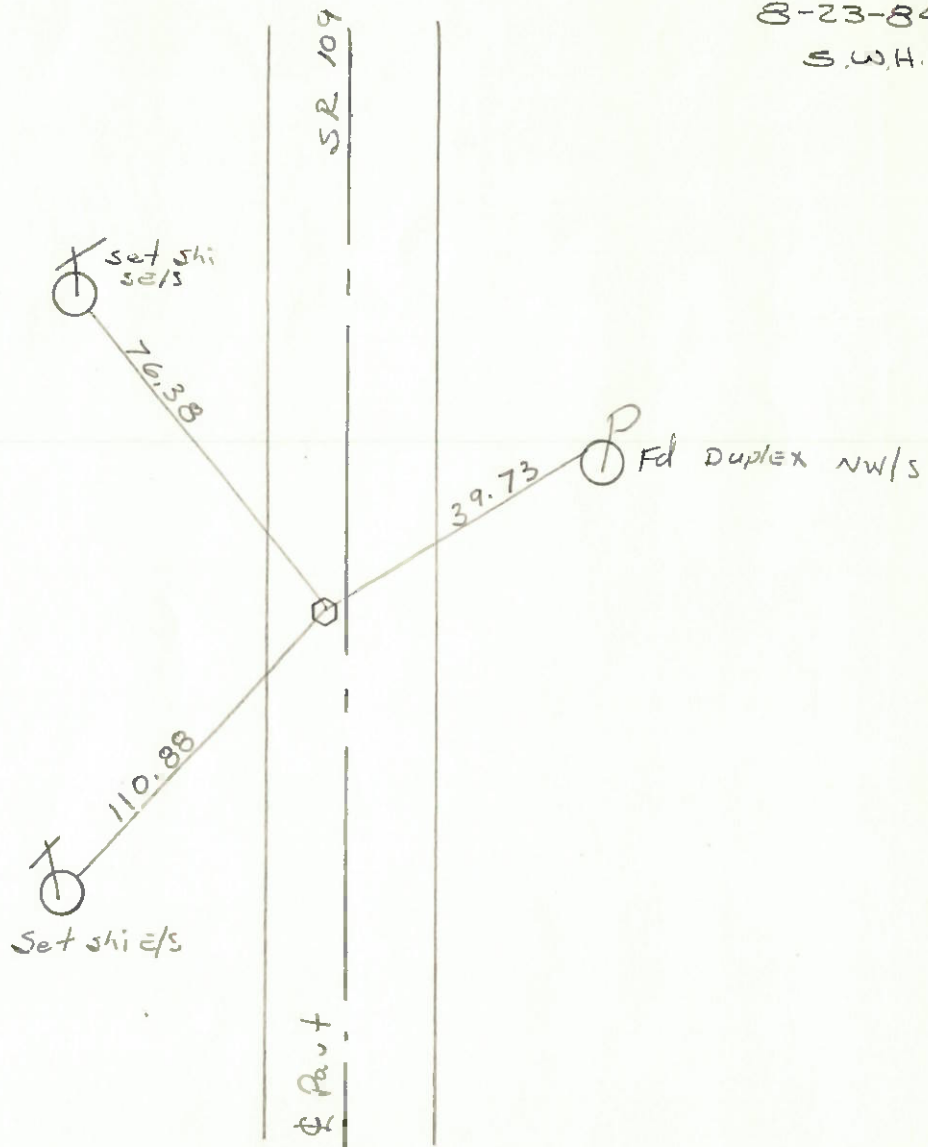
SET PK/WASHER

8.0' TO LT. EP

8-23-84

10.1' TO RT. EP

S.W.H.



PERSONNEL	TITLE	PERSONNEL	TITLE	COUNTY	DATE
Tovmsic				HENRY	DEC. 14, 1973
Neuser				S. R. 109	WEATHER Fair
Grinata				SEC.	TEMP. 22°
Janya					JOB NO.

