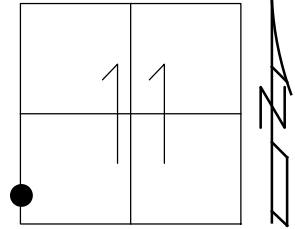


O.D.O.T. DISTRICT 2 SURVEY OFFICE (USE ONLY)

PERSONNEL _____ REFERENCE NO. 35 SHEET 25 OF 39
 NOTES RHOADES DATE 9/3/15 ROUTE SR 109
 H.C. O'DONNELL WEATHER CLEAR COUNTY HENRY
 R.C. RHOADES TEMP. 88° TOWNSHIP HARRISON
 DWG BY RHOADES PID PAVTRAIN SECTION 11
 T 5 N R 7 E

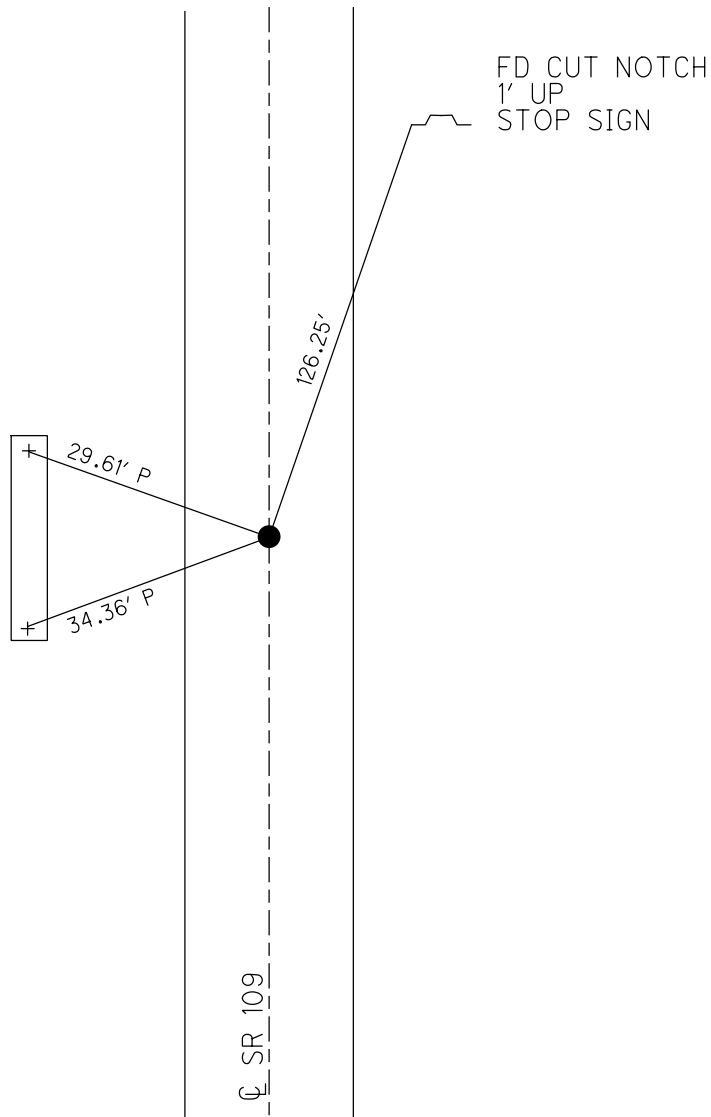
TYPE MONUMENT MAG/WASHER
 ON SURFACE - ~~BELOW~~ ON
 OFFSET Q PAVEMENT ON LT : RT
10.4' TO LT EDGE PAVEMENT
 STATION: 862+98



HORIZ.DATUM: NAD83 2011 GEOID: NAVD88 2018
 GRID: NORTHING: 636487.549 EASTING: 1546569.567

RECORD:
 SET MAG/WASHER
 9-15-04, MC
 FD MAG/WASHER
 REFB30
 9-1-15, JFO
 8-3-16, JMR
 FD MAG/WASHER
 REF35
 6/16/21, TDN
 10/5/21, JFO

FD "+"
 12" STEEL PIPE

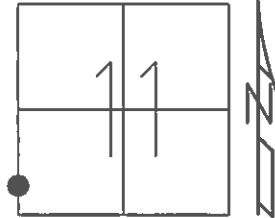


O.D.O.T. DISTRICT 2 SURVEY OFFICE (USE ONLY)

PERSONNEL _____ REFERENCE NO. 35 SHEET 25 OF 38
 NOTES RHOADES DATE 9-3-15 ROUTE SR 109
 H.C. O'DONNELL WEATHER CLEAR COUNTY HENRY
 R.C. RHOADES TEMP. 88°F TOWNSHIP HARRISON
 _____ SECTION 11
 _____ T 5 N R 7 E

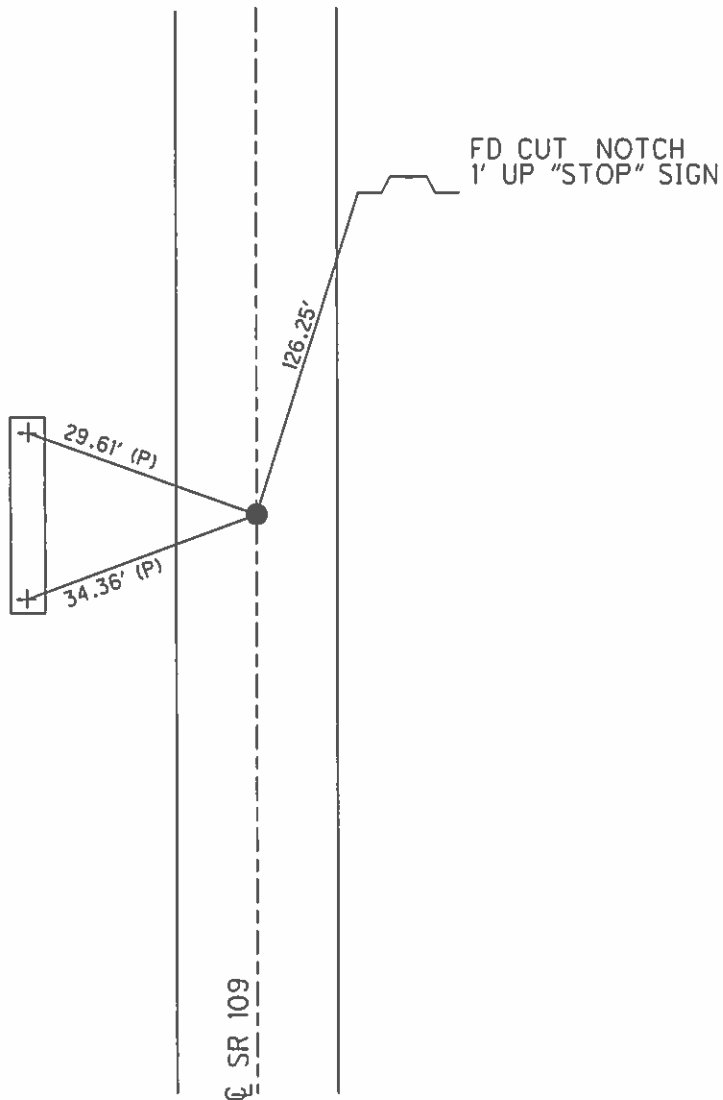
TYPE MONUMENT MAG/WASHER
 ON SURFACE - ~~BELOW~~ ON
 LEFT - ☉ PAV'T - RIGHT ON
10.4' TO LT EDGE PAVEMENT
 S.L.M. 862+98

Grid: Northing: 636487.6246 Easting: 1546569.5753



RECORD:
 SET MAG/WASHER
 9-15-04, MC
 FD MAG/WASHER
 GPS, REFB30
 9-1-15, JFO
 UNCOVERED
 8-3-16, JMR

12" STEEL PIPE
 CUT "+"
 ON EACH END



O.D.O.T. DISTRICT 2 SURVEY OFFICE

PERSONNEL

REFERENCE NO. 35

SHEET 23 OF 23

NOTES CORDS

H.C. BARNHISEL

DATE 8/27/04

ROUTE 109

R.C. HOOVER

WEATHER OVERCAST

COUNTY HENRY

TEMP. + 80°

TOWNSHIP HARRISON

SECTION 11

T S N R T E

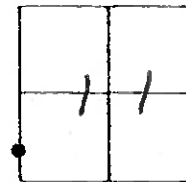
TYPE MONUMENT P.K. / WASHER

ON SURFACE - BELOW SURFACE

~~LEFT~~ - ~~Q~~ PAV'T. - ~~RIGHT~~ ON Q

10.4 TO LT EDGE PAVEMENT

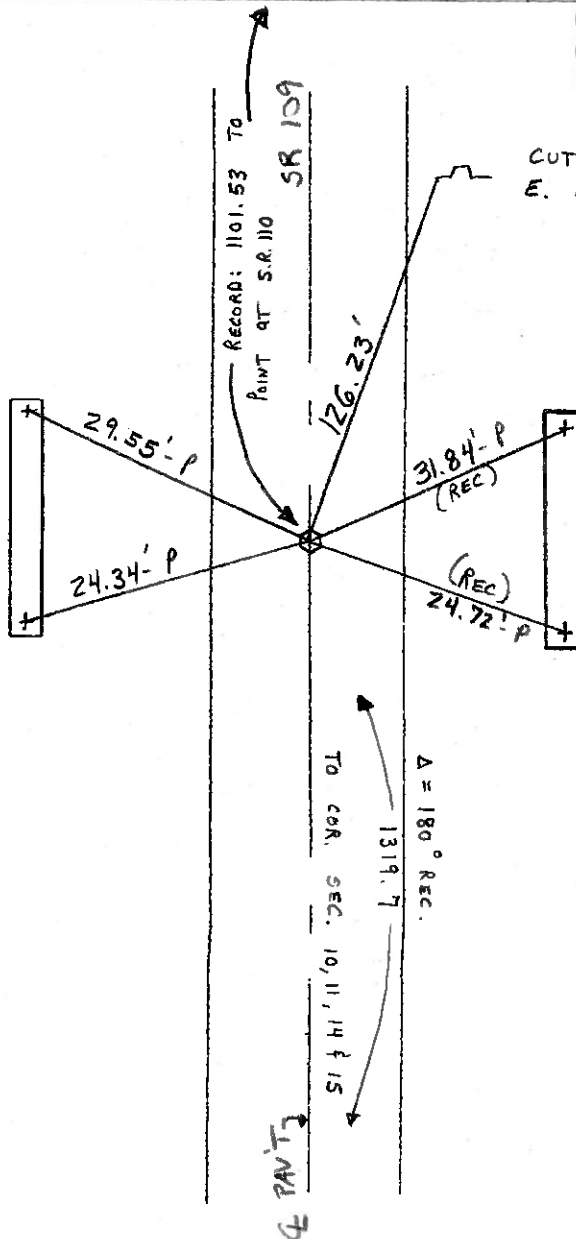
S.L.M. 862 + 98



RESET MAG/WASHER
9/15/04
M.C.

CUT NOTCH 1' UP
E. LEG OF STOP AHEAD SIGN

12" STEEL
PIPE CUT "+"
ON EACH END



12" CMP W/PK NAILS
IN EACH END

O.D.O.T. DISTRICT 2 SURVEY OFFICE

PERSONNEL _____

REFERENCE NO. 35

SHEET _____ OF _____

NOTES BARNHISEL

H.C. " "

R.C. HOFFMAN

DATE 9-25-90

WEATHER clear-windy

TEMP. +70°

ROUTE 109

COUNTY Henry

TOWNSHIP Harrison

SECTION 11

T 5 N R 7 E

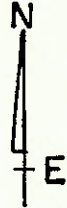
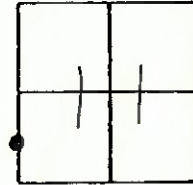
TYPE MONUMENT P.K. & Washer

ON SURFACE - ~~BELOW~~ yes

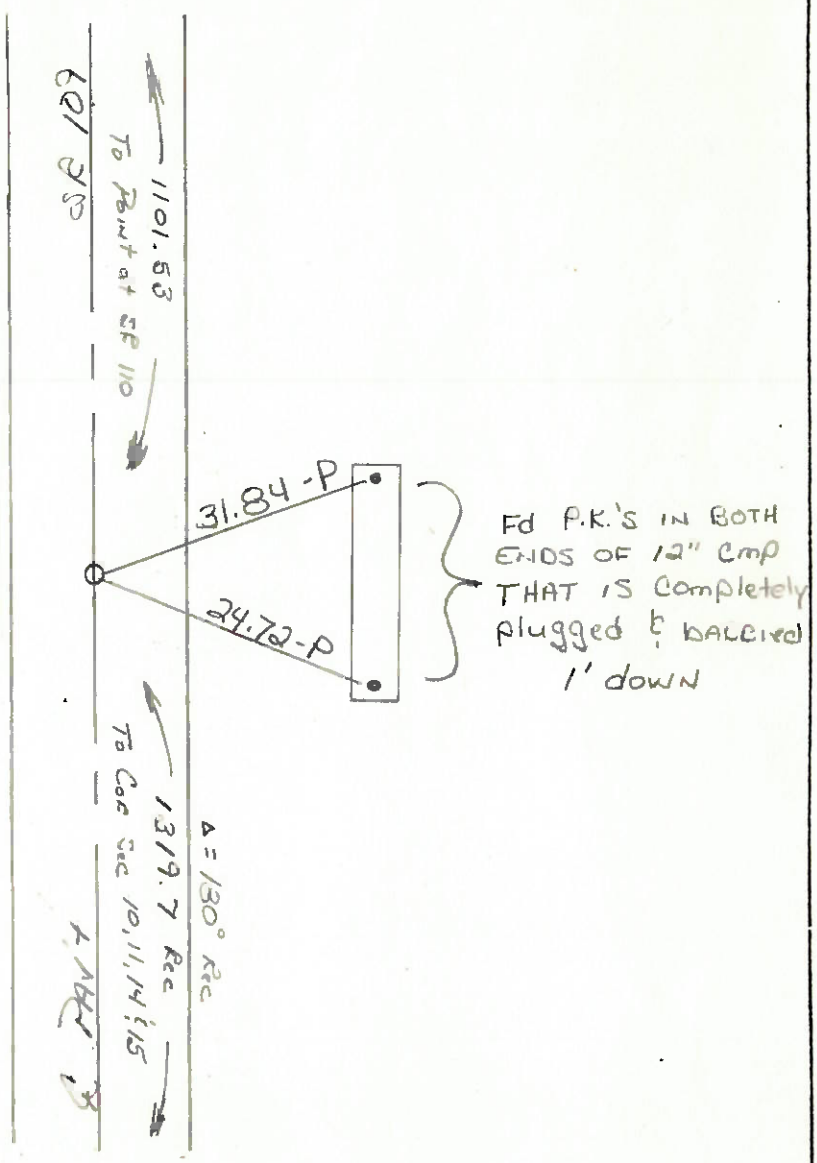
LEFT - ~~C~~ PAV'T. - RIGHT yes

10.6 TO LT EDGE PAVEMENT

S.L.M. 862 + 99



Set P.K. & Washer
10-4-90
MB



Q.D.O.T. DISTRICT 2 SURVEY OFFICE

SHEET _____ OF _____

County HENRY S.R. 109

Date 3-19-84

Township HARRISON

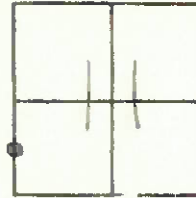
Weather OVERCAST

Section 11

Temp. +30°

TSN, R7E

Personnel HOFFMAN



LOENRUE

#35 HOUSEHOLDER R.C.

BARNHISEL H.C.

Fd $\frac{3}{4}$ " IRON PIPE 2" Below surface

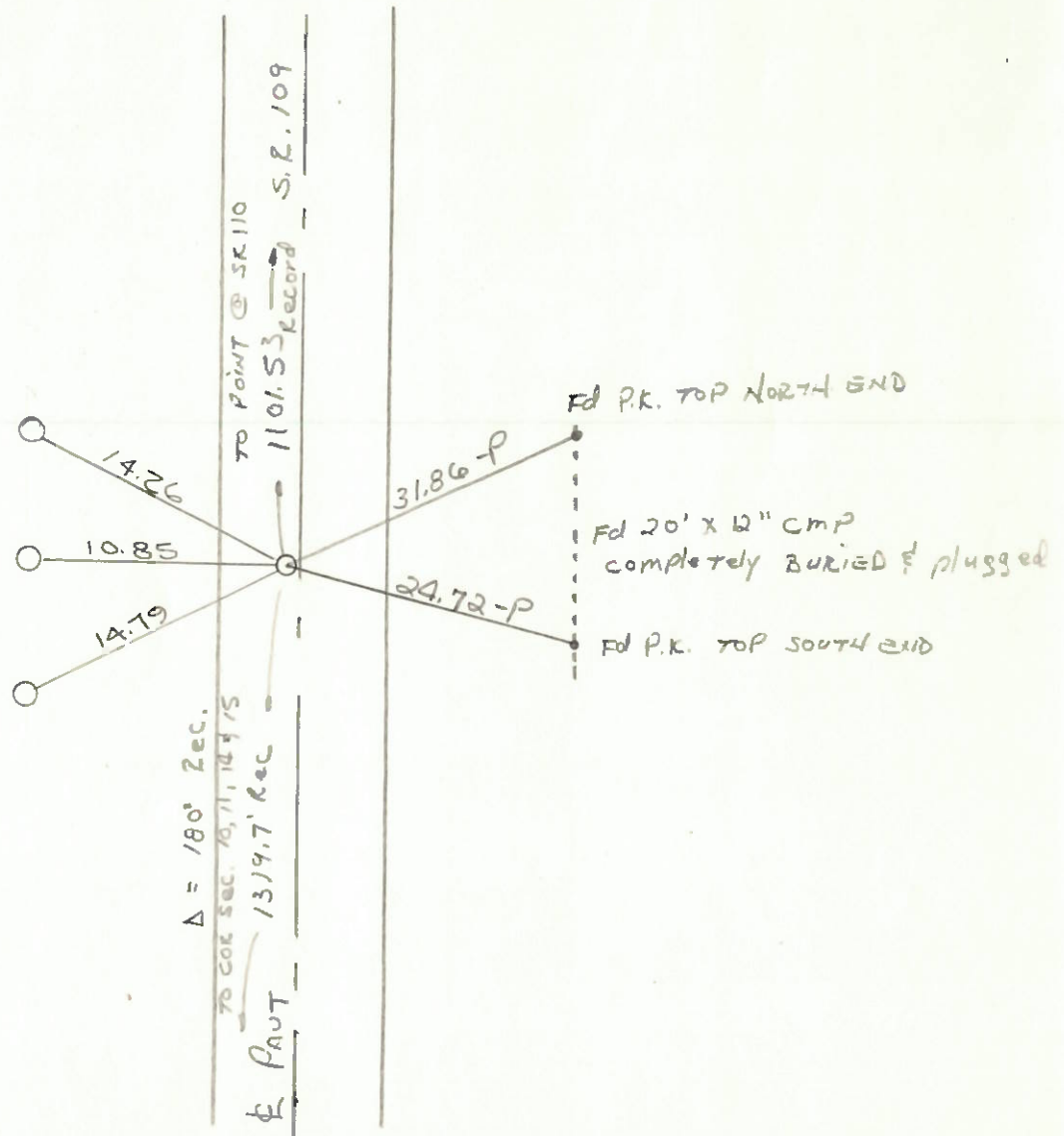
S&M = 863 + 09

0.5' Lt. of ϕ PAUT

8.8' TO Lt. EP.

9.4' TO RT. EP.

OTHER
No REF. TIES IN AREA.



PERSONNEL	TITLE	PERSONNEL	TITLE
Tomsic			
Neuser			
Vanya			
Ceranata			

COUNTY HENRY DATE DEC. 14, 1973

S. R. 109 WEATHER _____

SEC. _____ TEMP. 32°

DESCRIPTION _____ LEFT _____ CENTER LINE _____ RIGHT _____ JOB NO. _____

