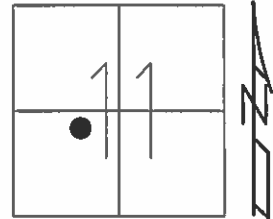


O.D.O.T. DISTRICT 2 SURVEY OFFICE (USE ONLY)

PERSONNEL _____ REFERENCE NO. 36 C SHEET 31 OF 38

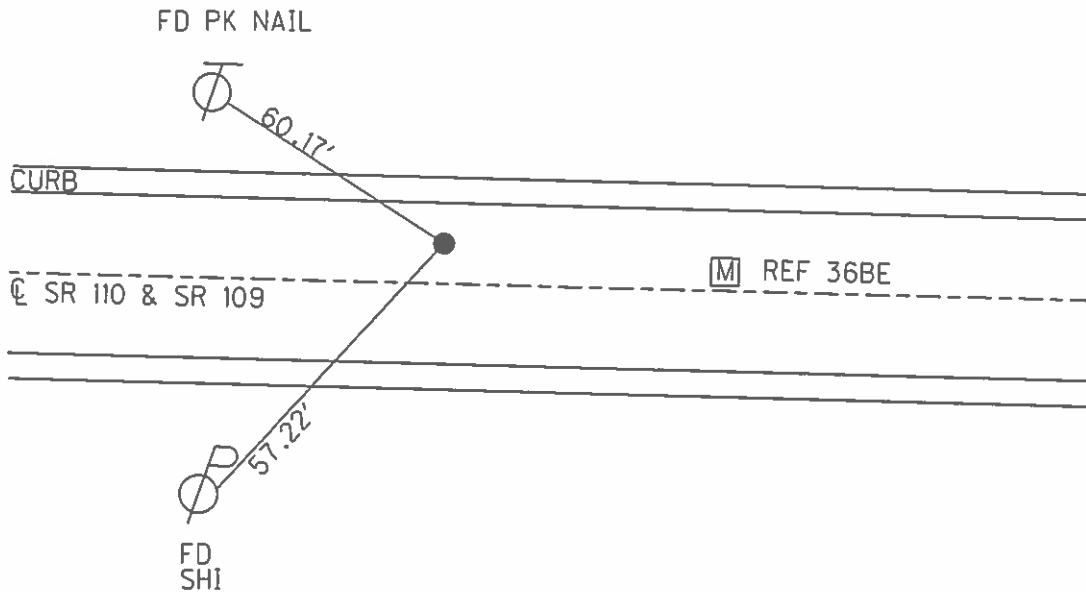
NOTES HOMAN DATE 8-13-02 ROUTE SR 109
 H.C. ROUSOS WEATHER CLOUDY COUNTY HENRY
 R.C. BEAUMONT TEMP. 80°F TOWNSHIP HARRISON
 _____ SECTION 11
 _____ T 5 N R 7 E

TYPE MONUMENT PK/WASHER
 ON SURFACE - ~~BELOW~~ ON _____
 LEFT - ☉ PAV'T - ~~RIGHT~~ 6.3'
4' TO LT EDGE PAVEMENT
 S.L.M. 899+55
 Grid: Northing: - _____ Easting: - _____



RECORD: P.I.
 $\Delta=3^{\circ}17'30''RT$

SET MAG/WASHER
 9-20-02, DCH



O.D.O.T. DISTRICT 2 SURVEY OFFICE

PERSONNEL

REFERENCE NO. 36C

SHEET 4 OF 9

NOTES HOMAN

DATE 8-13-02

ROUTE S.R. 109

H.C. ROUSOS

WEATHER CLOUDY

COUNTY HENRY

R.C. BEAUMONT

TEMP. 80

TOWNSHIP HARRISON

SECTION 11

T 5 N R 7 E

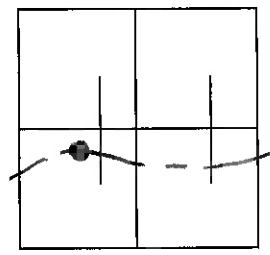
TYPE MONUMENT PK & WASHER

ON SURFACE - ~~BELOW~~ ON

LEFT - ~~Q PAVT~~ - ~~RIGHT~~ 6.3'

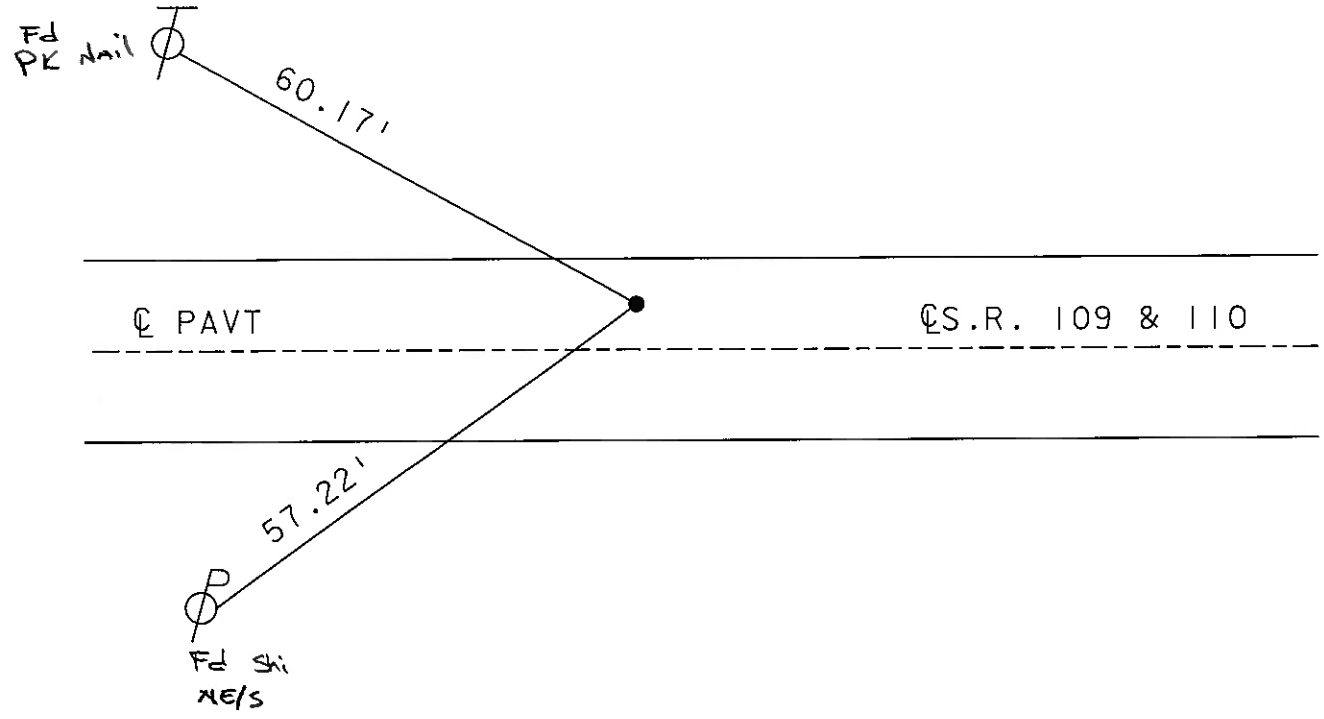
4' TO LT EDGE PAVEMENT

S.L.M. 899+55



RECORD P.I.
 $\Delta = 3^\circ 17' 30''$ RT

SET MAG NAIL
 & WASHER
 9-20-02
 DCH



O.D.O.T. DISTRICT 2 SURVEY OFFICE

PERSONNEL _____

REFERENCE NO. _____

SHEET _____ OF _____

NOTES BARNHISEL

H.C. " " "

DATE 9-28-90

ROUTE 109 & 110

R.C. HOFFMAN

WEATHER clear

COUNTY HENRY

TEMP. +65°

TOWNSHIP HARRISON

SECTION 11

T 5 N R 7 E

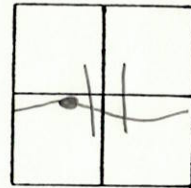
TYPE MONUMENT P.K. & Washer

ON SURFACE - ~~BELOW~~ yes

LEFT - & PAV'T. - ~~RIGHT~~ 6.3

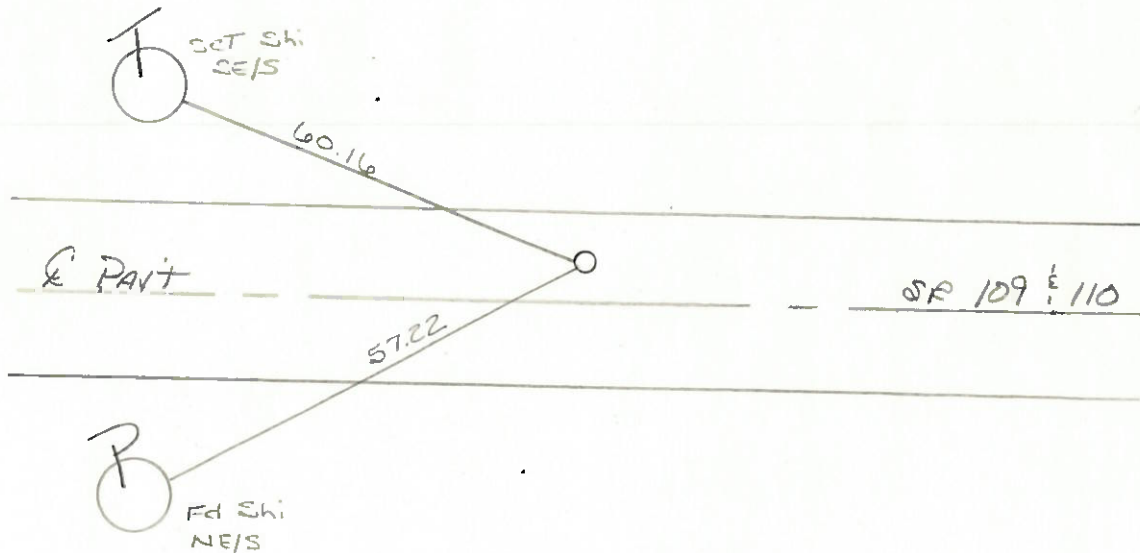
4.1 TO LT EDGE PAVEMENT

S.L.M. 899+55



RECORD: P.I.
A = 30° = 17' 30" RT

Set P.K. & Washer
10-11-90
MB



ODOT. DISTRICT 2 SURVEY OFFICE

SHEET _____ OF _____

County HENRY S.R. 109 & SR 110

Date 3-23-84

Township HARRISON

Weather clear

Section 11

Temp. +25°

TSN, RZE

Personnel HOFFMAN

LOEHRKE

HOUSEHOLDER

BAGNHISE



Fd P.K. Nail 1" Below Surface

S.L.M. 899 + 69

6.2' Lt of & Post

2.4' TO Lt. EP

15.4' TO RT. EP

Record: P.I.

$\Delta = 3^\circ - 17' - 30'' R$

SET PK/WASHER

8-24-84

S.W.H.

