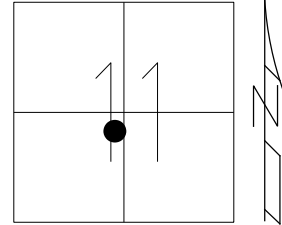


O.D.O.T. DISTRICT 2 SURVEY OFFICE (USE ONLY)

PERSONNEL _____ REFERENCE NO. 36 E SHEET 31 OF 36
 NOTES ASTON DATE 8/17/23 ROUTE SR 109
 H.C. NIESE WEATHER WINDY COUNTY HENRY
 R.C. RHOADES TEMP. 76° TOWNSHIP HARRISON
AUBLE SECTION 11
 DWG BY RHOADES PID 94321 T 5 N R 7 E

TYPE MONUMENT MONBOX W/ 3/4" IPIN
 ON SURFACE - ~~BELOW~~ ON _____
 OFFSET \odot PAVEMENT 2' LT : ~~RT~~
 - TO - EDGE PAVEMENT
 STATION: 899+88

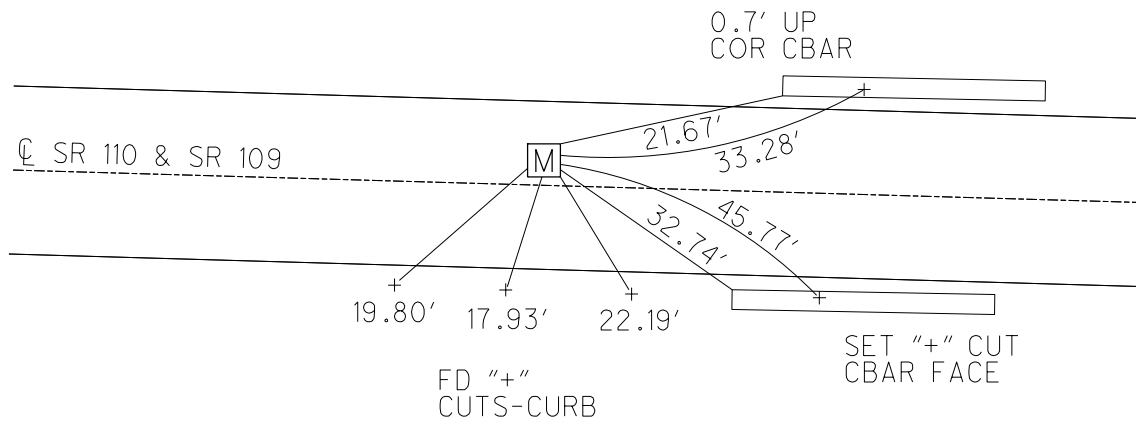


HORZ. DATUM: NAD83 2011 GEOID: NAVD88 2012A
 GRID: NORTHING: 637621.448 EASTING: 1549145.785

RECORD: P.I.
 $\Delta = 3^\circ 26' 14''$
 FD MONBOX
 W/ 3/4" IPIN
 REFB13
 8-31-15, JFO
 8-3-16, JFO
 FD MONBOX
 W/1" IPIN
 REFB13
 12/20/21, DSA
 8/17/23, TDN

NOTE: REF 13C SR 110

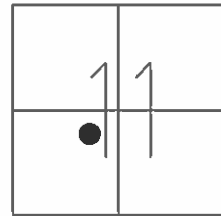
NOTE: PLUMB AT BOX



O.D.O.T. DISTRICT 2 SURVEY OFFICE (USE ONLY)

PERSONNEL _____ REFERENCE NO. 36 BE SHEET 32 OF 38
NOTES RHOADES DATE 8-31-15 ROUTE SR 109
H.C. O'DONNELL WEATHER FAIR COUNTY HENRY
R.C. RHOADES TEMP. 76°F TOWNSHIP HARRISON
SECTION 11
T 5 N R 7 E

TYPE MONUMENT MONBOX
ON SURFACE - ~~BELOW~~ ON
LEFT - ☉ PAV'T - ~~RIGHT~~ 2.0'
- TO - EDGE PAVEMENT
S.L.M. 899+88



Grid: Northing: 637621.4476 Easting: 1549145.7846

RECORD:
FD MONBOX
GPS, REFB13
8-31-15, JFO

UNCOVERED
8-3-16, JFO

