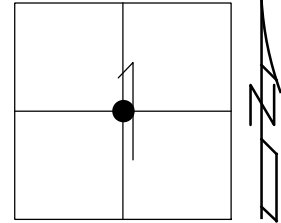


O.D.O.T. DISTRICT 2 SURVEY OFFICE (USE ONLY)

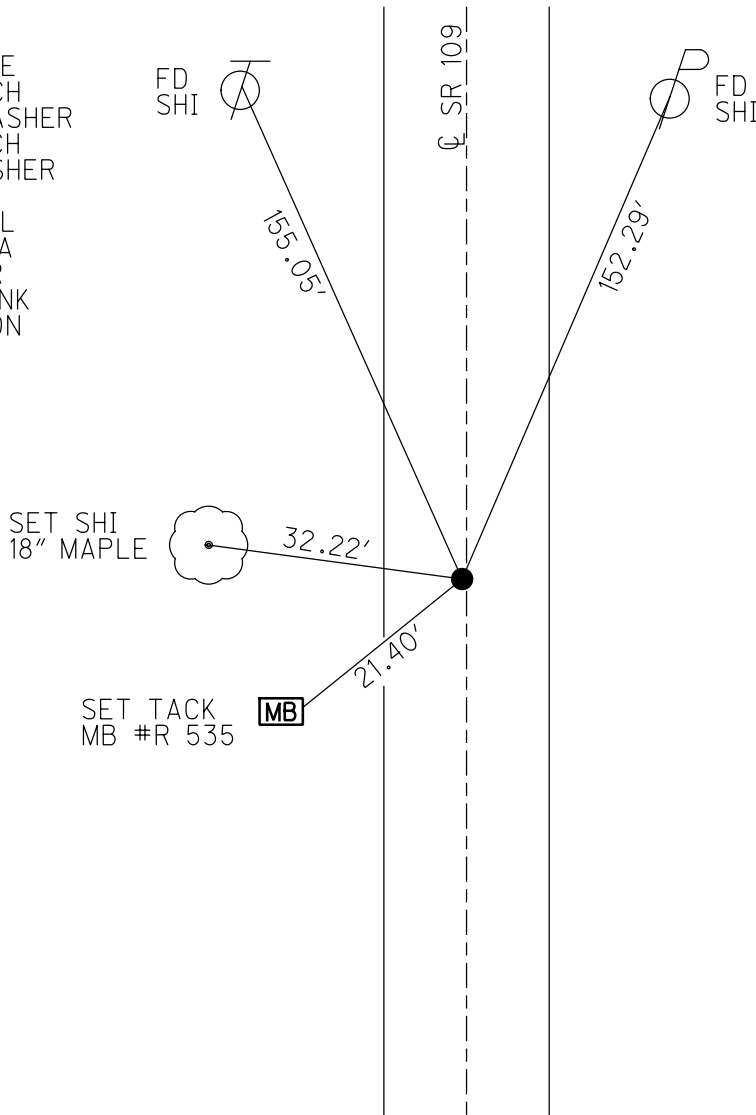
PERSONNEL _____ REFERENCE NO. 42 SHEET 1 OF 31
 NOTES NIESE DATE 3/16/23 ROUTE SR 109
 H.C. NIESE WEATHER CLEAR COUNTY HENRY
 R.C. MILLER TEMP. 47° TOWNSHIP LIBERTY
 DWG BY RHOADES PID CHIP SEAL SECTION 1
 T 5 N R 7 E

TYPE MONUMENT MAG SHANK
~~ON SURFACE~~ - BELOW 1"
 OFFSET Q PAVEMENT 1.0' LT : ~~RT~~
8.0' TO LT EDGE PAVEMENT
 STATION: 1018+58



HORZ.DATUM: NAD83 2011 GEOID: NAVD88 2012A
 GRID: NORTHING: 642916.637 EASTING: 1554697.446

RECORD:
 FD R.R.SPIKE
 7/19/02, DCH
 SET MAG/WASHER
 12/2/02, DCH
 FD MAG/WASHER
 REF 42
 2/25/19, JLL
 8/6/20, DSA
 3/5/21, JMR
 FD MAG SHANK
 3/16/23, TDN



O.D.O.T. DISTRICT 2 SURVEY OFFICE (USE ONLY)

PERSONNEL _____ REFERENCE NO. 42 SHEET 1 OF 31
 NOTES NIESE DATE 3/5/21 ROUTE SR 109
 H.C. RHOADES WEATHER SUNNY COUNTY HENRY
 R.C. _____ TEMP. 30° TOWNSHIP LIBERTY
 _____ SECTION 1
 DWG BY NIESE PID PAVE TRAIN T 5 N R 7 E

TYPE MONUMENT MAG/WASHER

ON SURFACE - ~~BELOW~~ ON

OFFSET Q PAVEMENT 1.0' LT : ~~RT~~

8.0' TO LT EDGE PAVEMENT

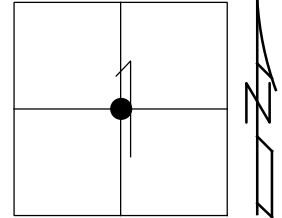
STATION: 1018+58

HORZ.DATUM: NAD83 2011

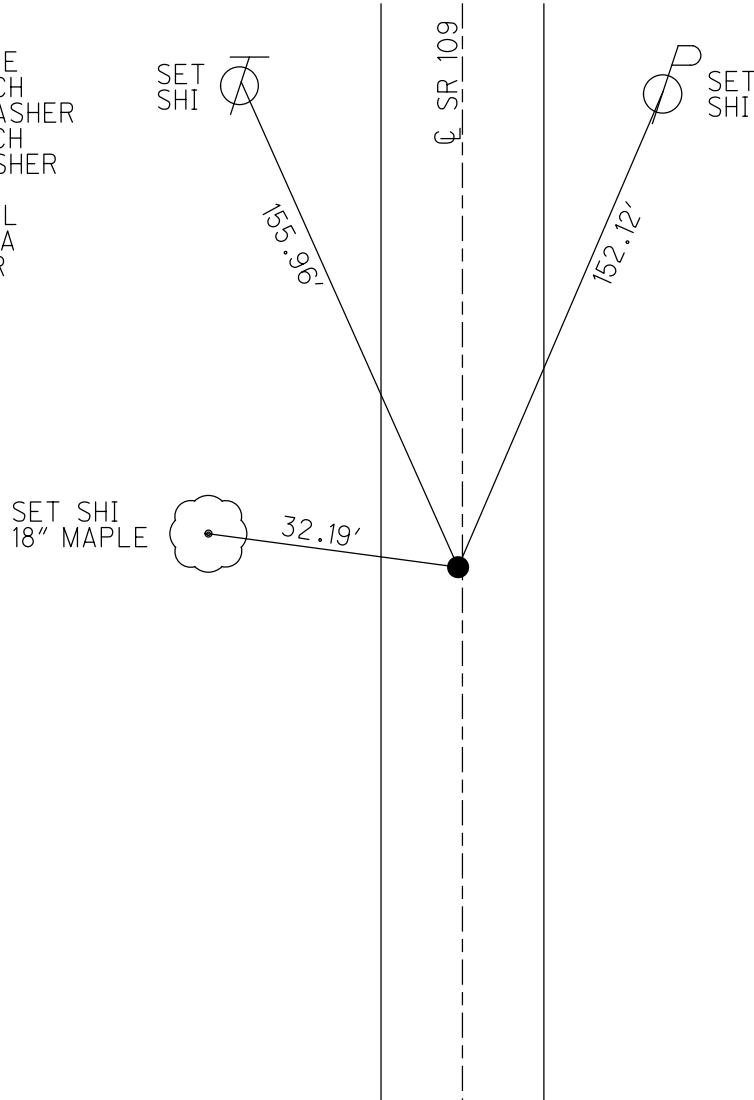
GEOID: NAVD88 2012A

GRID: NORTHING: 642916.637

EASTING: 1554697.446



RECORD:
 FD R.R.SPIKE
 7/19/02, DCH
 SET MAG/WASHER
 12/2/02, DCH
 FD MAG/WASHER
 REF42
 2/25/19, JLL
 8/6/20, DSA
 3/5/21, JMR



O.D.O.T. DISTRICT 2 SURVEY OFFICE

PERSONNEL

REFERENCE NO. 42

SHEET 5 OF 27

NOTES HOMAN

DATE 7-19-02

ROUTE S.R. 109

H.C. ROUSOS

WEATHER CLOUDY

COUNTY HENRY

R.C. HOMAN

TEMP. 88

TOWNSHIP LIBERTY

SECTION 1

T 5 N R 7 E

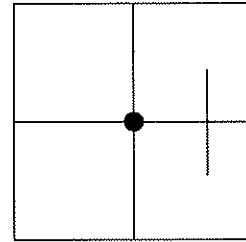
TYPE MONUMENT RR SPIKE

ON SURFACE - ~~BELOW~~ ON

~~LEFT - C PAV'T - RIGHT~~ 1.0'

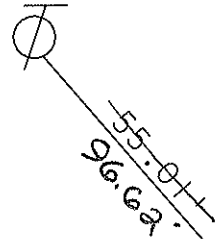
8' TO LT EDGE PAVEMENT

S.L.M. 1018+58

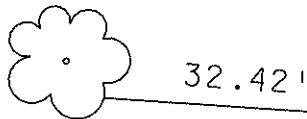


SET MAG NAIL
& WASHER
12-02-02
DCH

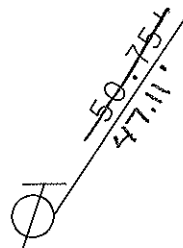
SET SHI
SE/S



S.R. 109



SET
~~FD~~ SHI
E/S



C. PVMT.

FD SHI
NE/S

O.D.O.T. DISTRICT 2 SURVEY OFFICE

PERSONNEL _____

REFERENCE NO. _____

SHEET _____ OF _____

NOTES BARNHISEL

H.C. Lochere

R.C. _____

DATE 5-13-87

WEATHER SUNNY

TEMP. +75°

ROUTE SR 109

COUNTY HENRY

TOWNSHIP LIBERTY

SECTION 1

T5 N R 7 E

TYPE MONUMENT R.R. SPIKE

~~ON SURFACE - BELOW~~ 3"

~~LEFT - C PAV'T. - RIGHT~~ 1.0'

7.9' TO LT. EDGE PAVEMENT

S.L.M. 1018 + SB

Set small
R.R. spike
6-16-87
SWH

