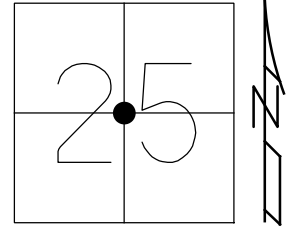


O.D.O.T. DISTRICT 2 SURVEY OFFICE (USE ONLY)

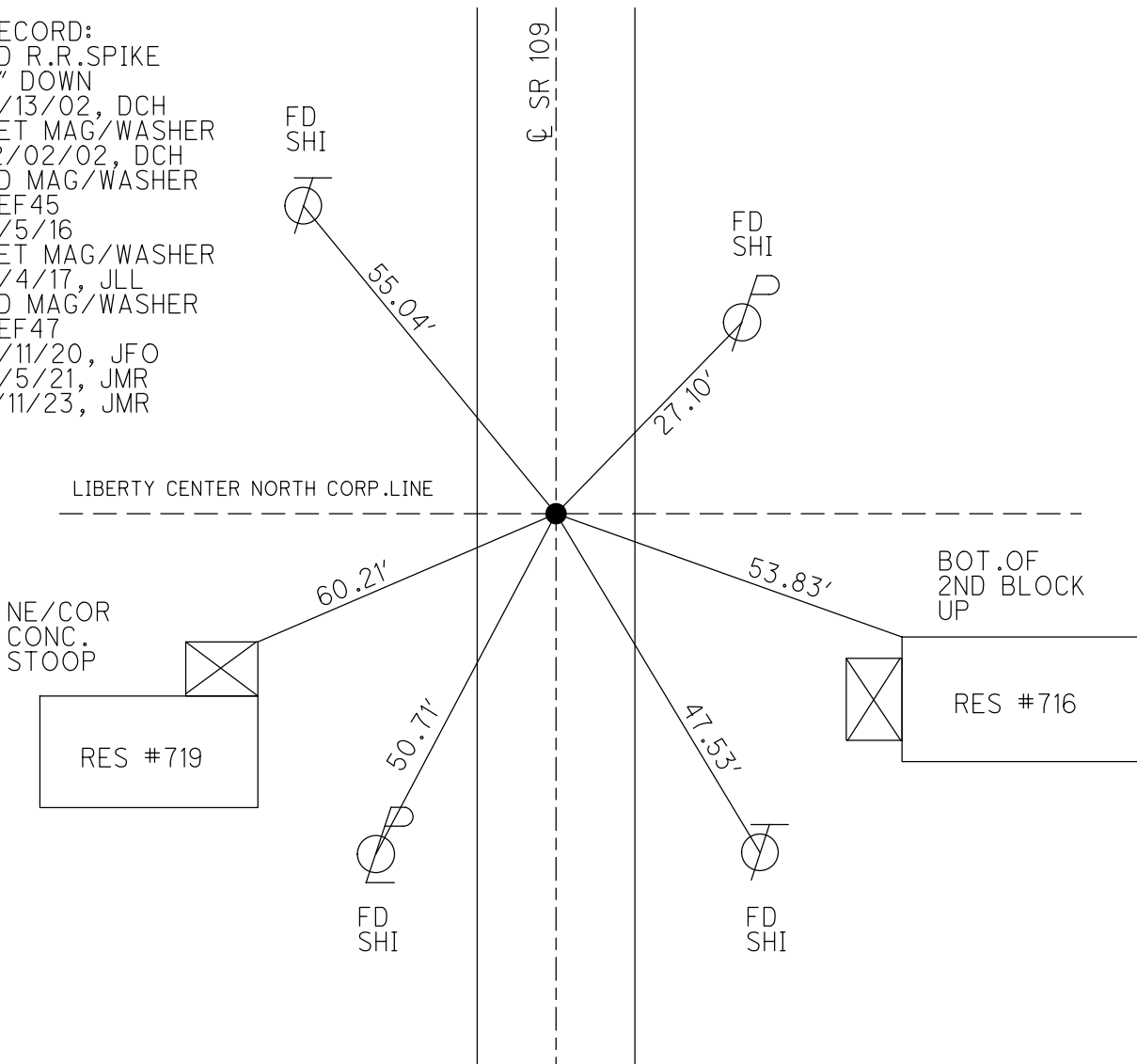
PERSONNEL _____ REFERENCE NO. 47 SHEET 9 OF 31
 NOTES NIESE DATE 3/5/21 ROUTE SR 109
 H.C. RHOADES WEATHER SUNNY COUNTY HENRY
 R.C. _____ TEMP. 30° TOWNSHIP LIBERTY
 DWG BY NIESE PID PAVE TRAIN SECTION 25
 T 6 N R 7 E

TYPE MONUMENT MAG/WASHER
 ON SURFACE - ~~BELOW~~ ON
 OFFSET \varnothing PAVEMENT ON LT : RT
11.0' TO RT EDGE PAVEMENT
 STATION: 1129+70.12



HORIZ.DATUM: NAD83 2011 GEOID: NAVD88 2012A
 GRID: NORTHING: 653426.740 EASTING: 1554910.408

RECORD:
 FD R.R.SPIKE
 2" DOWN
 8/13/02, DCH
 SET MAG/WASHER
 12/02/02, DCH
 FD MAG/WASHER
 REF45
 2/5/16
 SET MAG/WASHER
 8/4/17, JLL
 FD MAG/WASHER
 REF47
 6/11/20, JFO
 3/5/21, JMR
 1/11/23, JMR



O.D.O.T. DISTRICT 2 SURVEY OFFICE (USE ONLY)

PERSONNEL

REFERENCE NO. 47

SHEET 9 OF 31

NOTES NIESE

DATE 3/5/21

ROUTE SR 109

H.C. RHOADES

WEATHER SUNNY

COUNTY HENRY

R.C. _____

TEMP. 30°

TOWNSHIP LIBERTY

SECTION 25

DWG BY NIESE

PID PAVE TRAIN

T 6 N R 7 E

TYPE MONUMENT MAG/WASHER

ON SURFACE - ~~BELOW~~ ON

OFFSET Q PAVEMENT ON LT : RT

11.0' TO RT EDGE PAVEMENT

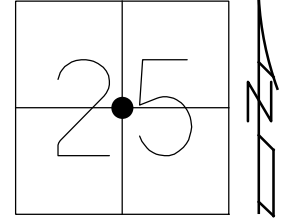
STATION: 1129+70.33

HORZ.DATUM: NAD83 2011

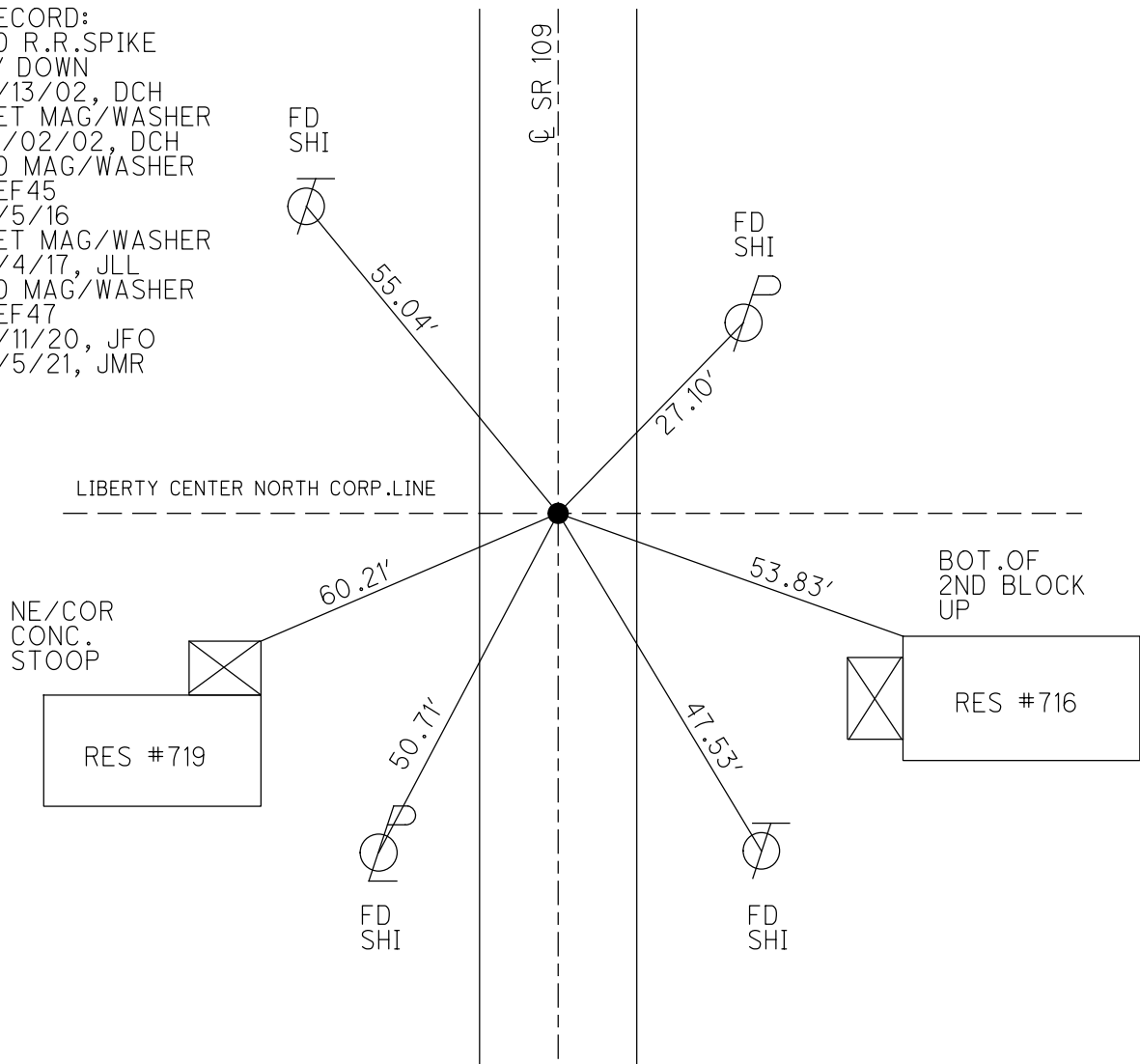
GEOID: NAVD88 2012A

GRID: NORTHING: 653426.740

EASTING: 1554910.408



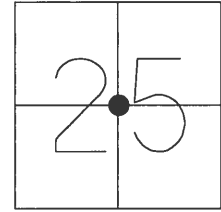
RECORD:
 FD R.R.SPIKE
 2" DOWN
 8/13/02, DCH
 SET MAG/WASHER
 12/02/02, DCH
 FD MAG/WASHER
 REF45
 2/5/16
 SET MAG/WASHER
 8/4/17, JLL
 FD MAG/WASHER
 REF47
 6/11/20, JFO
 3/5/21, JMR



O.D.O.T. DISTRICT 2 SURVEY OFFICE (USE ONLY)

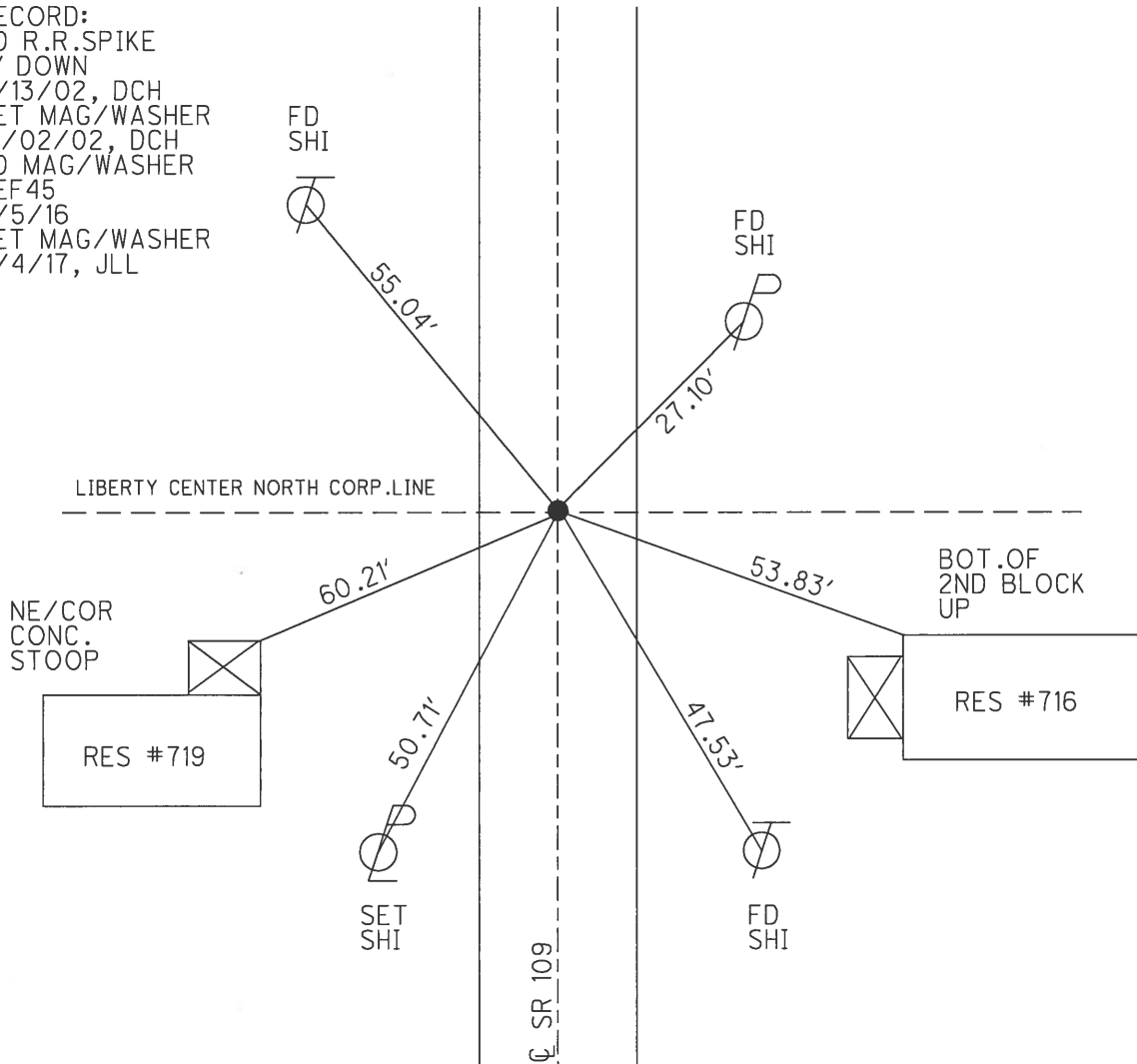
PERSONNEL _____ REFERENCE NO. 47 SHEET 5 OF 8
 NOTES LEU DATE 4/25/17 ROUTE SR 109
 H.C. LEU WEATHER CLOUDY COUNTY HENRY
 R.C. HELDMAN TEMP. 60° TOWNSHIP LIBERTY
 _____ SECTION 25
 _____ T 6 N R 7 E

TYPE MONUMENT MAG/WASHER
 ON SURFACE - ~~BELOW~~ ON _____
 LEFT - ☉ PAV'T - RIGHT ON _____
11' TO RT EDGE PAVEMENT
 S.L.M. 1129+70.33



GRID: NORTHING: 653426.740 EASTING: 1554910.408

RECORD:
 FD R.R.SPIKE
 2" DOWN
 8/13/02, DCH
 SET MAG/WASHER
 12/02/02, DCH
 FD MAG/WASHER
 REF45
 2/5/16
 SET MAG/WASHER
 8/4/17, JLL



O.D.O.T. DISTRICT 2 SURVEY OFFICE

PERSONNEL

REFERENCE NO. 47

SHEET 10 OF 27

NOTES MICHALAK

DATE 8-19-02

ROUTE S.R. 109

H.C. ROUSOS

WEATHER RAIN

COUNTY HENRY

R.C. BEAUMONT

TEMP. 90

TOWNSHIP LIBERTY

SECTION 25

T 6 N R 7 E

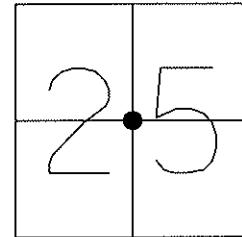
TYPE MONUMENT PK & WASHER

ON SURFACE - ~~BELOW~~ ON

~~LEFT - C PAV'T - RIGHT~~ ON

11' TO RT EDGE PAVEMENT

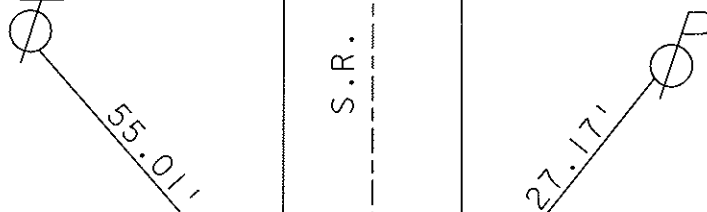
S.L.M. 1129+74



SET MAG NAIL
& WASHER
12-10-02
DCH

SET SHI
SE/S

FD SHI
SW/S



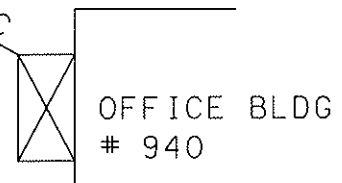
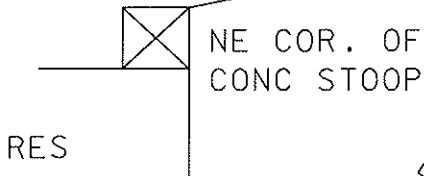
NORTH CORP. LINE.

LIBERTY CENTER

60.14' REC

53.92' REC

NW COR CONC
BLK FDN 1' UP



FD SHI
NE/S

FD SHI
N/S

C. PVMT.

O.D.O.T. DISTRICT 2 SURVEY OFFICE

PERSONNEL

REFERENCE NO. 47

SHEET _____ OF _____

NOTES BARNHISEL

H.C. BURNETT

R.C. KUSZ

VAN DUSEN

DATE 7-22-92

WEATHER Cloudy

TEMP. +70°

ROUTE SR 109

COUNTY HENRY

TOWNSHIP LIBERTY

SECTION 25

T6 N R 7 E

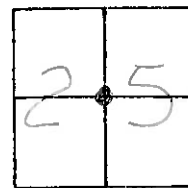
TYPE MONUMENT P.K. SHANK

ON SURFACE - ~~BELOW~~ YES

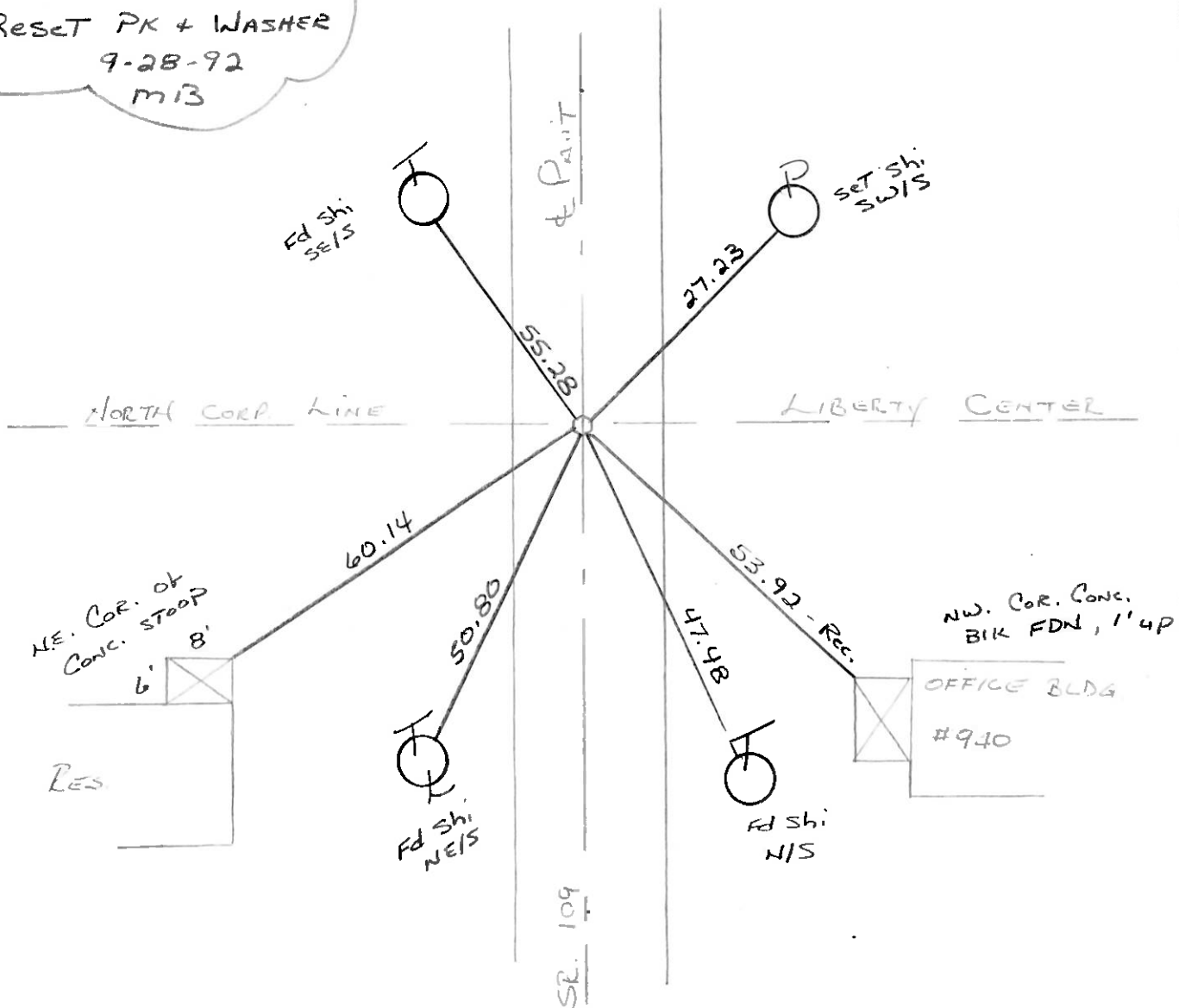
~~LEFT - & PAV'T. - RIGHT~~ YES

10.7 TO RT EDGE PAVEMENT

S.L.M. 1129+74



Reset PK + WASHER
9-28-92
M13



ODOT. DISTRICT 2 SURVEY OFFICE

SHEET 2 of

County HENRY S.R. 109
 Township LIBERTY - N. Corp Line
 Section 25 LIBERTY CENTER
 T6N, R7E

Date 6-1-81

Weather Clear

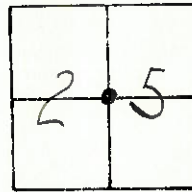
Temp. + 79°

Personnel S. Hoffmann

C. Lochte

J. Houschelder

#47

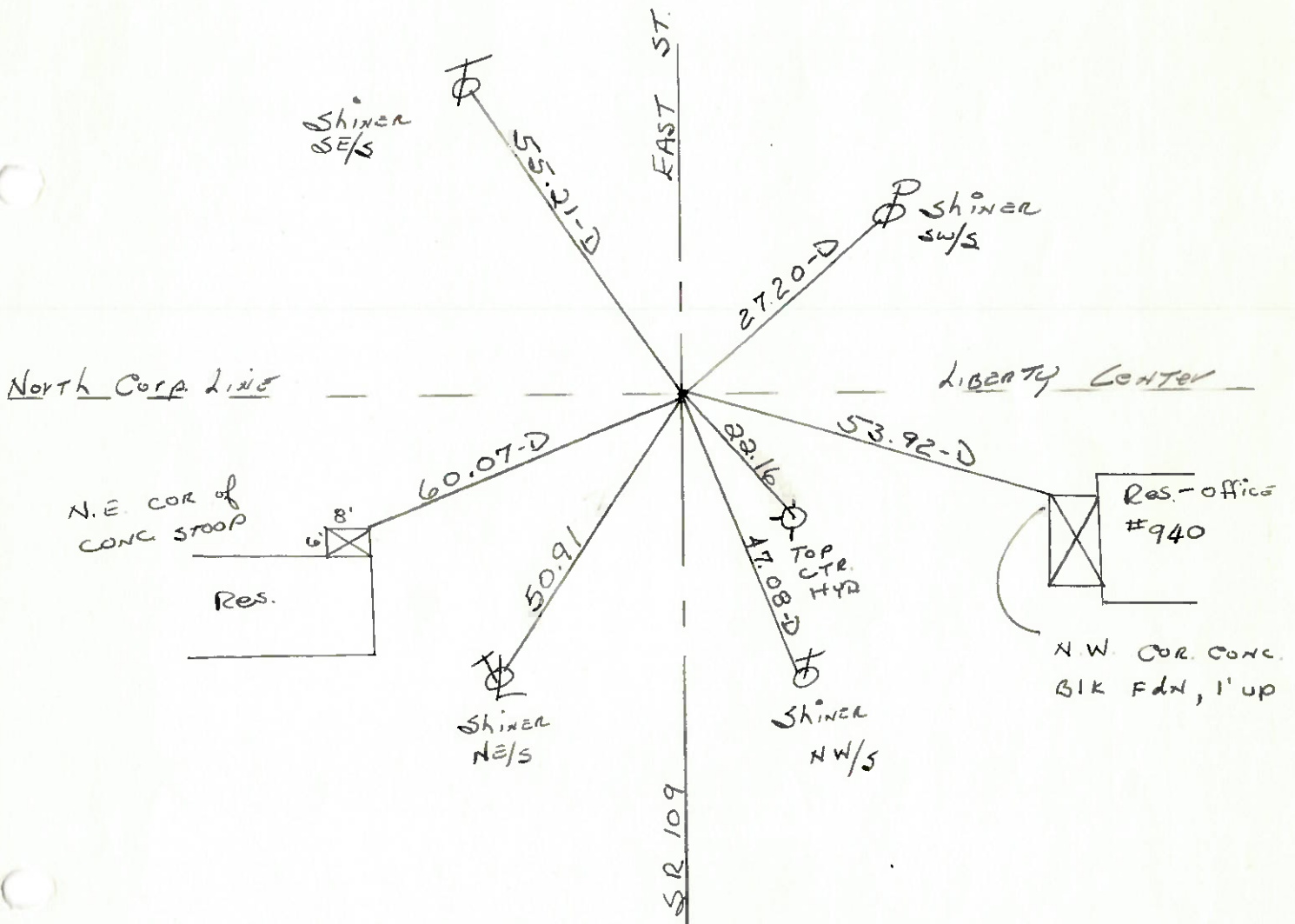


Fd. P.K. @ SURFACE

CTR. of PAVT.

RE-SET P.K. WASHER 8-6-81 SWH.

RE-SET SMALL P.R. SPK. 5-17-82 SWH.



PERSONNEL	TITLE	PERSONNEL	TITLE	COUNTY	DATE
Red Beach				HENRY	June 1970
Newcomb					
Knafe				S. R. 109	WEATHER
Wise				SEC. Liberty Center, North	TEMP.

CONTROL POINTS

