

O.D.O.T. DISTRICT 2 SURVEY OFFICE (USE ONLY)

PERSONNEL

REFERENCE NO. 47 A

SHEET 10 OF 31

NOTES NIESE

DATE 3/5/21

ROUTE SR 109

H.C. RHOADES

WEATHER SUNNY

COUNTY HENRY

R.C. _____

TEMP. 30°

TOWNSHIP LIBERTY

DWG BY NIESE PID PAVE TRAIN

SECTION 25

T 6 N R 7 E

TYPE MONUMENT MAG/WASHER

ON SURFACE - ~~BELOW~~ ON

OFFSET ☉ PAVEMENT ON LT : RT

10.2' TO RT EDGE PAVEMENT

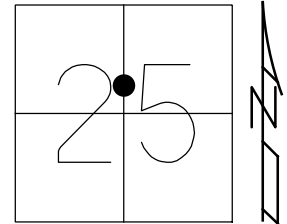
STATION: 1130+95.1

HORIZ.DATUM: NAD83 2011

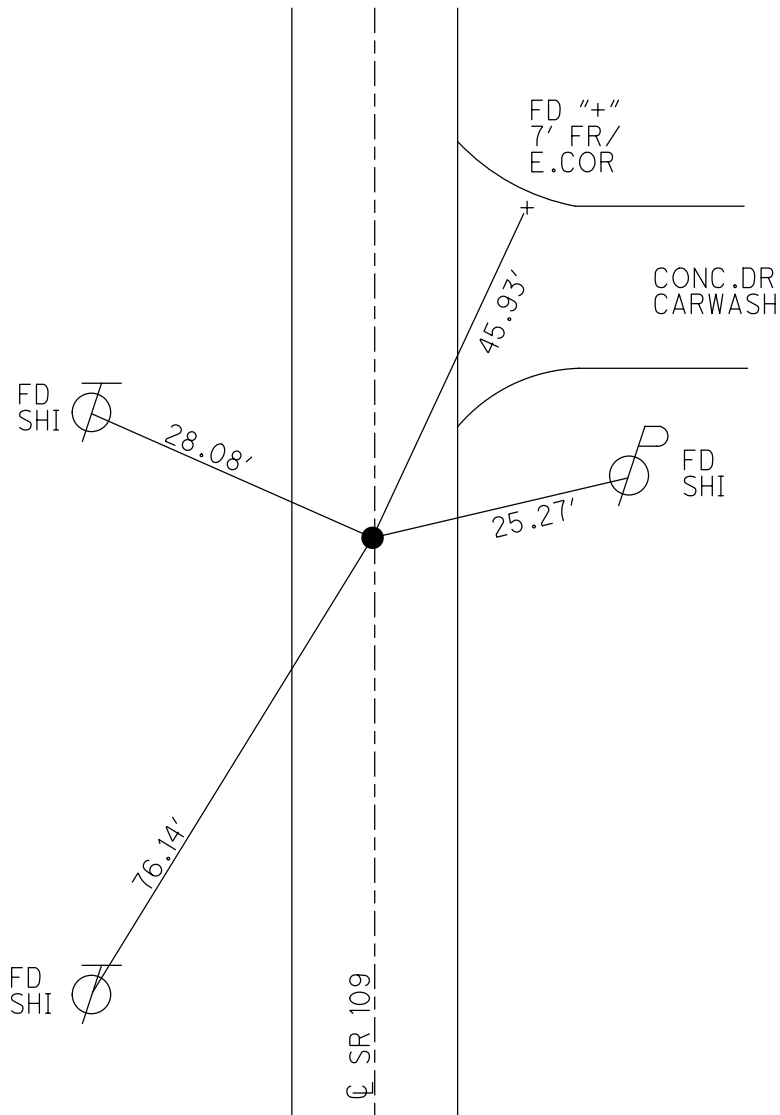
GEOID: NAVD88 2012A

GRID: NORTHING: 653551.523

EASTING: 1554912.451



RECORD:
 SET P.K./WASHER
 9/28/92
 FD P.K./WASHER
 8/19/02, TMR
 SET MAG/WASHER
 12/10/02, DCH
 FD MAG/WASHER
 2/5/16
 SET MAG/WASHER
 8/4/17, JLL
 FD MAG/WASHER
 REFA47
 6/11/20, JFO
 3/5/21, JMR
 SET MAG/WASHER
 REF47A
 4/12/23, JMR



O.D.O.T. DISTRICT 2 SURVEY OFFICE (USE ONLY)

PERSONNEL

REFERENCE NO. 47 A

SHEET 10 OF 31

NOTES NIESE DATE 3/5/21
 H.C. RHOADES WEATHER SUNNY
 R.C. _____ TEMP. 30°

ROUTE SR 109
 COUNTY HENRY
 TOWNSHIP LIBERTY
 SECTION 25

DWG BY NIESE PID PAVE TRAIN

T 6 N R 7 E

TYPE MONUMENT MAG/WASHER

ON SURFACE - ~~BELOW~~ ON

OFFSET 0 PAVEMENT ON LT : RT

10.2' TO RT EDGE PAVEMENT

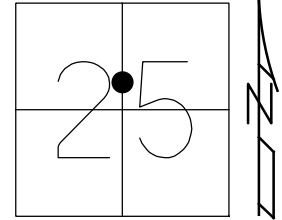
STATION: 1130+95.1

HORIZ.DATUM: NAD83 2011

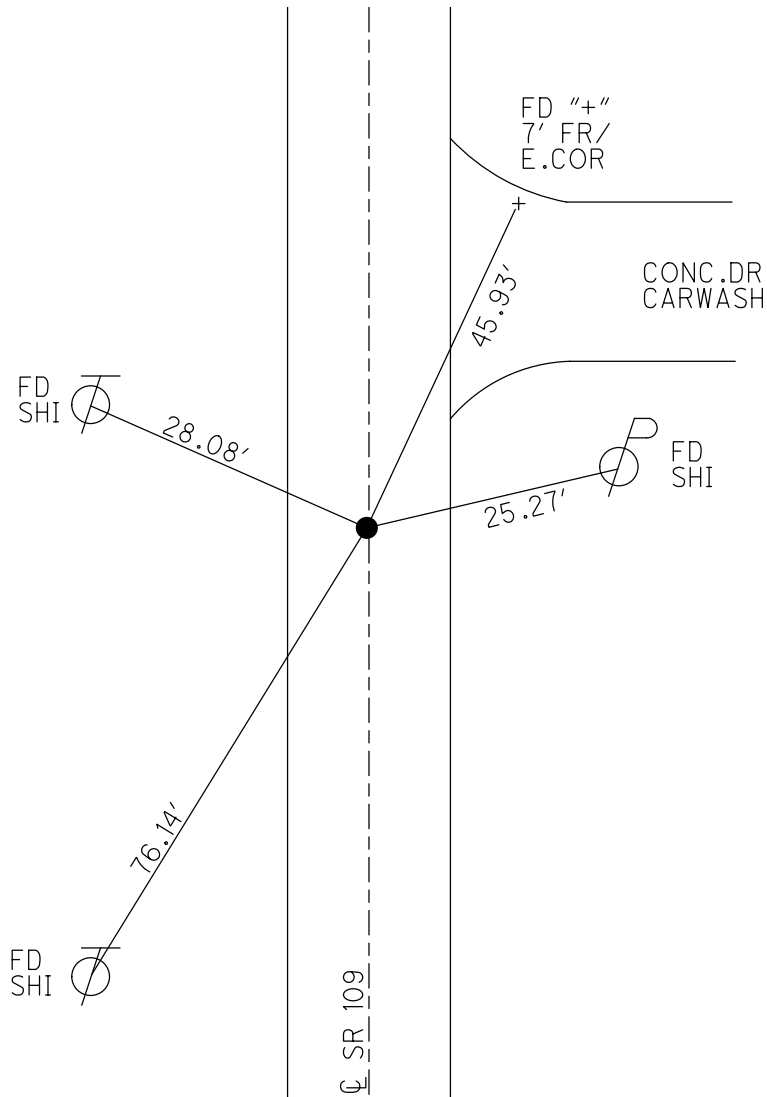
GEOID: NAVD88 2012A

GRID: NORTHING: 653551.465

EASTING: 1554912.426



RECORD:
 SET P.K./WASHER
 9/28/92
 FD P.K./WASHER
 8/19/02, TMR
 SET MAG/WASHER
 12/10/02, DCH
 FD MAG/WASHER
 2/5/16
 SET MAG/WASHER
 8/4/17, JLL
 FD MAG/WASHER
 REFA47
 6/11/20, JFO
 3/5/21, JMR

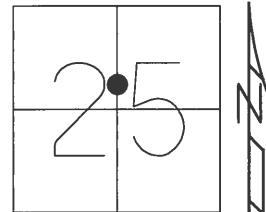


O.D.O.T. DISTRICT 2 SURVEY OFFICE (USE ONLY)

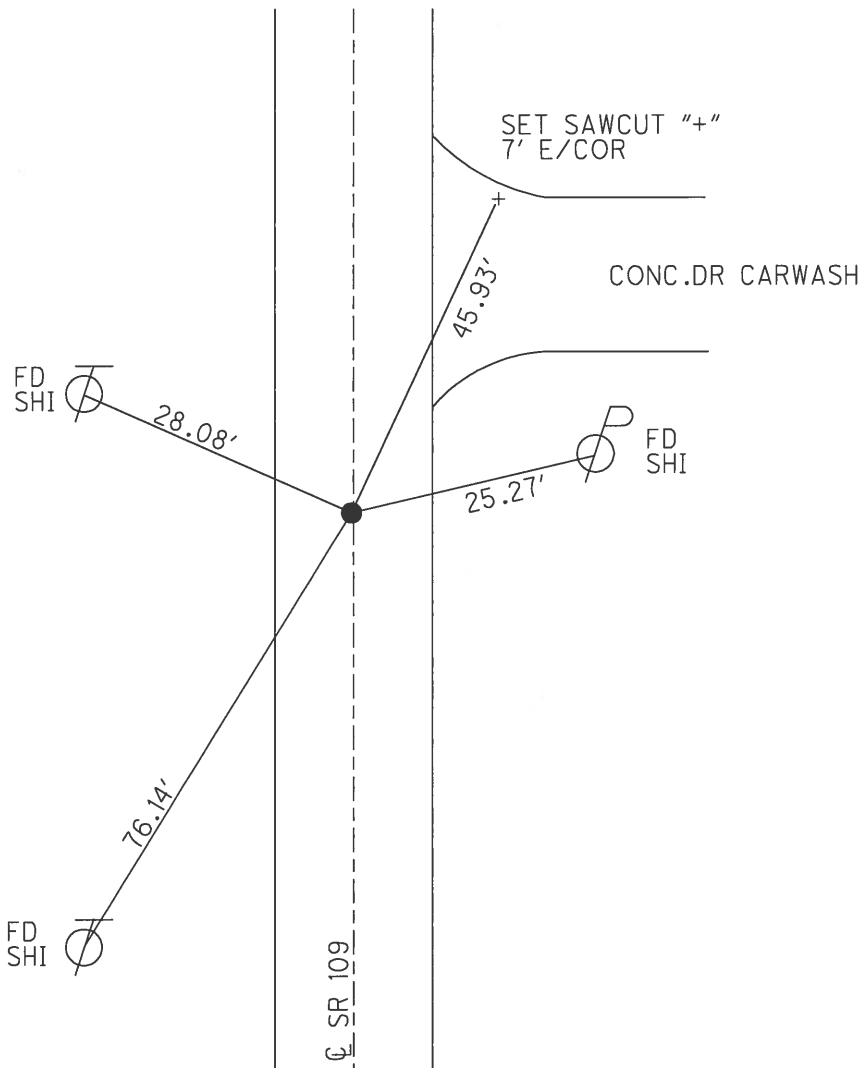
PERSONNEL _____ REFERENCE NO. 47 A SHEET 6 OF 8

NOTES LEU DATE 4/25/17 ROUTE SR 109
 H.C. LEU WEATHER PTLY CLOUDY COUNTY HENRY
 R.C. HELDMAN TEMP. 60° TOWNSHIP LIBERTY
 _____ SECTION 25
 _____ T 6 N R 7 E

TYPE MONUMENT MAG/WASHER
 ON SURFACE - ~~BELOW~~ ON
 LEFT - ☉ PAV'T - RIGHT ON
10.2' TO RT EDGE PAVEMENT
 S.L.M. 1130+95.1
 GRID: NORTHING: 653551.465 EASTING: 1554912.426



RECORD:
 SET P.K./WASHER
 9/28/92
 FD P.K./WASHER
 8/19/02, TMR
 SET MAG/WASHER
 12/10/02, DCH
 FD MAG/WASHER
 REFA47
 2/5/16
 SET MAG/WASHER
 8/4/17, JLL



O.D.O.T. DISTRICT 2 SURVEY OFFICE

PERSONNEL

REFERENCE NO. 47A

SHEET 11 OF 27

NOTES MICHALAK

H.C. Rousos

DATE 8-19-02

ROUTE SR 109

R.C. BEAUMONT

WEATHER Cloudy

COUNTY HENRY

TEMP. + 90°

TOWNSHIP LIBERTY

SECTION 25

T6 N R 7 E

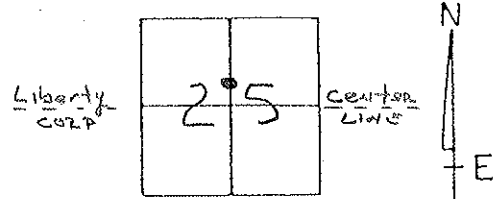
TYPE MONUMENT P.K. & WASHER

ON SURFACE - BELOW ON

~~LEFT~~ - 0 PAV'T. - RIGHT 0.5

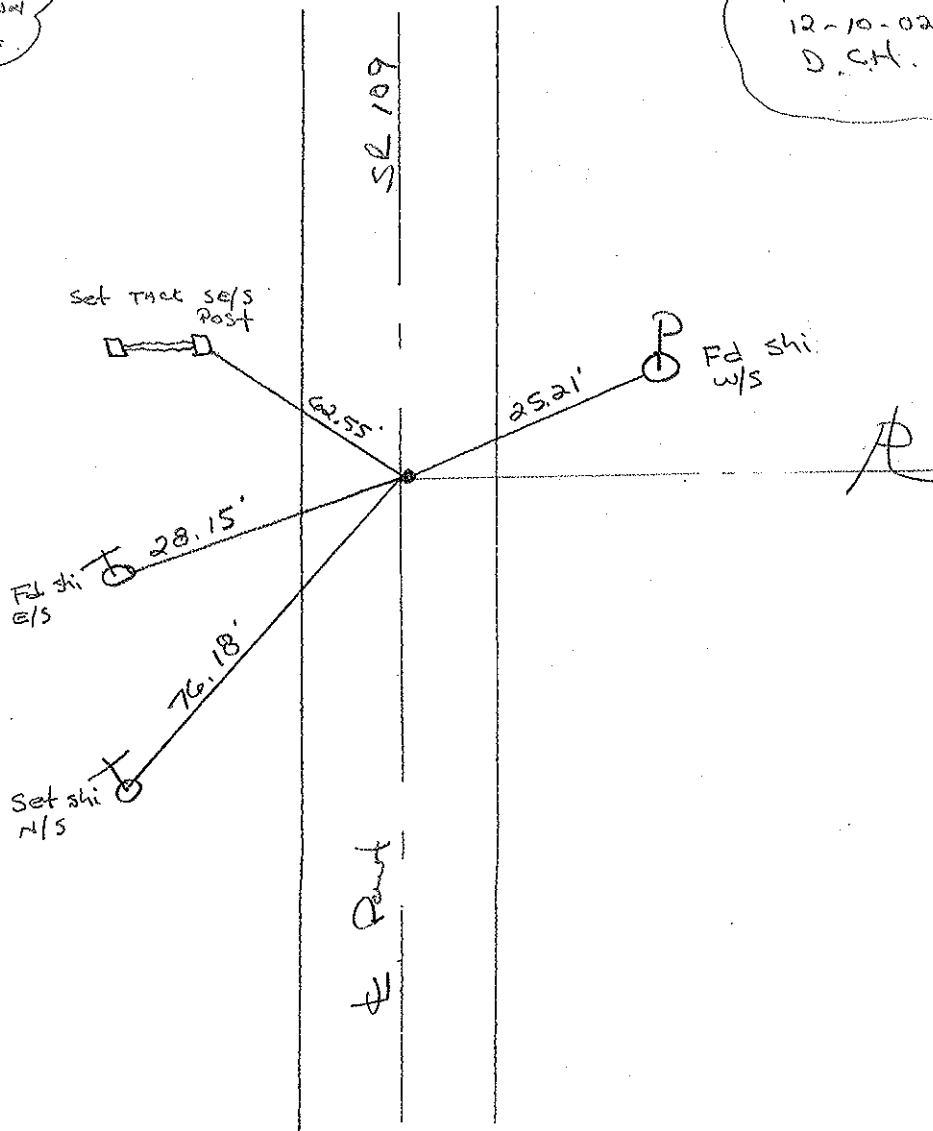
10.2 TO RT. EDGE PAVEMENT

S.L.M. 1131 + 00



Records:
Set P.K. & WASHER 9-28-92
ORIGINAL POINT FOUND ON
11-17-81 WAS NOT SET
BY ODOT

Set MAG NAIL
& WASHER
12-10-02
D.S.H.



O.D.O.T. DISTRICT 2 SURVEY OFFICE

PERSONNEL

REFERENCE NO. 47-A

SHEET OF

NOTES VAN DUSEN

H.C. BARNHISEL

R.C. KUSZ

DATE 8-3-92

WEATHER CLEAR

TEMP. +75° F.

ROUTE S.R. 109

COUNTY HENRY

TOWNSHIP LIBERTY

SECTION 25

T. 6 N. R. 7 E

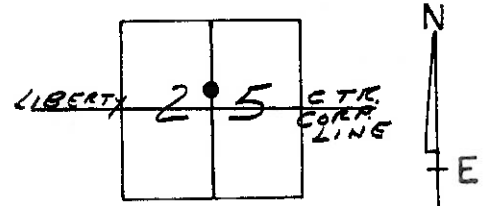
TYPE MONUMENT P.K. & WASHER

ON SURFACE - ~~BELOW~~ YES

LEFT - ~~0~~ PAV'T. - RIGHT 0.5

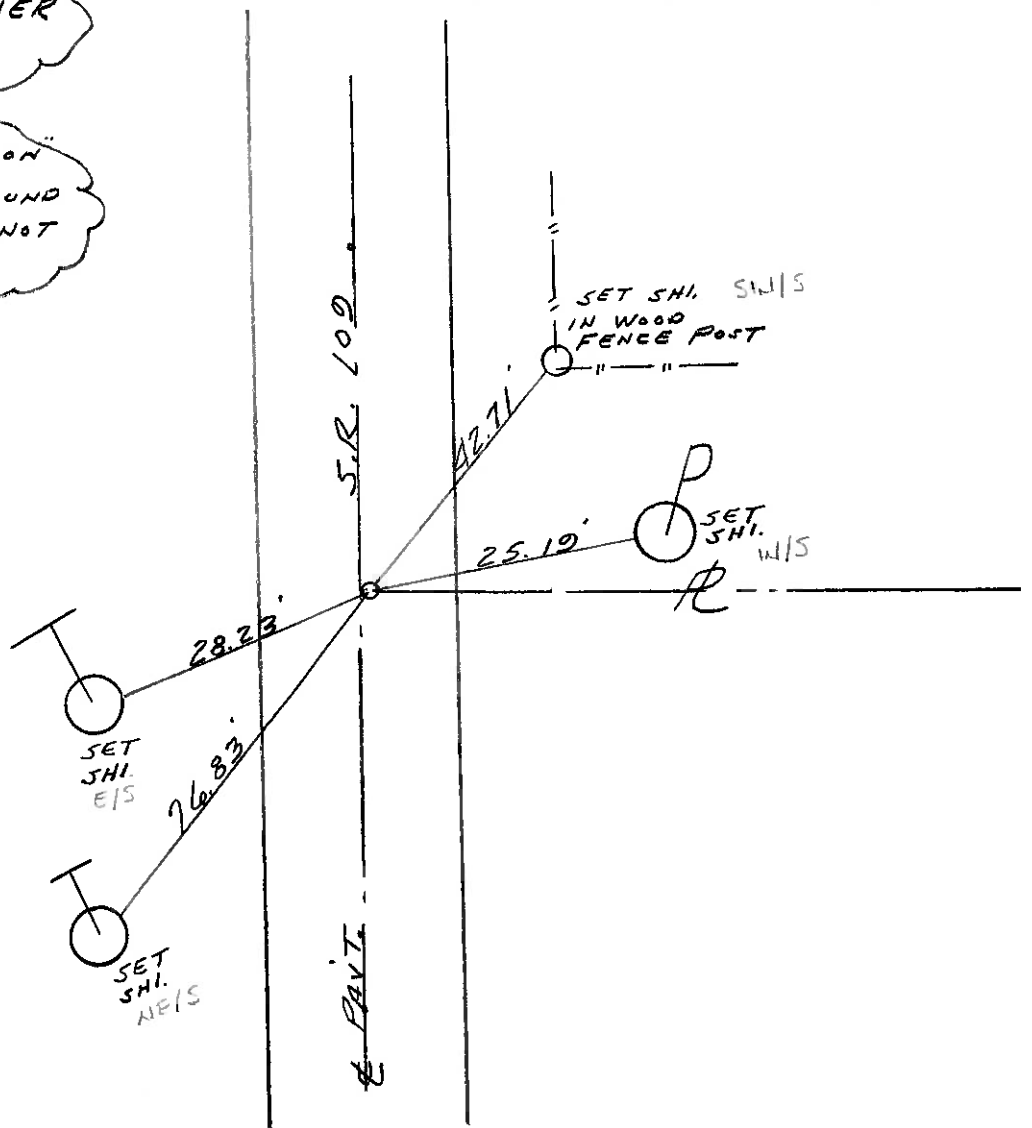
10.2 TO RT. EDGE PAVEMENT

S.L.M. 1131+00



SET P.K. & WASHER
9-28-92

NOTE:
"RECORD INFORMATION"
ORIGINAL POINT FOUND
ON 11-17-81 WAS NOT
SET BY ODOT



County Henry S.R. 109

Date 11-17-81

Township Liberty

Weather Rain

Section 25

Temp. +40°

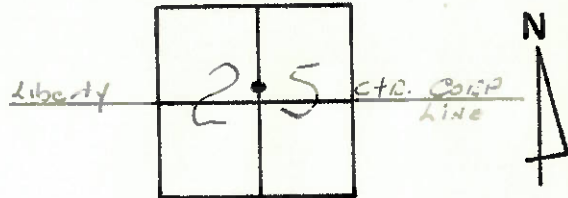
T6N, R7E

Personnel HOFFMAN

Householder

Loehrke

47-A



Fd P.K. @ surface

Project sta. ± 1131 + 17

@ 1/2 of Paut.

Re-Set P.K. & WASHES 5-17-82 - S.W.H.

Not set by ODOT

