

O.D.O.T. DISTRICT 2 SURVEY OFFICE (USE ONLY)

PERSONNEL

REFERENCE NO. 47 B

SHEET 11 OF 31

NOTES NIESE DATE 3/5/21  
 H.C. RHOADES WEATHER SUNNY  
 R.C. \_\_\_\_\_ TEMP. 30°

ROUTE SR 109  
 COUNTY HENRY  
 TOWNSHIP LIBERTY  
 SECTION 25

DWG BY NIESE PID PAVE TRAIN

T 6 N R 7 E

TYPE MONUMENT MAG NAIL

ON SURFACE - ~~BELOW~~ ON

OFFSET  $\odot$  PAVEMENT ON LT : RT

10.0' TO LT EDGE PAVEMENT

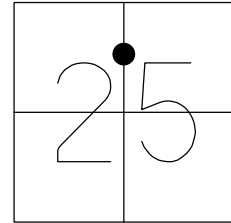
STATION: 1134+48.3

HORIZ.DATUM: NAD83 2011

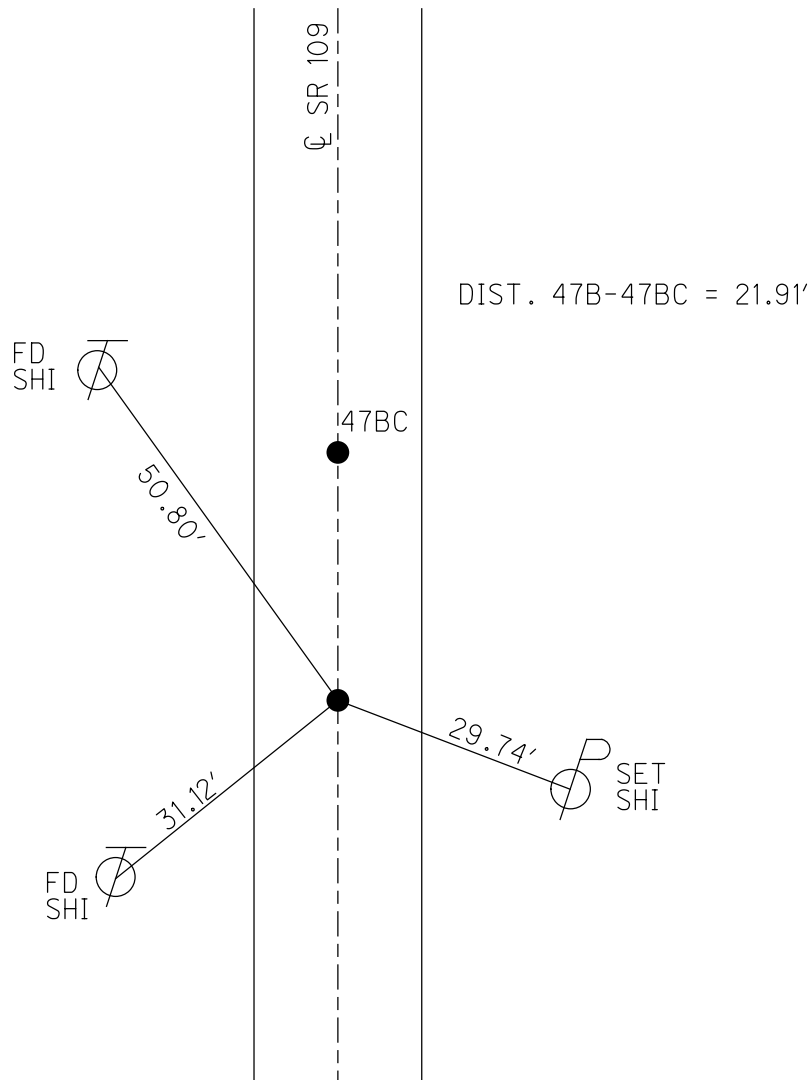
GEOID: NAVD88 2012A

GRID: NORTHING: 653904.937

EASTING: 1554918.885



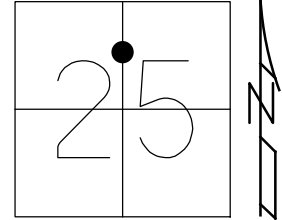
RECORD:  
 FD MAG/WASHER  
 4/25/17, JLL  
 FD MAG NAIL  
 REFB47  
 6/11/20, JFO  
 3/5/21,  
 1/11/23, JMR



O.D.O.T. DISTRICT 2 SURVEY OFFICE (USE ONLY)

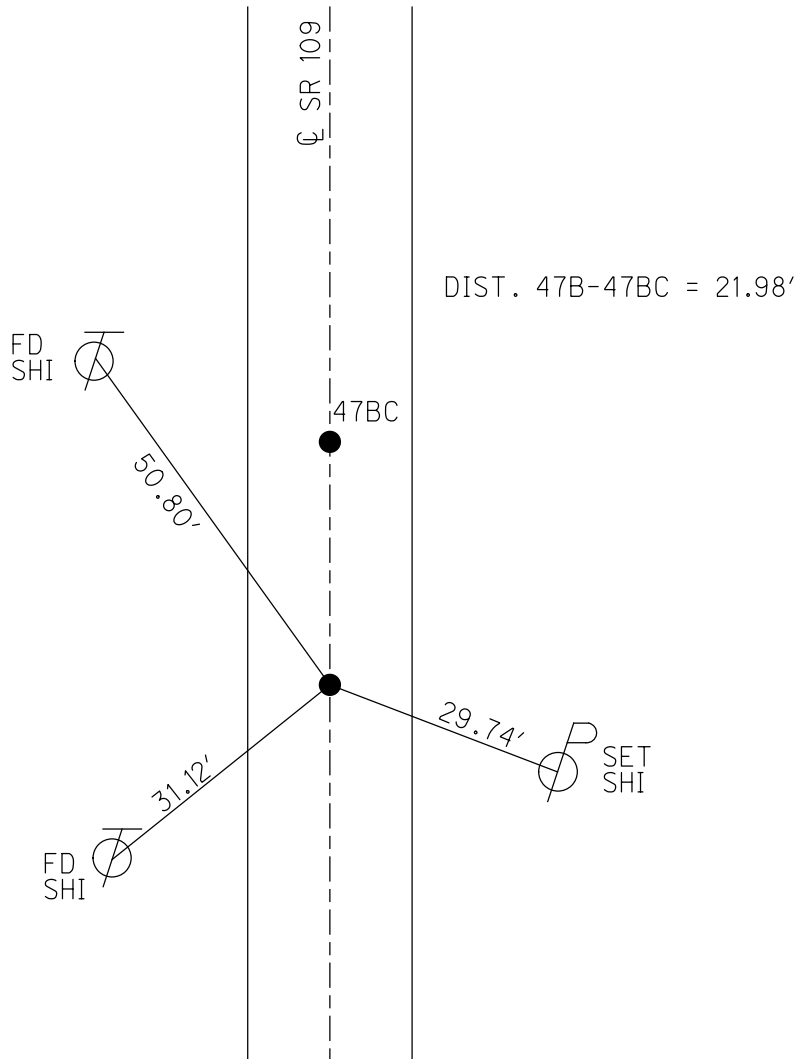
PERSONNEL \_\_\_\_\_ REFERENCE NO. 47 B SHEET 11 OF 31  
 NOTES NIESE DATE 3/5/21 ROUTE SR 109  
 H.C. RHOADES WEATHER SUNNY COUNTY HENRY  
 R.C. \_\_\_\_\_ TEMP. 30° TOWNSHIP LIBERTY  
 DWG BY NIESE PID PAVE TRAIN SECTION 25  
 T 6 N R 7 E

TYPE MONUMENT MAG NAIL  
 ON SURFACE - ~~BELOW~~ ON  
 OFFSET Q PAVEMENT ON LT : RT  
10.0' TO LT EDGE PAVEMENT  
 STATION: 1134+52



HORZ. DATUM: NAD83 2011 GEOID: NAVD88 2012A  
 GRID: NORTHING: 653904.937 EASTING: 1554918.885

RECORD:  
 FD MAG/WASHER  
 4/25/17, JLL  
 FD MAG NAIL  
 REFB47  
 6/11/20, JFO  
 3/5/21, JMR

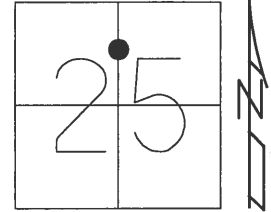


O.D.O.T. DISTRICT 2 SURVEY OFFICE (USE ONLY)

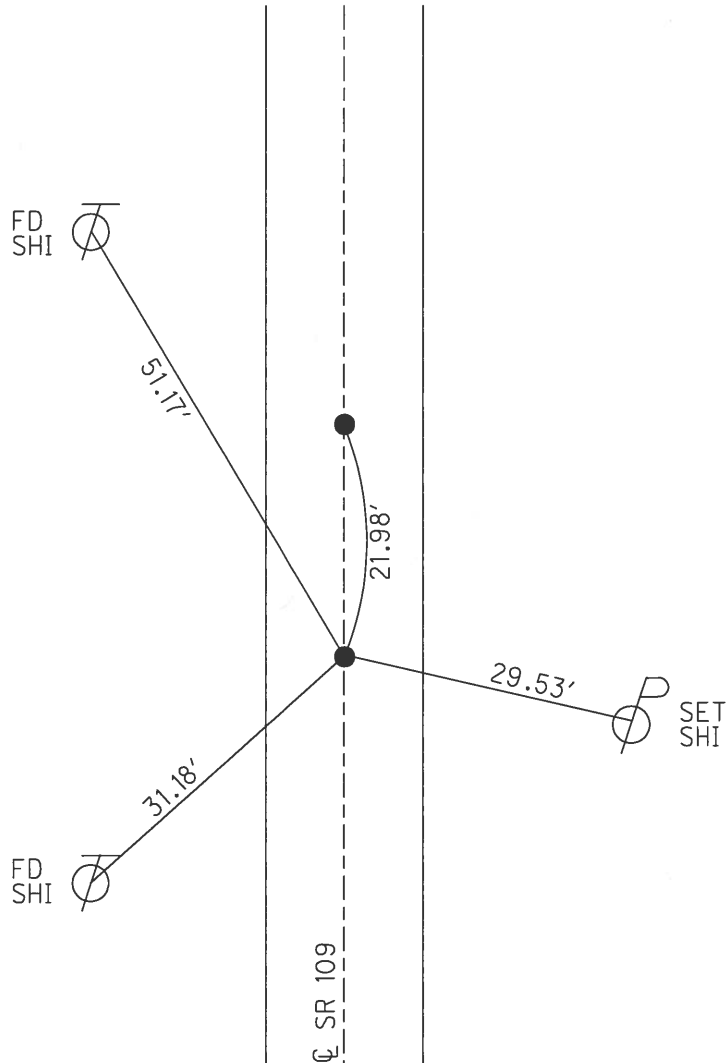
PERSONNEL \_\_\_\_\_ REFERENCE NO. 47 B SHEET 7 OF 8

NOTES MICHALAK DATE 8/19/02 ROUTE SR 109  
H.C. ROUSOS WEATHER CLOUDY COUNTY HENRY  
R.C. BEAUMONT TEMP. 90° TOWNSHIP LIBERTY  
SECTION 25  
T 6 N R 7 E

TYPE MONUMENT P.K./WASHER  
ON SURFACE - ~~BELOW~~ ON \_\_\_\_\_  
LEFT - ☉ PAV'T - ~~RIGHT~~ 1.0'  
10' TO LT EDGE PAVEMENT  
S.L.M. 1134+52  
GRID: NORTHING: 653904.937 EASTING: 1554918.885



RECORD:  
FD MAG/WASHER  
REFB45  
4/25/17, JLL



O.D.O.T. DISTRICT 2 SURVEY OFFICE

PERSONNEL

REFERENCE NO. 47B

SHEET 12 OF 27

NOTES MICHALAK

DATE 8-19-02

ROUTE S.R. 109

H.C. ROUSOS

WEATHER CLOUDY

COUNTY HENRY

R.C. BEAUMONT

TEMP. 90

TOWNSHIP LIBERTY

SECTION 25

T 6 N R 7 E

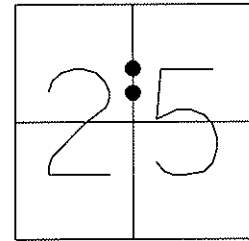
TYPE MONUMENT PK & WASHER

ON SURFACE - ~~BELOW~~ ON

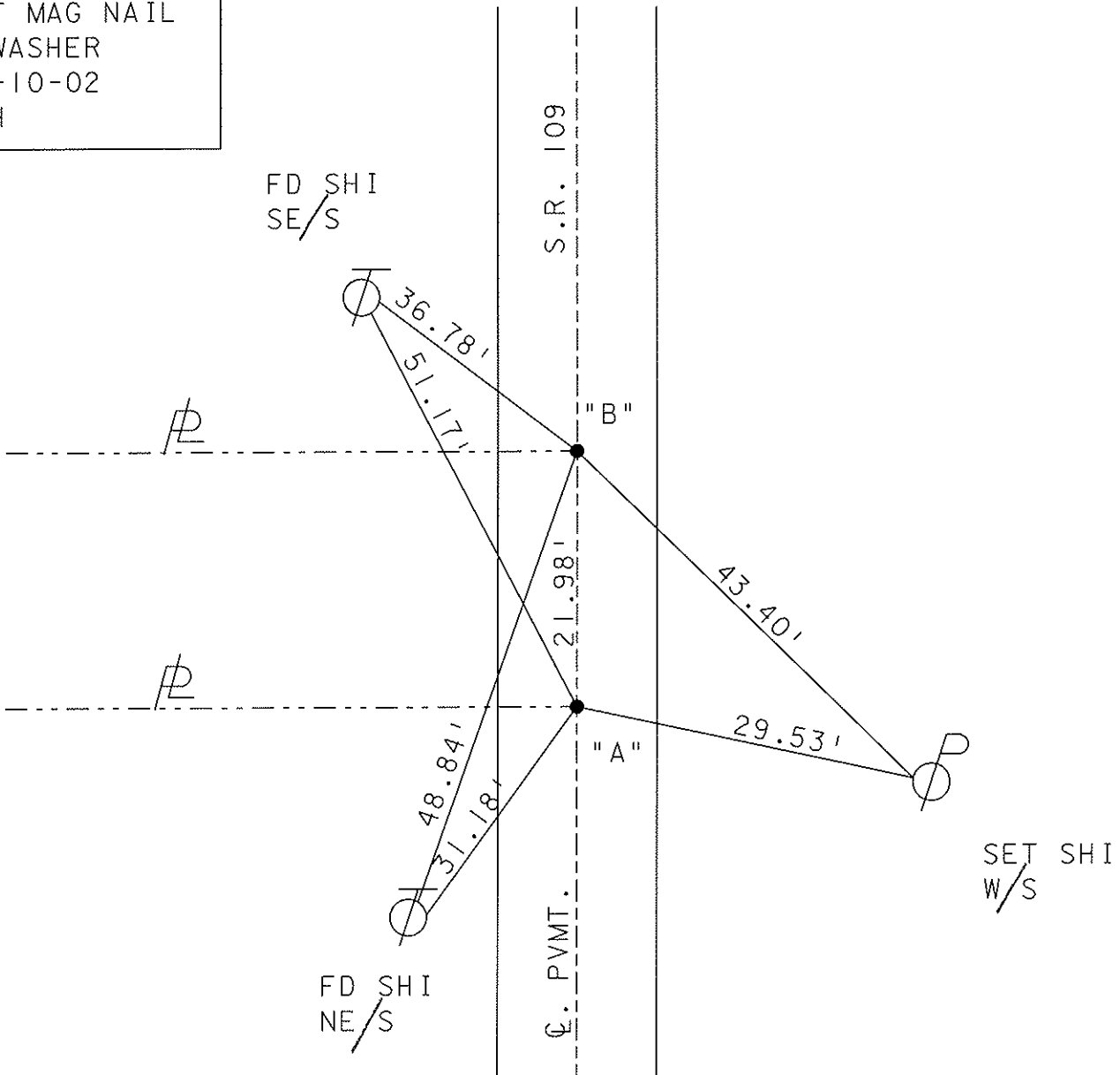
LEFT - ~~Q PAVT - RIGHT~~ 1.0'

10' TO LT EDGE PAVEMENT

S.L.M. 1134+52 PT A



SET MAG NAIL  
& WASHER  
12-10-02  
DCH



O.D.O.T. DISTRICT 2 SURVEY OFFICE

PERSONNEL

REFERENCE NO. 47-B

SHEET \_\_\_\_\_ OF \_\_\_\_\_

NOTES VAN DUSEN

H.C. BARNHISEL

R.C. KUSZ

DATE 8-3-92

WEATHER CLEAR

TEMP. +75° F.

ROUTE S.R. 109

COUNTY HENRY

TOWNSHIP LIBERTY

SECTION 25

T 6 N R 7 E

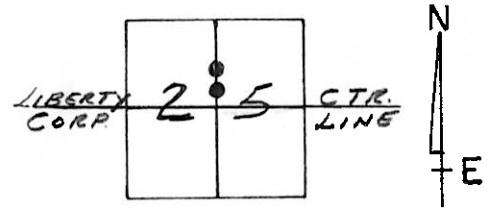
TYPE MONUMENT P.K. & WASHER

ON SURFACE - BELOW YES

LEFT - 0 PAV'T. - RIGHT 1.0'

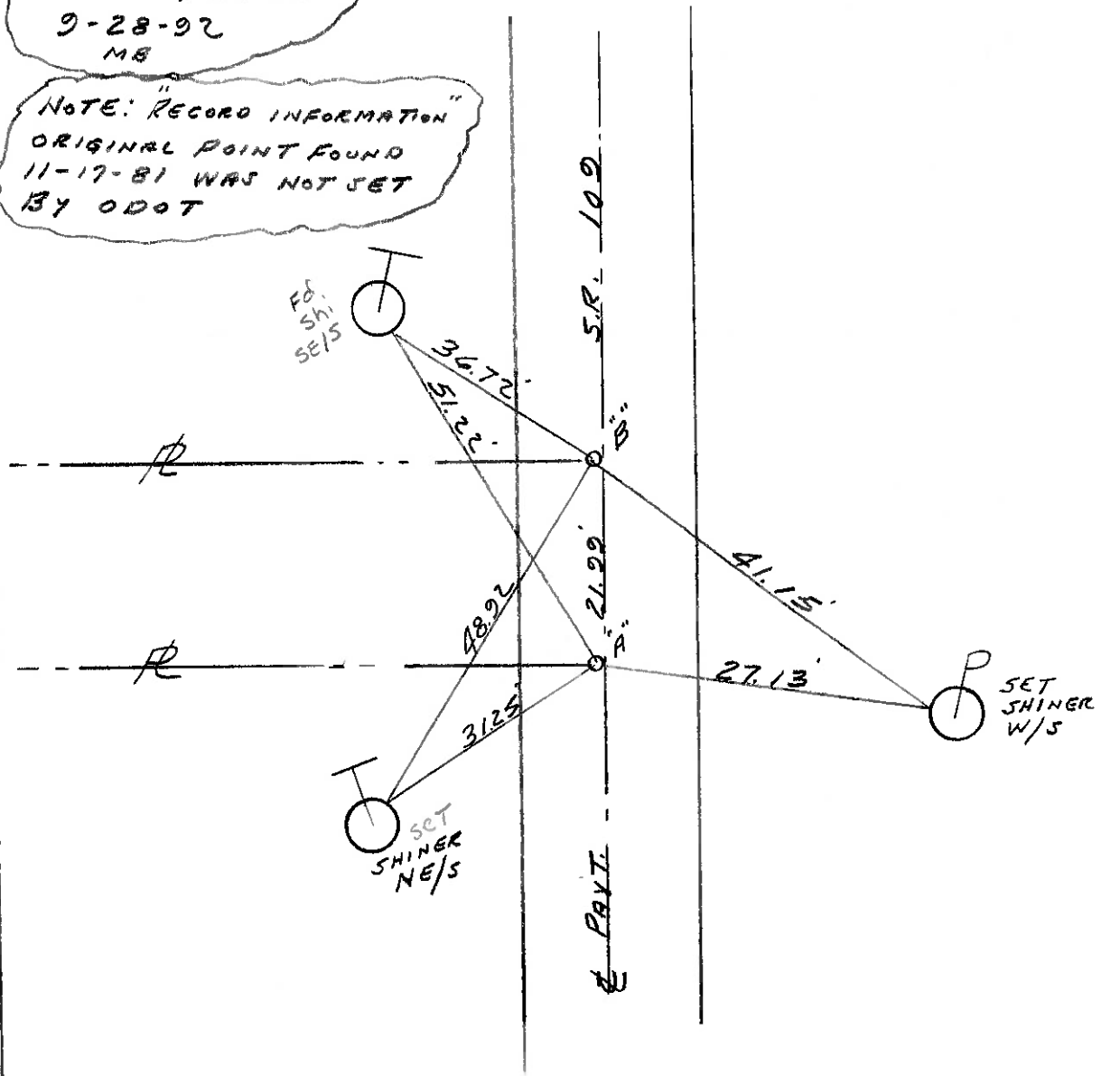
10.4 TO LT. EDGE PAVEMENT

S.L.M. 1134+52 PT. A"



SET PK & WASHERS  
9-28-92  
MB

NOTE: "RECORD INFORMATION"  
ORIGINAL POINT FOUND  
11-17-81 WAS NOT SET  
BY ODOT



ODOT. DISTRICT 2 SURVEY OFFICE

SHEET \_\_\_\_\_ OF \_\_\_\_\_

County Henry S.R. 109

Township Liberty

Section 25

T6N, R1E

Personnel HOFFMAN

Householder

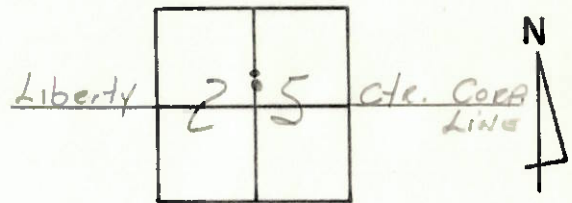
Loebke

47-B

Date 11-17-81

Weather Rain

Temp. +40°



Pts. "A" & "B" Ed. P.K. @ surface @  $\phi$  of paut.

Not set by ODOT

Pt. "A" Project STA  $\pm$  1134+71

Re-Set P.K. & Washer 5-17-82 S.W.H.

