

O.D.O.T. DISTRICT 2 SURVEY OFFICE (USE ONLY)

PERSONNEL

REFERENCE NO. 47 BC

SHEET 12 OF 31

NOTES NIESE DATE 3/5/21

H.C. RHOADES WEATHER SUNNY

R.C. \_\_\_\_\_ TEMP. 30°

ROUTE SR 109

COUNTY HENRY

TOWNSHIP LIBERTY

SECTION 25

DWG BY NIESE PID PAVE TRAIN

T 6 N R 7 E

TYPE MONUMENT MAG/WASHER

ON SURFACE - ~~BELOW~~ ON

OFFSET  $\odot$  PAVEMENT ON LT : RT

10.0' TO LT EDGE PAVEMENT

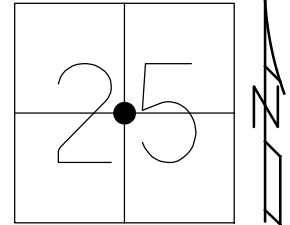
STATION: 1134+70.2

HORZ. DATUM: NAD83 2011

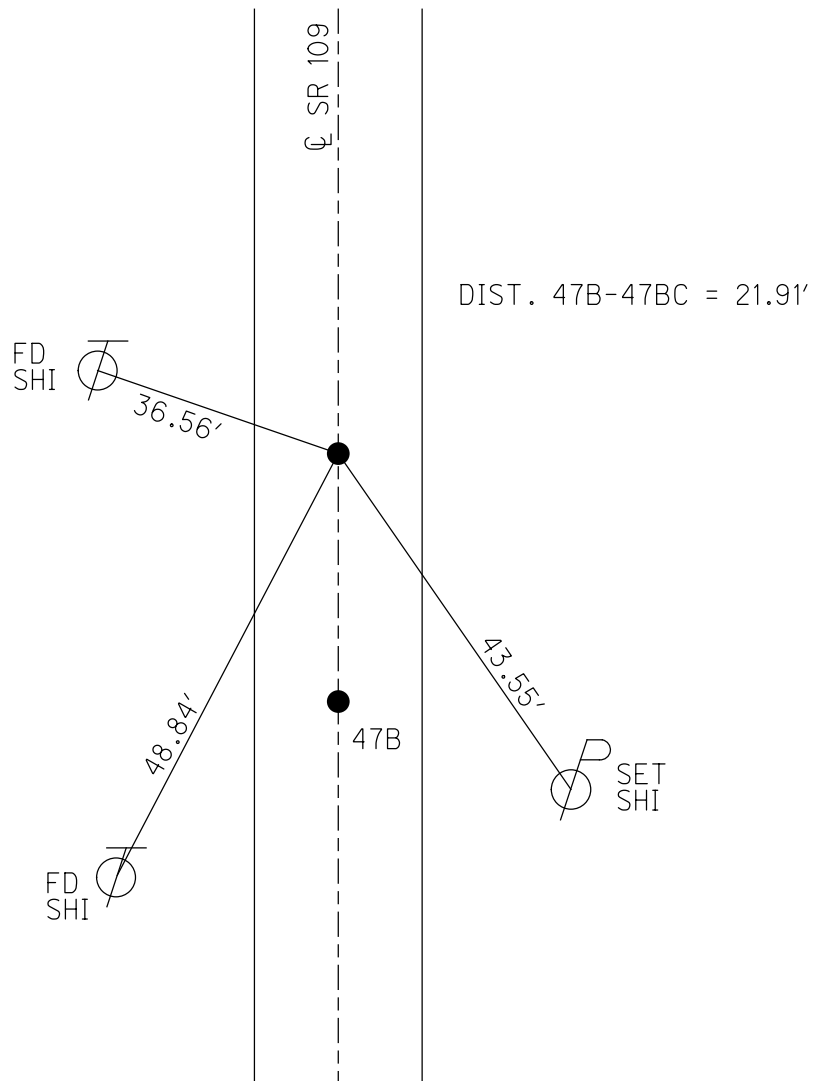
GEOID: NAVD88 2012A

GRID: NORTHING: 653926.842

EASTING: 1554919.368



RECORD:  
 FD MAG/WASHER  
 4/25/17, JLL  
 SET MAG NAIL  
 REFBC47  
 6/11/20, JFO  
 FD MAG SHANK  
 3/5/21,  
 1/11/23, JMR



O.D.O.T. DISTRICT 2 SURVEY OFFICE (USE ONLY)

PERSONNEL

REFERENCE NO. 47 BC

SHEET 12 OF 31

NOTES NIESE

DATE 3/5/21

ROUTE SR 109

H.C. RHOADES

WEATHER SUNNY

COUNTY HENRY

R.C. \_\_\_\_\_

TEMP. 30°

TOWNSHIP LIBERTY

DWG BY NIESE

PID PAVE TRAIN

SECTION 25

T 6 N R 7 E

TYPE MONUMENT MAG/WASHER

ON SURFACE - ~~BELOW~~ ON

OFFSET Q PAVEMENT ON LT : RT

10.0' TO LT EDGE PAVEMENT

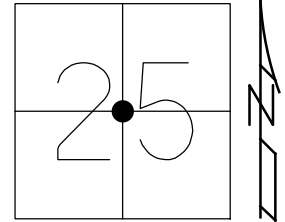
STATION: 1134+74

HORZ. DATUM: NAD83 2011

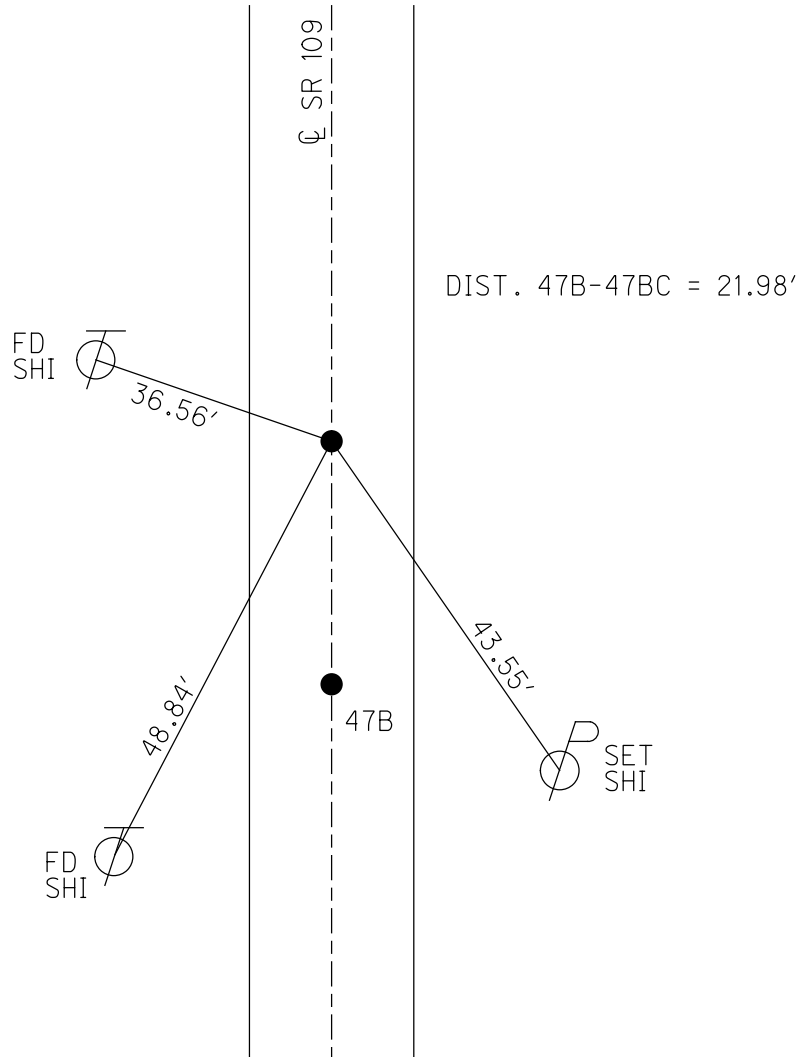
GEOID: NAVD88 2012A

GRID: NORTHING: 653926.842

EASTING: 1554919.368



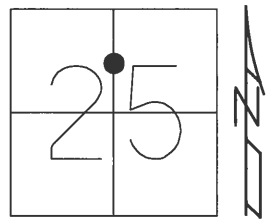
RECORD:  
 FD MAG/WASHER  
 4/25/17, JLL  
 SET MAG NAIL  
 REFBC47  
 6/11/20, JFO  
 FD MAG SHANK  
 3/5/21, JMR



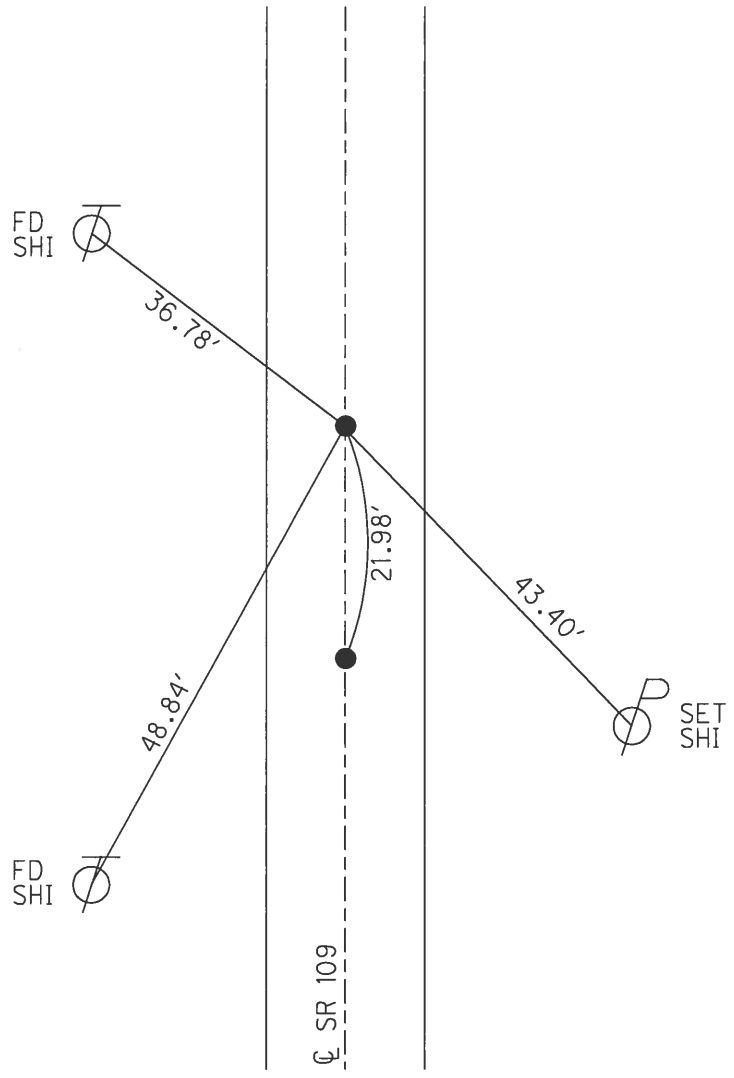
O.D.O.T. DISTRICT 2 SURVEY OFFICE (USE ONLY)

PERSONNEL \_\_\_\_\_ REFERENCE NO. 47 BC SHEET 8 OF 8  
 NOTES MICHALAK DATE 8/19/02 ROUTE SR 109  
 H.C. ROUSOS WEATHER CLOUDY COUNTY HENRY  
 R.C. BEAUMONT TEMP. 90° TOWNSHIP LIBERTY  
 \_\_\_\_\_ SECTION 25  
 \_\_\_\_\_ T 6 N R 7 E

TYPE MONUMENT P.K./WASHER  
 ON SURFACE - ~~BELOW~~ ON \_\_\_\_\_  
 LEFT - CL PAV'T - ~~RIGHT~~ 1.0'  
10' TO LT EDGE PAVEMENT  
 S.L.M. 1134+74  
 GRID: NORTHING: 653926.928 EASTING: 1554919.299



RECORD:  
 FD MAG/WASHER  
 REFC45  
 4/25/17, JLL



O.D.O.T. DISTRICT 2 SURVEY OFFICE

PERSONNEL

REFERENCE NO. 47B

SHEET 12 OF 27

NOTES MICHALAK

DATE 8-19-02

ROUTE S.R. 109

H.C. ROUSOS

WEATHER CLOUDY

COUNTY HENRY

R.C. BEAUMONT

TEMP. 90

TOWNSHIP LIBERTY

SECTION 25

T 6 N R 7 E

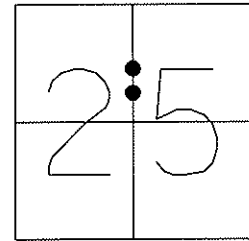
TYPE MONUMENT PK & WASHER

ON SURFACE - ~~BELOW~~ ON

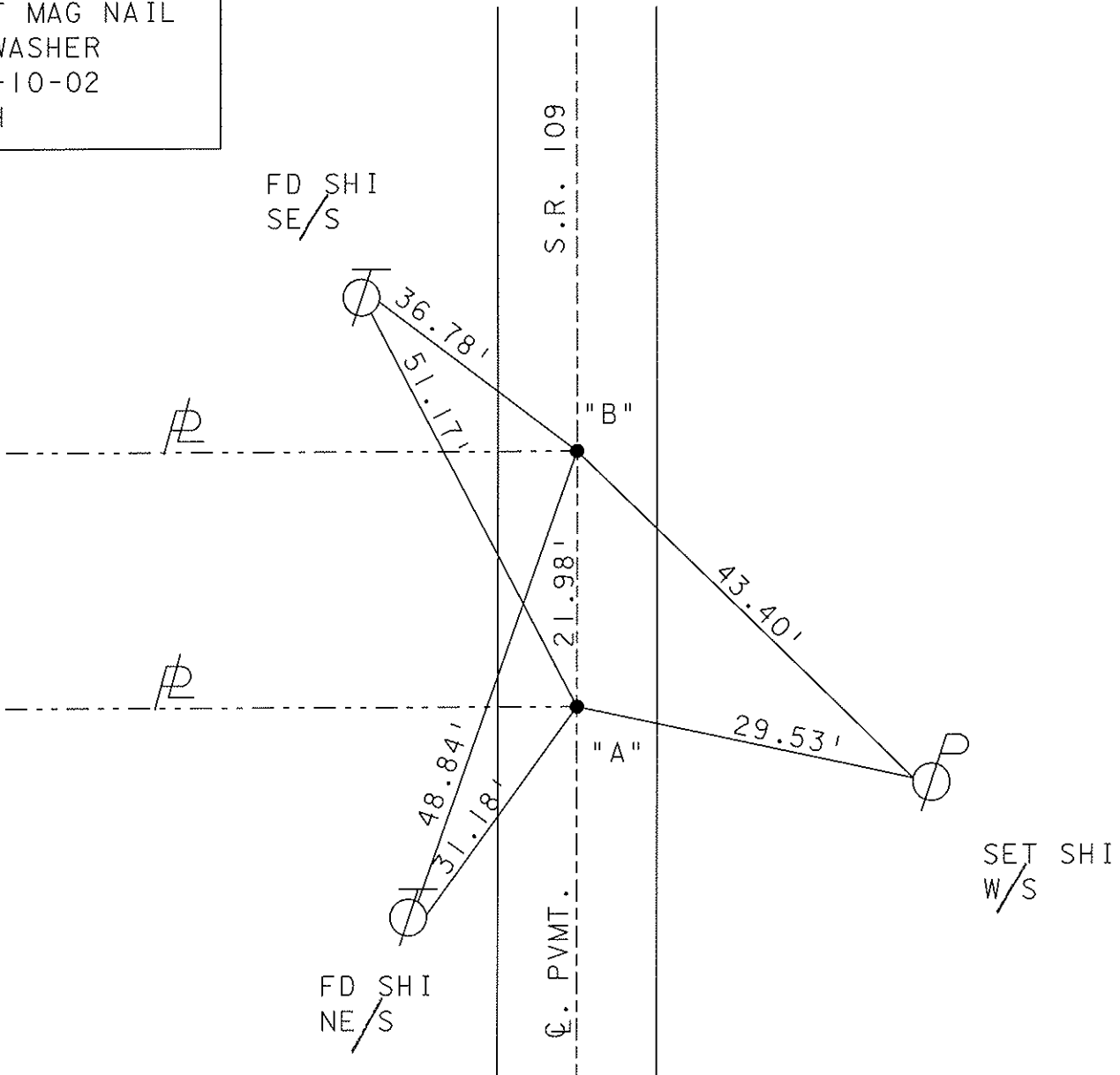
LEFT - ~~Q PAVT - RIGHT~~ 1.0'

10' TO LT EDGE PAVEMENT

S.L.M. 1134+52 PT A



SET MAG NAIL  
& WASHER  
12-10-02  
DCH



# O.D.O.T. DISTRICT 2 SURVEY OFFICE

PERSONNEL

REFERENCE NO. 47-B

SHEET \_\_\_\_\_ OF \_\_\_\_\_

NOTES VAN DUSEN

H.C. BARNHISEL

DATE 8-3-92

ROUTE S.R. 109

R.C. KUSZ

WEATHER CLEAR

COUNTY HENRY

TEMP. +75° F.

TOWNSHIP LIBERTY

SECTION 25

T 6 N R 7 E

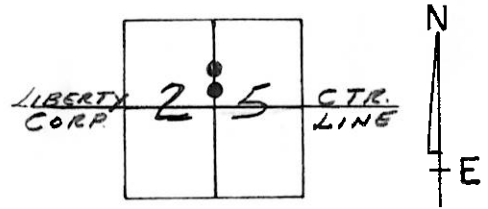
TYPE MONUMENT P.K. & WASHER

ON SURFACE - BELOW YES

LEFT - 0 PAV'T. - RIGHT 1.0'

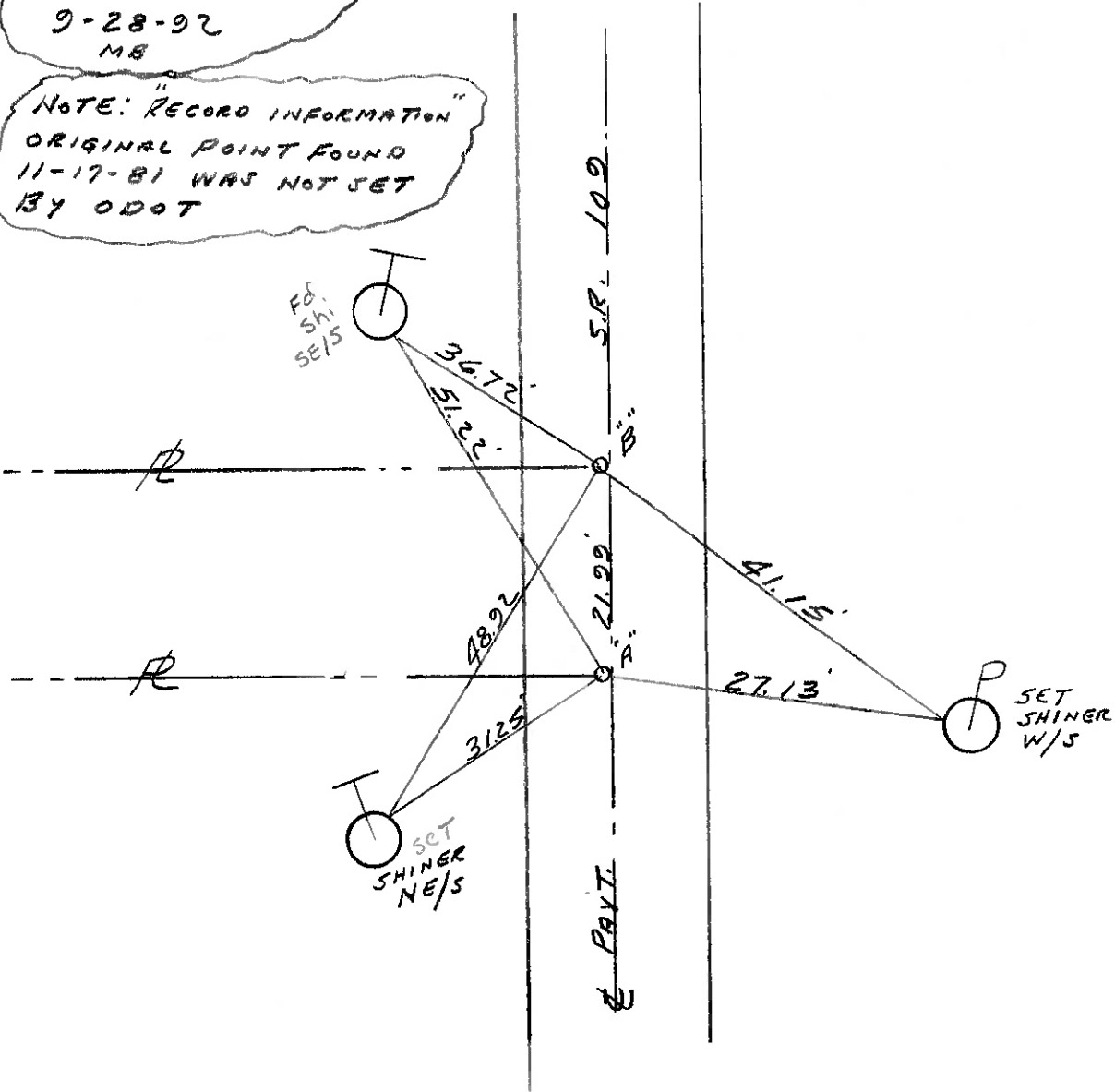
10.4 TO LT. EDGE PAVEMENT

S.L.M. 1134+52 PT. A"



SET PK & WASHERS  
9-28-92  
MB

NOTE: "RECORD INFORMATION"  
ORIGINAL POINT FOUND  
11-17-81 WAS NOT SET  
BY ODOT



ODOT. DISTRICT 2 SURVEY OFFICE

SHEET \_\_\_\_\_ OF \_\_\_\_\_

County Henry S.R. 109

Date 11-17-81

Township Liberty

Weather Rain

Section 25

Temp. +40°

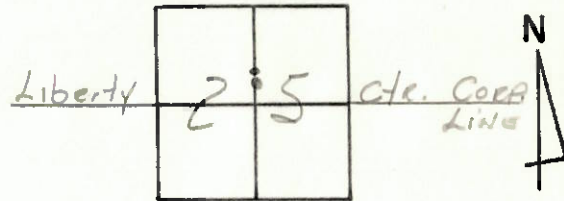
T6N, R1E

Personnel HOFFMAN

Householder

Loebke

47-B



Pts. "A" & "B" Ed. P.K. @ surface @  $\phi$  of paut.

Pt. "A" Project STA  $\pm$  1134+71

Not set by ODOT

Re-Set P.K. & Washer 5-17-82 S.W.H.

