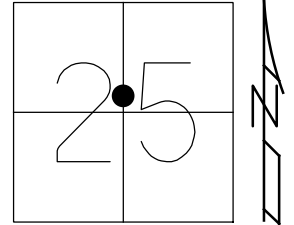


O.D.O.T. DISTRICT 2 SURVEY OFFICE (USE ONLY)

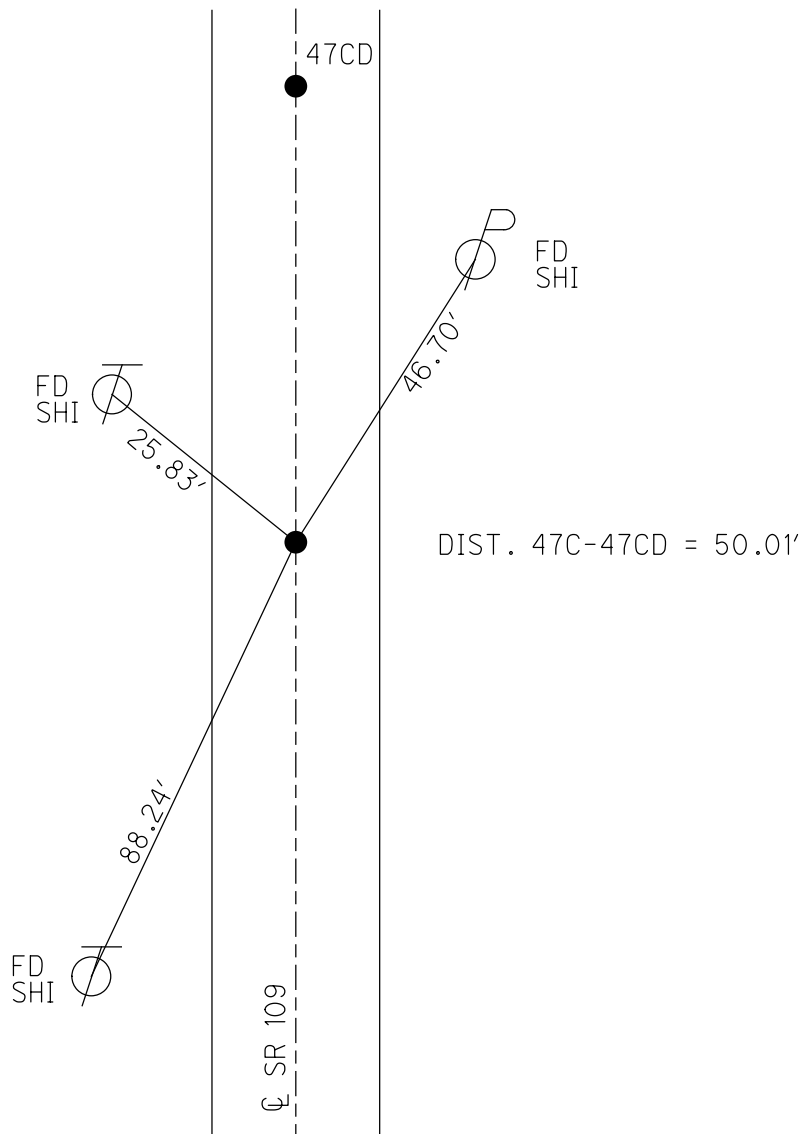
PERSONNEL _____ REFERENCE NO. 47 C SHEET 13 OF 31
 NOTES NIESE DATE 3/5/21 ROUTE SR 109
 H.C. RHOADES WEATHER SUNNY COUNTY HENRY
 R.C. _____ TEMP. 30° TOWNSHIP LIBERTY
 _____ SECTION 25
 DWG BY NIESE PID PAVE TRAIN T 6 N R 7 E

TYPE MONUMENT MAG/WASHER
 ON SURFACE - ~~BELOW~~ ON
 OFFSET \odot PAVEMENT ON LT : RT
10.0' TO LT EDGE PAVEMENT
 STATION: 1135+70.1



HORZ. DATUM: NAD83 2011 GEOID: NAVD88 2012A
 GRID: NORTHING: 654026.765 EASTING: 1554921.157

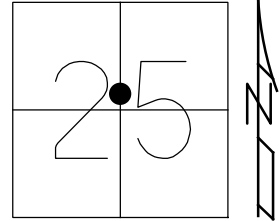
RECORD:
 FD P.K./WASHER
 8/19/02, TMR
 SET MAG/WASHER
 12/2/02, DCH
 FD MAG/WASHER
 2/26/19, JLL
 FD MAG/WASHER
 REFC47
 6/11/20, JFO
 3/5/21,
 1/11/23, JMR



O.D.O.T. DISTRICT 2 SURVEY OFFICE (USE ONLY)

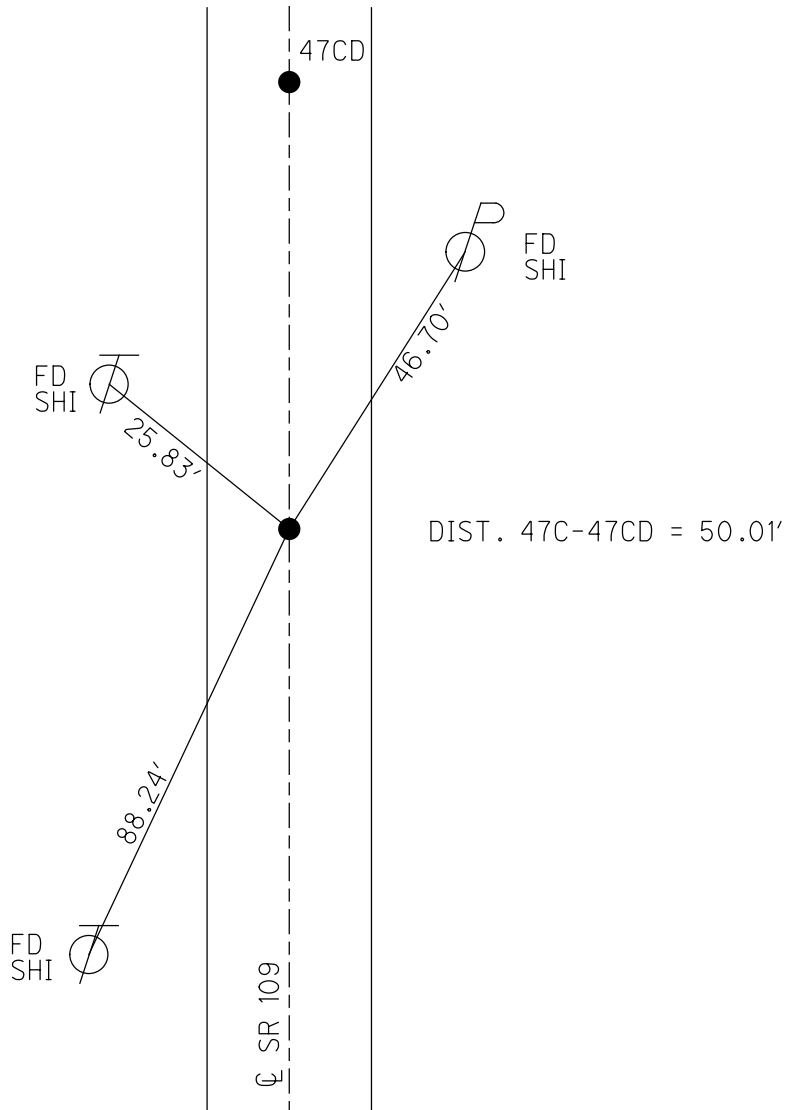
PERSONNEL _____ REFERENCE NO. 47 C SHEET 13 OF 31
 NOTES NIESE DATE 3/5/21 ROUTE SR 109
 H.C. RHOADES WEATHER SUNNY COUNTY HENRY
 R.C. _____ TEMP. 30° TOWNSHIP LIBERTY
 DWG BY NIESE PID PAVE TRAIN SECTION 25
 T 6 N R 7 E

TYPE MONUMENT MAG/WASHER
 ON SURFACE - ~~BELOW~~ ON
 OFFSET Q PAVEMENT ON LT : RT
10.0' TO LT EDGE PAVEMENT
 STATION: 1135+72



HORZ. DATUM: NAD83 2011 GEOID: NAVD88 2012A
 GRID: NORTHING: 654026.765 EASTING: 1554921.157

RECORD:
 FD P.K./WASHER
 8/19/02, TMR
 SET MAG/WASHER
 12/2/02, DCH
 FD MAG/WASHER
 2/26/19, JLL
 FD MAG/WASHER
 REFC47
 6/11/20, JFO
 3/5/21, JMR



O.D.O.T. DISTRICT 2 SURVEY OFFICE

PERSONNEL

REFERENCE NO. 47C

SHEET 13 OF 27

NOTES MICHALAK

DATE 8-19-02

ROUTE S.R. 109

H.C. ROUSOS

WEATHER CLOUDY

COUNTY HENRY

R.C. BEAUMONT

TEMP. 90

TOWNSHIP LIBERTY

SECTION 25

T 6 N R 7 E

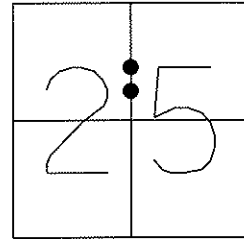
TYPE MONUMENT PK & WASHER

ON SURFACE - ~~BELOW~~ ON

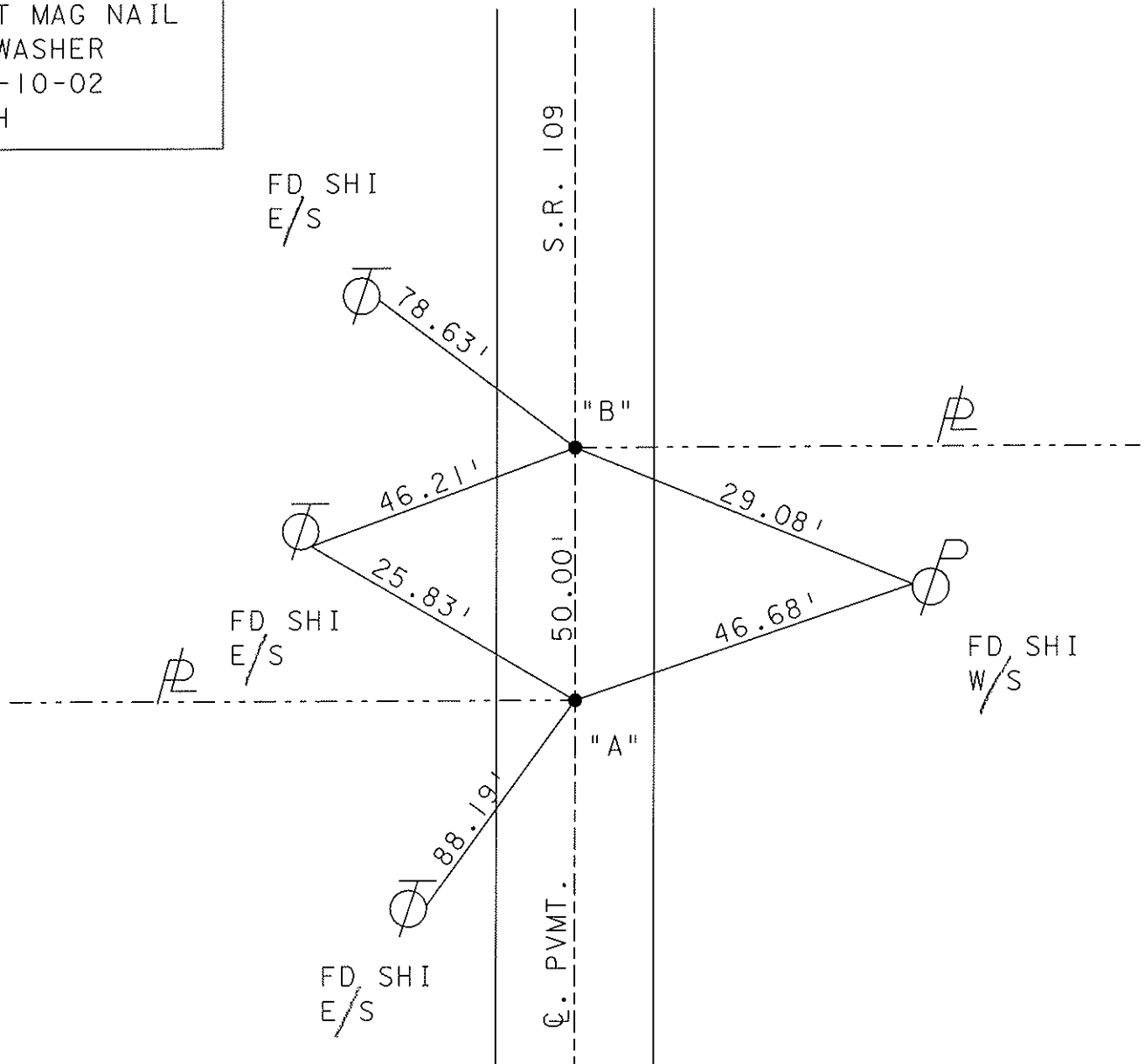
LEFT - ~~C~~ PAVT - RIGHT 0.8''

10' TO LT EDGE PAVEMENT

S.L.M. 1135+72 PT A



SET MAG NAIL
& WASHER
12-10-02
DCH



O.D.O.T. DISTRICT 2 SURVEY OFFICE

PERSONNEL _____

REFERENCE NO. 47-C

SHEET _____ OF _____

NOTES VAN DUSEN

H.C. BARNHISEL

DATE 8-3-92

ROUTE S.R. 109

R.C. KUSZ

WEATHER CLEAR

COUNTY HENRY

TEMP. +75° F

TOWNSHIP LIBERTY

SECTION 25

T6 NR 7 E

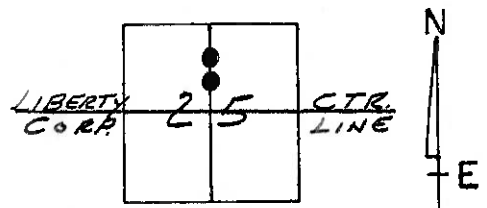
TYPE MONUMENT P.K. & WASHER

ON SURFACE - BELOW YES

LEFT- & PAV'T. - RIGHT 0.8

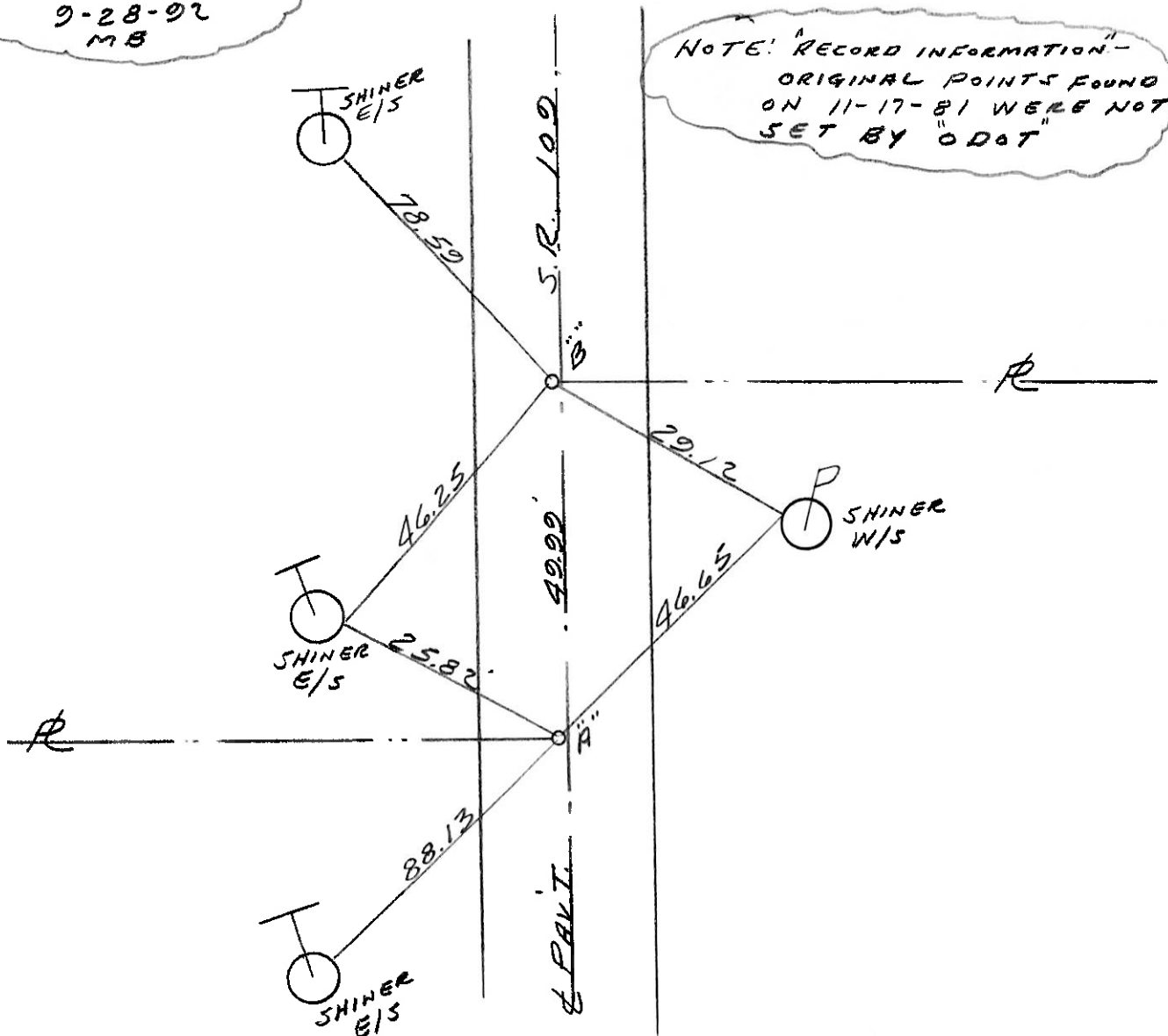
10.5 TO LT. EDGE PAVEMENT

S.L.M. PT. "A" = 1135+72



SET PK'S & WASHERS
9-28-92
MB

NOTE: "RECORD INFORMATION"
ORIGINAL POINTS FOUND
ON 11-17-81 WERE NOT
SET BY "ODOT"



O.D.O.T. DISTRICT 2 SURVEY OFFICE

SHEET _____ OF _____

County Henry S.R. 109

Date 11-17-81

Township Liberty

Weather RAIN

Section 25

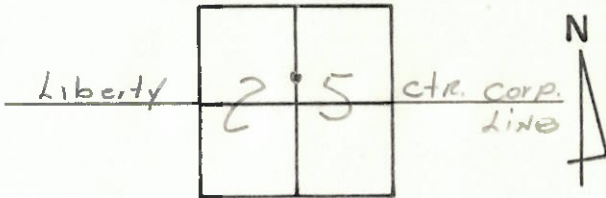
Temp. +40°

T6N, R1E

Personnel HOFFMAN

Householder

Loehrke



47-C

Pt. "A" P.L. @ SURFACE @ &
 Pt. "B" Nail @ SURFACE @ &

Pt. "A" Project STA ± 1135+92

Re-Set P.K. & WASHER - 5-17-82 SWM

Not set by ODOT

