

O.D.O.T. DISTRICT 2 SURVEY OFFICE (USE ONLY)

PERSONNEL

REFERENCE NO. 47 E

SHEET 17 OF 31

NOTES NIESE

DATE 3/5/21

ROUTE SR 109

H.C. RHOADES

WEATHER SUNNY

COUNTY HENRY

R.C. _____

TEMP. 30°

TOWNSHIP LIBERTY

DWG BY NIESE

PID PAVE TRAIN

SECTION 25

T 6 N R 7 E

TYPE MONUMENT MAG/WASHER

ON SURFACE - ~~BELOW~~ ON

OFFSET Q PAVEMENT ON LT : RT

10.0' TO LT EDGE PAVEMENT

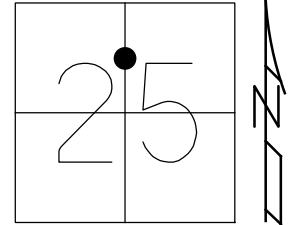
STATION: 1142+92.3

HORIZ.DATUM: NAD83 2011

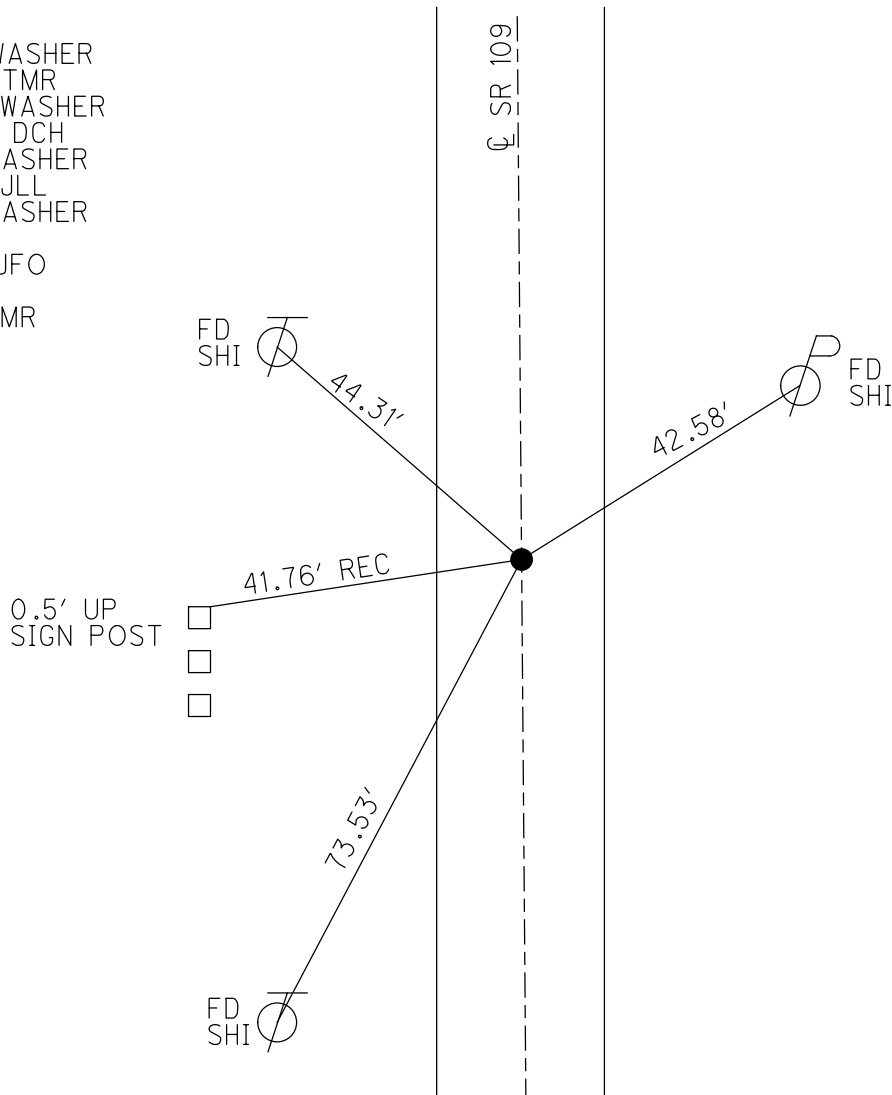
GEOID: NAVD88 2012A

GRID: NORTHING: 654748.864

EASTING: 1554934.349



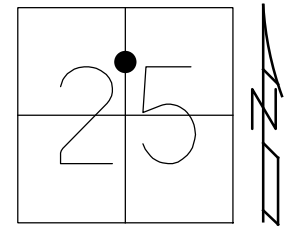
RECORD:
 FD P.K./WASHER
 8/19/02, TMR
 SET MAG/WASHER
 12/10/02, DCH
 FD MAG/WASHER
 2/26/19, JLL
 FD MAG/WASHER
 REFE47
 6/11/20, JFO
 3/5/21,
 1/11/23, JMR



O.D.O.T. DISTRICT 2 SURVEY OFFICE (USE ONLY)

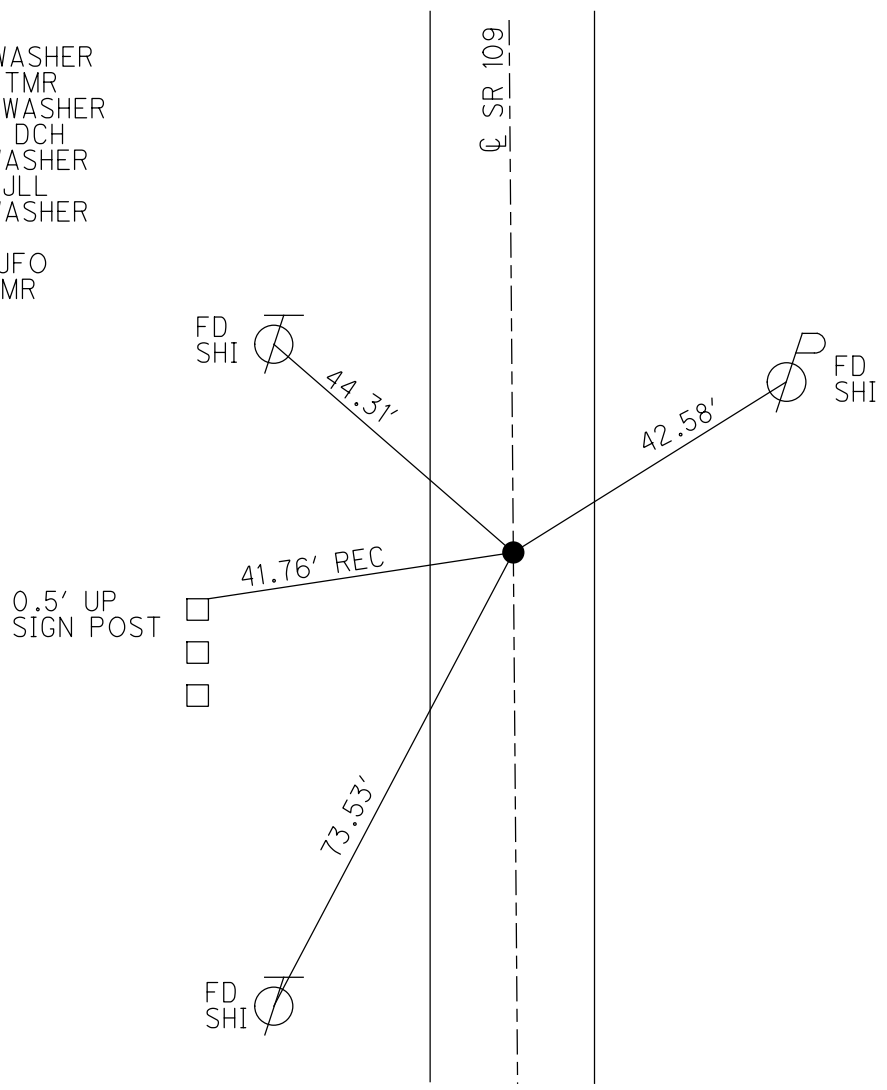
PERSONNEL _____ REFERENCE NO. 47 E SHEET 17 OF 31
 NOTES NIESE DATE 3/5/21 ROUTE SR 109
 H.C. RHOADES WEATHER SUNNY COUNTY HENRY
 R.C. _____ TEMP. 30° TOWNSHIP LIBERTY
 DWG BY NIESE PID PAVE TRAIN SECTION 25
 T 6 N R 7 E

TYPE MONUMENT MAG/WASHER
 ON SURFACE - ~~BELOW~~ ON
 OFFSET Q PAVEMENT ON LT : RT
10.0' TO LT EDGE PAVEMENT
 STATION: 1142+95



HORZ. DATUM: NAD83 2011 GEOID: NAVD88 2012A
 GRID: NORTHING: 654748.864 EASTING: 1554934.349

RECORD:
 FD P.K./WASHER
 8/19/02, TMR
 SET MAG/WASHER
 12/10/02, DCH
 FD MAG/WASHER
 2/26/19, JLL
 FD MAG/WASHER
 REFE47
 6/11/20, JFO
 3/5/21, JMR



O.D.O.T. DISTRICT 2 SURVEY OFFICE

PERSONNEL

REFERENCE NO. 47E

SHEET 15 OF 27

NOTES MICHALAK

DATE 8-19-02

ROUTE S.R. 109

H.C. ROUSOS

WEATHER CLOUDY

COUNTY HENRY

R.C. BEAUMONT

TEMP. 90

TOWNSHIP LIBERTY

SECTION 25

T 6 N R 7 E

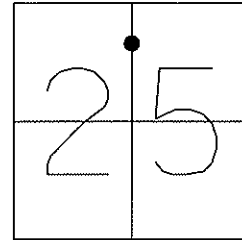
TYPE MONUMENT PK & WASHER

ON SURFACE - ~~BELOW~~ ON

LEFT - ~~C PAVT - RIGHT~~ 1.0'

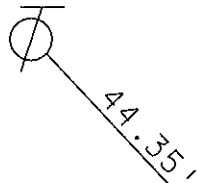
10' TO LT EDGE PAVEMENT

S.L.M. 1142+95



SET MAG NAIL
& WASHER
12-10-02
DCH

SET SHI
SE/S



S.R. 109

SET SHI
W/S

42.60'

FD SHI
NE/S

73.58'

℄. PVMT.

O.D.O.T. DISTRICT 2 SURVEY OFFICE

PERSONNEL _____ REFERENCE NO. 47-E SHEET _____ OF _____

NOTES VAN DUSEN

H.C. BARNHISEL

R.C. KUSZ

DATE 8-3-92

WEATHER CLEAR

TEMP. +75° F

ROUTE S.R. 109

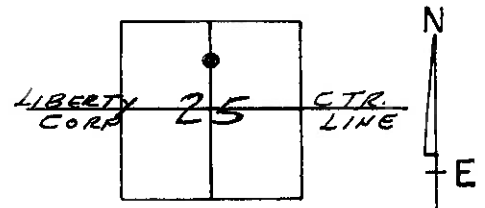
COUNTY HENRY

TOWNSHIP LIBERTY

SECTION 25

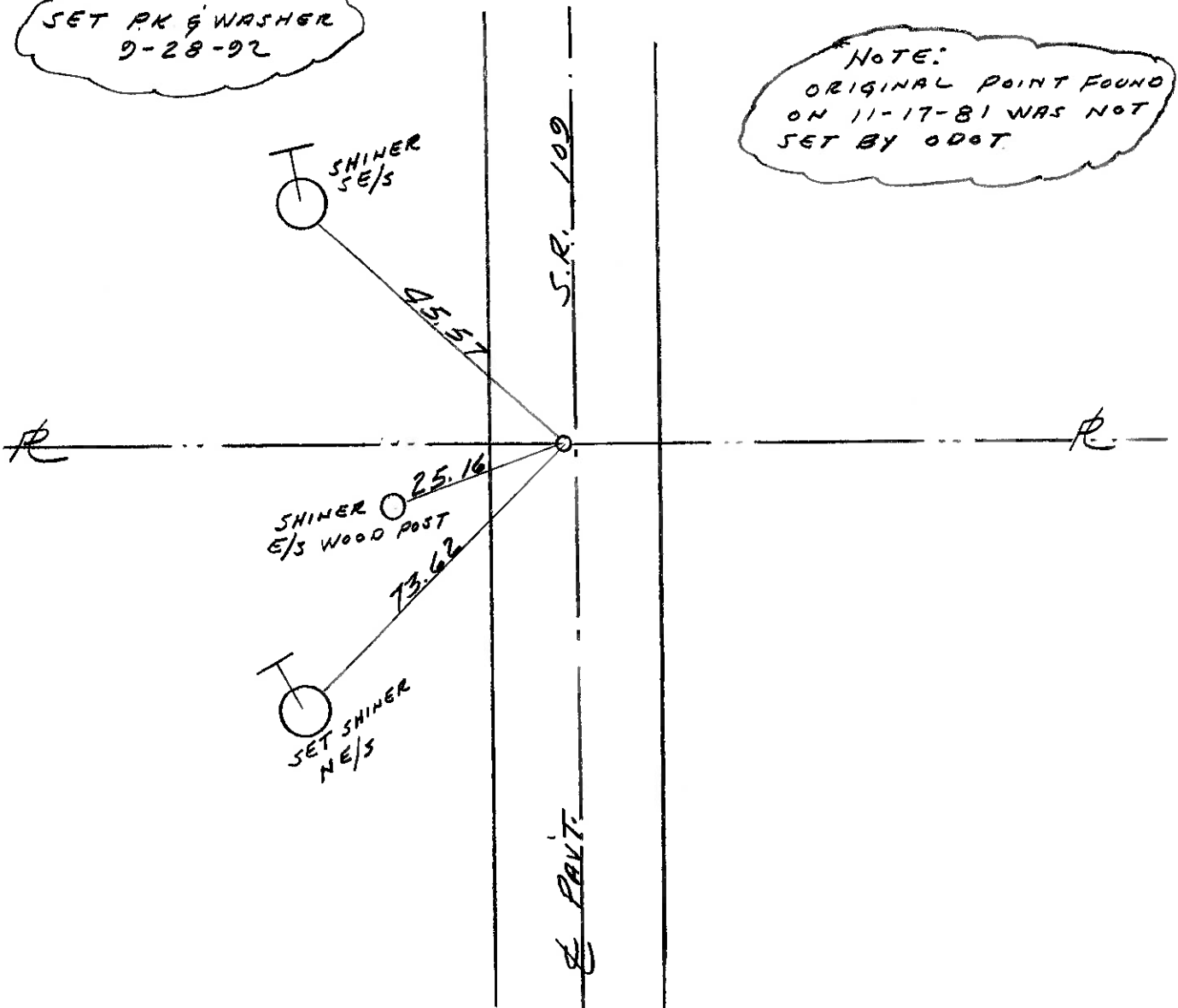
T 6 N R 7 E

TYPE MONUMENT P.K. & WASHER
 ON SURFACE - BELOW YES
 LEFT-0 PAV'T. - RIGHT 1.0
10.1 TO LT. EDGE PAVEMENT
 S.L.M. 1142+25



SET P.K. & WASHER
9-28-92

NOTE:
ORIGINAL POINT FOUND
ON 11-17-81 WAS NOT
SET BY ODOT



ODOT. DISTRICT 2 SURVEY OFFICE

SHEET _____ OF _____

County Henry S.R. 109

Date 11-17-81

Township Liberty

Weather overcast

Section 25

Temp. +40°

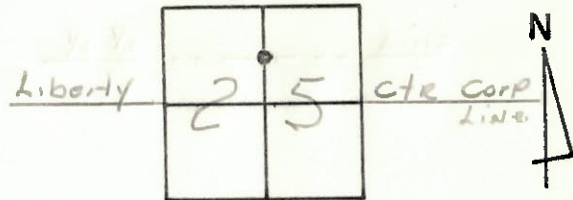
T6N, R7E

Personnel Hoffman

Householder

Lochrke

47-E



Fd. P.K @ surface
0.8' west of &

Product STA ± 1143+10

Not set by ODOT

Re-Set P.K f/washer 5-17-82 SWH.

