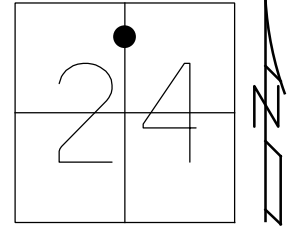


O.D.O.T. DISTRICT 2 SURVEY OFFICE (USE ONLY)

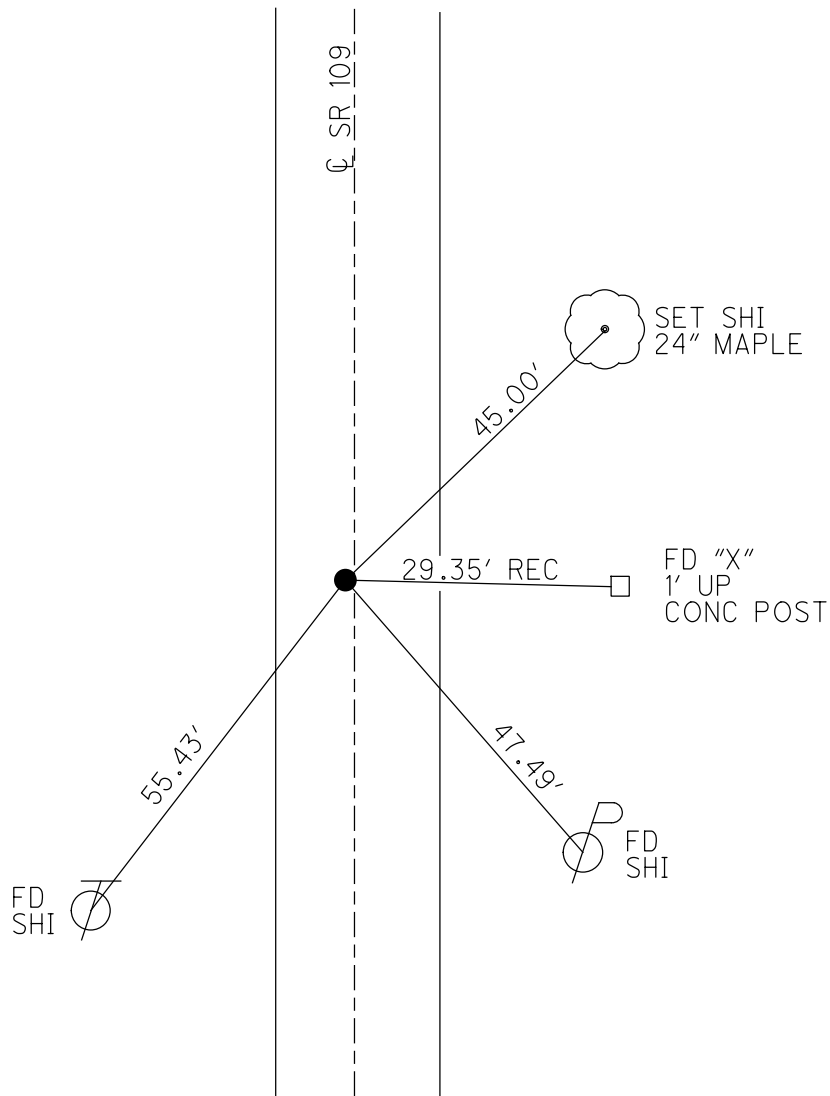
PERSONNEL _____ REFERENCE NO. 49 A SHEET 20 OF 31
 NOTES NIESE DATE 3/5/21 ROUTE SR 109
 H.C. RHOADES WEATHER SUNNY COUNTY HENRY
 R.C. _____ TEMP. 30° TOWNSHIP LIBERTY
 DWG BY NIESE PID PAVE TRAIN SECTION 24
 T 6 N R 7 E

TYPE MONUMENT MAG/WASHER
 ON SURFACE - ~~BELOW~~ ON
 OFFSET \odot PAVEMENT 0.6' LT : ~~RT~~
10' TO LT EDGE PAVEMENT
 STATION: 1201+86.3



HORZ. DATUM: NAD83 2011 GEOID: NAVD88 2012A
 GRID: NORTHING: 660642.920 EASTING: 1555046.901

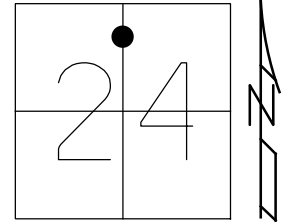
RECORD:
 FDP.K./WASHER
 8/19/02, TMR
 SET MAG/WASHER
 12/10/02, DCH
 FD MAG/WASHER
 2/26/19, JLL
 FD MAG/WASHER
 REFA49
 6/10/20, JFO
 3/5/21,
 1/11/23, JMR



O.D.O.T. DISTRICT 2 SURVEY OFFICE (USE ONLY)

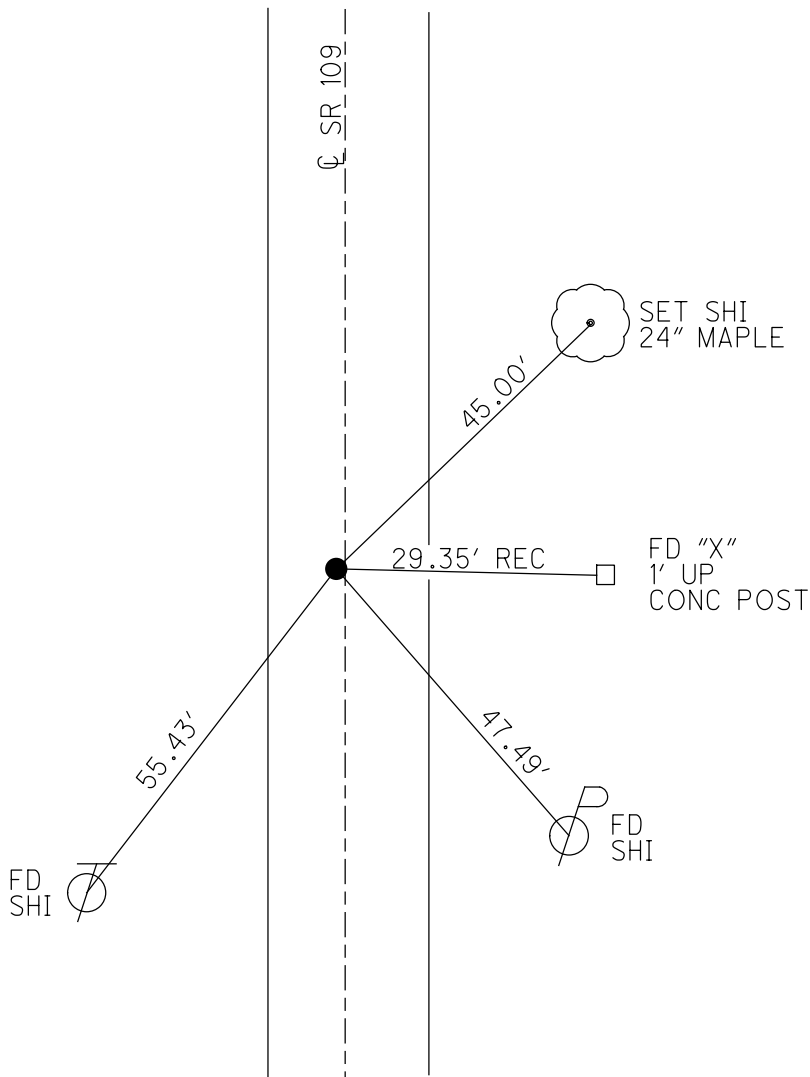
PERSONNEL _____ REFERENCE NO. 49 A SHEET 20 OF 31
 NOTES NIESE DATE 3/5/21 ROUTE SR 109
 H.C. RHOADES WEATHER SUNNY COUNTY HENRY
 R.C. _____ TEMP. 30° TOWNSHIP LIBERTY
 _____ SECTION 24
 DWG BY NIESE PID PAVE TRAIN T 6 N R 7 E

TYPE MONUMENT MAG/WASHER
 ON SURFACE - ~~BELOW~~ ON
 OFFSET Q PAVEMENT 0.6' LT : ~~RT~~
10' TO LT EDGE PAVEMENT
 STATION: 1201+89



HORZ. DATUM: NAD83 2011 GEOID: NAVD88 2012A
 GRID: NORTHING: 660642.920 EASTING: 1555046.901

RECORD:
 FDP.K./WASHER
 8/19/02, TMR
 SET MAG/WASHER
 12/10/02, DCH
 FD MAG/WASHER
 2/26/19, JLL
 FD MAG/WASHER
 REFA49
 6/10/20, JFO
 3/5/21, JMR



O.D.O.T. DISTRICT 2 SURVEY OFFICE

PERSONNEL

REFERENCE NO. 49A

SHEET 18 OF 27

NOTES MICHALAK

DATE 8-19-02

ROUTE S.R. 109

H.C. ROUSOS

WEATHER RAIN

COUNTY HENRY

R.C. BEAUMONT

TEMP. 90

TOWNSHIP LIBERTY

SECTION 24

T 6 N R 7 E

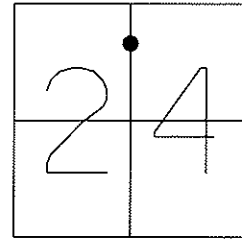
TYPE MONUMENT PK & WASHER

ON SURFACE - ~~BELOW~~ ON

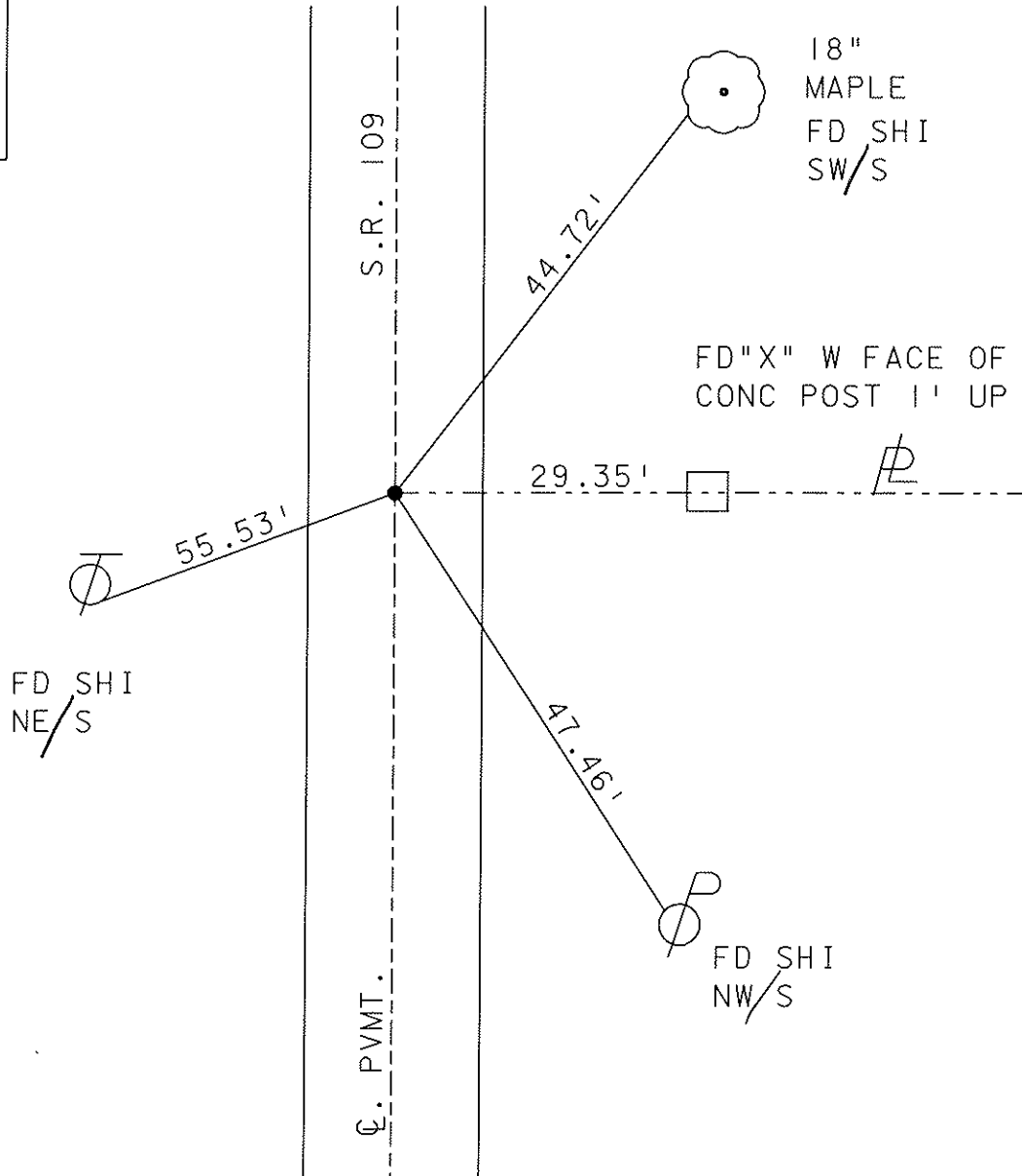
LEFT - ~~C PAVT~~ - ~~RIGHT~~ 0.6'

10' TO LT EDGE PAVEMENT

S.L.M. 1201+89



SET MAG NAIL
& WASHER
12-10-02
DCH



O.D.O.T. DISTRICT 2 SURVEY OFFICE

PERSONNEL _____ REFERENCE NO. 49-A SHEET _____ OF _____

NOTES BARNHISEL DATE 8-12-92 ROUTE 109

H.C. VAN DUSEN WEATHER CLEAR COUNTY HENRY

R.C. KUSZ TEMP. +75° TOWNSHIP LIBERTY

SECTION 24

T6 N R 7 E

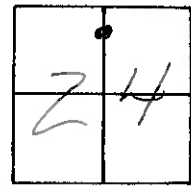
TYPE MONUMENT P.K. & Washer

ON SURFACE - BELOW yes

LEFT- & PAV'T. - ~~RESET~~ 0.6

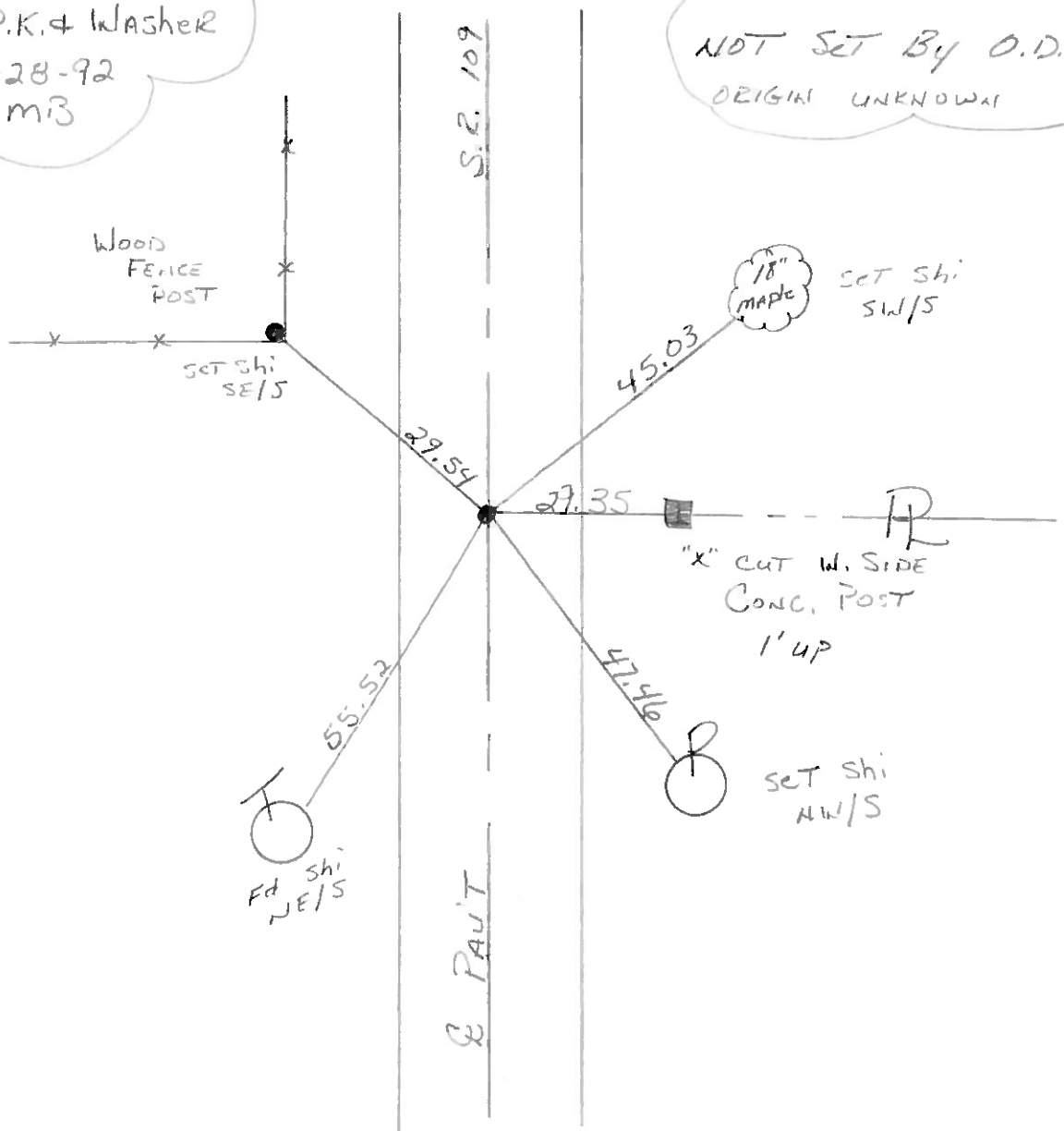
10.0 TO LT EDGE PAVEMENT

S.L.M. 1201+89



Reset P.K. & Washer
9-28-92
m3

NOT SET BY O.D.O.T.
ORIGINAL UNKNOWN



ODOT DISTRICT 2 SURVEY OFFICE

SHEET _____ OF _____

County Henry S.R. 109

Date 11-17-81

Township Liberty

Weather overcast

Section 24

Temp. +40°

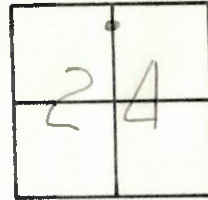
T6N, R7E

Personnel Hoffman

Householder

Loehrke

49-A



Fd. P.K. @ SURFACE @ &

Project stat 1202+10

Not set by ODOT

RE-SET P.K. & WASHER

5-17-82
S.W.H.

12" maple
shiver & 1/2

42.58

S.R. 109

45.31

18" maple
shiver SW/S
@ BASE

29.50

1' cut west side
□ cov. post
1' up

55.49



shiver NE/S

& PAVT

