

O.D.O.T. DISTRICT 2 SURVEY OFFICE (USE ONLY)

PERSONNEL

REFERENCE NO. 51 E

SHEET 27 OF 31

NOTES NIESE DATE 3/5/21
 H.C. RHOADES WEATHER SUNNY
 R.C. _____ TEMP. 30°

ROUTE SR 109
 COUNTY HENRY
 TOWNSHIP LIBERTY
 SECTION 13
 T 6 N R 7 E

DWG BY NIESE PID PAVE TRAIN

TYPE MONUMENT LG.R.R.SPIKE

~~ON SURFACE~~ - BELOW 3 1/2"

OFFSET \odot PAVEMENT 0.4' ~~RT~~ : RT

11' TO LT EDGE PAVEMENT

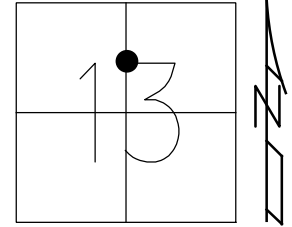
STATION: 1248+77.4

HORZ.DATUM: NAD83 2011

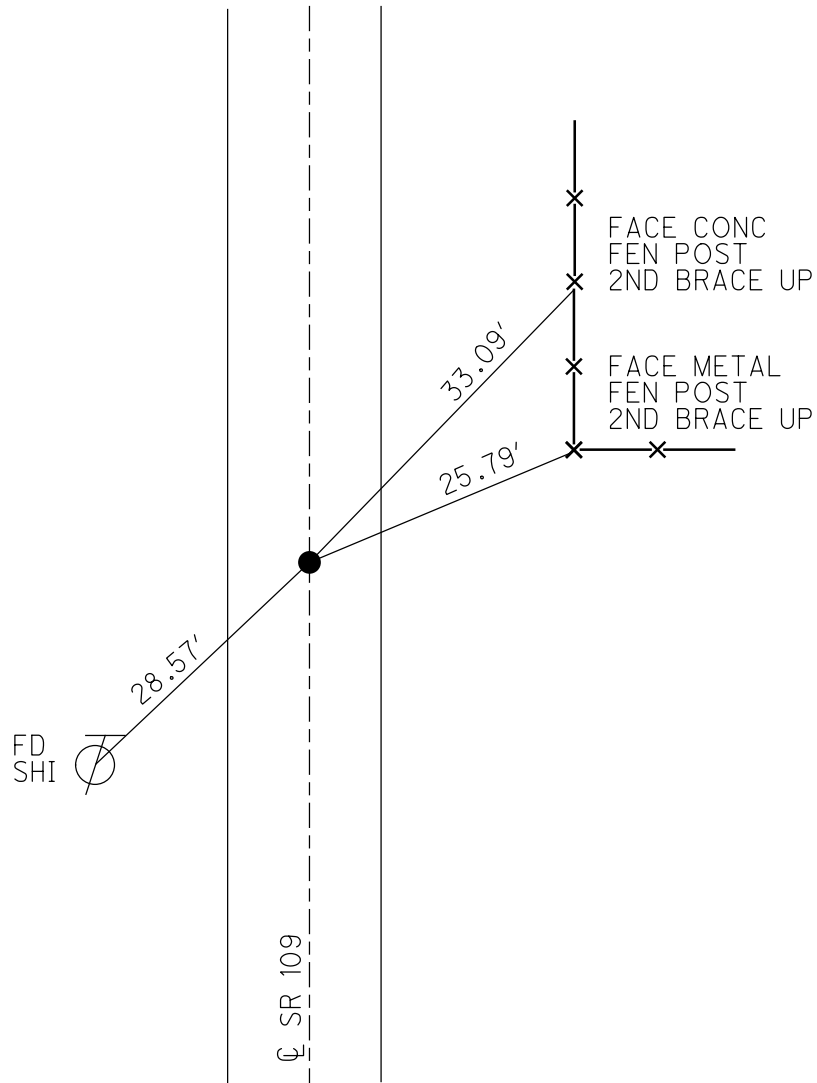
GEOID: NAVD88 2012A

GRID: NORTHING: 665333.939

EASTING: 1555131.434



RECORD:
 FD R.R.SPIKE
 9/9/02
 12/11/02, DCH
 FD LG.R.R.SPIKE
 4" DOWN
 2/27/19, JLL
 FD LG.R.R.SPIKE
 3 1/2" DOWN
 REFE51
 6/10/20, JFO
 3/5/21,
 1/11/23, JMR



O.D.O.T. DISTRICT 2 SURVEY OFFICE (USE ONLY)

PERSONNEL

REFERENCE NO. 51 E

SHEET 27 OF 31

NOTES NIESE

DATE 3/5/21

ROUTE SR 109

H.C. RHOADES

WEATHER SUNNY

COUNTY HENRY

R.C. _____

TEMP. 30°

TOWNSHIP LIBERTY

DWG BY NIESE

PID PAVE TRAIN

SECTION 13

T 6 N R 7 E

TYPE MONUMENT LG.R.R.SPIKE

~~ON SURFACE~~ - BELOW 3 1/2"

OFFSET \perp PAVEMENT 0.4' ~~RT~~ : RT

11' TO LT EDGE PAVEMENT

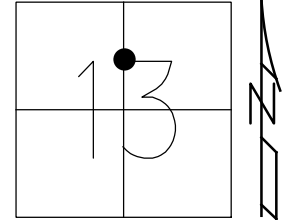
STATION: 1248+82

HORZ.DATUM: NAD83 2011

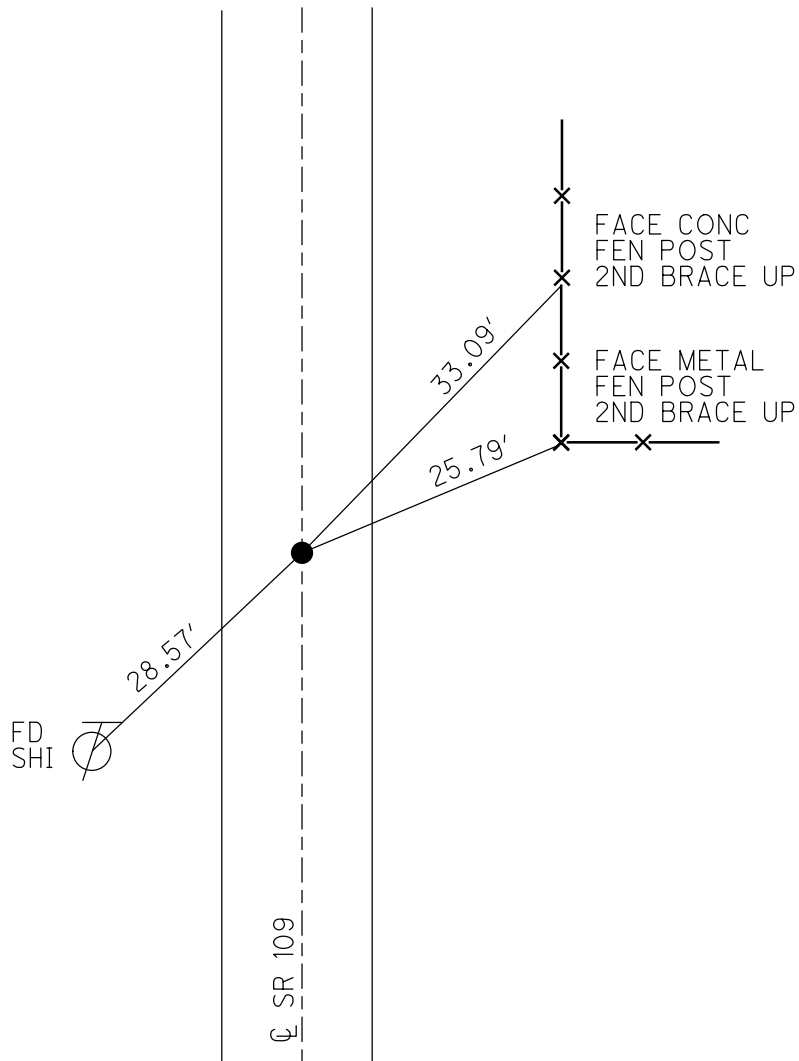
GEOID: NAVD88 2012A

GRID: NORTHING: 665333.939

EASTING: 1555131.434



RECORD:
 FD R.R.SPIKE
 9/9/02
 12/11/02, DCH
 FD LG.R.R.SPIKE
 4" DOWN
 2/27/19, JLL
 FD LG.R.R.SPIKE
 3 1/2" DOWN
 REFE51
 6/10/20, JFO
 3/5/21, JMR



O.D.O.T. DISTRICT 2 SURVEY OFFICE

PERSONNEL

REFERENCE NO. 51E

SHEET 23 OF 27

NOTES HOMAN

DATE 9-9-02

ROUTE S.R. 109

H.C. HOMAN

WEATHER SUNNY

COUNTY HENRY

R.C. BROWN

TEMP. 78

TOWNSHIP LIBERTY

SECTION 13

T 6 N R 7 E

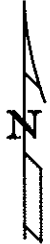
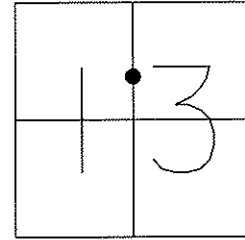
TYPE MONUMENT RR SPIKE

~~ON SURFACE~~ - BELOW 1/2"

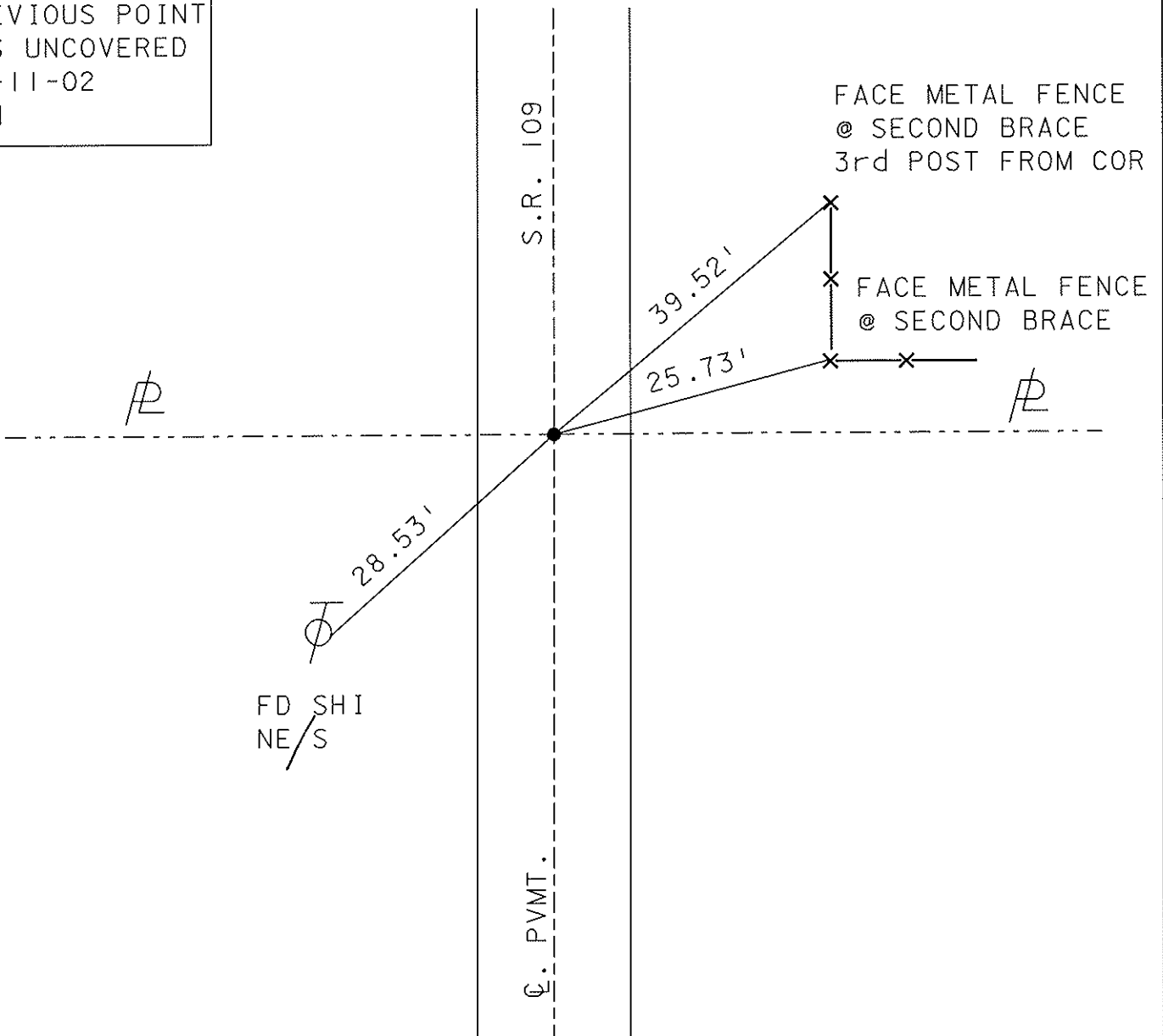
~~LEFT - Q PAVT - RIGHT~~ 0.4'

11' TO LT EDGE PAVEMENT

S.L.M. 1248+82



PREVIOUS POINT
WAS UNCOVERED
12-11-02
DCH



O.D.O.T. DISTRICT 2 SURVEY OFFICE

PERSONNEL _____ REFERENCE NO. 51-E SHEET _____ OF _____

NOTES VAN DUZEN

H.C. KUSZ

R.C. BARNHISEL

DATE 8-12-93

WEATHER CLEAR

TEMP. +75°

ROUTE 109

COUNTY HENRY

TOWNSHIP LIBERTY

SECTION 13

T4 N R 7 E

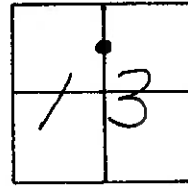
TYPE MONUMENT P.K. + WASHER (ORIGIN UNKNOWN IN 1981)

ON SURFACE - BELOW yes

~~EFT~~ - Q PAV'T. - RIGHT 0.4

10.8 TO LT EDGE PAVEMENT

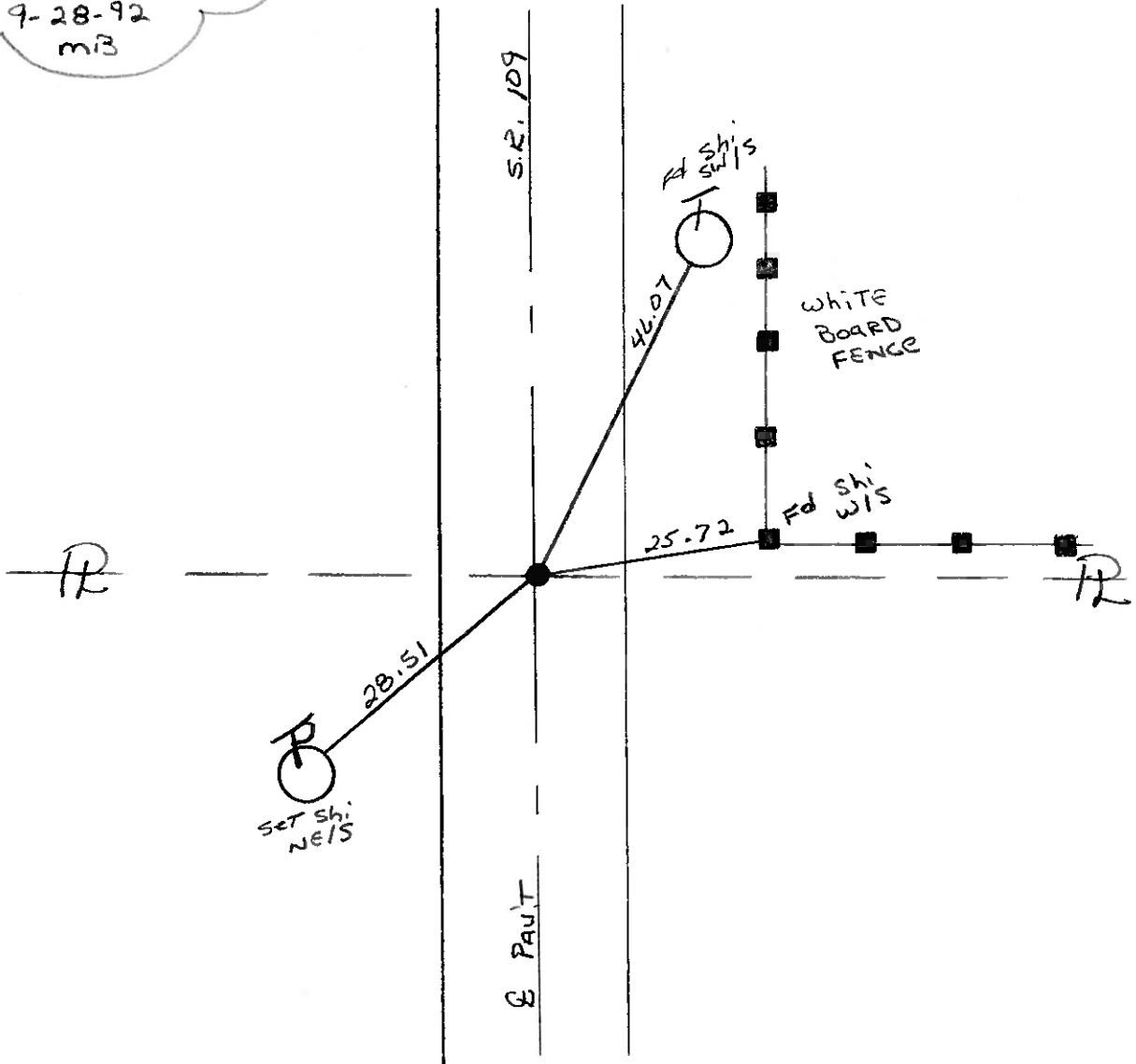
S.L.M. 1248+82



Reset PK + WASHER

9-28-92

m3



County Henry S.R. 109

Date 11-17-81

Township Liberty

Weather overcast

Section 13

Temp. +40°

T6N, R7E

Personnel Hoffman

Householder

Loehrke

51-E



Fd. R.R. Spk @ surface @ PAVT

Project Sta ± 1249+02

Not set by ODOT

Re-Set P.K. & WASHER 5-19-82 S.W.H.

