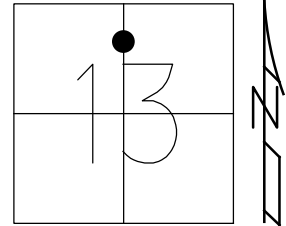


O.D.O.T. DISTRICT 2 SURVEY OFFICE (USE ONLY)

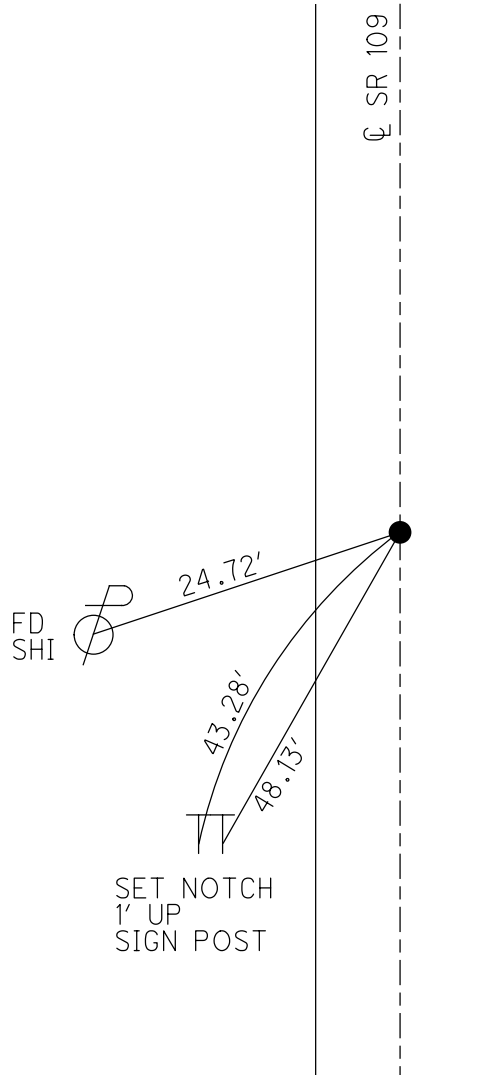
PERSONNEL _____ REFERENCE NO. 51 F SHEET 28 OF 31
 NOTES NIESE DATE 3/5/21 ROUTE SR 109
 H.C. RHOADES WEATHER SUNNY COUNTY HENRY
 R.C. _____ TEMP. 30° TOWNSHIP LIBERTY
 DWG BY NIESE PID PAVE TRAIN SECTION 13
 T 6 N R 7 E

TYPE MONUMENT MAG/WASHER
 ON SURFACE - ~~BELOW~~ ON
 OFFSET Q PAVEMENT ON LT : RT
11' TO LT EDGE PAVEMENT
 STATION: 1252+48.5



HORZ.DATUM: NAD83 2011 GEOID: NAVD88 2012A
 GRID: NORTHING: 665705.078 EASTING: 1555138.108

RECORD:
 FD R.R.SPIKE
 9/9/02, DCH
 SET MAG/WASHER
 12/10/02, DCH
 FD MAG/WASHER
 2/27/19, JLL
 FD MAG/WASHER
 REFF51
 6/9/20, JLL
 3/5/21,
 1/11/23, JMR



O.D.O.T. DISTRICT 2 SURVEY OFFICE (USE ONLY)

PERSONNEL _____

REFERENCE NO. 51 F

SHEET 28 OF 31

NOTES NIESE

DATE 3/5/21

ROUTE SR 109

H.C. RHOADES

WEATHER SUNNY

COUNTY HENRY

R.C. _____

TEMP. 30°

TOWNSHIP LIBERTY

SECTION 13

DWG BY NIESE PID PAVE TRAIN

T 6 N R 7 E

TYPE MONUMENT MAG/WASHER

ON SURFACE - ~~BELOW~~ ON

OFFSET ☐ PAVEMENT ON LT : RT

11' TO LT EDGE PAVEMENT

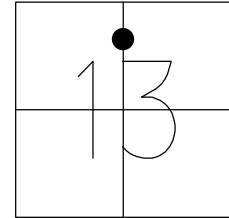
STATION: 1252+53

HORZ.DATUM: NAD83 2011

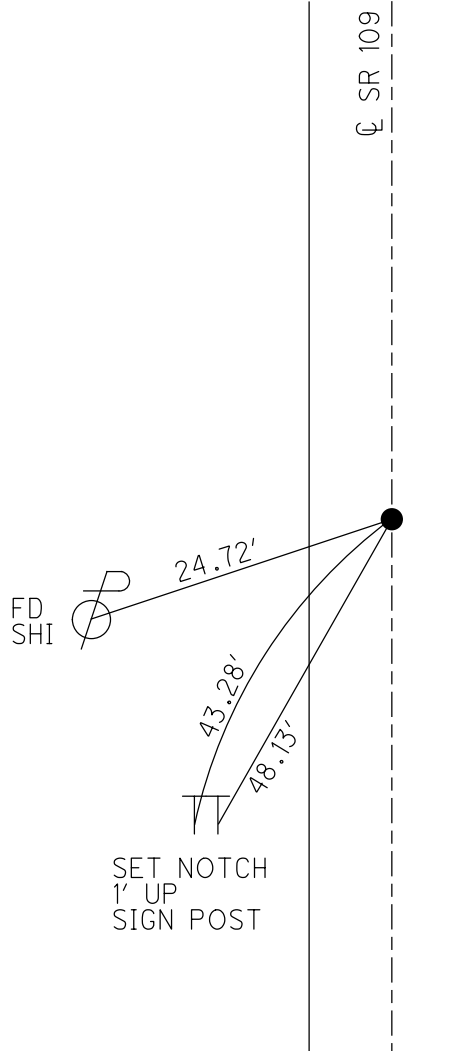
GEOID: NAVD88 2012A

GRID: NORTHING: 665705.078

EASTING: 1555138.108



RECORD:
 FD R.R.SPIKE
 9/9/02, DCH
 SET MAG/WASHER
 12/10/02, DCH
 FD MAG/WASHER
 2/27/19, JLL
 FD MAG/WASHER
 REFF51
 6/9/20, JLL
 3/5/21, JMR



O.D.O.T. DISTRICT 2 SURVEY OFFICE

PERSONNEL

REFERENCE NO. 51F

SHEET 24 OF 27

NOTES HOMAN

DATE 9-9-02

ROUTE S.R. 109

H.C. HOMAN

WEATHER SUNNY

COUNTY HENRY

R.C. BROWN

TEMP. 81

TOWNSHIP LIBERTY

SECTION 13

T 6 N R 7 E

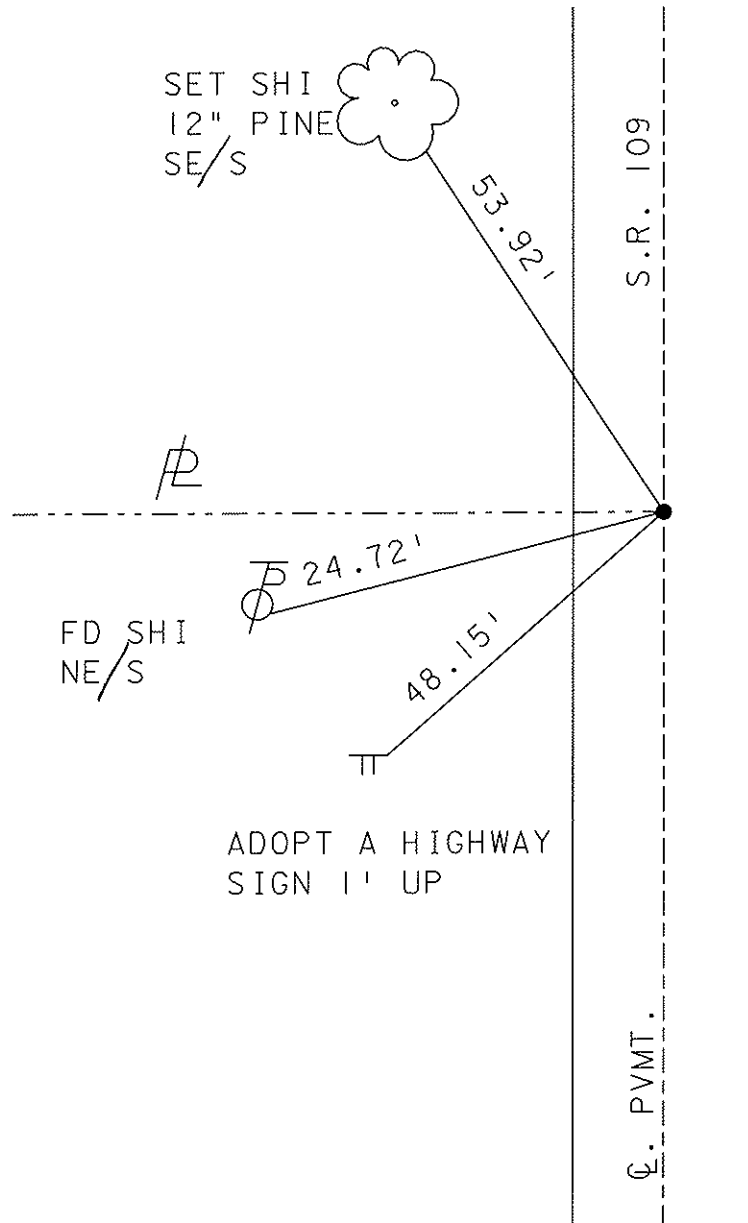
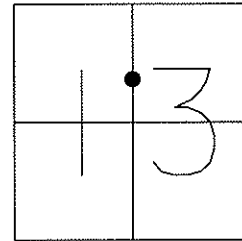
TYPE MONUMENT RR SPIKE

ON SURFACE - ~~BELOW~~ ON

~~LEFT - C~~ PAV'T - ~~RIGHT~~ ON

11' TO LT EDGE PAVEMENT

S.L.M. 1252+53



SET MAG NAIL
& WASHER
12-11-02
DCH

ADOPT A HIGHWAY
SIGN 1' UP

O.D.O.T. DISTRICT 2 SURVEY OFFICE

PERSONNEL _____ REFERENCE NO. 51-F SHEET _____ OF _____

NOTES VAN DUSEN

H.C. KUSZ

R.C. BARNITSEK III

DATE 8-12-92

WEATHER clear

TEMP. +72°

ROUTE 109

COUNTY HENRY

TOWNSHIP LIBERTY

SECTION 13

T 6 N R 7 E

TYPE MONUMENT P.K. + WASHER

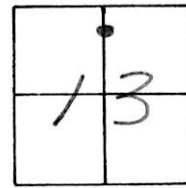
ON SURFACE - ~~BELOW~~ yes

~~LEFT -~~ RIGHT yes

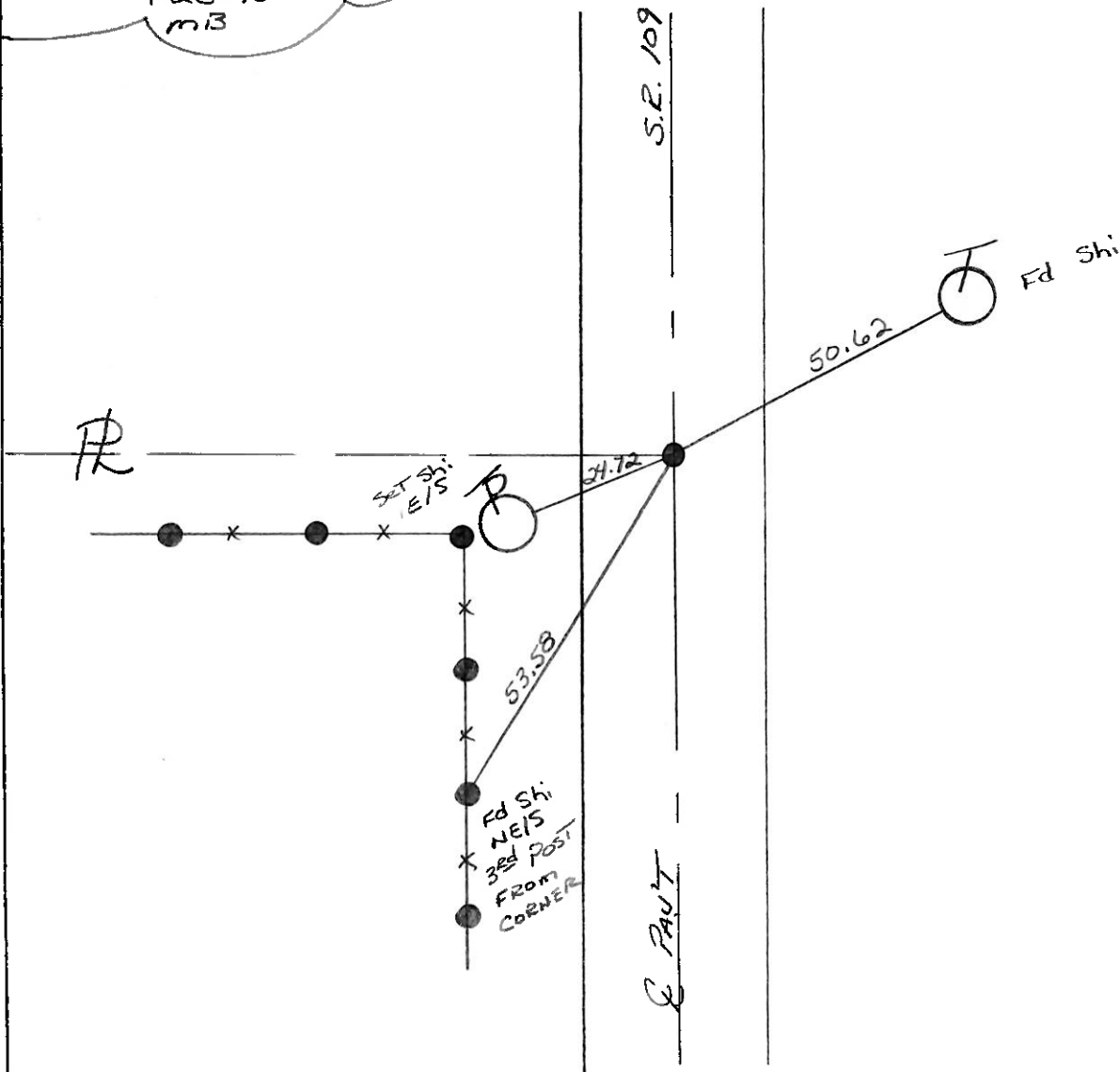
10.8 TO LT EDGE PAVEMENT

S.L.M. 1252+53

(ORIGIN UNKNOWN IN 1981)



Reset P.K. + WASHER
9-28-92
m13



OD.O.T. DISTRICT 2 SURVEY OFFICE

SHEET _____ OF _____

County Henry S.R. 109

Date 11-17-81

Township Liberty

Weather over cast

Section 13

Temp. +40°

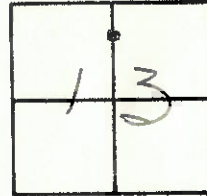
T&N, R1E

Personnel Hoffman

Householder

Loehrke

51-F



Fd. P.K. @ surface @ &

Project STA ± 1252+73

Not set by ODOT

RE-SET P.K./WASHOR
 5-18-82
 S.W.H.

