

O.D.O.T. DISTRICT 2 SURVEY OFFICE (USE ONLY)

PERSONNEL

REFERENCE NO. 51 G

SHEET 29 OF 31

NOTES RHOADES

DATE 6/10/20

ROUTE SR 109

H.C. AUBLE

WEATHER CLOUDY

COUNTY HENRY

R.C. O'DONNELL

TEMP. 82°

TOWNSHIP LIBERTY

DWG BY RHOADES PID PAVE TRAIN

SECTION 13

T 6 N R 7 E

TYPE MONUMENT MAG/WASHER

ON SURFACE - ~~BELOW~~ ON

OFFSET 0.6' LT : ~~RT~~

10' TO LT EDGE PAVEMENT

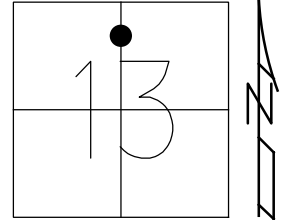
STATION: 1255+80

HORZ.DATUM: NAD83 2011

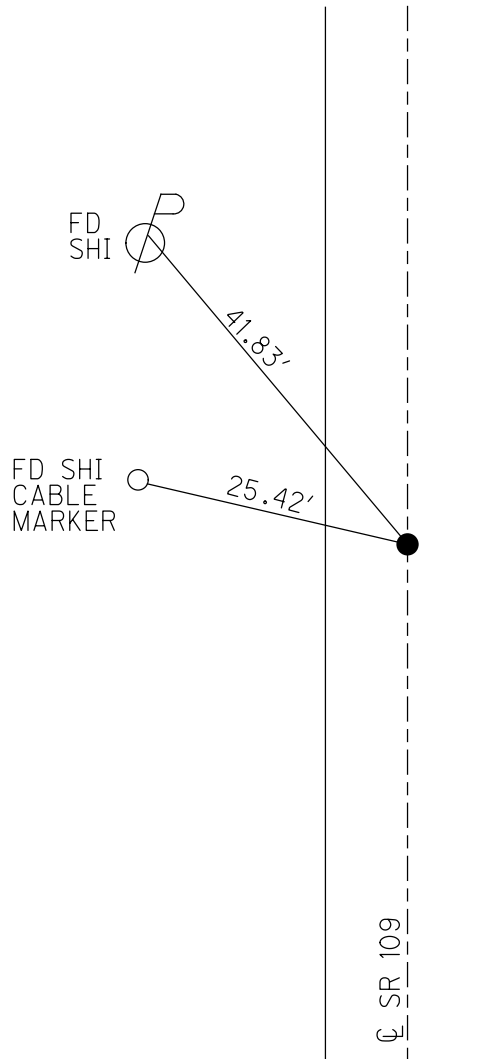
GEOID: NAVD88 2012A

GRID: NORTHING: _____

EASTING: _____



RECORD:
FD P.K./WASHER
9/9/02, DCH
SET MAG/WASHER
12/10/02, DCH
DNF
2/27/19, JLL
6/10/20, JFO



O.D.O.T. DISTRICT 2 SURVEY OFFICE

PERSONNEL

REFERENCE NO. 516

SHEET 25 OF 27

NOTES HOMAN

DATE 9-9-02

ROUTE S.R. 109

H.C. HOMAN

WEATHER SUNNY

COUNTY HENRY

R.C. BROWN

TEMP. 81

TOWNSHIP LIBERTY

SECTION 13

T 6 N R 7 E

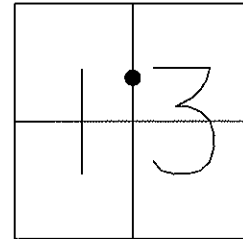
TYPE MONUMENT PK & WASHER

ON SURFACE - ~~BELOW~~ ON

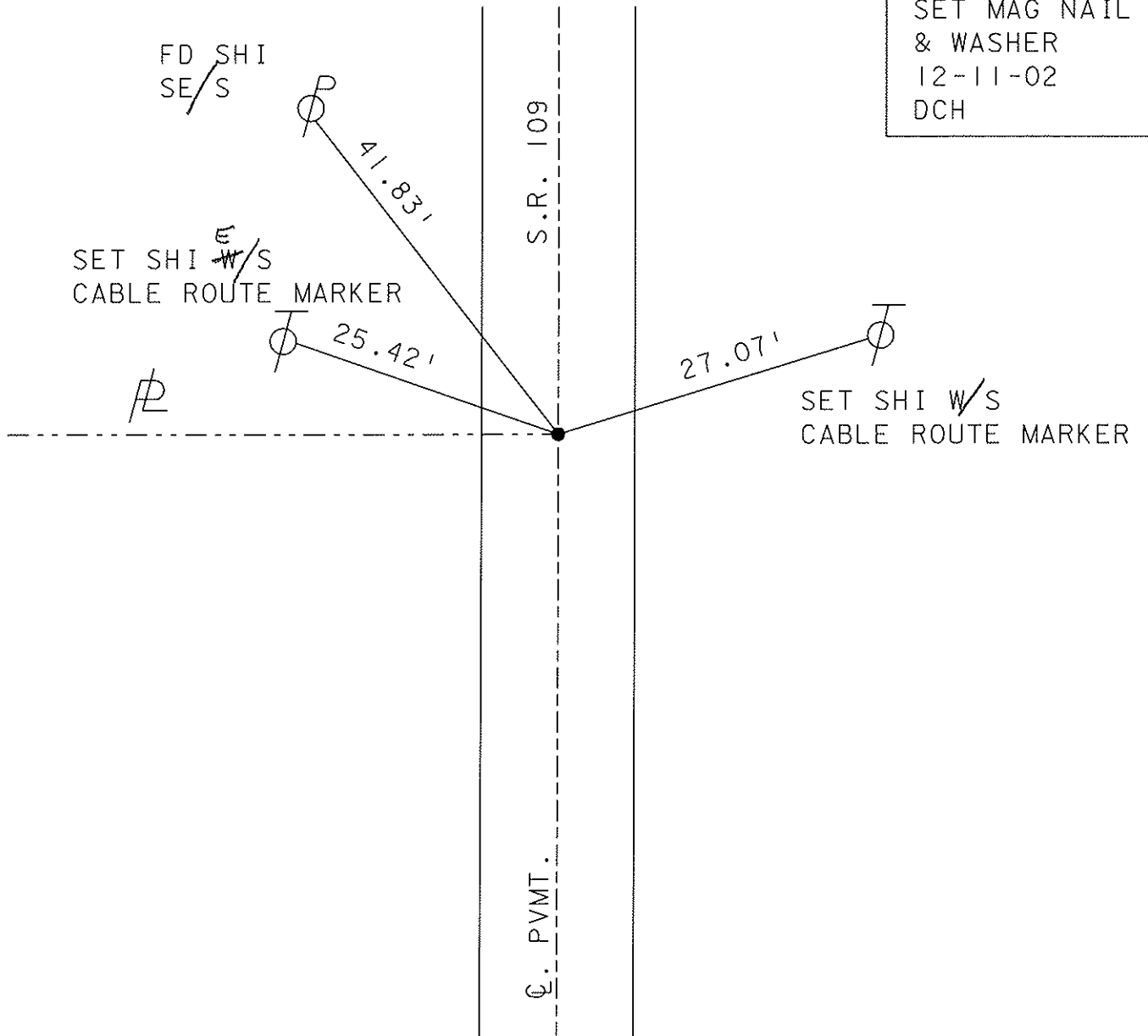
LEFT - ~~Q~~ PAV'T - ~~RIGHT~~ 0.6'

10' TO LT EDGE PAVEMENT

S.L.M. 1255+80



SET MAG NAIL
& WASHER
12-11-02
DCH



O.D.O.T. DISTRICT 2 SURVEY OFFICE

PERSONNEL

REFERENCE NO. 51-9

SHEET _____ OF _____

NOTES VAN DUSEN

H.C. BARNHISEL

R.C. KUSZ

DATE 8-12-92

WEATHER CLEAR

TEMP. +75 F

ROUTE S.R. 109

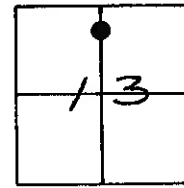
COUNTY HENRY

TOWNSHIP LIBERTY

SECTION 13

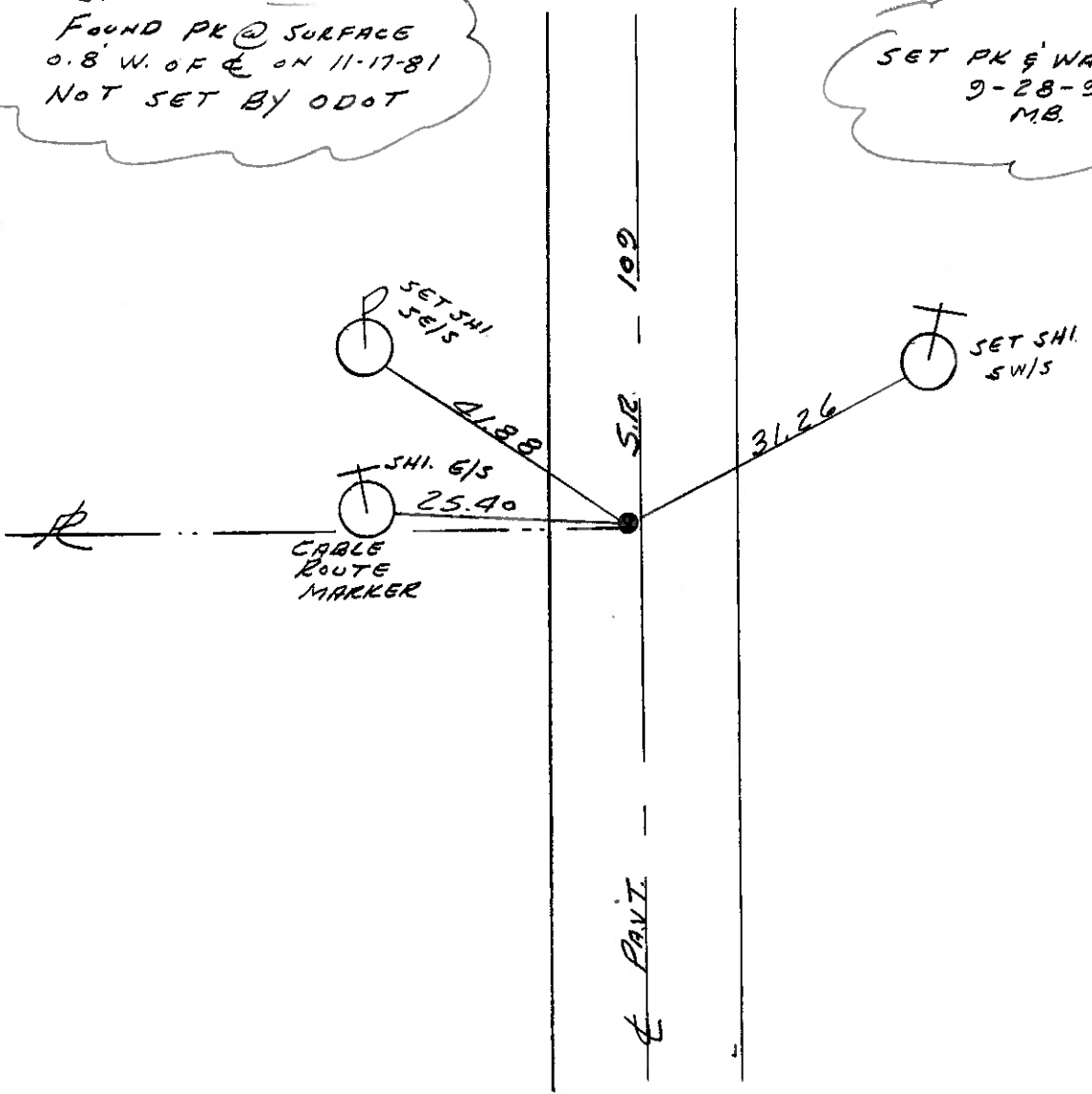
T 4 N R 7 E

TYPE MONUMENT PK & WASHER
 ON SURFACE - BELOW YES
 LEFT - 0 PAV'T. - RIGHT 0.6
2.8 TO LT. EDGE PAVEMENT
 S.L.M. 1255+80



NOTE: RECORD
 FOUND PK @ SURFACE
 0.8' W. OF C ON 11-17-81
 NOT SET BY ODOT

SET PK & WASHER
 9-28-92
 M.B.



County HENRY S.R. 109

Date 11-17-81

Township Liberty

Weather OVERCAST

Section 13

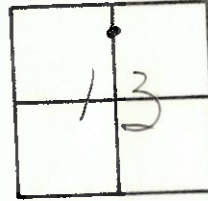
Temp. +40°

T6N, R7E

Personnel Hoffman

Householder

Loebke



51-G

Fd. P.K @ surface

0.8' Wob &

Not set by ODOT

Project STA ± 1256+02

Re-Set P.K/WASHER
5-18-82
S.W.H.

