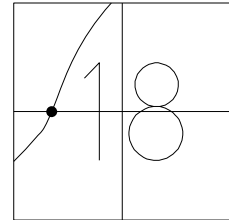


O.D.O.T. DISTRICT 2 SURVEY OFFICE (USE ONLY)

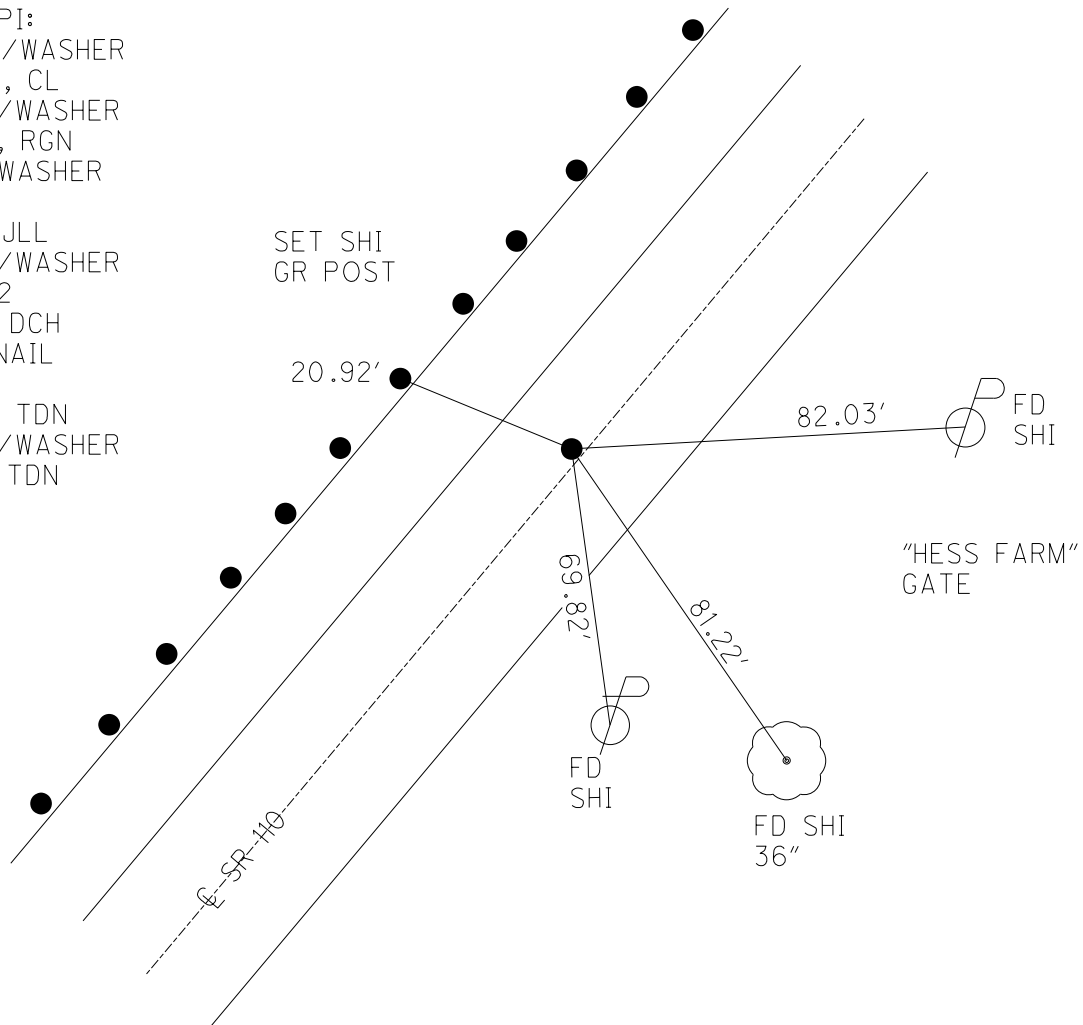
PERSONNEL _____ REFERENCE NO. 2 B SHEET 5 OF 51
 NOTES ASTON DATE 3/4/24 ROUTE SR 110
 H.C. NIESE WEATHER CLOUDY COUNTY HENRY
 R.C. ASTON TEMP. 60° TOWNSHIP HARRISON
 SECTION 18
 DWG BY RHOADES PID 94321 T 5 N R 7 E

TYPE MONUMENT MAG/WASHER
 ON SURFACE - ~~BELOW~~ ON
 OFFSET \varnothing PAVEMENT 2.3' LT : ~~RT~~
8.8' TO LT EDGE PAVEMENT
 STATION: 43+48

HORIZ.DATUM: NAD83 2011 GEOID: NAVD88 2018
 GRID: NORTHING: 632274.255 EASTING: 1525818.335



RECORD:
 RECORD PI:
 SET P.K./WASHER
 10-27-92, CL
 SET MAG/WASHER
 12-15-06, RGN
 FD MAG/WASHER
 REFB2
 1-29-16, JLL
 SET MAG/WASHER
 NEWREFB2
 8-24-16, DCH
 FD MAG NAIL
 REFB2
 8/18/23, TDN
 SET MAG/WASHER
 3/4/24, TDN



O.D.O.T. DISTRICT 2 SURVEY OFFICE (USE ONLY)

PERSONNEL

REFERENCE NO. 2 B

SHEET 5 OF 44

NOTES ASTON

DATE 8/18/23

ROUTE SR 110

H.C. NIESE

WEATHER CLEAR

COUNTY HENRY

R.C. RHOADES

TEMP. 75°

TOWNSHIP HARRISON

AUBLE

DWG BY RHOADES

PID 94321

SECTION 18

T 5 N R 7 E

TYPE MONUMENT MAG NAIL

ON SURFACE - ~~BELOW~~ ON

OFFSET CL PAVEMENT 2.3' LT : ~~RT~~

8.8' TO LT EDGE PAVEMENT

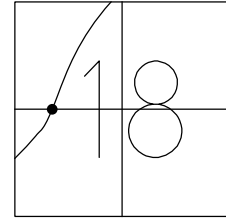
STATION: 43+48

HORZ.DATUM: NAD83 2011

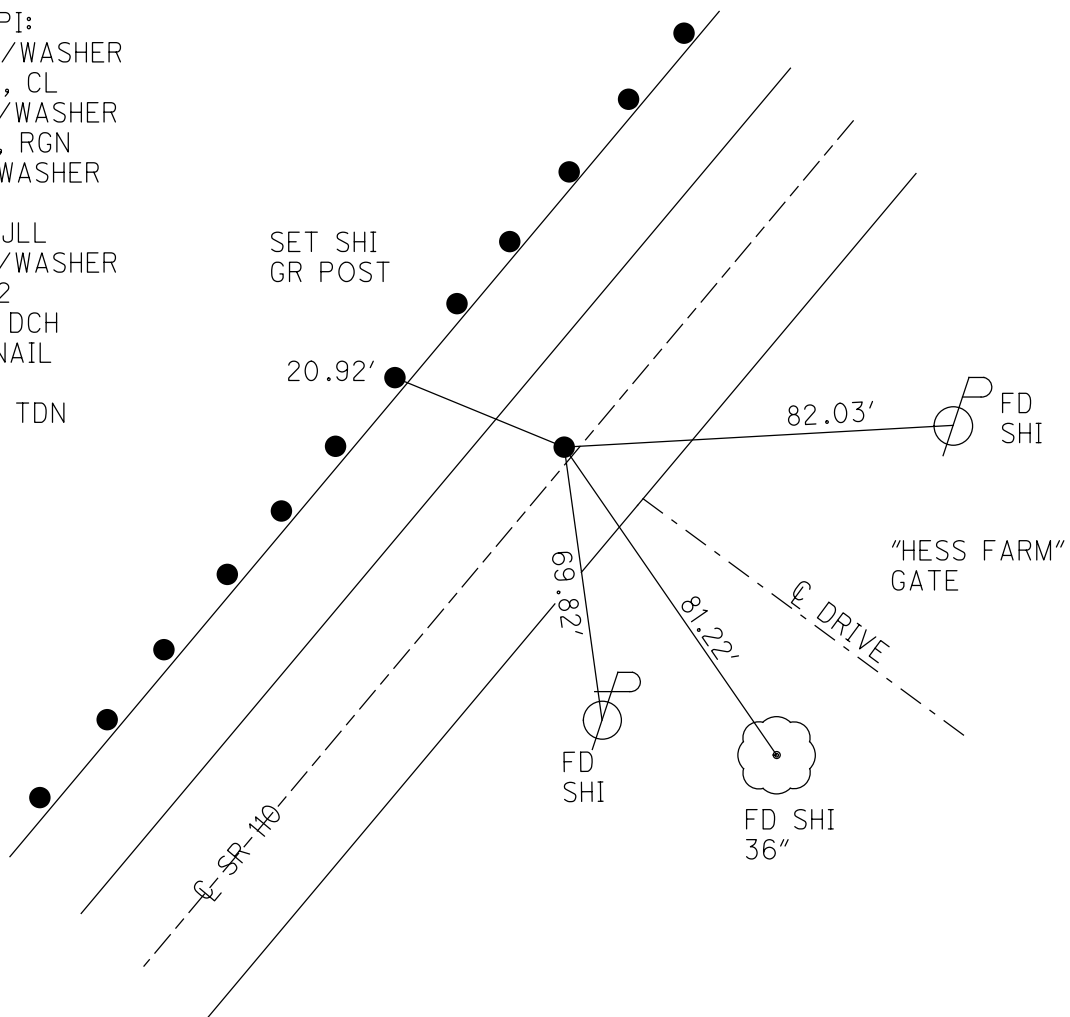
GEOID: NAVD88 2018

GRID: NORTHING: 632274.289

EASTING: 1525818.351



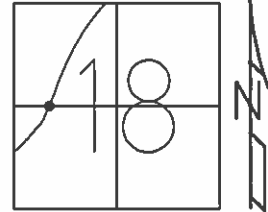
- RECORD:
 RECORD PI:
 SET P.K./WASHER
 10-27-92, CL
 SET MAG/WASHER
 12-15-06, RGN
 FD MAG/WASHER
 REFB2
 1-29-16, JLL
 SET MAG/WASHER
 NEWREFB2
 8-24-16, DCH
 FD MAG NAIL
 REFB2
 8/18/23, TDN



O.D.O.T. DISTRICT 2 SURVEY OFFICE

PERSONNEL _____ REFERENCE NO. 2 B SHEET 4 OF 6
 NOTES LEU DATE 08/24/16 ROUTE SR 110
 H.C. HOMAN WEATHER CLEAR COUNTY HENRY
 R.C. LEU TEMP. 71° TOWNSHIP HARRISON
 _____ SECTION 18
 _____ T 5 N R 7 E

TYPE MONUMENT _____ MAG/W _____
 ON SURFACE - ~~BELOW~~ _____ ON _____
 LEFT - ~~C PAVT~~ - RIGHT _____ 2.3'
8.8' TO LT EDGE PAVEMENT
 S.L.M. _____ 43+48
 GRID: NORTHING: 632274.255 EASTING: 1525818.335

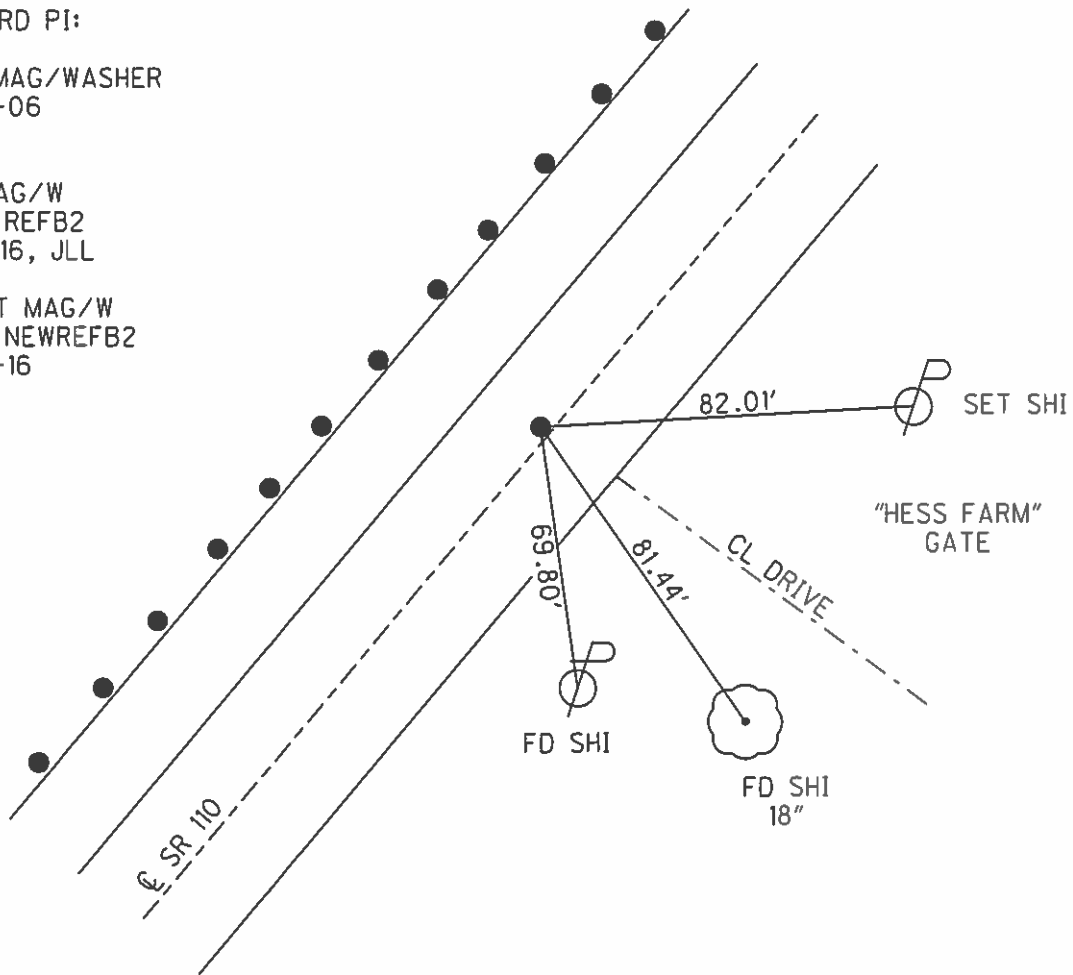


RECORD PI:

SET MAG/WASHER
 12-15-06
 RGN

FD MAG/W
 GPS, REFB2
 1-29-16, JLL

RESET MAG/W
 GPS, NEWREFB2
 8-24-16



O.D.O.T. DISTRICT 2 SURVEY OFFICE

PERSONNEL

REFERENCE NO. _____

SHEET 4 OF 7

NOTES BARNHISEL

DATE 9/14/06

ROUTE S.R. 110

H.C. CANTERBURY

WEATHER CLOUDY

COUNTY HENRY

R.C. BARNHISEL

TEMP. +70

TOWNSHIP HARRISON

SECTION 18

T 5 N R 7 E

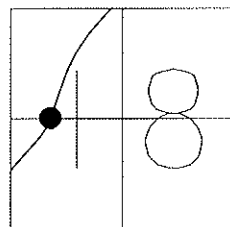
TYPE MONUMENT P.K. / WASHER

ON SURFACE ~~-BELOW-~~ YES

LEFT - Q PAV'T - ~~RIGHT~~ 2.3'

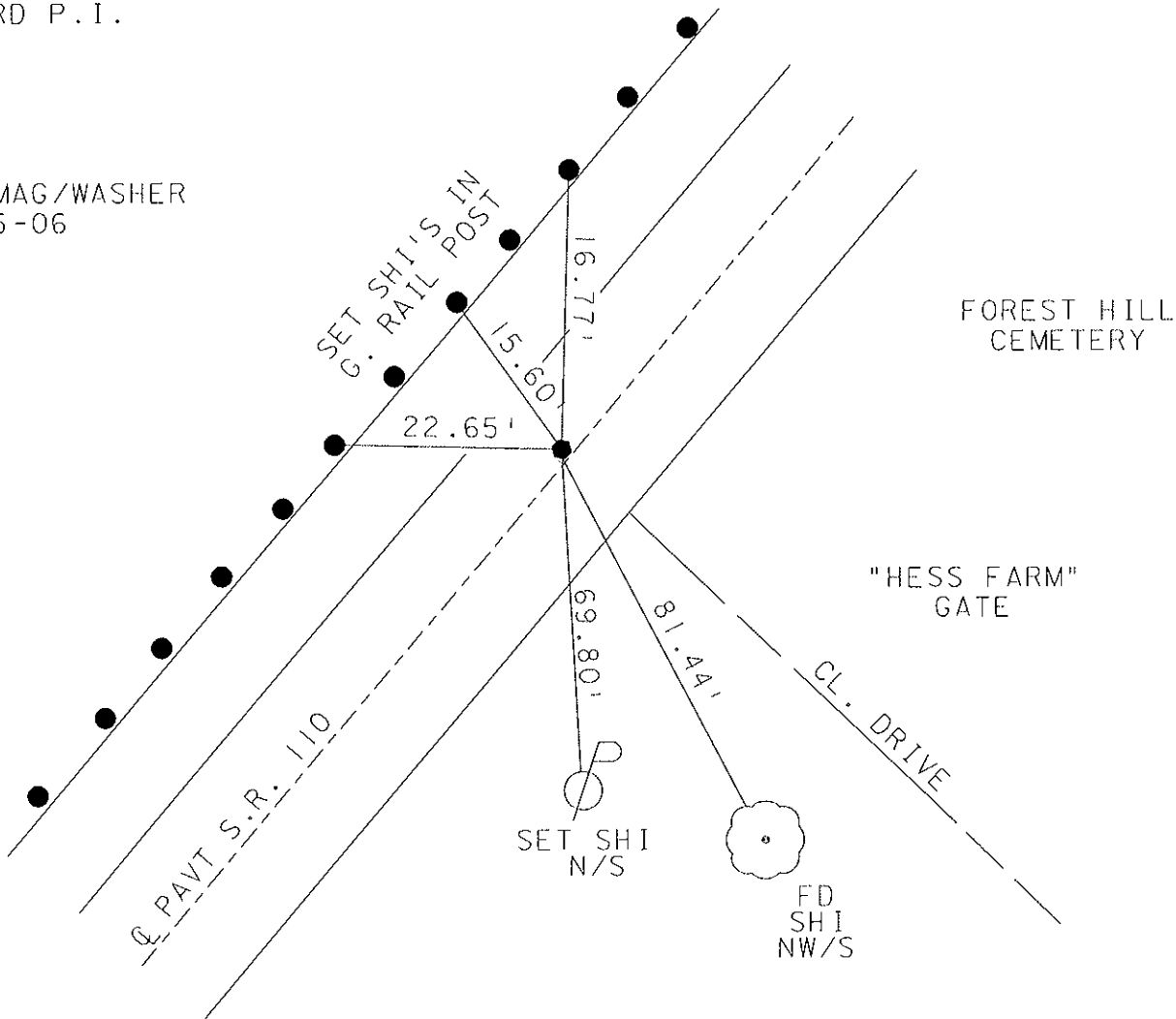
8.8' TO LT EDGE PAVEMENT

S.L.M. 43+48



RECORD P. I.

SET MAG/WASHER
12-15-06
RGN



O.D.O.T. DISTRICT 2 SURVEY OFFICE

PERSONNEL

REFERENCE NO. 2B

SHEET 5 OF 34

NOTES LOEHRKE MB

9/14/06

H.C. CRATIS MC

DATE S-29-92

ROUTE S.R. 110

R.C. ROMNETO MB

WEATHER CLEAR cloudy

COUNTY HENRY

TEMP. 60 + 70

TOWNSHIP HARRISON

SECTION 18

Set P.K. / WASHER
10-27-92

T. 5 N. R. 7 E

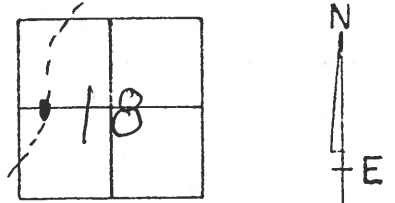
TYPE MONUMENT Sm. R.R. Spike

ON SURFACE - BELOW Yes ✓

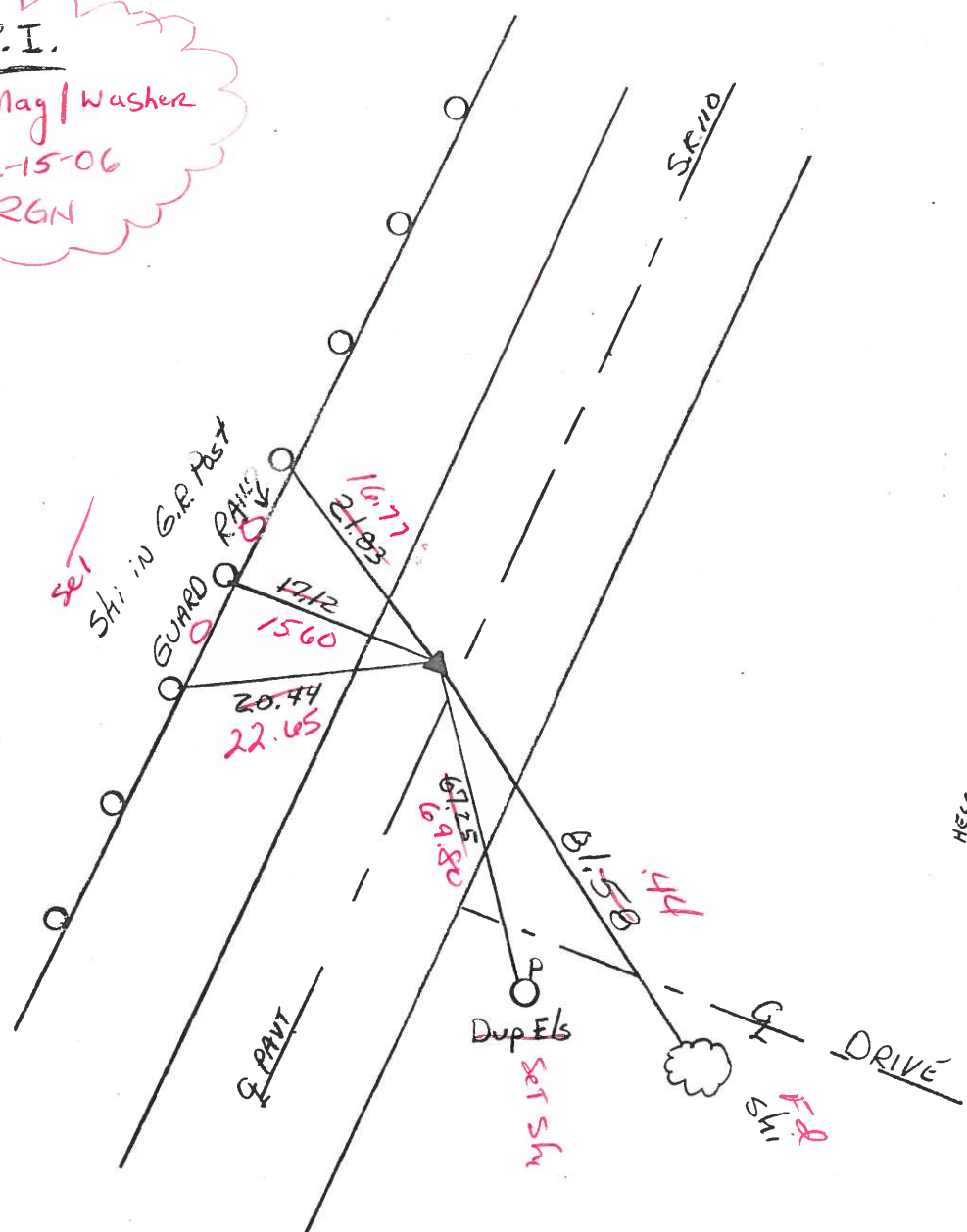
LEFT - PAV'T. - RIGHT 2.3 ✓

88-96 TO Lt EDGE PAVEMENT

S.L.M. 43+48 ✓



P.I.
Set Mag/Washer
12-15-06
RGN



FOREST HILL
CEMETERY

Hess Farm
"Gate"

O.D.O.T. DISTRICT 2 SURVEY OFFICE

PERSONNEL

REFERENCE NO. 2 B

SHEET 5 OF 34

NOTES LOEHRKE

H.C. CURTIS

R.C. ROMERO

DATE 5-29-92

WEATHER CLEAR

TEMP. 60

ROUTE S.R. 110

COUNTY HENRY

TOWNSHIP HARRISON

SECTION 18

T 5 N R 7 E

Set P.K. / WASHER
10-27-92

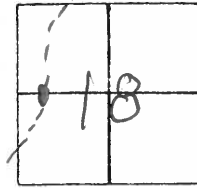
TYPE MONUMENT Sm. R.R. Spike

ON SURFACE - ~~BELOW~~ Yes

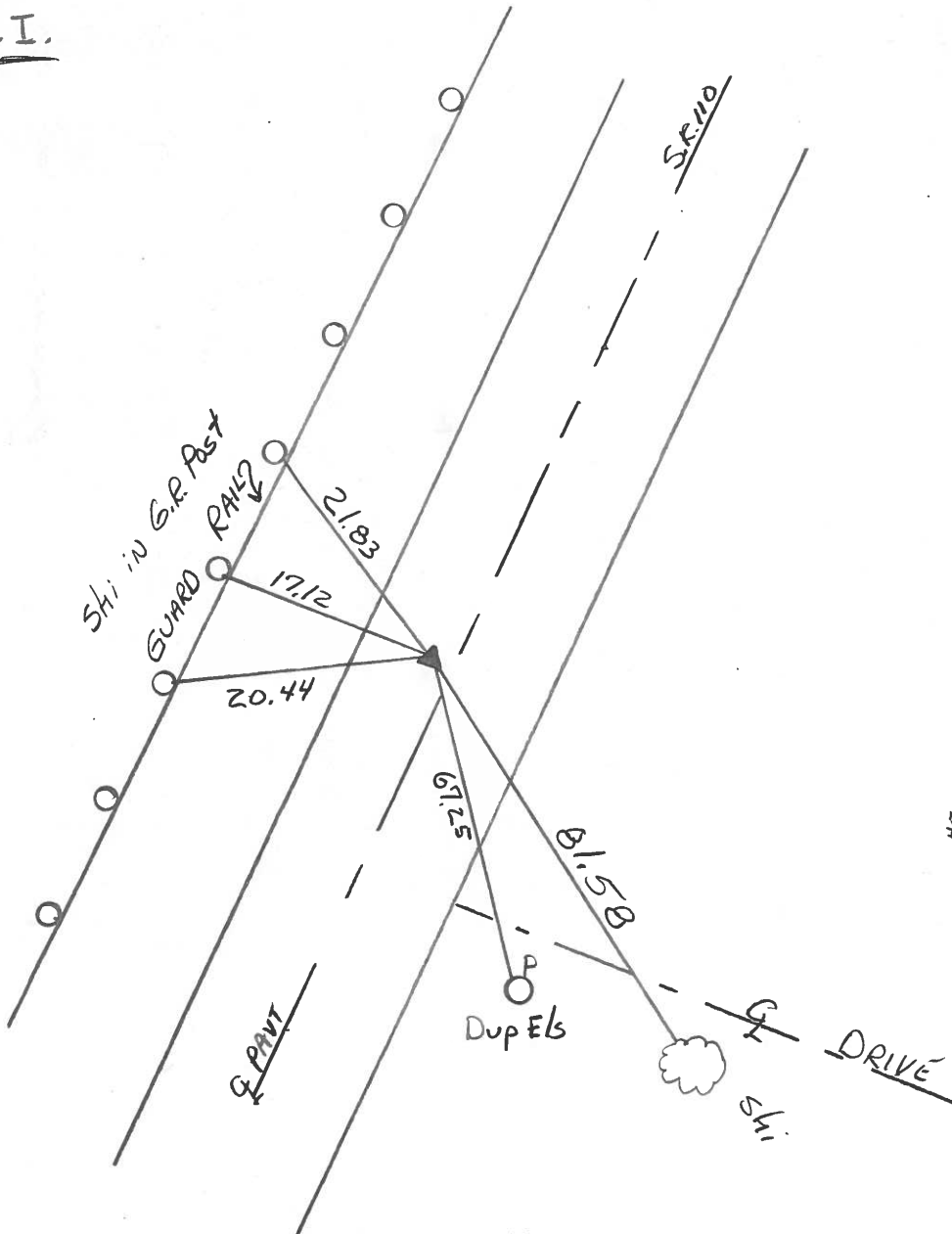
LEFT- & PAV'T. - ~~RIGHT~~ 2.5

9.6 TO Lt EDGE PAVEMENT

S.L.M. 43+48



P.I.



FOREST HILL
CEMETERY

MESS FARM
"GATE II"

Q.D.O.T. DISTRICT 2 SURVEY OFFICE

SHEET _____ OF _____

County HENRY S.R. 110

Township HARRISON

Section 18

T5N, R7E

Personnel BARNHISEL

HOUSEHOLDER

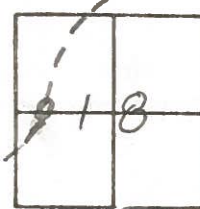
LOEHRKE

2B

Date 1-5-84

Weather CLOUDY FLURRIES

Temp. +32



Fd 3/4" PIPE 1" Below SURFACE

PI 9A' to WEP

13.9' to EEP

2.6 LF of Q SR110

SET Sml. R.R. SPK.

6/13/84

m.d.B.

SLM

43+5.

Set Shi
SE/S GUARDRAIL
Post

21.60
16.86

20.23

SR 110

82.20
67.22

DRIVE
24' MARK
Dup

GATE
DRAWN