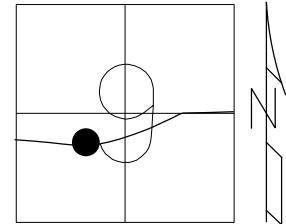


O.D.O.T. DISTRICT 2 SURVEY OFFICE (USE ONLY)

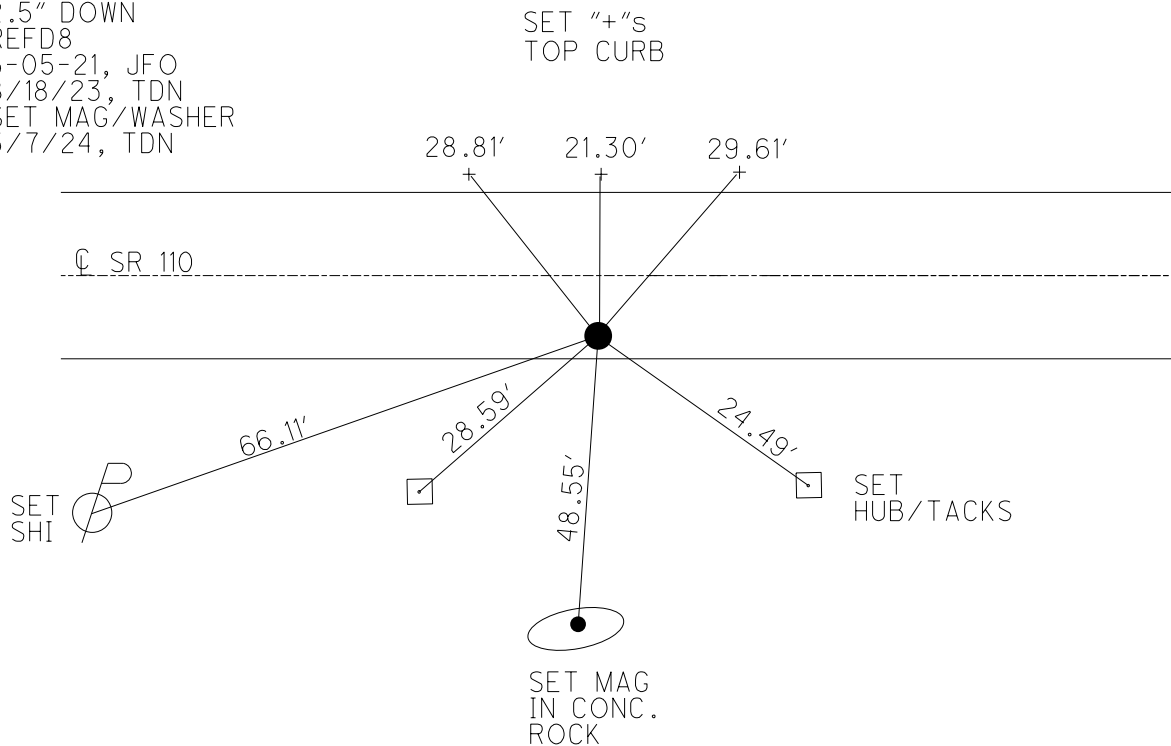
PERSONNEL _____ REFERENCE NO. 8 D SHEET 29 OF 51
 NOTES ASTON DATE 3/7/24 ROUTE SR 110
 H.C. NIESE WEATHER CLOUDY COUNTY HENRY
 R.C. ASTON TEMP. 42° TOWNSHIP HARRISON
 SECTION 9
 DWG BY RHOADES PID 94321 T 5 N R 7 E

TYPE MONUMENT MAG/WASHER
 ON SURFACE - ~~BELOW~~ ON
 OFFSET ϕ PAVEMENT 4.9' ~~LT~~ : RT
7.0' TO RT EDGE PAVEMENT
 S.L.M. 190+42.14



HORIZ.DATUM: NAD83 (2011) GEOID: NAVD88 2018
 GRID: NORTHING: 637053.782 EASTING: 1538328.486

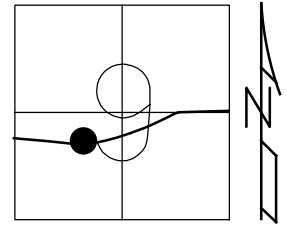
RECORD: P.I
 STA: 195+53.41
 $\Delta = 5^{\circ}25'$ LT
 DC = $1^{\circ}20'$
 FD P.K.WASHER
 4-25-03
 SET MAG/WASHER
 6-19-03, MB
 FD SM.R.R.SPIKE
 2.5" DOWN
 REFD8
 5-05-21, JFO
 8/18/23, TDN
 SET MAG/WASHER
 3/7/24, TDN



O.D.O.T. DISTRICT 2 SURVEY OFFICE (USE ONLY)

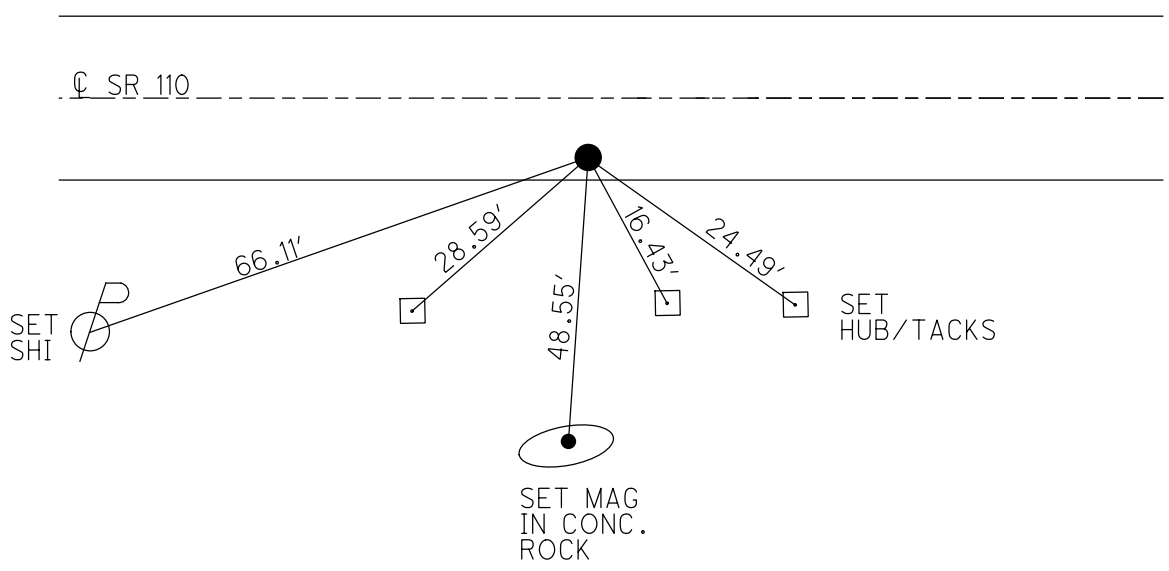
PERSONNEL _____ REFERENCE NO. 8 D SHEET 22 OF 44
 NOTES ASTON DATE 8/18/23 ROUTE SR 110
 H.C. NIESE WEATHER CLEAR COUNTY HENRY
 R.C. RHOADES TEMP. 72° TOWNSHIP HARRISON
AUBLE SECTION 9
 DWG BY RHOADES PID 94321 T 5 N R 7 E

TYPE MONUMENT SM.R.R.SPIKE
~~ON SURFACE~~ - BELOW 2.5"
 OFFSET \oslash PAVEMENT 5.3' \pm : RT
6.1' TO RT EDGE PAVEMENT
 S.L.M. 190+42.14



HORIZ.DATUM: NAD83 (2011) GEOID: NAVD88 2018
 GRID: NORTHING: 637053.782 EASTING: 1538328.486

RECORD: P.I
 STA: 195+53.41
 $\Delta = 5^{\circ}25'$ LT
 DC = $1^{\circ}20'$
 FD P.K.WASHER
 4-25-03
 SET MAG/WASHER
 6-19-03, MB
 FD SM.R.R.SPIKE
 2.5" DOWN
 REFD8
 5-05-21, JFO
 8/18/23, TDN



O.D.O.T. DISTRICT 2 SURVEY OFFICE

PERSONNEL

REFERENCE NO. 8-D

SHEET 9 OF 26

NOTES BRUMBAUGH

DATE 4-25-03

ROUTE S.R. 110

H.C. BARNHISEL

WEATHER CLEAR

COUNTY HENRY

R.C. RYALL

TEMP. +60°

TOWNSHIP HARRISON

GLASS

SECTION 9

T 5 N R 7 E

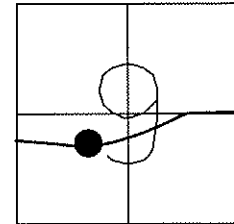
TYPE MONUMENT P.K./WASHER

ON SURFACE - ~~BELOW~~ YES

☉ PAV'T - RIGHT 5.3'

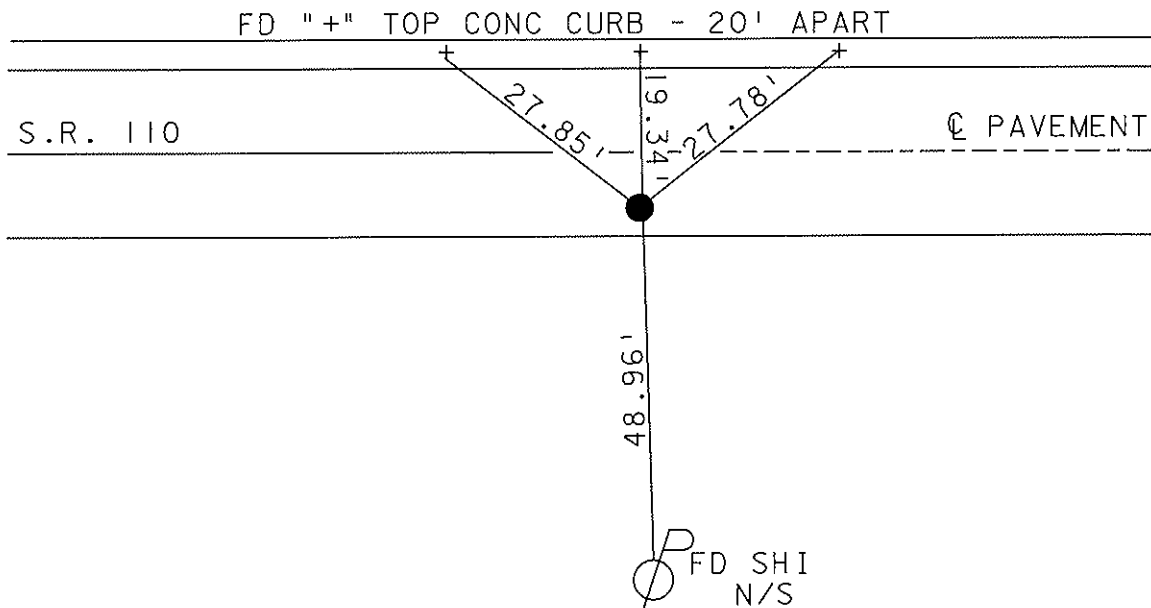
6.1' TO RT. EDGE PAVEMENT

S.L.M. 190+28



RECORD: P.I
 STA: 195+53.41
 DELTA = 5°-25' LT
 Dc = 1°-20'

RESET MAG NAIL & WASHER
 6-19-03
 MB



O.D.O.T. DISTRICT 2 SURVEY OFFICE

PERSONNEL

REFERENCE NO. 80

SHEET 17 OF 34

NOTES LOEHRKE

H.C. CURTIS

R.C. ROMERO

DATE 5-28-92

WEATHER CLEAR

TEMP. 100

ROUTE S.R. 110

COUNTY HENRY

TOWNSHIP HARRISON

SECTION 9

T 5 N R 7 E

Set P.K. / WASHER

10.27-92

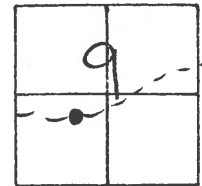
TYPE MONUMENT Sm. R.R. Spike

ON SURFACE - BELOW yes

LEFT - & PAV'T. - RIGHT 4.6

7.3 TO RT EDGE PAVEMENT

S.L.M. 190+28



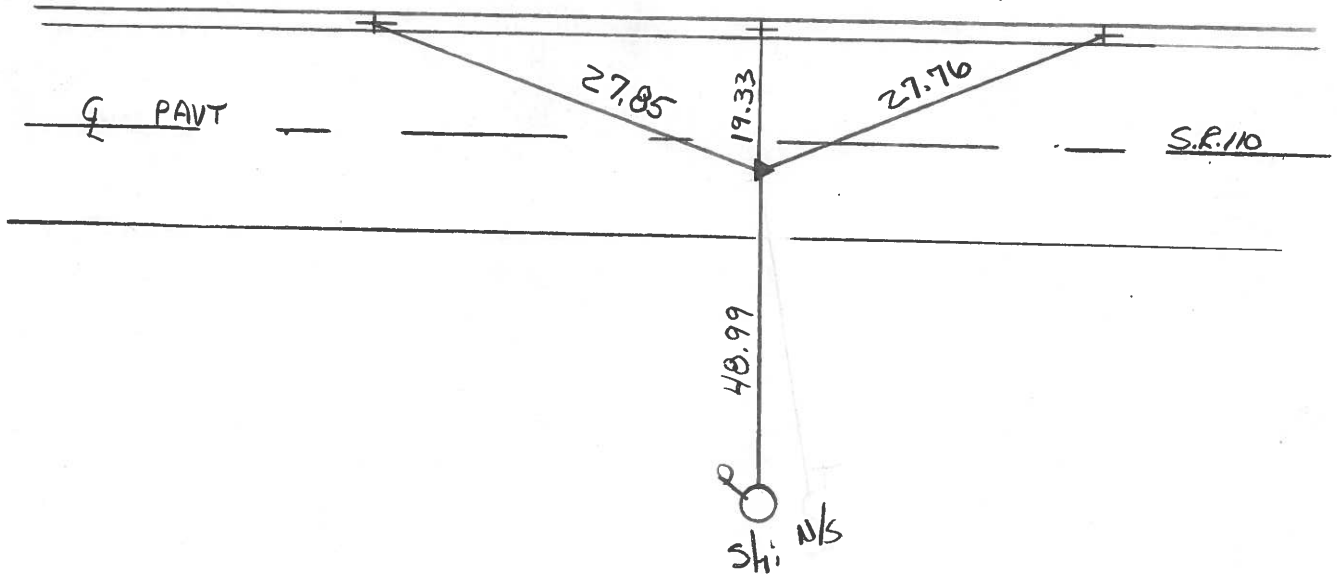
REC. P.O.I.

Sta 195+53.41

$\Delta = 5^{\circ} 25'$ Lt.

D = 1^{\circ} 20'

Fd "4" Top CONC. CURB. - 20' APART



Pole #
H09C1N0Z

County HENRY S.R. 110

Date 2-6-84

Township HARRISON

Weather CLOUDY

Section 9

Temp. + 22°

T5N, R7E

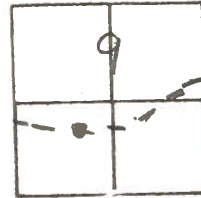
Personnel BARNASEL HC

HOLKEHOLDER AC

HOFFMAN

LOEHRKE

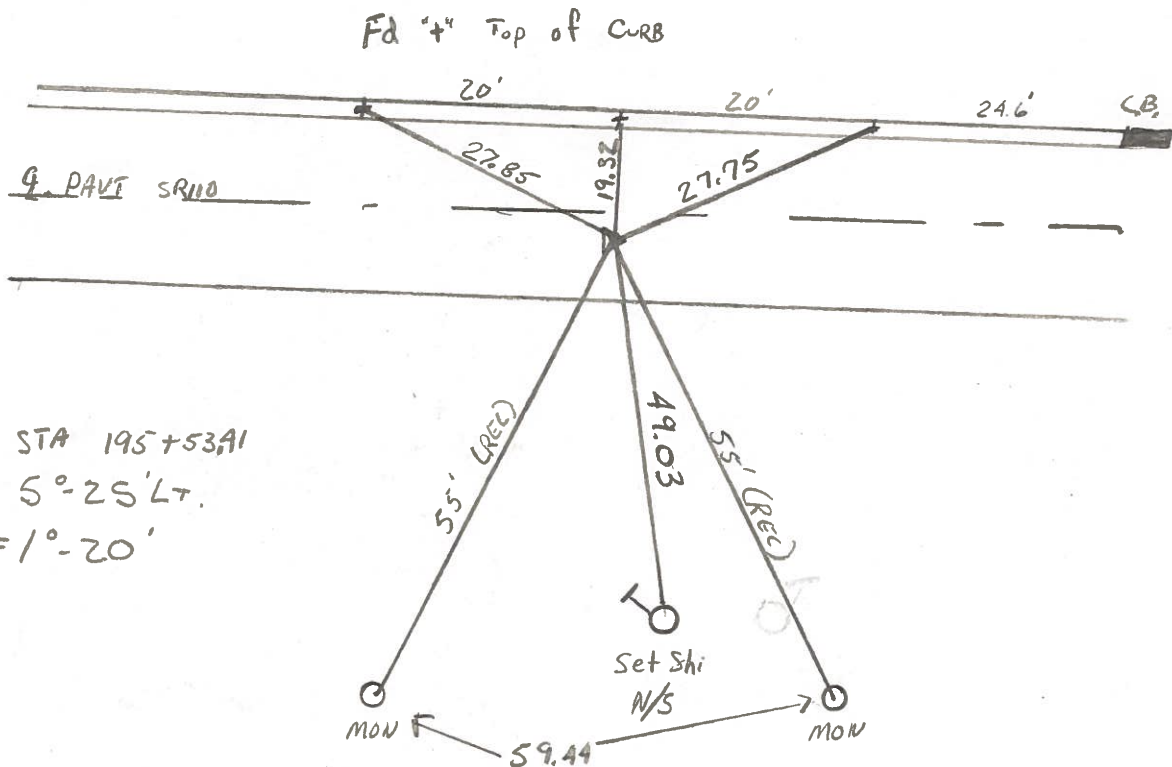
80



SLM = 190 + 39

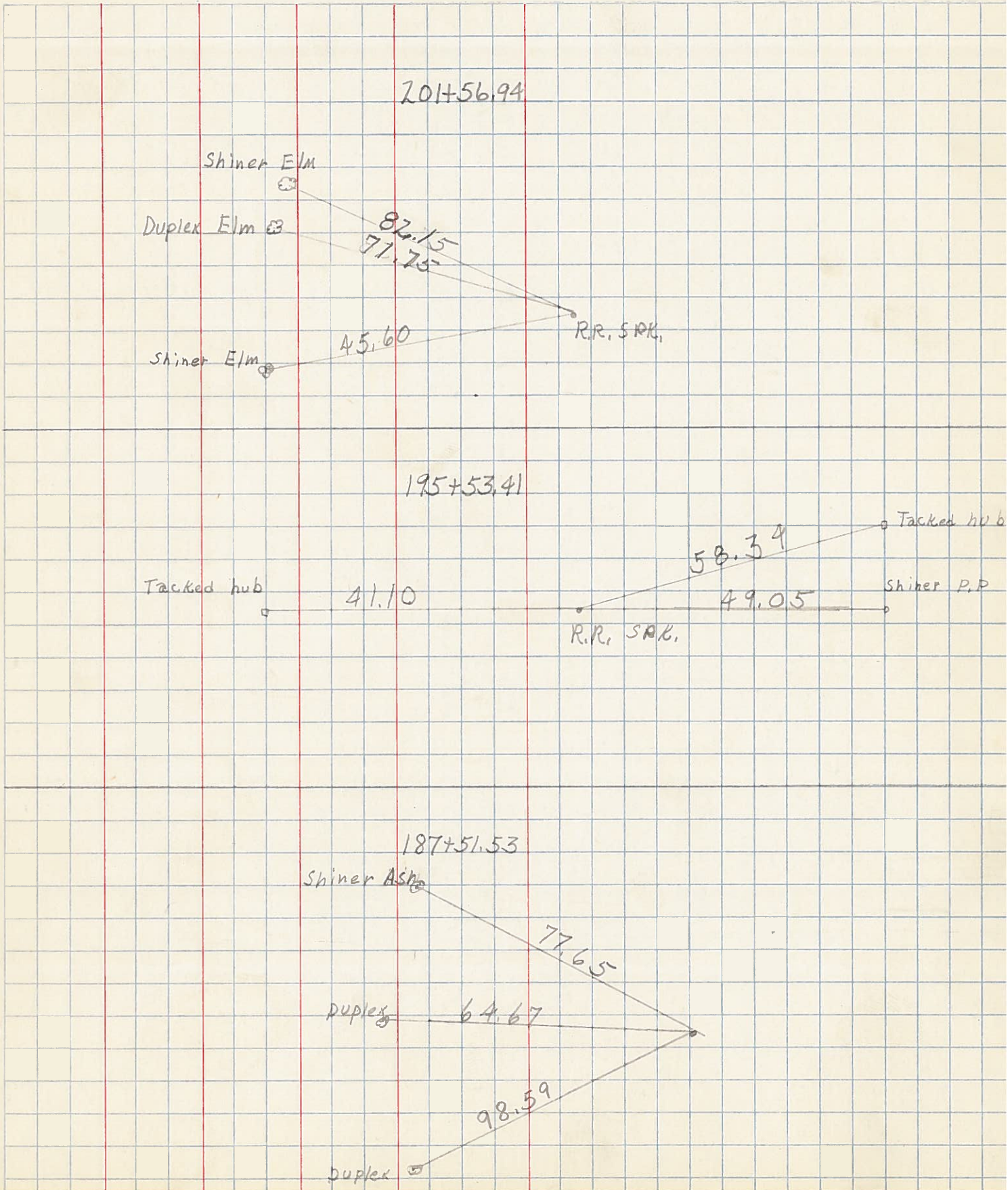
Fd 3/4 PIPE 1" Below SURFACE
5.5' Rt of & PAVT SR 110
6.5' L of REP

SET SMALL P.R.SPK.
6/13/84 M.D.B.

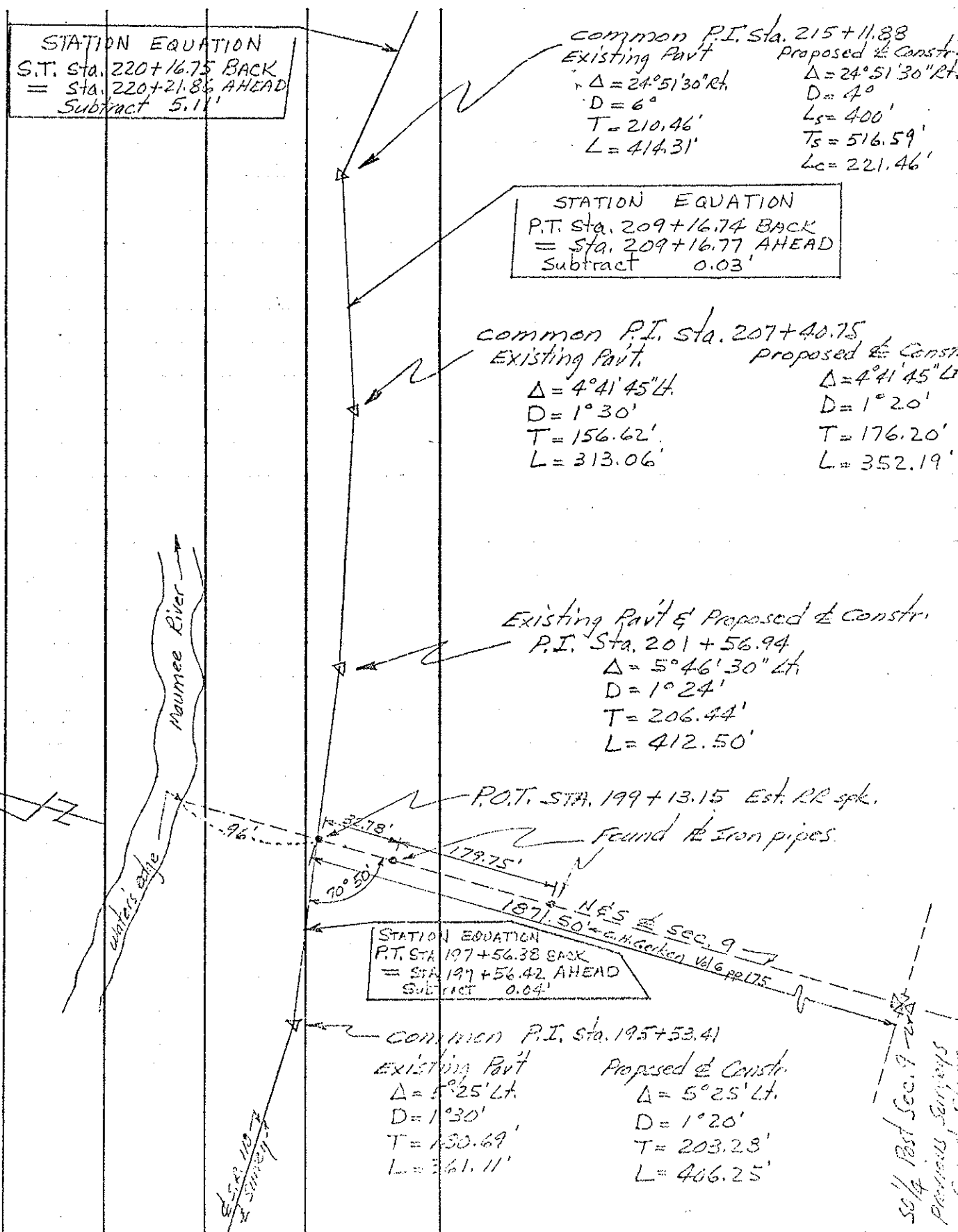


PI STA 195 + 53.91
 $\Delta = 5^\circ - 25' LT.$
 $D = 1^\circ - 20'$

PERSONNEL	TITLE	PERSONNEL	TITLE	COUNTY	Henry	DATE	11-20-58
Ernsthausen				S. R.	110	WEATHER	Clear
Donaldson				SEC.		TEMP.	+50°
Tefft				DESCRIPTION	Ties TO R.I.'s	JOB NO.	



PERSONNEL	TITLE	PERSONNEL	TITLE	COUNTY	DATE
<u>Beach</u>		<u>Rutter</u>		<u>Henry</u>	<u>Dec. 1957</u>
<u>Armbruster</u>	<u>T</u>	<u>Hoff</u>		S. R. <u>110</u>	WEATHER
<u>Harris</u>		<u>Kuchener</u>		SEC. <u>2.22</u>	TEMP
<u>Knape</u>		<u>Delvanthial</u>		ALIGNMENT <u>sheet #4</u>	JOB NO.



STATION EQUATION
 S.T. Sta. 220+16.75 BACK
 = Sta. 220+21.8% AHEAD
 Subtract 5.11'

Common P.I. Sta. 215+11.88
 Existing Pavt Proposed $\frac{1}{2}$ Constr.
 $\Delta = 24^{\circ}51'30'' Lt$ $\Delta = 24^{\circ}51'30'' Lt$
 $D = 4''$ $D = 4''$
 $L_s = 400'$
 $T_s = 516.59'$
 $L_c = 221.46'$

STATION EQUATION
 P.T. Sta. 209+16.74 BACK
 = Sta. 209+16.77 AHEAD
 Subtract 0.03'

Common P.I. Sta. 207+40.75
 Existing Pavt Proposed $\frac{1}{2}$ Constr.
 $\Delta = 4^{\circ}41'45'' Lt$ $\Delta = 4^{\circ}41'45'' Lt$
 $D = 1^{\circ}30'$ $D = 1^{\circ}20'$
 $T = 176.20'$
 $L = 352.19'$

Existing Pavt & Proposed $\frac{1}{2}$ Constr.
 P.I. Sta. 201+56.94
 $\Delta = 5^{\circ}46'30'' Lt$
 $D = 1^{\circ}24'$
 $T = 206.44'$
 $L = 412.50'$

STATION EQUATION
 P.T. Sta. 197+56.38 BACK
 = Sta. 197+56.42 AHEAD
 Subtract 0.04'

Common P.I. Sta. 195+53.41
 Existing Pavt Proposed $\frac{1}{2}$ Constr.
 $\Delta = 5^{\circ}25' Lt$ $\Delta = 5^{\circ}25' Lt$
 $D = 1^{\circ}30'$ $D = 1^{\circ}20'$
 $T = 203.28'$
 $L = 406.25'$

50' Past Sec. 9 - 20' Past
 Previous Surveys
 Found Same

50' Past Sec. 9 - 20' Past
 Previous Surveys
 Found Same

PERSONNEL	TITLE	PERSONNEL	TITLE
Beach		Hoff	
Ambrose		Harris	
Ruffer		Ruchener	
Knape		Delvarthal	

COUNTY Henry DATE Dec. 1957
 S. R. 110 WEATHER _____
 SEC. 2.22 TEMP. _____

DESCRIPTION _____ CONTROL POINTS 3 JOB NO. _____

