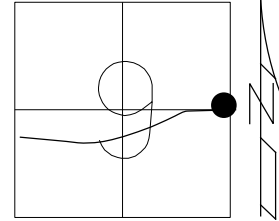


O.D.O.T. DISTRICT 2 SURVEY OFFICE (USE ONLY)

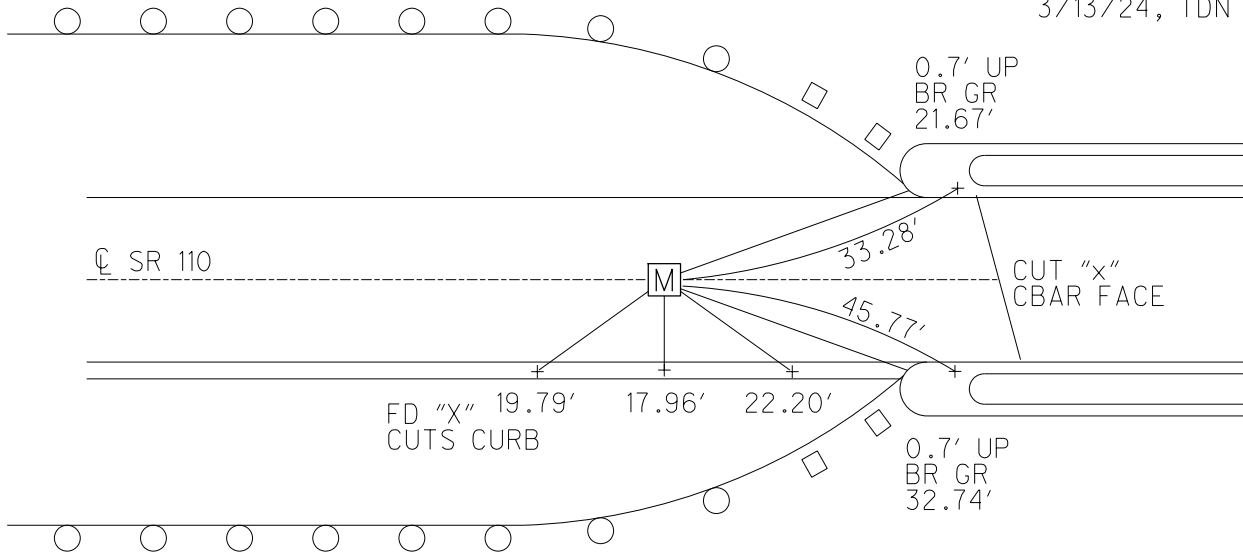
PERSONNEL _____ REFERENCE NO. 9 E SHEET 37 OF 51
 NOTES MILLER DATE 3/13/24 ROUTE SR 110
 H.C. NIESE WEATHER SUNNY COUNTY HENRY
 R.C. RHOADES TEMP. 55° TOWNSHIP HARRISON
 SECTION 9
 DWG BY RHOADES PID 94321 T 5 N R 7 E

TYPE MONUMENT MONBOX W/ 1" IPIN
 ON SURFACE - ~~BELOW~~ ON
 OFFSET CL PAVEMENT 0.6' LT : ~~RT~~
11.6' TO RT EDGE PAVEMENT
 STATION: 220+82.88

HORIZ.DATUM: NAD83(2011) GEOID: NAVD88 2012A
 GRID: NORTHING: 637921.884 EASTING: 1541204.208



RECORD:
 FD MON BOX
 11/1/04, MB
 FD MON BOX
 W/ 1" IPIN
 REF E9
 6/15/18, JLL
 FD MONBOX
 W/1" IPIN
 REF E9
 5/6/21, JFO
 7/19/21, DSA
 CKREF E9
 3/13/24, TDN



O.D.O.T. DISTRICT 2 SURVEY OFFICE (USE ONLY)

PERSONNEL

REFERENCE NO. 9 E

SHEET 30 OF 44

NOTES ASTON

DATE 8/17/23

ROUTE SR 110

H.C. NIESE

WEATHER WINDY

COUNTY HENRY

R.C. RHOADES

TEMP. 75°

TOWNSHIP HARRISON

AUBLE

DWG BY RHOADES

PID 94321

SECTION 9

T 5 N R 7 E

TYPE MONUMENT MONBOX W/ 1" IPIN

ON SURFACE - ~~BELOW~~ ON

OFFSET CL PAVEMENT 0.6' LT : ~~RT~~

11.6' TO RT EDGE PAVEMENT

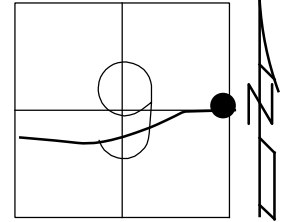
STATION: 220+82.88

HORZ.DATUM: NAD83(2011)

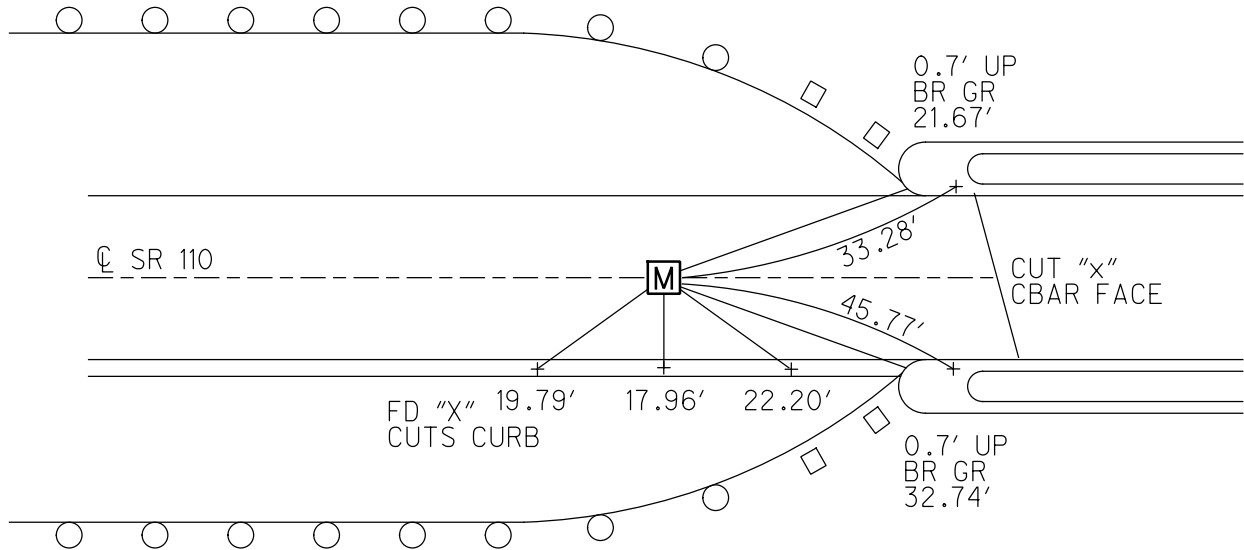
GEOID: NAVD88 2012A

GRID: NORTHING: 637921.883

EASTING: 1541204.199



RECORD:
 FD MON BOX
 11/1/04, MB
 FD MON BOX
 W/ 1" IPIN
 REF E9
 6/15/18, JLL
 FD MONBOX
 W/1" IPIN
 REF E9
 5/6/21, JFO
 7/19/21, DSA



O.D.O.T. DISTRICT 2 SURVEY OFFICE (USE ONLY)

PERSONNEL

REFERENCE NO. 9 E

SHEET 28 OF 43

NOTES RHOADES

DATE 6/15/18

ROUTE SR 110

H.C. LEU

WEATHER SUNNY

COUNTY HENRY

R.C. TRENKA

TEMP. 73°

TOWNSHIP HARRISON

DWG BY NIESE PID 104940

SECTION 9

T 5 N R 7 E

TYPE MONUMENT MONBOX W/ 1" IPIN

ON SURFACE - ~~BELOW~~ ON

OFFSET C PAVEMENT 0.6' LT : ~~RT~~

11.6' TO RT EDGE PAVEMENT

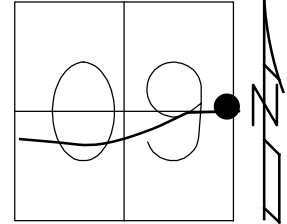
STATION: 220+72.29

HORZ.DATUM: NAD83(2011)

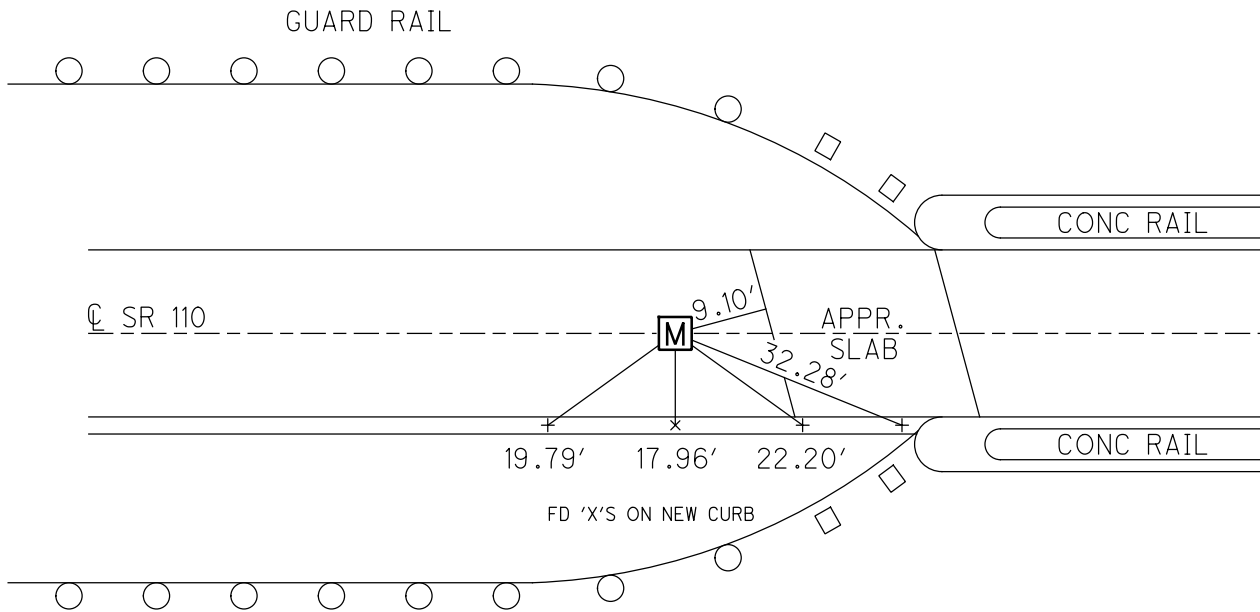
GEOID: NAVD88 2012A

GRID: NORTHING: 637921.872

EASTING: 1541204.184



RECORD:
 FD MON BOX
 11/1/04, MB
 FD MON BOX
 W/ 1" IPIN
 REF E9
 6/15/18, JLL
 FD MONBOX
 7/19/21, DSA



O.D.O.T. DISTRICT 2 SURVEY OFFICE (USE ONLY)

PERSONNEL

REFERENCE NO. 9 E

SHEET 28 OF 43

NOTES RHOADES

DATE 6-15-18

ROUTE SR 110

H.C. LEU

WEATHER SUNNY

COUNTY HENRY

R.C. TRENKA

TEMP. 73°

TOWNSHIP HARRISON

SECTION 9

DWG BY AUBLE

PID 104940

T 5 N R 7 E

TYPE MONUMENT MON BOX W/ 1" IPIN

ON SURFACE - ~~BELOW~~ ON

OFFSET ☉ PAVEMENT 0.6' LT : RT

11.6' TO RT EDGE PAVEMENT

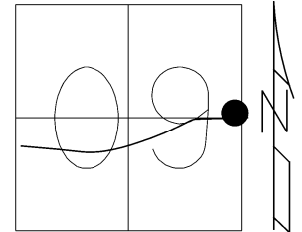
STATION: 220+70

HORIZ.DATUM: NAD83(2011)

GEOID: 2012A

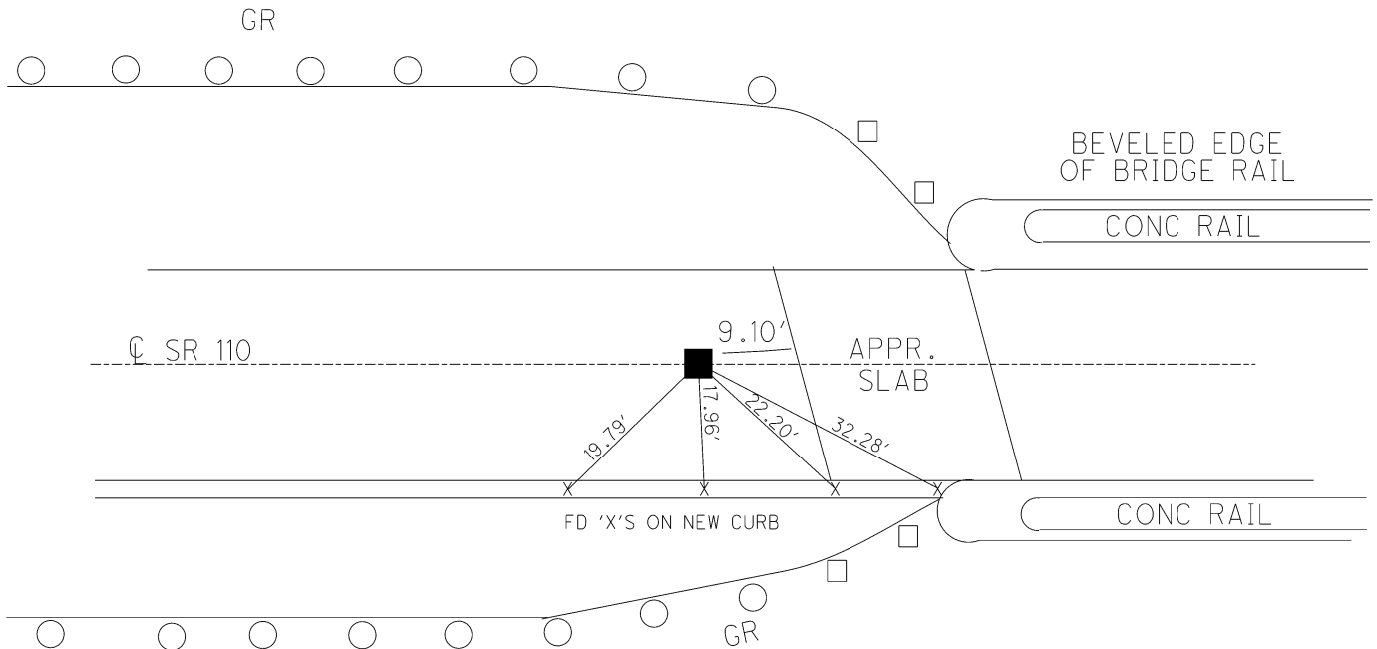
GRID: NORTHING: 637921.872

EASTING: 1541204.184



RECORD:

FD MON BOX
11-1-04, MB
FD MON BOX
W/ 1" IPIN
REFE9
6-15-18, JLL



O.D.O.T. DISTRICT 2 SURVEY OFFICE

PERSONNEL

REFERENCE NO. 9-E

SHEET 16 OF 26

NOTES BARNHISEL

DATE 11/01/04

ROUTE S.R. 110

H.C. CANTERBURY

WEATHER CLOUDY

COUNTY HENRY

R.C. HOMAN

TEMP. +50°

TOWNSHIP HARRISON

SECTION 18

T 5 N R 7 E

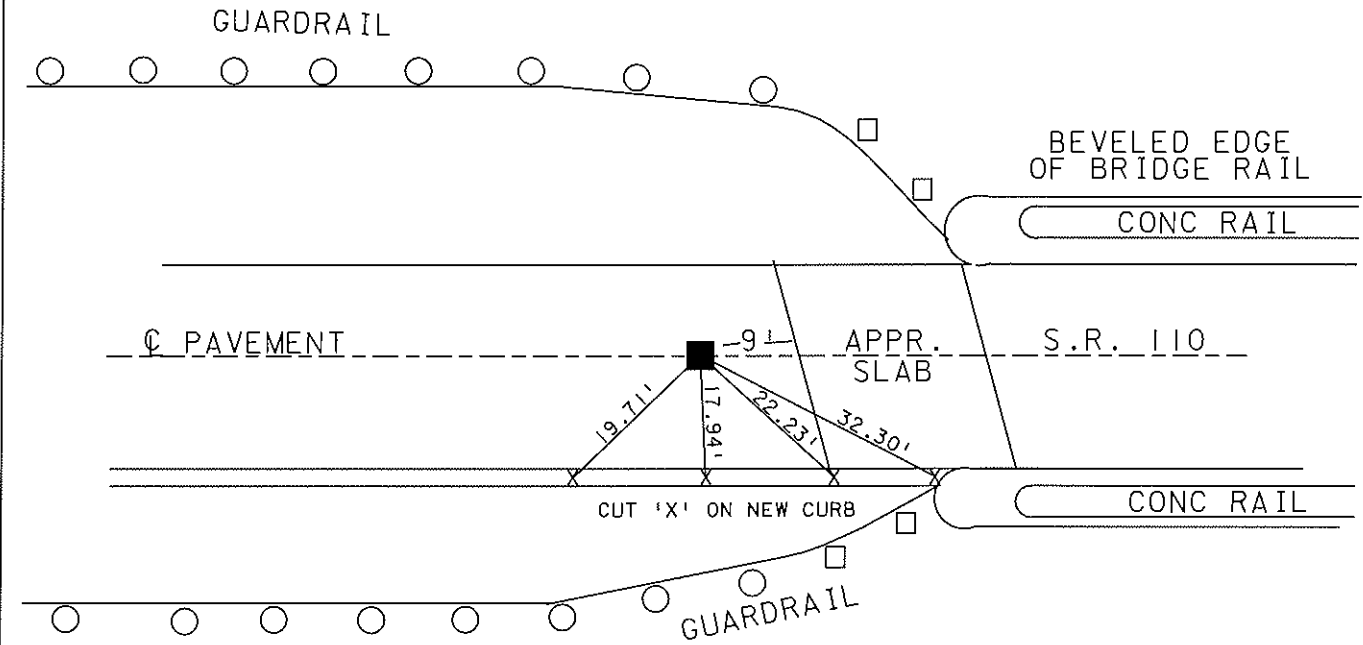
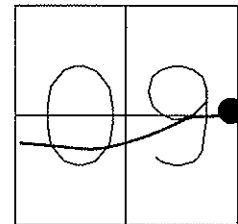
TYPE MONUMENT MON BOX

ON SURFACE - ~~BELOW~~ YES

LEFT - CL PAV'T - ~~RIGHT~~ 0.6'

11.6 TO RT. TO CURB

S.L.M. 220+70



Bridge Rehab Project 2009

O.D.O.T. DISTRICT 2 SURVEY OFFICE

PERSONNEL

REFERENCE NO. 9-E

SHEET 16 OF 26
~~3~~ OF ~~34~~

NOTES LOEHRKE

DATE 5-27-92

ROUTE S.R. 110

H.C. CURTIS

WEATHER CLEAR

COUNTY HENRY

R.C. ROMETO

TEMP. +60°

TOWNSHIP HARRISON

SECTION 18

T 5 N R 7 E

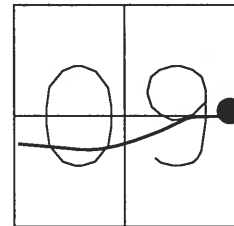
TYPE MONUMENT MON BOX

ON SURFACE - ~~BELOW~~ YES

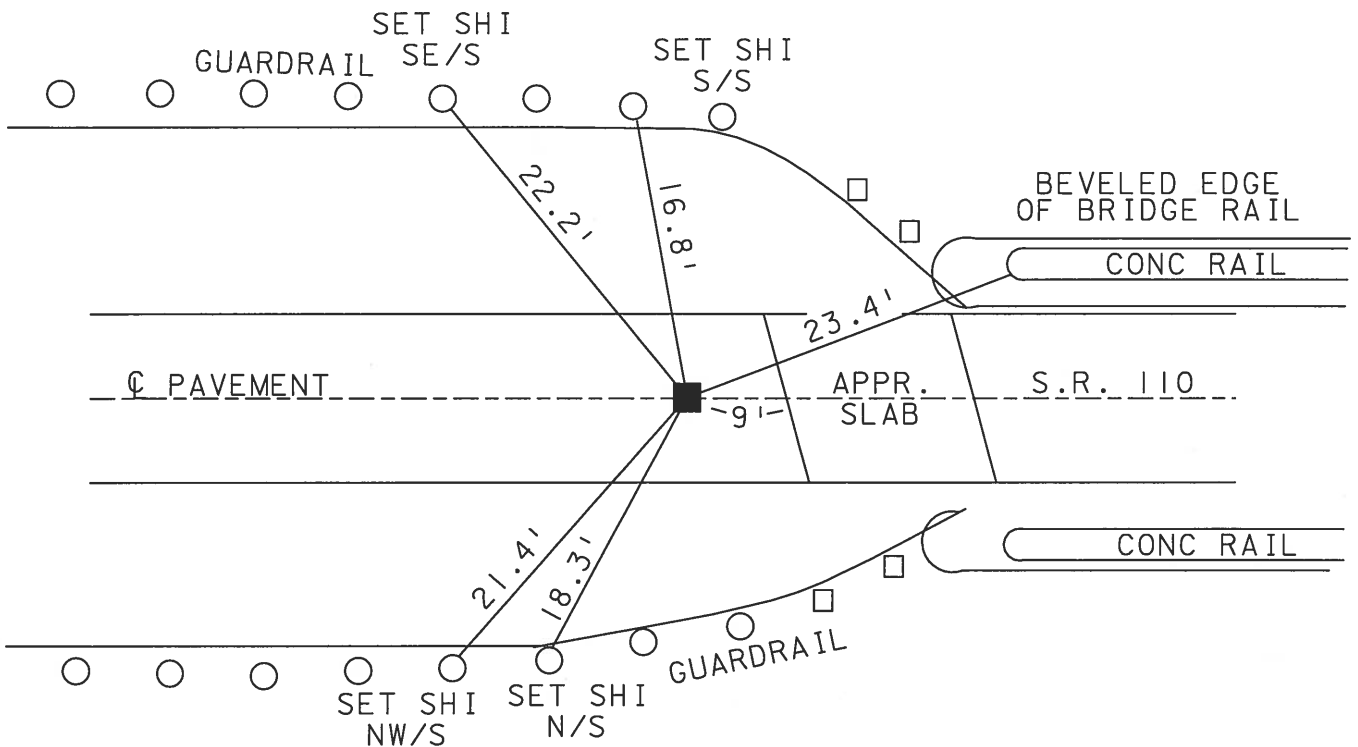
~~LEFT~~ - Q PAV'T - ~~RIGHT~~ YES

13.8 TO RT. TO CURB

S.L.M. 220+70



NOTE: DID NOT OPEN BOX.
06-19-03
MD



O.D.O.T. DISTRICT 2 SURVEY OFFICE

PERSONNEL _____

REFERENCE NO. 9E

SHEET 24 OF 34

NOTES LOEHRKE

H.C. CURTIS

R.C. ROMETO

DATE 5-28-92

WEATHER CLEAR

TEMP. +70

ROUTE S.R. 110

COUNTY Henry

TOWNSHIP HARRISON

SECTION 9

T 5 N R 7 E

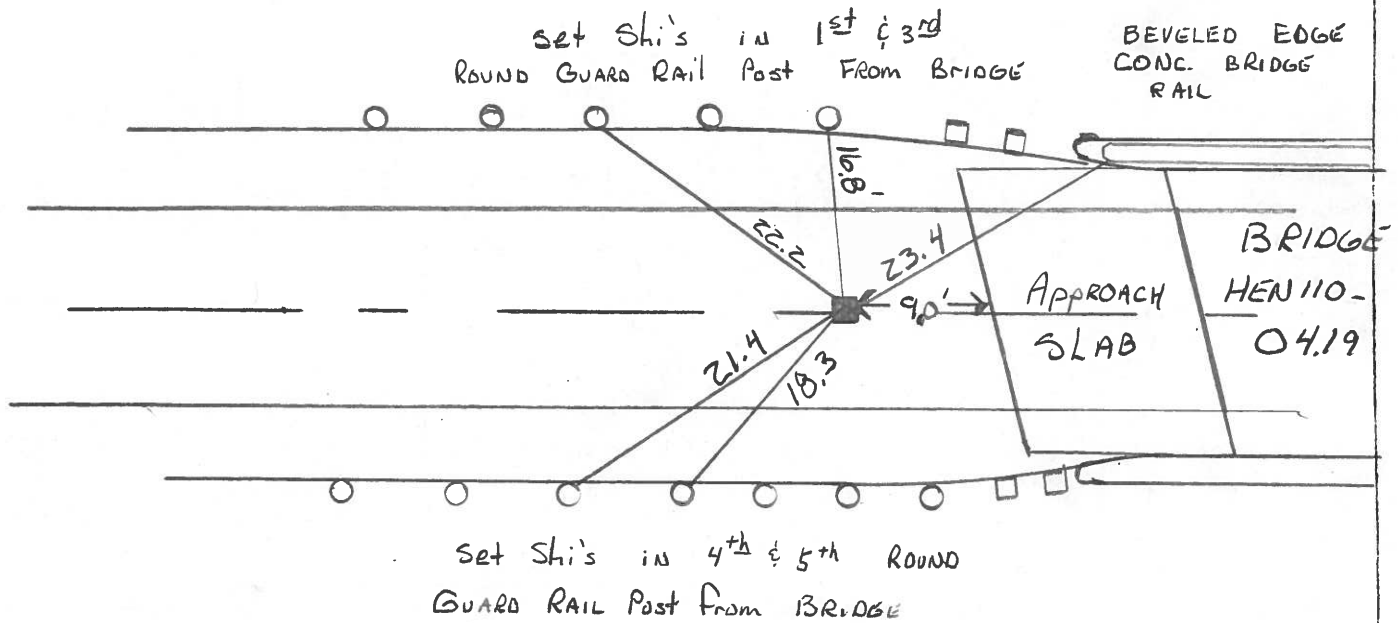
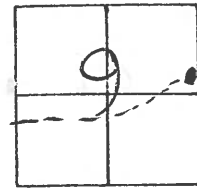
TYPE MONUMENT Mon Box OK 10-27-92

ON SURFACE - ~~BELOW~~ Yes

~~LEFT- & PAV'T. - RIGHT~~ Yes

11.5 TO EDGE PAVEMENT

S.L.M. 220 +70



O.D.O.T. DISTRICT 2 SURVEY OFFICE

SHEET _____ OF _____

County HENRY S.R. 110

Date 2-7-84

Township HARRISON

Weather FLURRIES

Section 9

Temp. +18°

T5N, R7E

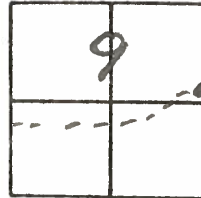
Personnel BARNHISEL HC

9E

HOUSE HOLDER RC

HOFFMAN

LOEHRKE



FA MON BOX @ SURFACE
DID NOT OPEN, REF TO CENTER
ON & PAVT SR110
11.3 To REP
11.1 To LEP

SLM 220+80

ADJUSTED TO GRADE

