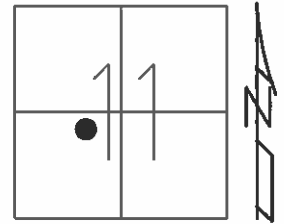


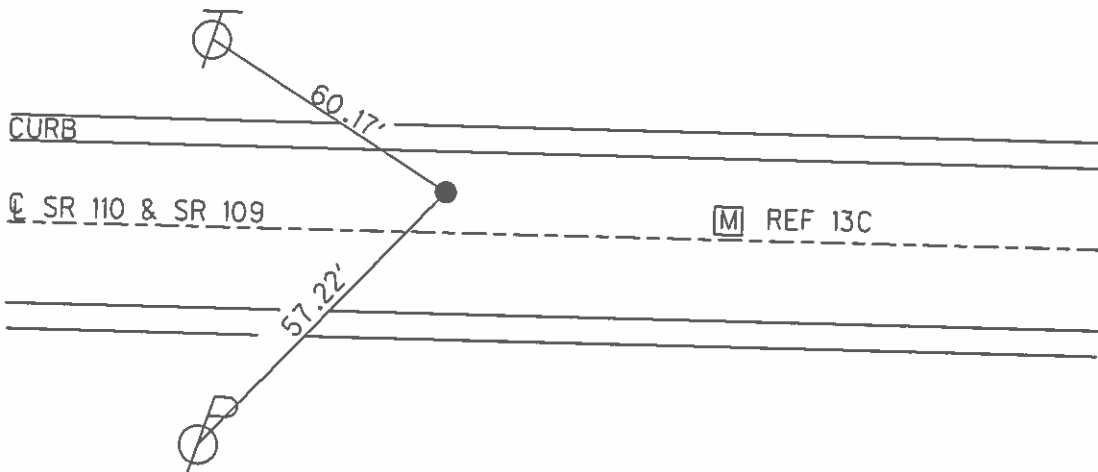
O.D.O.T. DISTRICT 2 SURVEY OFFICE (USE ONLY)

PERSONNEL _____ REFERENCE NO. 13 D SHEET 6 OF 58
 NOTES HOMAN DATE 08/13/02 ROUTE SR 109
 H.C. ROUSOS WEATHER CLOUDY COUNTY HENRY
 R.C. BEAUMONT TEMP. 80° TOWNSHIP HARRISON
 _____ SECTION 11
 _____ T 5 N R 7 E

TYPE MONUMENT _____ PK/WASHER _____
 ON SURFACE - ~~BELOW~~ _____ ON _____
 LEFT - ~~C PAV'T~~ - ~~RIGHT~~ _____ 6.3'
 _____ 4' TO LT EDGE PAVEMENT
 S.L.M. _____ 306+95
 Grid: Northing: _____ Easting: _____



RECORD: P.I.
 $\Delta=3^{\circ}17'30''RT$
 SET MAG/WASHER
 09/20/02, DCH

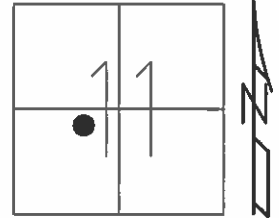


O.D.O.T. DISTRICT 2 SURVEY OFFICE (USE ONLY)

PERSONNEL _____ REFERENCE NO. 13 D SHEET 6 OF 13

NOTES HOMAN DATE 8-13-02 ROUTE SR 109
H.C. ROUSOS WEATHER CLOUDY COUNTY HENRY
R.C. BEAUMONT TEMP. 80°F TOWNSHIP HARRISON
SECTION 11
T 5 N R 7 E

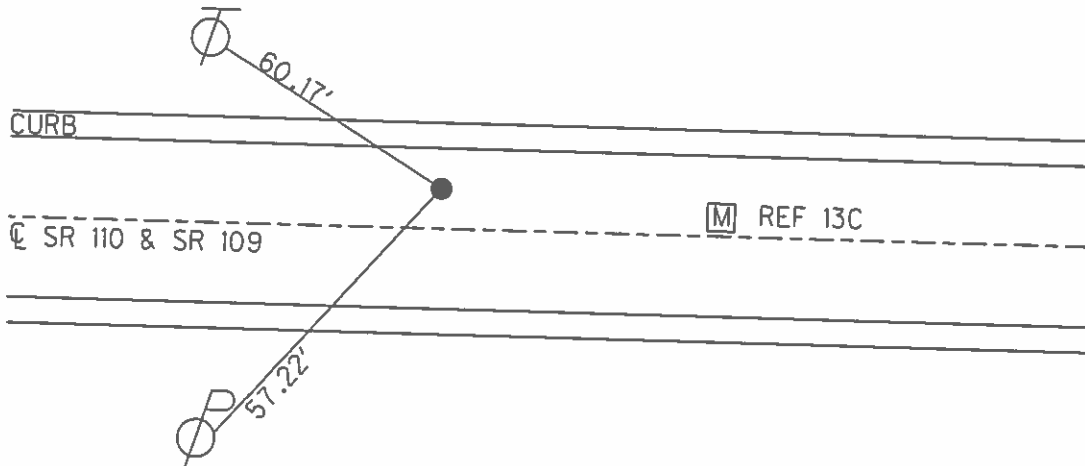
TYPE MONUMENT PK/WASHER
ON SURFACE - ~~BELOW~~ ON _____
LEFT - ☉ PAV'T - ~~RIGHT~~ 6.3'
4' TO LT EDGE PAVEMENT
S.L.M. 306+95



Grid: Northing: - _____ Easting: - _____

RECORD: P.I.
 $\Delta=3^{\circ}17'30''RT$

SET MAG/WASHER
9-20-02, DCH



Q.D.O.T. DISTRICT 2 SURVEY OFFICE

SHEET _____ OF _____

County HENRY S.R. 109 & SR 110

Date 3-23-84

Township HARRISON

Weather clear

Section 11

Temp. +25°

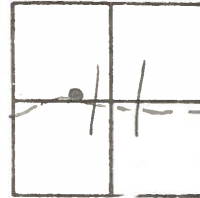
TSN, RZE

Personnel HOFFMAN

LOERKE

HOUSEHOLDER

BARNHISEL



Fd P.K. Nail 1" Below Surface

S.L.M. 899+69

6.2' Lt. of ϕ Pavt

2.4' to Lt. EP

15.4' to Rt. EP

Record: P.I.

$\Delta = 3^{\circ}-17'-30''$

SET PK/WASHER

8-24-84

S.W.H.

