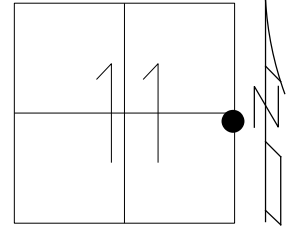


O.D.O.T. DISTRICT 2 SURVEY OFFICE (USE ONLY)

PERSONNEL _____ REFERENCE NO. 14 SHEET 8 OF 56
 NOTES ASTON DATE 5/25/23 ROUTE SR 110
 H.C. AUBLE WEATHER CLOUDY COUNTY HENRY
 R.C. MILLER TEMP. 55° TOWNSHIP HARRISON
 DWG BY RHOADES PID PAVTRAIN SECTION 11
 T 5 N R 7 E

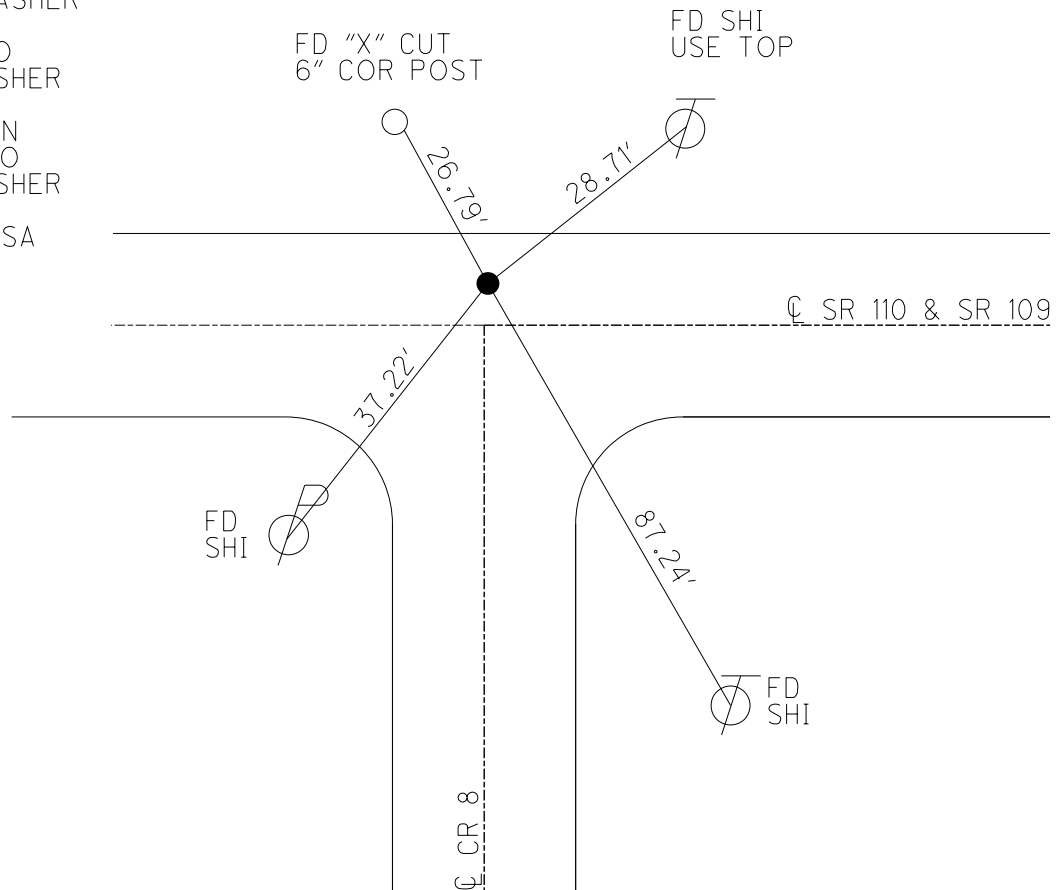
TYPE MONUMENT MAG/WASHER
 ON SURFACE - ~~BELOW~~ ON
 OFFSET CL PAVEMENT 4.9' LT : ~~RT~~
4.8' TO LT EDGE PAVEMENT
 STATION: 327+82.95

HORZ. DATUM: NAD83 2011 GEOID: NAVD88 2018
 GRID: NORTHING: 637385.432 EASTING: 1551901.663



RECORD: P.I.
 $\Delta = 0^\circ 50' 26''$ RT
 SET P.K./WASHER
 10-11-90, MB
 SET MAG/WASHER
 12-2-02, DCH
 SET MAG/WASHER
 REF14
 8-31-15, JFO
 FD MAG/WASHER
 REF38
 6/17/21, TDN
 10/5/21, JFO
 FD MAG/WASHER
 REF14
 12/20/21, DSA

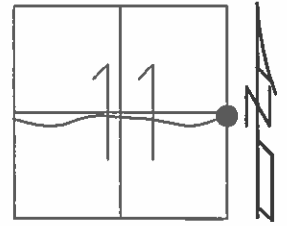
NOTE: REF 38 SR 109



O.D.O.T. DISTRICT 2 SURVEY OFFICE (USE ONLY)

PERSONNEL	REFERENCE NO.	<u>14</u>	SHEET	<u>9</u>	OF	<u>58</u>
NOTES	<u>RHOADES</u>	DATE	<u>09/03/15</u>	ROUTE	<u>SR 110</u>	
H.C.	<u>O'DONNELL</u>	WEATHER	<u>FAIR</u>	COUNTY	<u>HENRY</u>	
R.C.	<u>RHOADES</u>	TEMP.	<u>70°</u>	TOWNSHIP	<u>HARRISON</u>	
				SECTION	<u>11</u>	
				T	<u>5</u>	R
				E	<u>7</u>	E

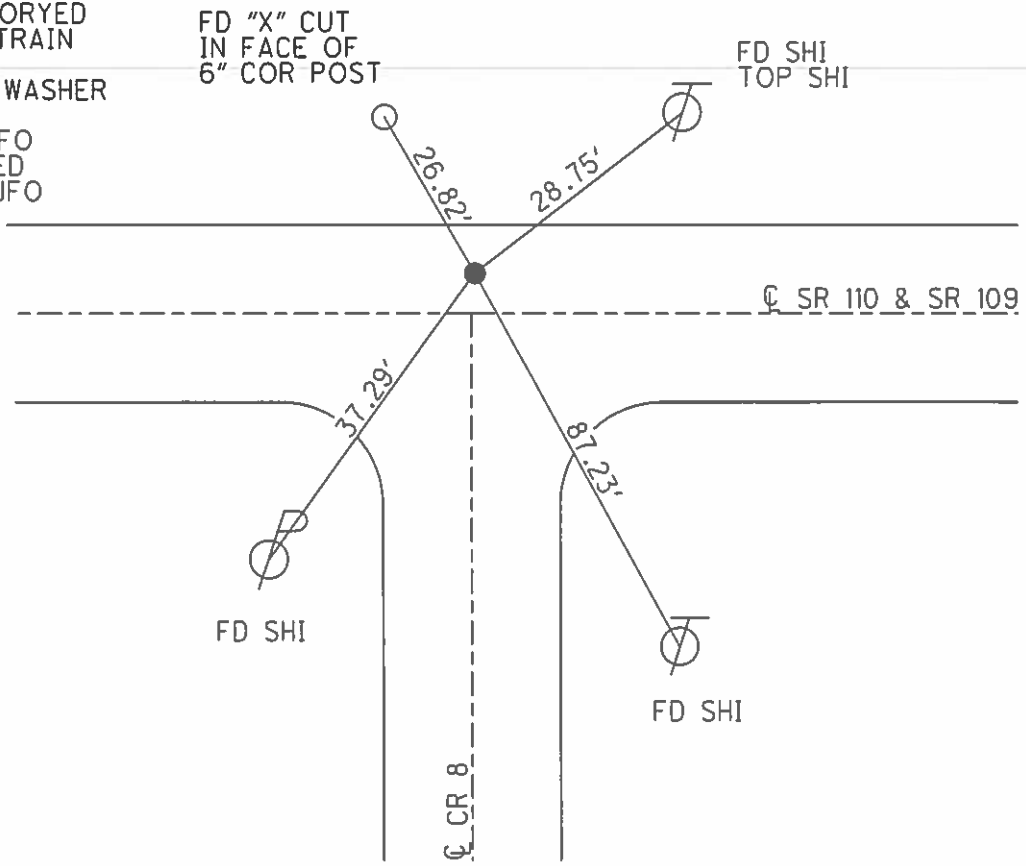
TYPE MONUMENT MAG/WASHER
 ON SURFACE - ~~BELOW~~ ON
 LEFT - ~~C PAV'T~~ - ~~RIGHT~~ 4.9'
4.8' TO LT EDGE PAVEMENT
 S.L.M. 334+62
 Grid: Northing: 637385.443 Easting: 1551901.638



RECORD: P.I.
 $\Delta=0^{\circ}50'26''RT$
 SET PK/WASHER
 10/11/90, MB
 SET MAG/WASHER
 12/02/02, DCH
 NOTE:
 POINT DESTROYED
 BY PAVING TRAIN
 TIES CROSS
 RESET MAG/WASHER
 GPS, REF14
 08/31/15, JFO
 NOT COVERED
 08/03/16, JFO

FD "X" CUT
 IN FACE OF
 6" COR POST

FD SHI
 TOP SHI



O.D.O.T. DISTRICT 2 SURVEY OFFICE

PERSONNEL _____

REFERENCE NO. 14/2210

SHEET _____ OF _____

NOTES BARNHISEL

H.C. " " "

DATE 9-28-90

ROUTE 109 & 110

R.C. HOFFMAN

WEATHER Clear

COUNTY HENRY

TEMP. +65°

TOWNSHIP HARRISON

SECTION 11

T. 5 N R. 7 E

TYPE MONUMENT P.K. & WASHER

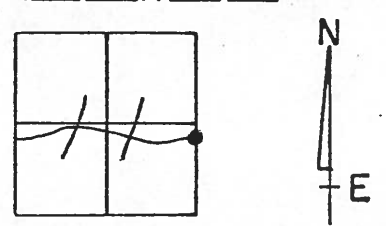
ON SURFACE - BELOW YES

LEFT - 0 PAV'T. - RIGHT 4.9

4.8 TO LT EDGE PAVEMENT

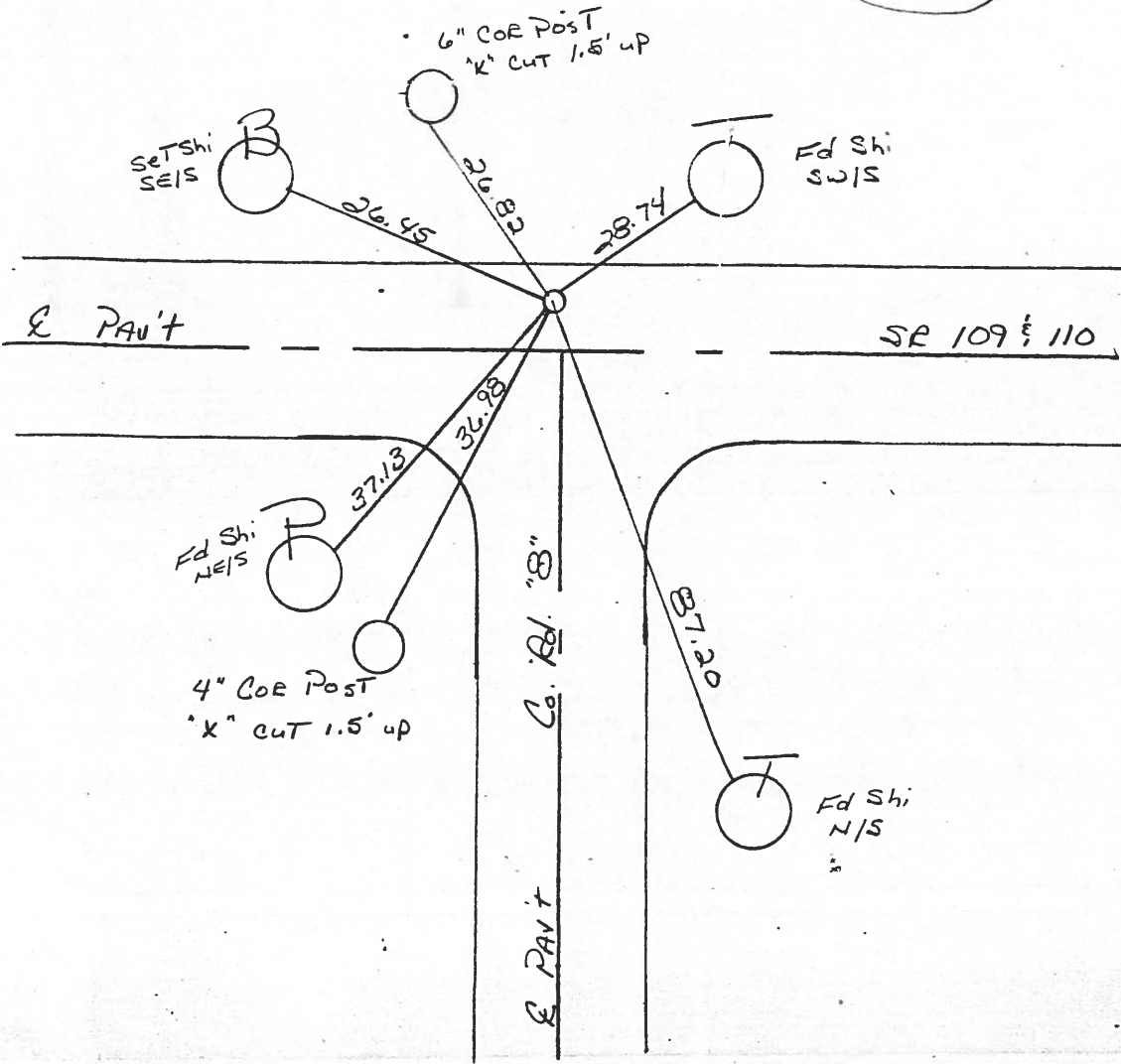
S.L.M. 927+22

334+62/6.34



RECORD: P.I.
A: 50-26 Rt

Set P.K. & WASHER
10-11-90
mB



Q.D.O.T. DISTRICT 2 SURVEY OFFICE

SHEET _____ OF _____

County HENRY S.R. 109 & SR110

Date 3-23-84

Township HARRISON

Weather clear

Section 11

Temp. +25°

T5N, R1E

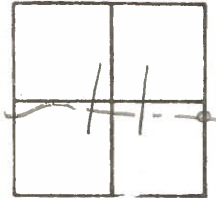
Personnel HOFFMAN

LOEHRKE

HOUSEHOLDER

BARNHISEL

14 SR 110

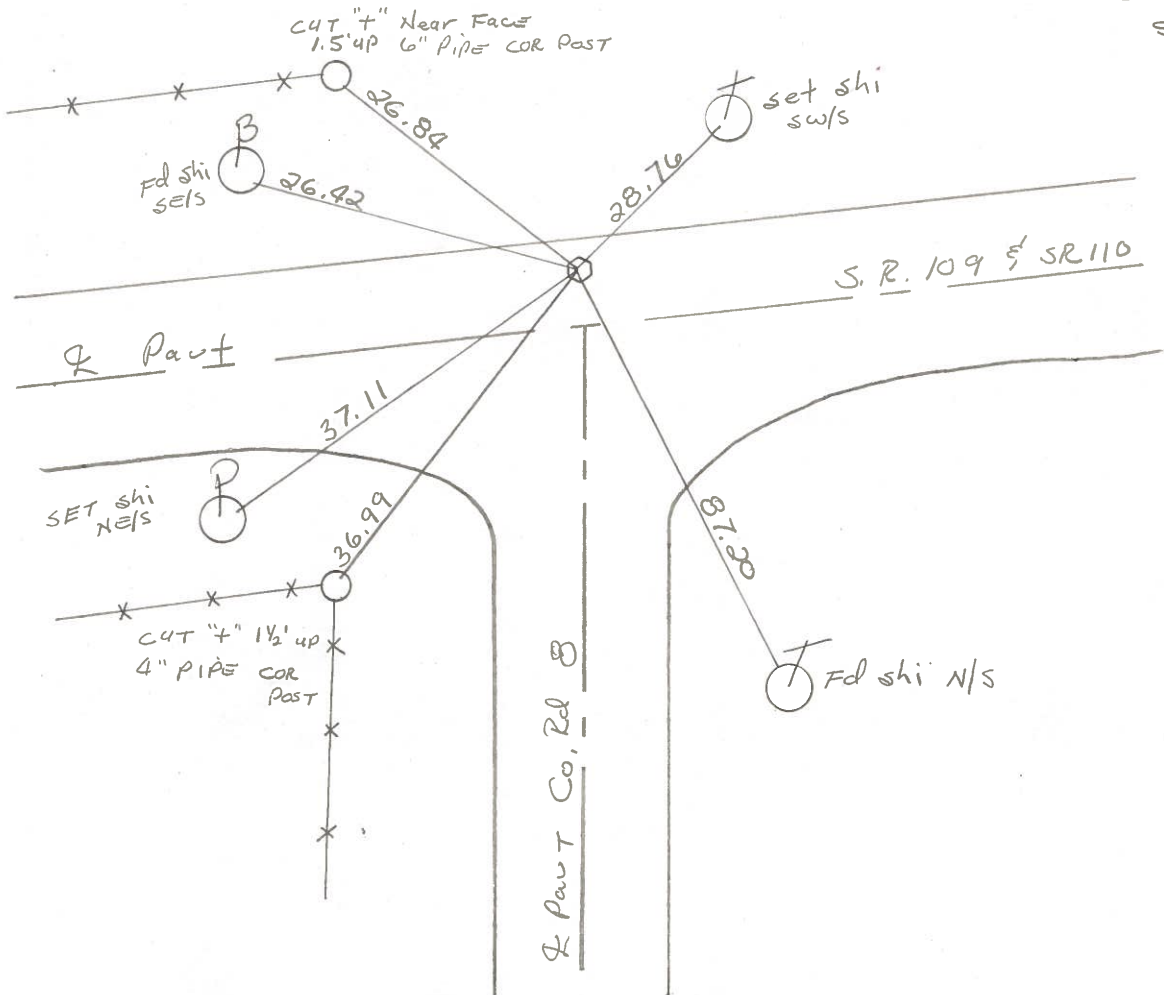


Fd R.R. SPK 1 1/2" Below surface
 4.4' Lt. of & PAUT SR 109-110
 5.0' TO Lt. EP
 OAL & PAUT Co. Rd 8

SLM 927 +38

Record: P.I.
 $\Delta = 5^\circ - 26' RT.$

SET PK/WASHER
 8-24-84
 SWH.



PERSONNEL	TITLE	PERSONNEL	TITLE	COUNTY	DATE
BURNSIDE				HENRY	3-28-74
SMITH				S. R. 109 & 110	WEATHER Cloudy
BOWERS				SEC.	TEMP. +34°
MEAD					

DESCRIPTION & CONTROL TIES JOB NO. _____

