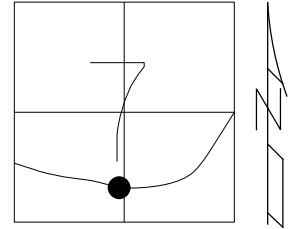


O.D.O.T. DISTRICT 2 SURVEY OFFICE (USE ONLY)

PERSONNEL _____ REFERENCE NO. 16 F SHEET 22 OF 61
 NOTES NIESE DATE 3/25/24 ROUTE SR 110
 H.C. MILLER WEATHER CLOUDY COUNTY HENRY
 R.C. RHOADES TEMP. 45° TOWNSHIP DAMASCUS
 DWG BY RHOADES PID 114846 SECTION 7
 T 5 N R 8 E

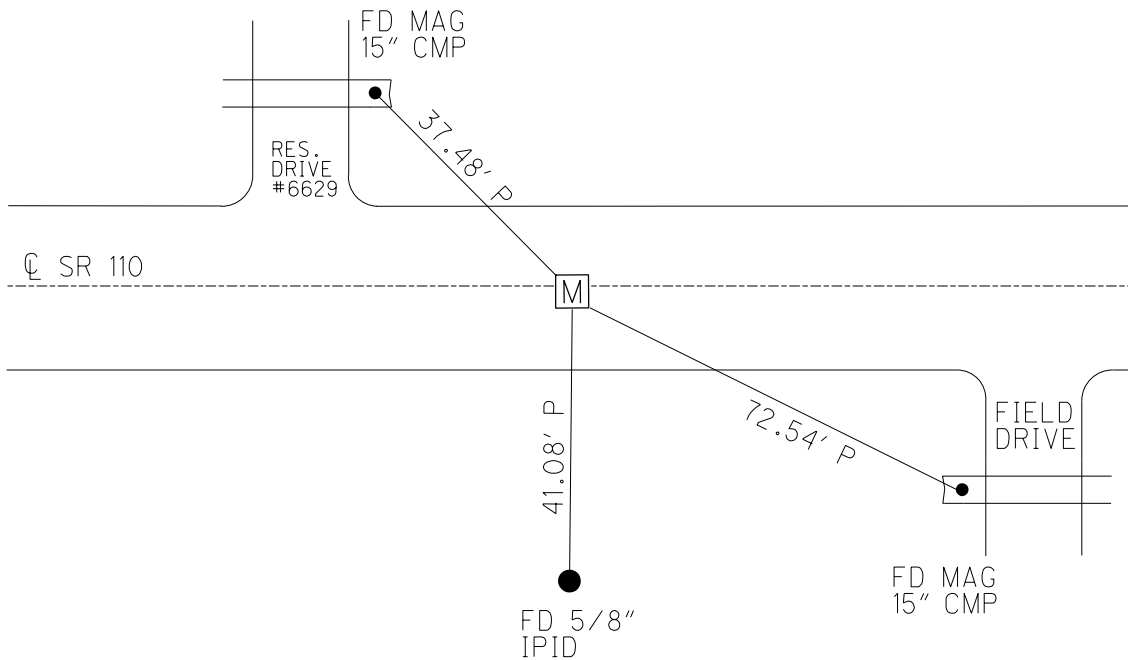
TYPE MONUMENT MONBOX W/1" IPIN
 ON SURFACE - ~~BELOW~~ ON
 OFFSET \varnothing PAVEMENT ON LT : RT
11.8' TO LT EDGE PAVEMENT
 STATION: 407+62.82

HORIZ.DATUM: NAD83 2011 GEOID: NAVD88 2018
 GRID: NORTHING: 635588.476 EASTING: 1559592.305



RECORD: T.S.
 FD MONBOX
 MONREFF16
 9/01/15, JFO
 FD MONBOX
 W/ 1" IPIN
 REFF16
 12/21/21, DSA
 CKREFF16
 3/25/24, JAM

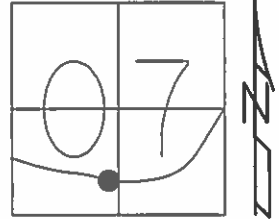
HEN LPD
 N: 492474.097
 E: 194058.750



O.D.O.T. DISTRICT 2 SURVEY OFFICE (USE ONLY)

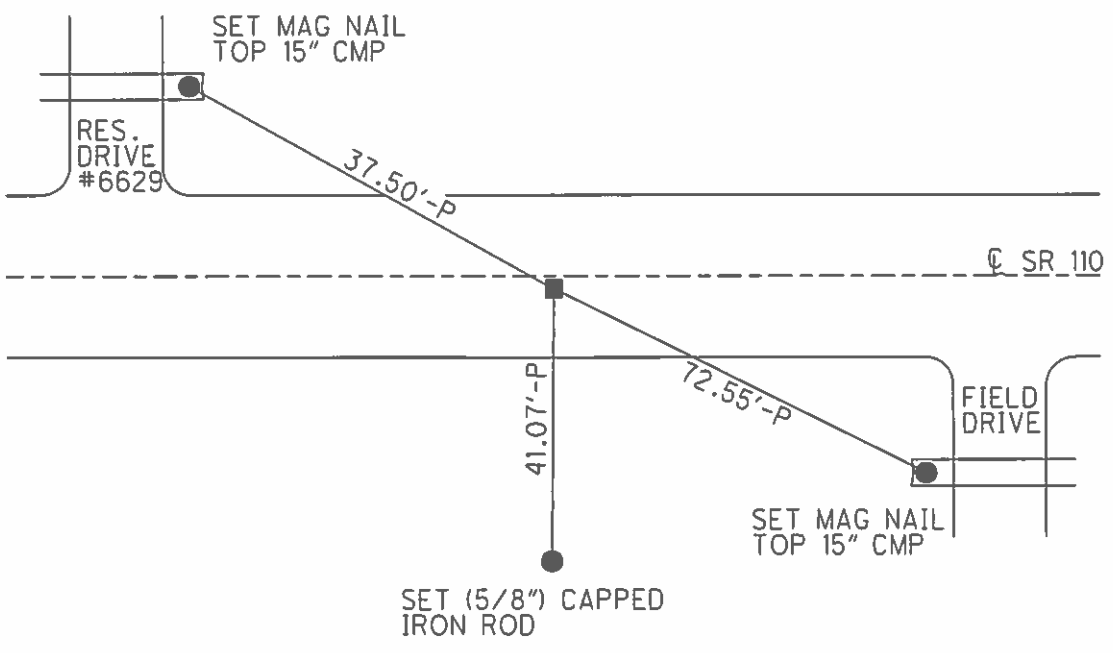
PERSONNEL _____ REFERENCE NO. 16F SHEET 23 OF 58
 NOTES BARNHISEL DATE 09/15/04 ROUTE SR 110
 H.C. CANTERBURY WEATHER CLEAR COUNTY HENRY
 R.C. HOOKER TEMP. 75° TOWNSHIP DAMASCUS
 SECTION 07
 T 5 N R 8 E

TYPE MONUMENT MON. BOX W/IRON PIN
 ON SURFACE - ~~BELOW~~ ON
 LEFT - ~~C PAV'T~~ - ~~RIGHT~~ 0.5'
11.8' TO LT EDGE PAVEMENT
 S.L.M. 415+84



Grid: Northing: 63558.450 Easting: 1559592.344

RECORD: TS. PLAN
 STA: 414+63.54
 NOTE: THIS MON. BOX
 SET DURING NEW CONST.
 IN 1988
 GPS, MONREFF16
 09/01/15, JFO
 FD MON BOX COVERED
 08/03/16, JFO



O.D.O.T. DISTRICT 2 SURVEY OFFICE

PERSONNEL

REFERENCE NO. 16 F. ¹⁹⁸⁸

SHEET 8 OF 37

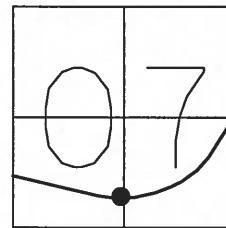
NOTES BARNHISEL
 H.C. CANTERBURY
 R.C. HOOKER

DATE 09/15/04
 WEATHER CLEAR
 TEMP. +75°

ROUTE S.R. 110
 COUNTY HENRY
 TOWNSHIP DAMASCUS
 SECTION 07

T 5 N R 8 E

TYPE MONUMENT MON BOX W/IRON PIN
 ON SURFACE - ~~BELOW~~ YES
 LEFT - Q PAV'T - ~~RIGHT~~ 0.5'
11.8' TO LT EDGE PAVEMENT
 S.L.M. 415+84



RECORD: TS.
 PLAN STA: 414+63.54

