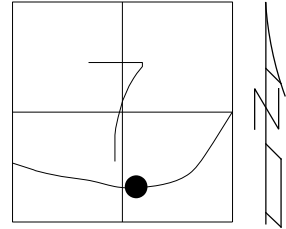


O.D.O.T. DISTRICT 2 SURVEY OFFICE (USE ONLY)

PERSONNEL \_\_\_\_\_ REFERENCE NO. 16 G SHEET 23 OF 61  
 NOTES NIESE DATE 3/25/24 ROUTE SR 110  
 H.C. MILLER WEATHER CLOUDY COUNTY HENRY  
 R.C. RHOADES TEMP. 45° TOWNSHIP DAMASCUS  
 DWG BY RHOADES PID 114846 SECTION 7  
 T 5 N R 8 E

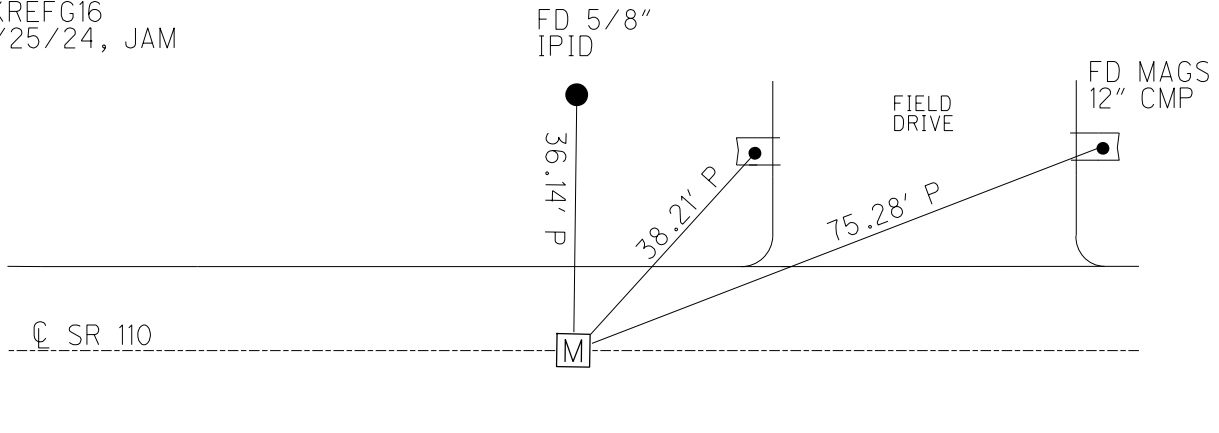
TYPE MONUMENT MONBOX W/1" IPIN  
 ON SURFACE - ~~BELOW~~ ON  
 OFFSET  $\odot$  PAVEMENT ON LT : RT  
10.5' TO LT EDGE PAVEMENT  
 STATION: 410+62.82



HORZ. DATUM: NAD83 2011 GEOID: NAVD88 2018  
 GRID: NORTHING: 635593.001 EASTING: 1559892.208

RECORD: S.C.  
 FD MONBOX  
 MONREFG16  
 9/01/15, JFO  
 FD MONBOX  
 W/1" IPIN  
 REFG16  
 12/21/21, DSA  
 CKREFG16  
 3/25/24, JAM

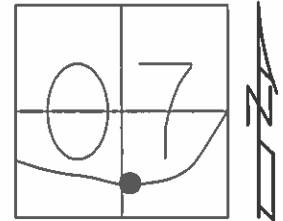
HEN LPD  
 N: 492484.126  
 E: 194358.540



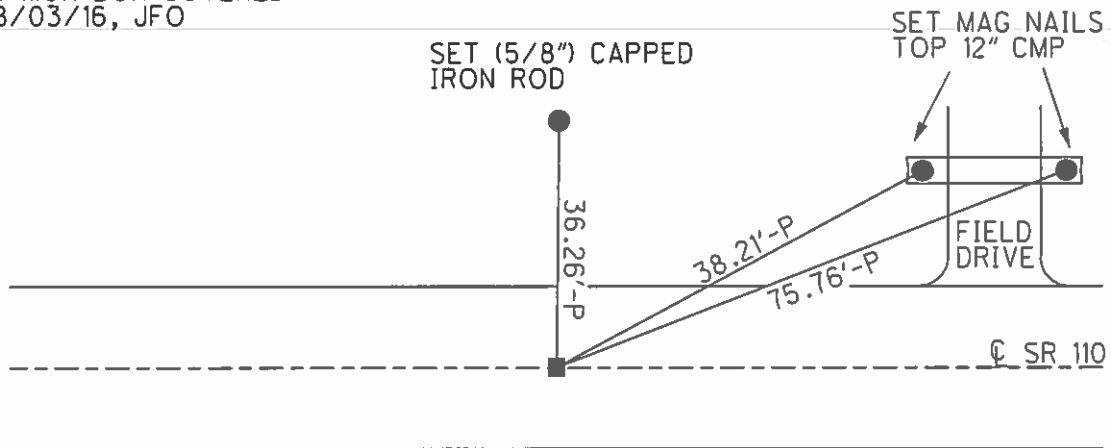
O.D.O.T. DISTRICT 2 SURVEY OFFICE (USE ONLY)

PERSONNEL \_\_\_\_\_ REFERENCE NO. 16G SHEET 24 OF 58  
 NOTES BARNHISEL DATE 09/17/04 ROUTE SR 110  
 H.C. CANTERBURY WEATHER CLEAR COUNTY HENRY  
 R.C. BARNHISEL TEMP. 75° TOWNSHIP DAMASCUS  
 \_\_\_\_\_ SECTION 07  
 \_\_\_\_\_ T 5 N R 8 E

TYPE MONUMENT MON. BOX W/IRON PIN  
 ON SURFACE - ~~BELOW~~ \_\_\_\_\_ ON \_\_\_\_\_  
~~LEFT~~ - ☉ PAV'T - ~~RIGHT~~ \_\_\_\_\_ ON \_\_\_\_\_  
10.5' TO LT EDGE PAVEMENT  
 S.L.M. 418+84  
 Grid: Northing: 635592.920 Easting: 1559892.186



RECORD: SC. PLAN  
 STA: 417+63.54  
 NOTE: THIS MON. BOX SET  
 DURING NEW CONST. IN 1988  
 GPS, MONREFG16  
 09/01/15, JFO  
 FD MON BOX COVERED  
 08/03/16, JFO



O.D.O.T. DISTRICT 2 SURVEY OFFICE

PERSONNEL

REFERENCE NO. 166<sup>1988</sup>

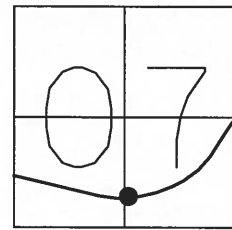
SHEET 9 OF 37

NOTES BARNHISEL  
 H.C. CANTERBURY  
 R.C. BARNHISEL

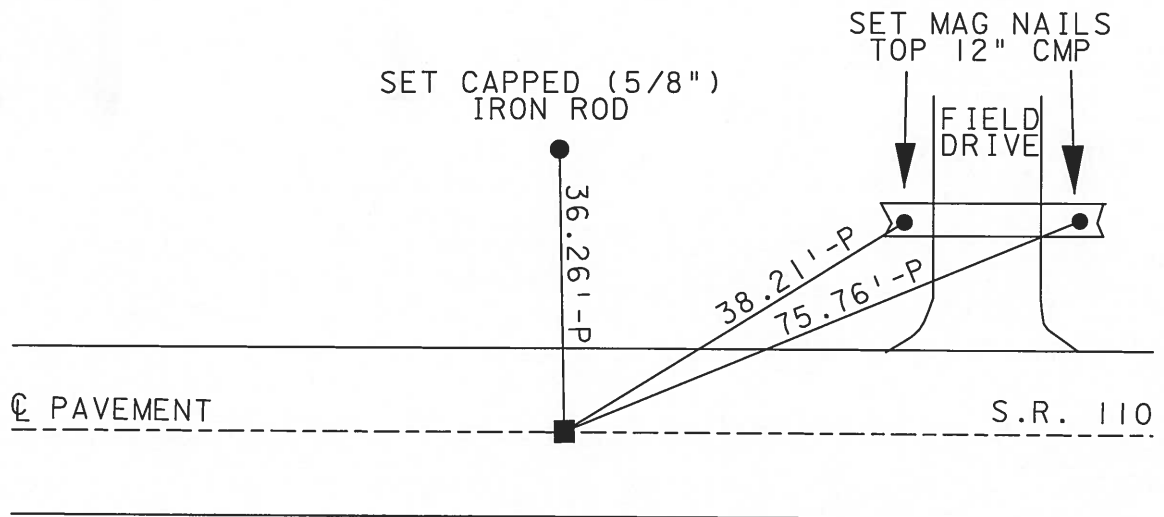
DATE 09/17/04  
 WEATHER CLEAR  
 TEMP. +75°

ROUTE S.R. 110  
 COUNTY HENRY  
 TOWNSHIP DAMASCUS  
 SECTION 07  
T 5 N R 8 E

TYPE MONUMENT MON BOX W/IRON PIN  
 ON SURFACE - ~~BELOW~~ YES  
~~LEFT - C PAV'T - RIGHT~~ YES  
10.5' TO LT EDGE PAVEMENT  
 S.L.M. 418+84



RECORD: SC.  
 PLAN STA: 417+63.54



NOTE: THIS MON. BOX SET DURING  
 NEW CONST. IN 1988.